



US00D374865S

United States Patent [19]
Drinkwater

[11] **Patent Number: Des. 374,865**

[45] **Date of Patent: **Oct. 22, 1996**

[54] **CABLING UNIT**

5,029,704 7/1991 Stillinger 174/135 X

[75] Inventor: **Ian Drinkwater**, Bury St. Edmonds,
United Kingdom

Primary Examiner—Joel Sincavage
Attorney, Agent, or Firm—Kirschstein, et al.

[73] Assignee: **President Office Furniture Ltd.**,
United Kingdom

[57] **CLAIM**

[**] Term: **14 Years**

The ornamental design for a cabling unit, as shown and described.

[21] Appl. No.: **37,770**

DESCRIPTION

[22] Filed: **Apr. 20, 1995**

[30] **Foreign Application Priority Data**

FIG. 1 is a top, front and left end perspective view of a cabling unit showing my new design;

Oct. 20, 1994 [GB] United Kingdom 2042729

[52] **U.S. Cl.** **D13/154**

FIG. 2 is a left end elevational view thereof, the right end view being a mirror image;

[58] **Field of Search** D13/154, 155;
174/48, 72 A, 72 TR, 135; 248/68.1

FIG. 3 is a front elevational view thereof; and,

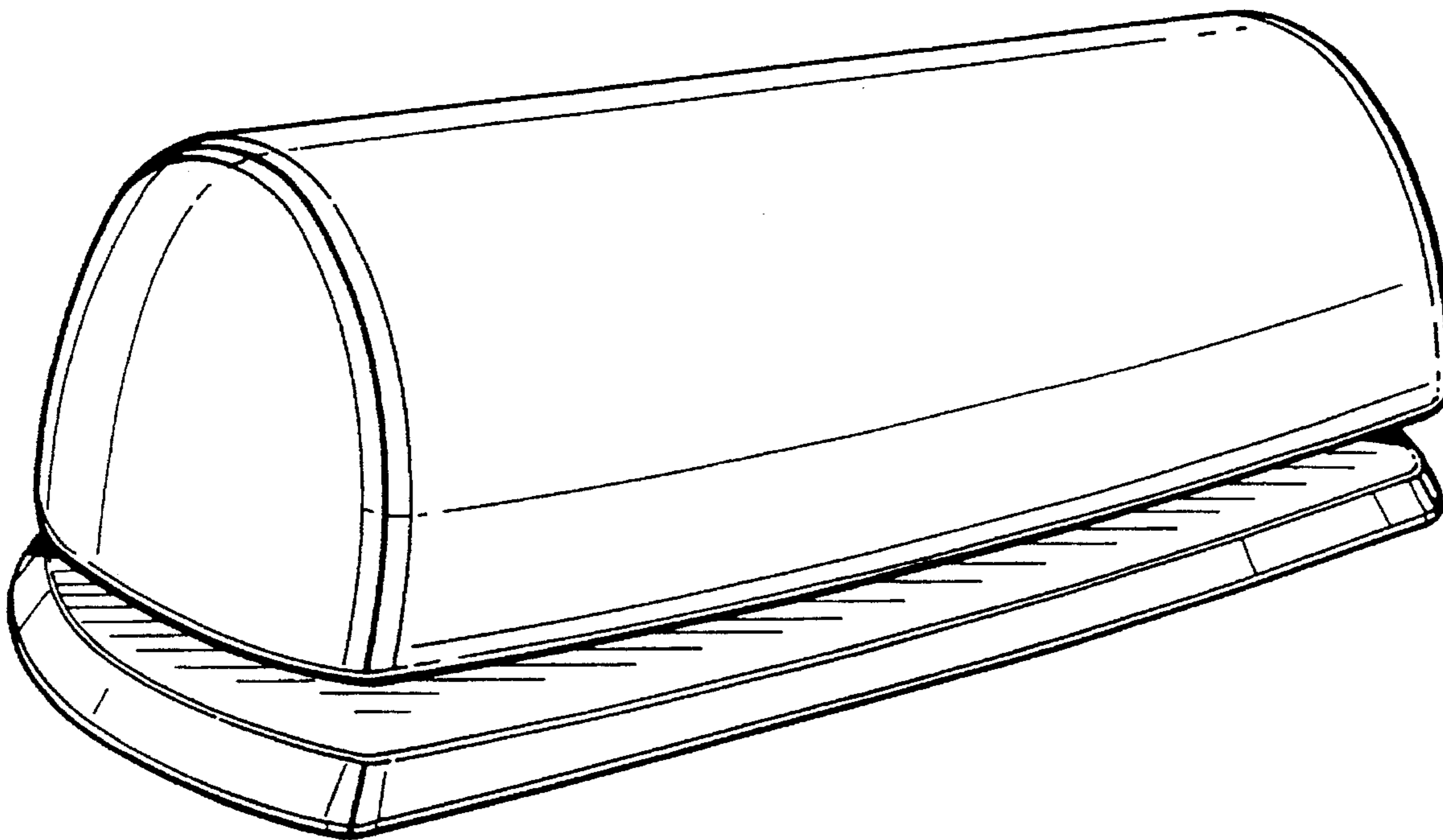
[56] **References Cited**

FIG. 4 is a rear elevational view thereof.

U.S. PATENT DOCUMENTS

4,756,940 7/1988 Payne et al. 174/135 X

1 Claim, 2 Drawing Sheets



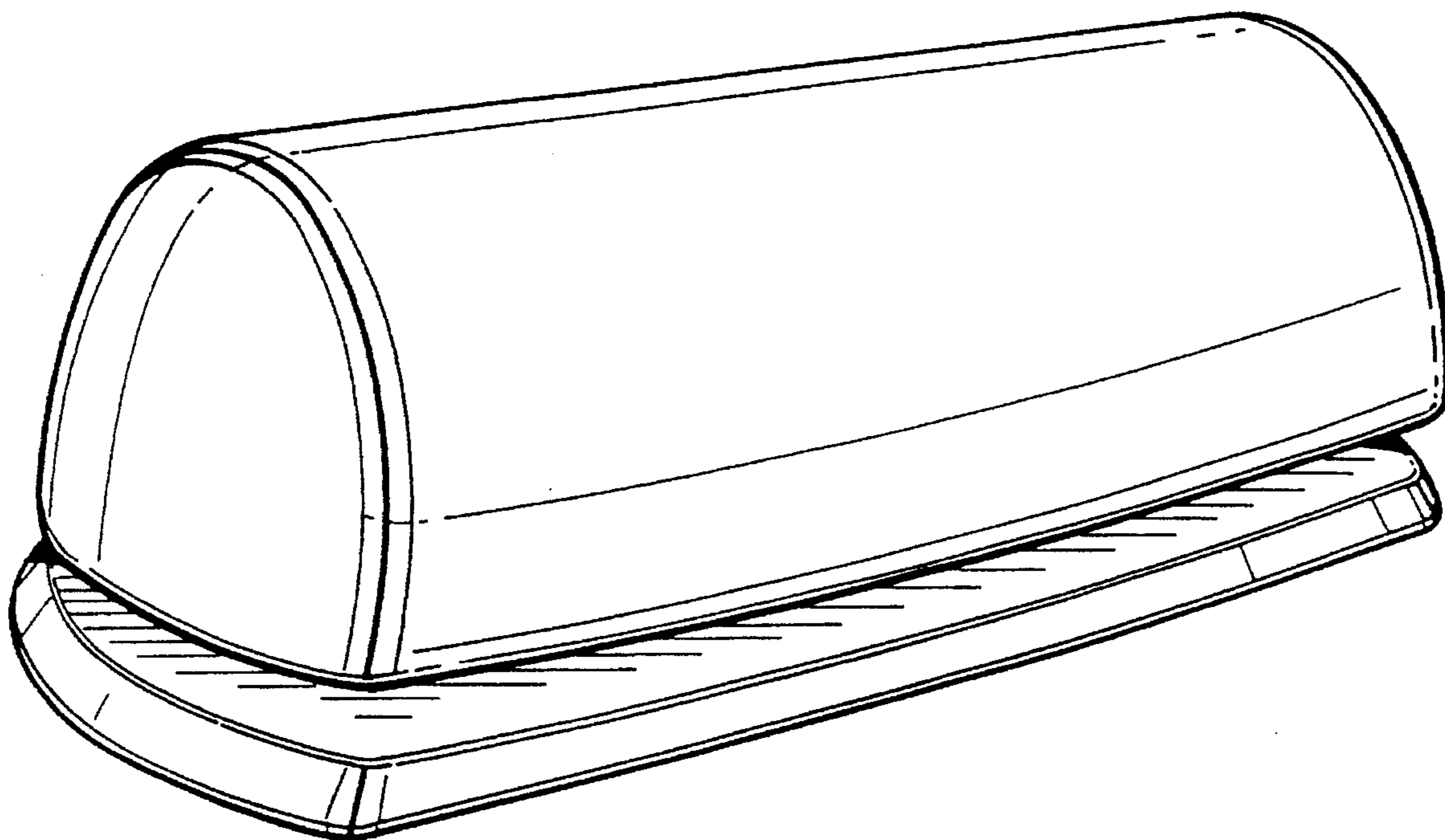


FIG. 1

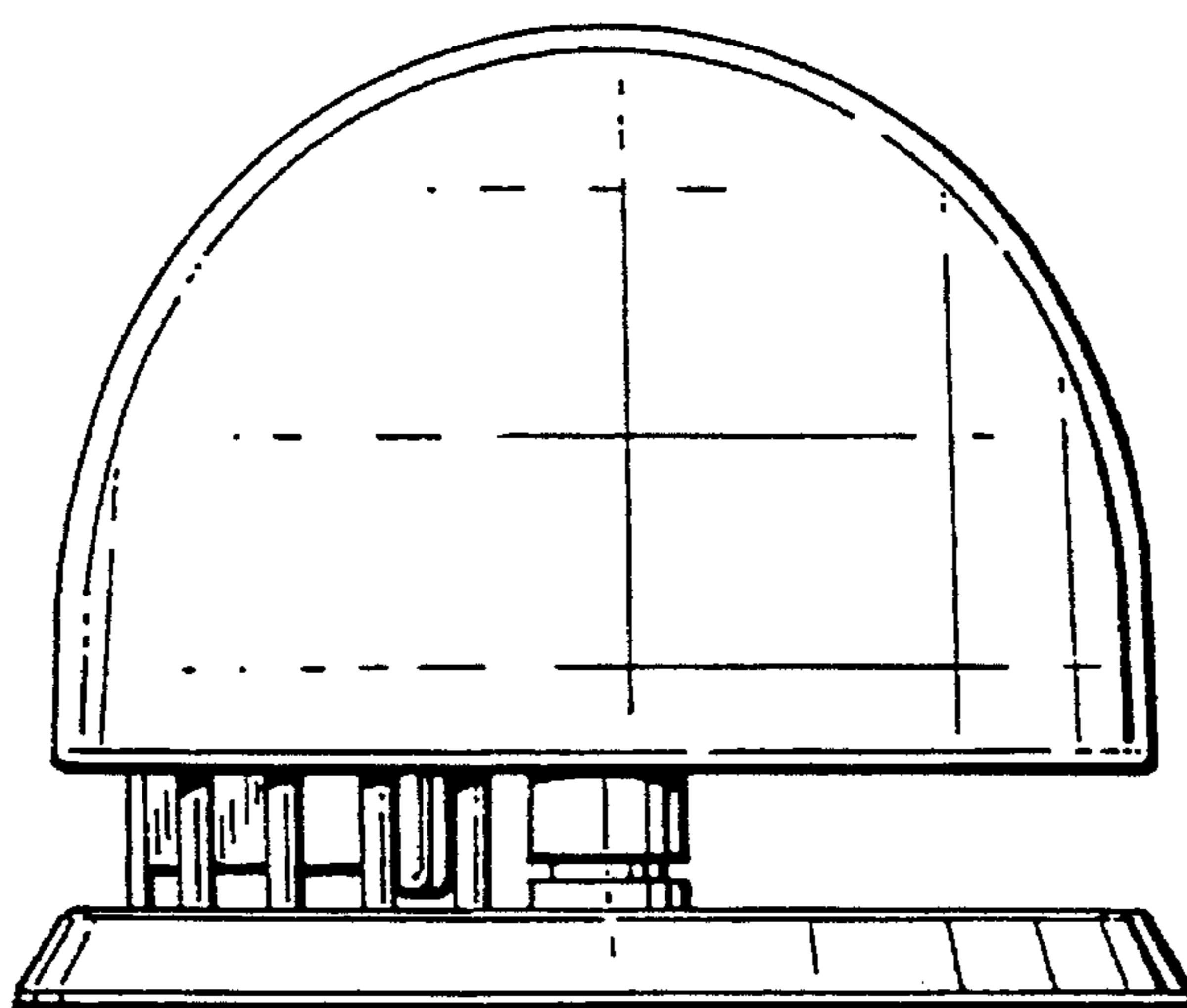


FIG. 2

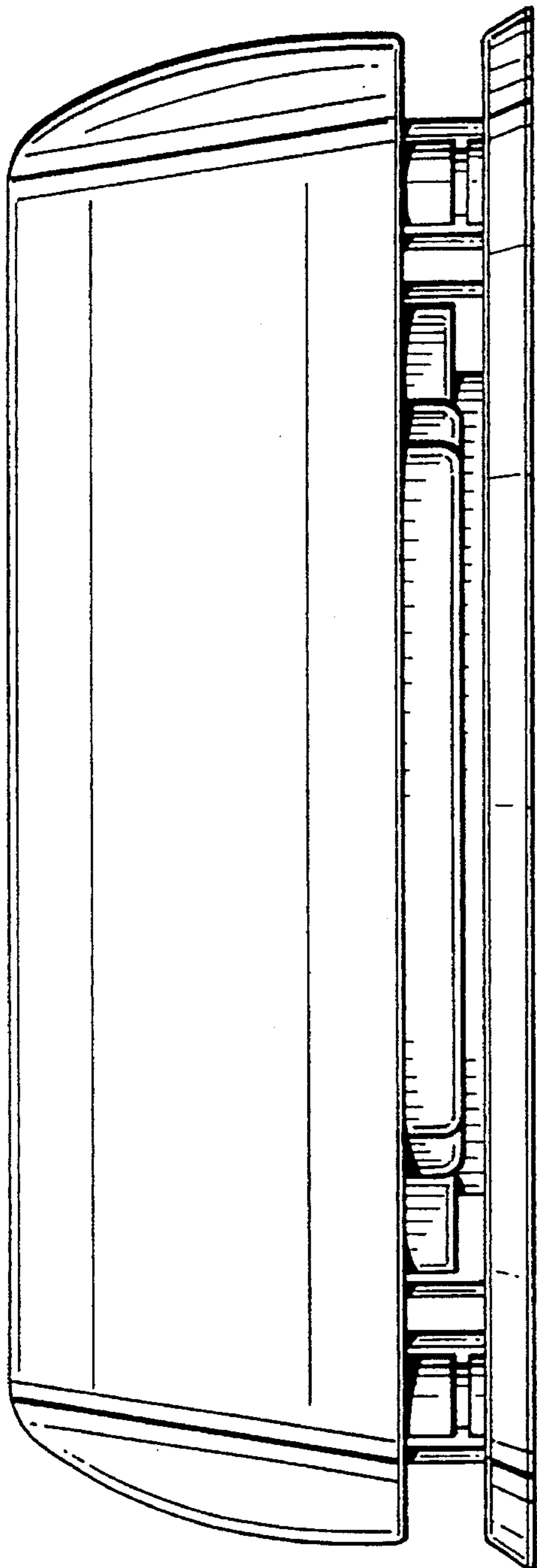


FIG. 3

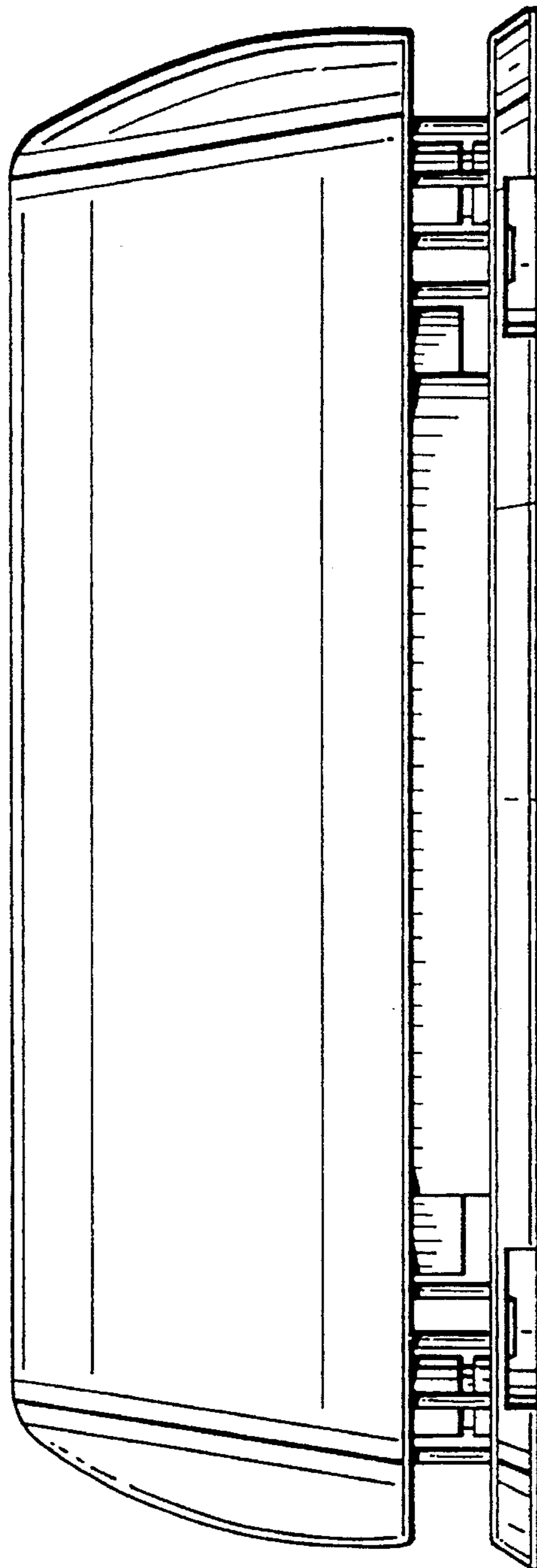


FIG. 4