



US00D374864S

# United States Patent [19]

Siemon et al.

[11] Patent Number: **Des. 374,864**

[45] Date of Patent: **\*\*Oct. 22, 1996**

[54] **CONNECTOR MODULE**

[75] Inventors: **John A. Siemon**, Woodbury; **Randall J. Below**, Cheshire, both of Conn.

[73] Assignee: **The Siemon Company**, Watertown, Conn.

[\*\*] Term: **14 Years**

[21] Appl. No.: **14,696**

[22] Filed: **Oct. 28, 1993**

3,744,009	7/1973	Teagno et al. ....	339/128
4,027,937	6/1977	Norden .....	339/66
4,049,227	9/1977	Georgopoulos .....	339/17 C X
4,053,719	10/1977	DeBortoli et al. ....	174/60 X
4,241,974	12/1980	Hardesty .....	339/176 M X
4,489,419	12/1984	Wang .....	174/66 X
4,669,802	6/1987	Schaffer .....	439/535
4,688,747	8/1987	Helmsdorfer et al. ....	D13/154 X
4,701,135	10/1987	Volk et al. ....	379/327 X
4,714,440	12/1987	Hutchins .....	439/676
4,725,249	2/1988	Blackwood et al. ....	439/535
4,747,020	5/1988	Brickley et al. ....	379/327 X
4,756,695	7/1988	Lane et al. ....	439/535 X

(List continued on next page.)

### Related U.S. Application Data

[63] Continuation of Ser. No. 993,480, Dec. 18, 1992, Pat. No. 5,295,869.

[52] **U.S. Cl.** ..... **D13/154**

[58] **Field of Search** ..... D13/133, 137, D13/146, 147, 154; D14/240, 253; D8/353; 439/76, 131, 620, 894; 361/301.1, 615; 174/52.1, 56, 64, 65 R

### FOREIGN PATENT DOCUMENTS

0279405	2/1988	European Pat. Off. .	
678914	7/1939	Germany .....	439/353
3605063	1/1987	Germany .	
63-66439	11/1989	Japan .....	439/353
US9105058	3/1992	WIPO .....	439/76

*Primary Examiner*—Joel Sincavage

*Attorney, Agent, or Firm*—Fishman, Dionne & Cantor

[56] **References Cited**

#### U.S. PATENT DOCUMENTS

D. 179,996	4/1957	Wells et al. ....	D13/184
D. 179,997	4/1957	Wells et al. ....	D13/184
D. 184,263	1/1959	McCarthy .....	D13/137 X
D. 212,330	10/1968	Teagno et al. ....	D13/147
D. 233,729	11/1974	De Forrest .....	D13/147
D. 240,631	7/1976	Lang et al. ....	D13/156 X
D. 248,096	6/1978	Stupay .....	D13/147
D. 269,426	6/1983	Pyle .....	D13/147 X
D. 276,605	12/1984	Neuwirth .....	D13/147
D. 298,826	12/1988	Nakajo et al. ....	D13/133
D. 300,739	4/1989	Kikuta .....	D13/133
D. 306,716	3/1990	Shimirak .....	D13/147
D. 317,750	6/1991	Bellomo et al. ....	D13/147
D. 333,656	3/1993	Bluemel et al. ....	D13/162
D. 339,325	9/1993	Spencer et al. ....	D13/133
969,409	9/1910	Russell .	
1,278,339	9/1918	Hastings et al. .	
2,244,937	6/1941	Brainard .....	173/330
2,427,349	9/1947	Boynton .....	173/330
3,343,041	9/1967	Pistey et al. ....	317/99
3,579,046	5/1969	Jordan .....	339/17
3,641,472	2/1972	Phillips, Jr. ....	439/536 X

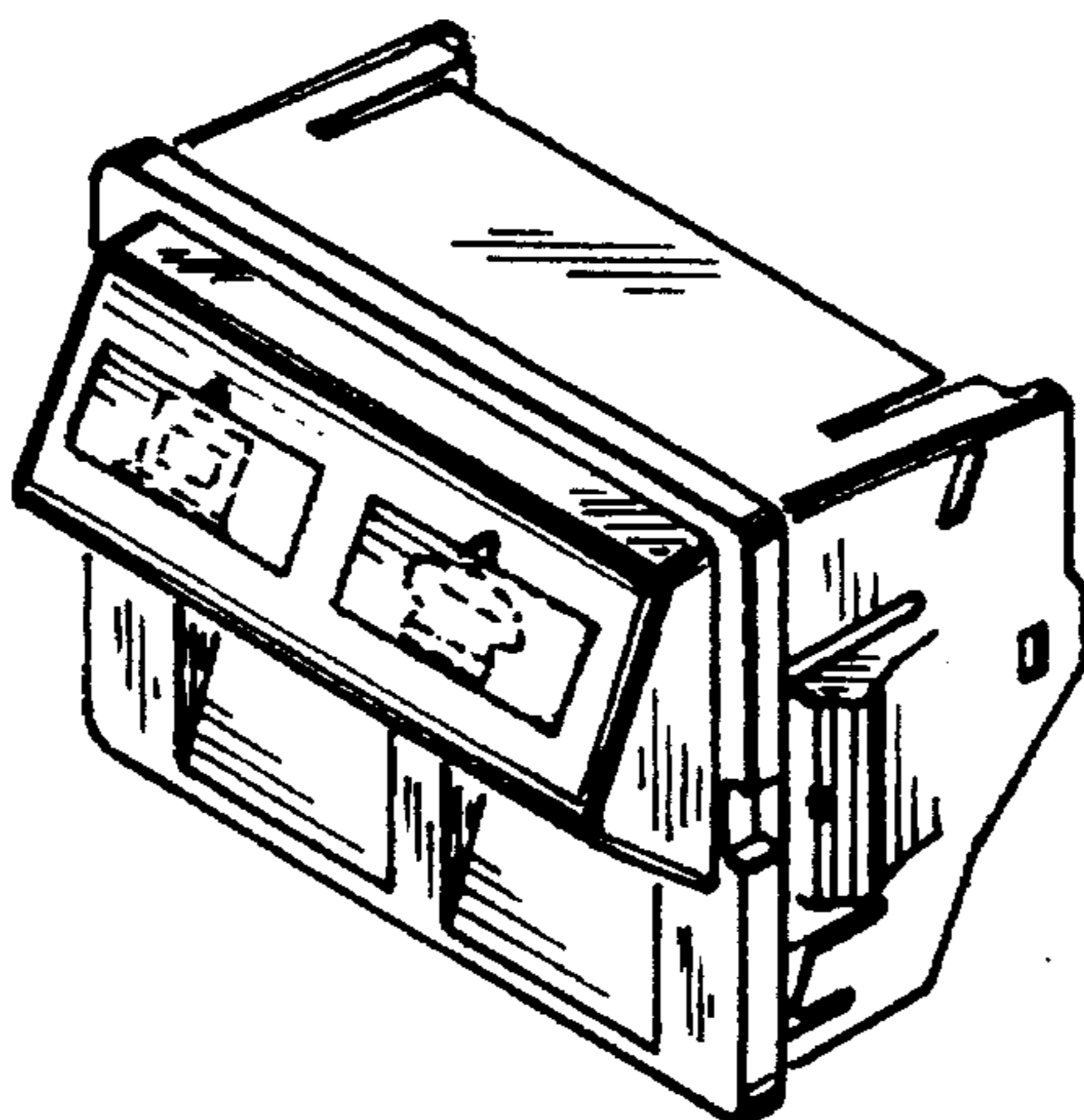
[57] **CLAIM**

The ornamental design for a connector module, as shown and described.

### DESCRIPTION

FIG. 1 shows a front and upper right perspective view of a connector module showing our new design; FIG. 2 shows a front elevation view thereof; FIG. 3 shows a bottom plan view thereof; FIG. 4 shows a rear elevation view thereof; FIG. 5 shows a right side elevational view thereof, the left side elevational view being a mirror image; FIG. 6 shows a top plan view thereof; and, FIG. 7 shows a rear and upper left plan view perspective view of a connector module showing our new design. The designations indicated by broken lines in FIGS. 1 and 2 are illustrated by way of example only, as such will be dictated by the particular application of the connector assembly, and such designations are not a part of the design claimed herein.

**1 Claim, 2 Drawing Sheets**



U.S. PATENT DOCUMENTS

4,813,071	3/1989	De Luca .....	379/327	4,986,779	1/1991	Ferrill et al. ....	439/535 X
4,834,666	5/1989	Lee .....	439/147 X	4,993,962	2/1991	Noda et al. ....	439/131 X
4,873,600	10/1989	Vogele .....	174/52.1	5,029,270	7/1991	Shiraishi et al. ....	174/52.1 X
4,874,904	10/1989	DeSanti .....	174/53	5,041,018	8/1991	Arnett .....	439/536
4,883,432	11/1989	Reed .....	439/553	5,125,852	6/1992	Archer .....	439/555
4,905,275	2/1990	Meyerhoefer et al. ....	379/327	5,177,782	1/1993	Henderson et al. ....	379/412
4,909,757	3/1990	Reed .....	439/553 X	5,178,554	1/1993	Siemon et al. ....	439/557 X
4,950,840	8/1990	Zetena .....	439/536 X	5,228,869	7/1993	Below .....	439/557 X
4,958,262	9/1990	Wilkie, Jr. ....	379/329 X	5,238,427	8/1993	Fry et al. ....	439/557
				5,244,417	9/1993	Perretta et al. ....	439/76 X

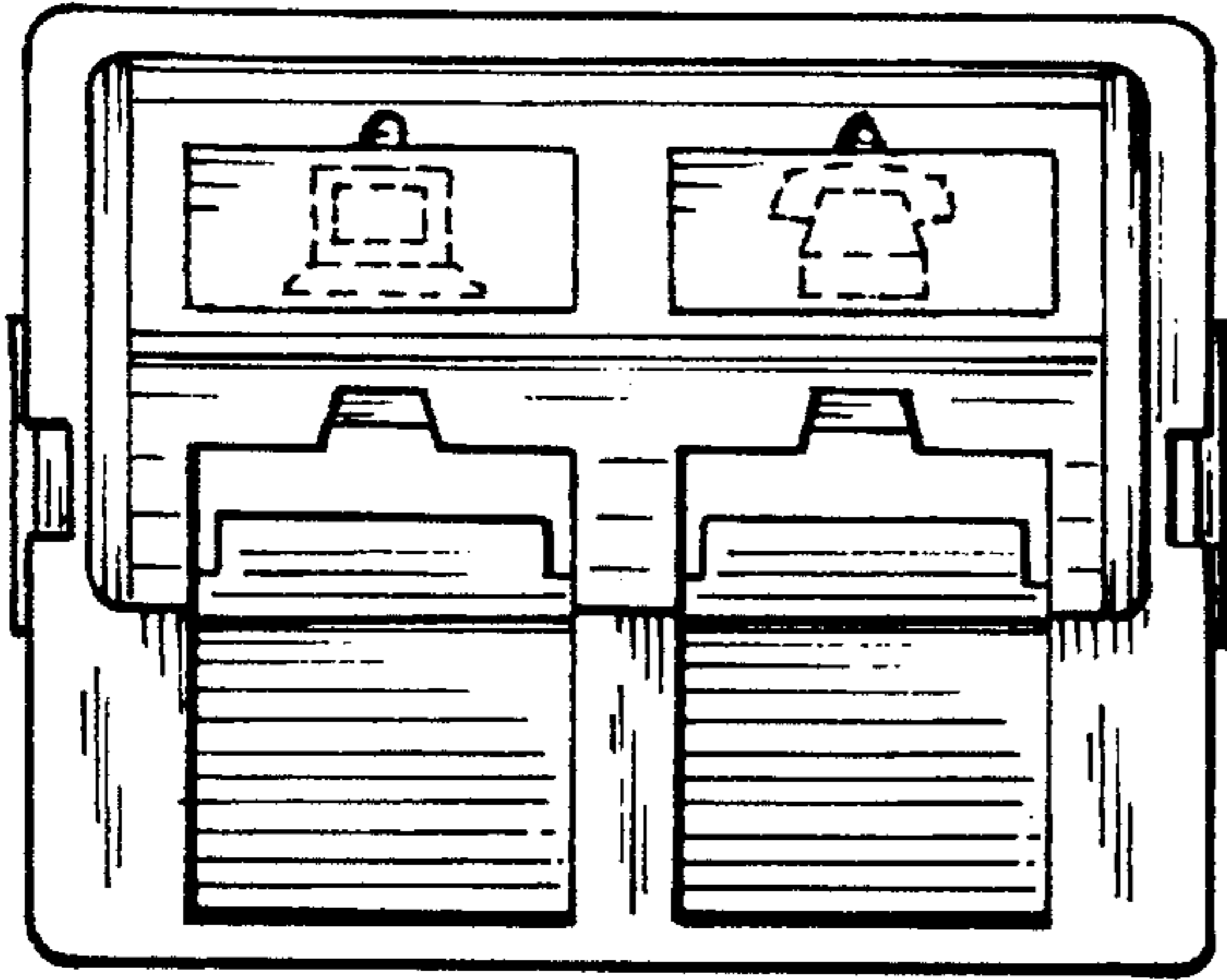


FIG. 2

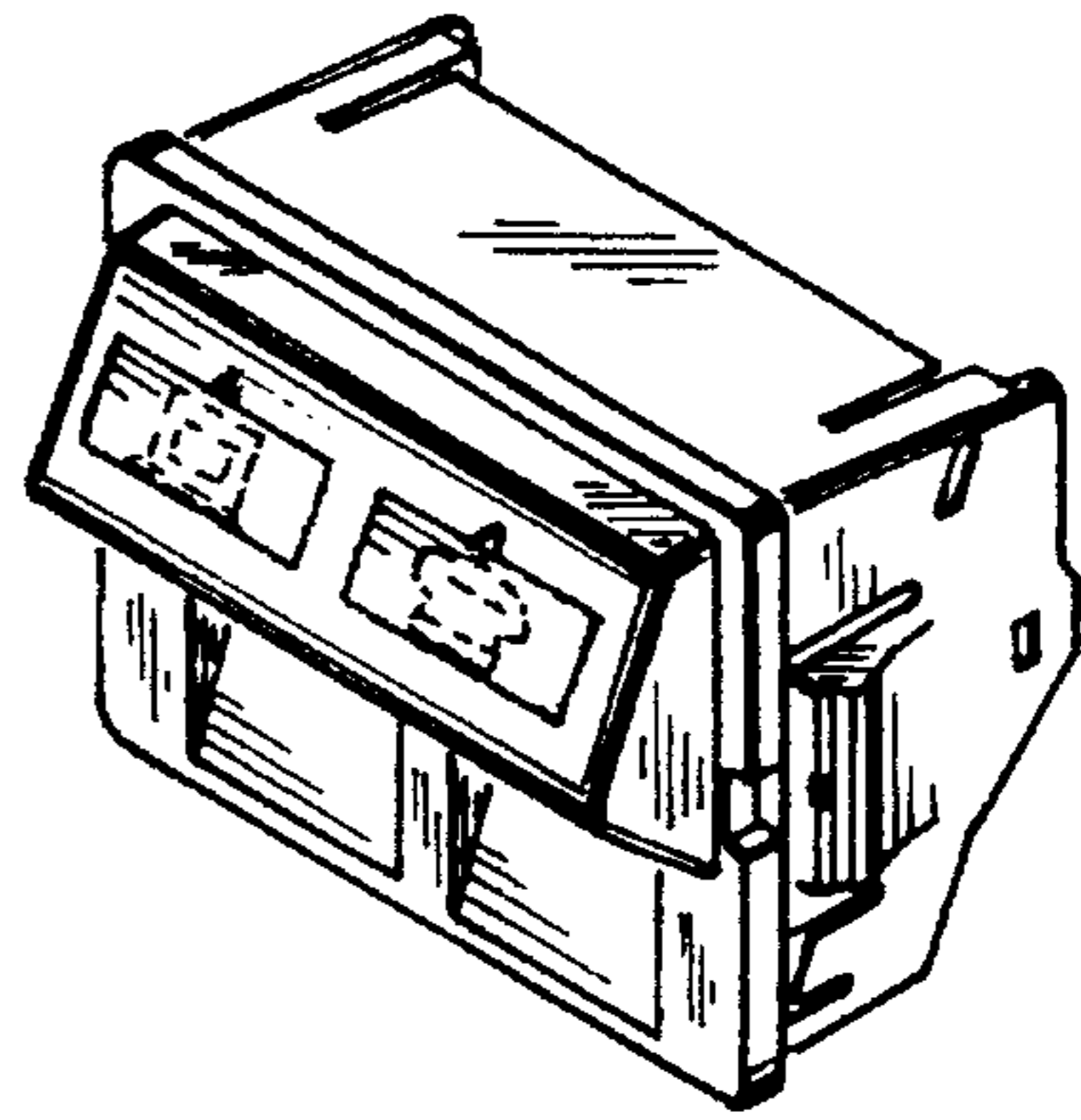


FIG. 1

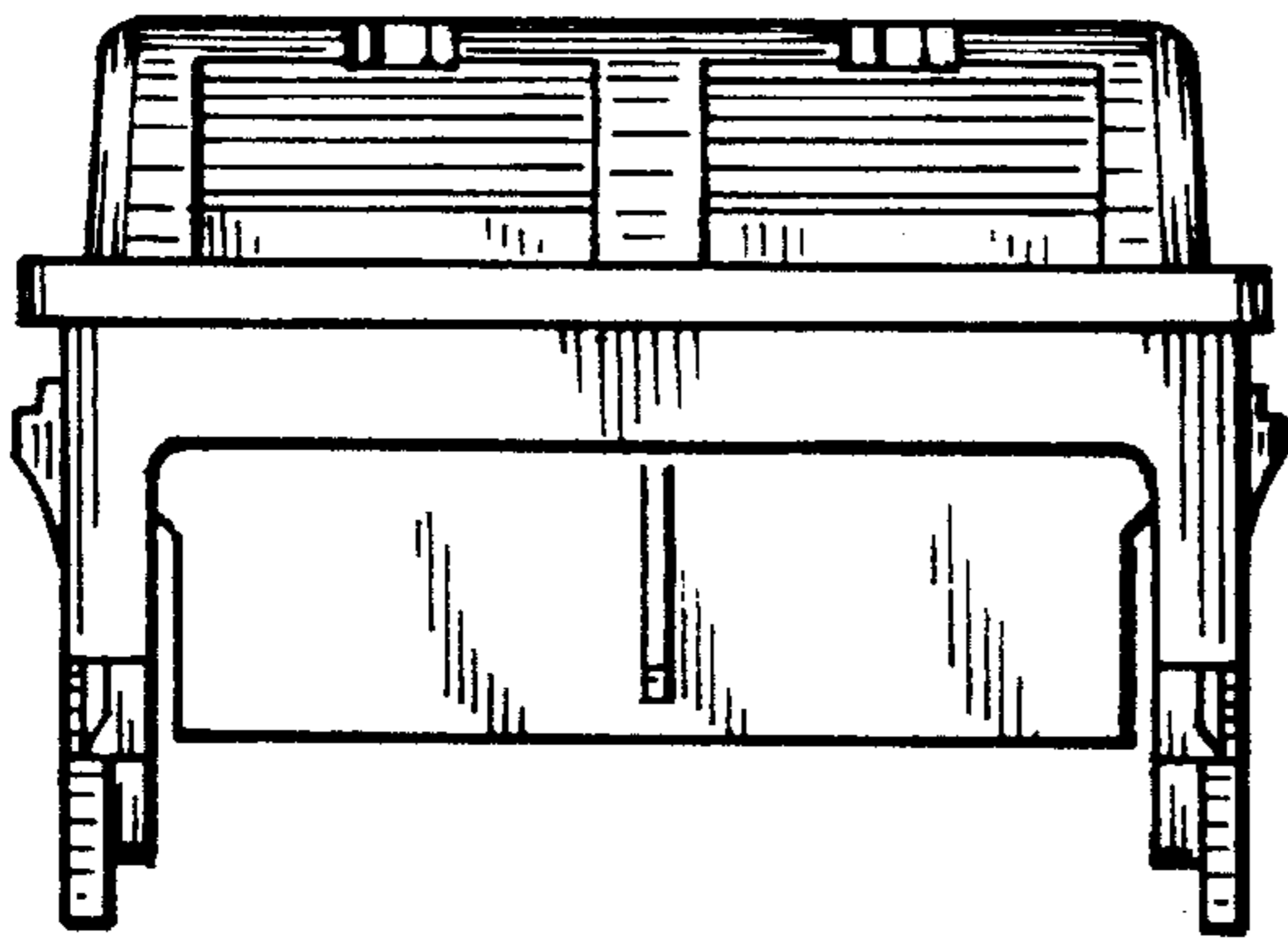


FIG. 3

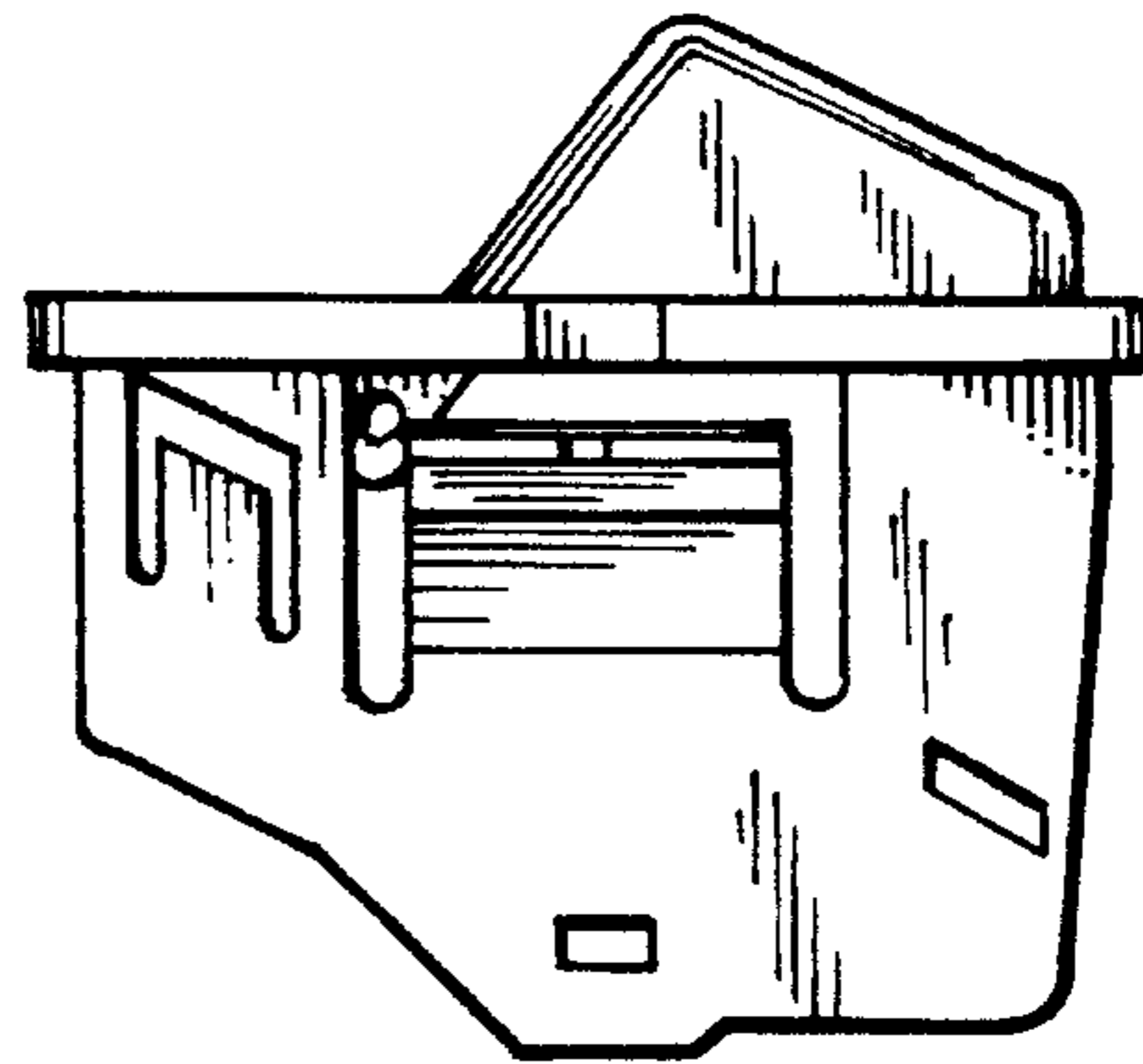


FIG. 5

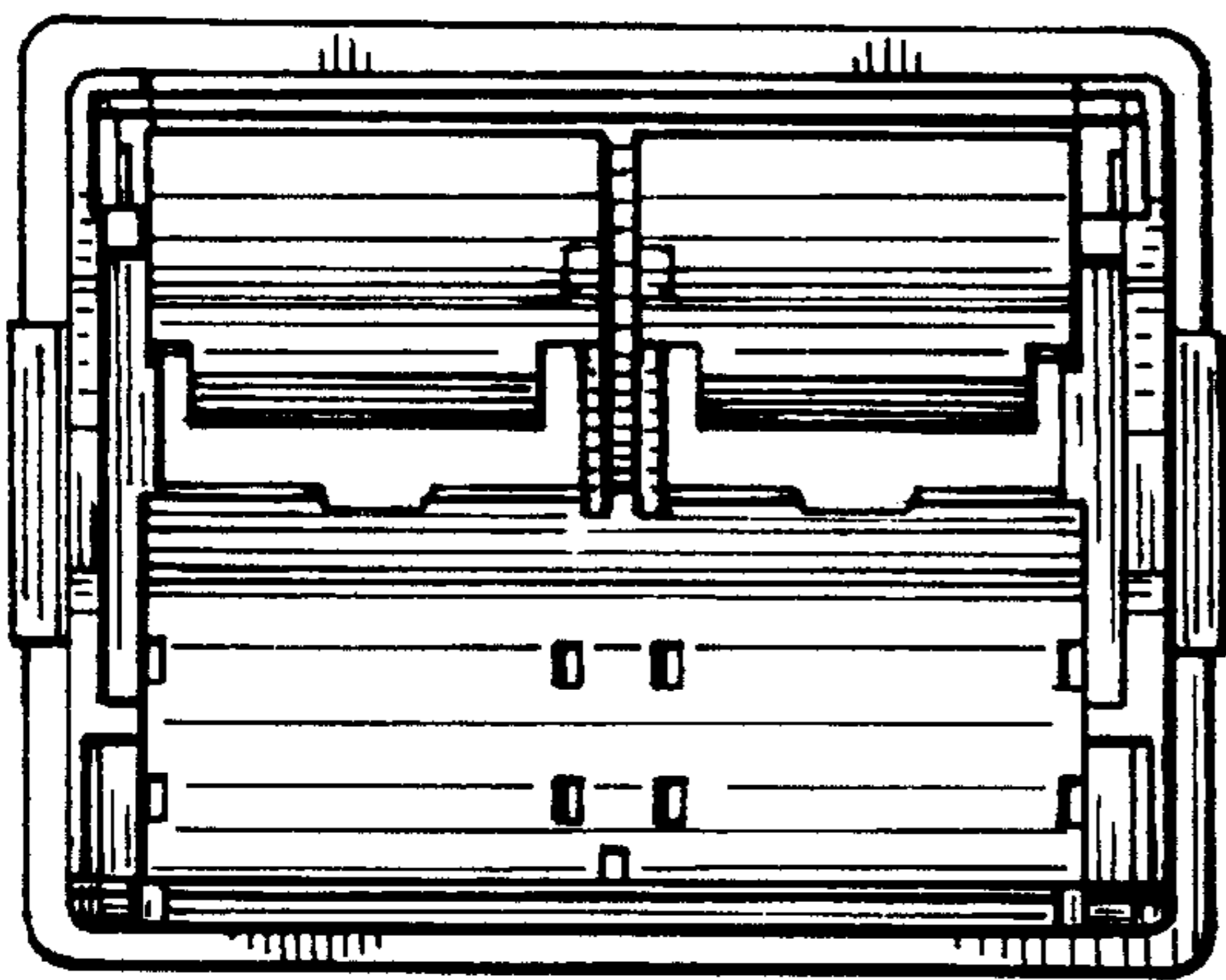


FIG. 4

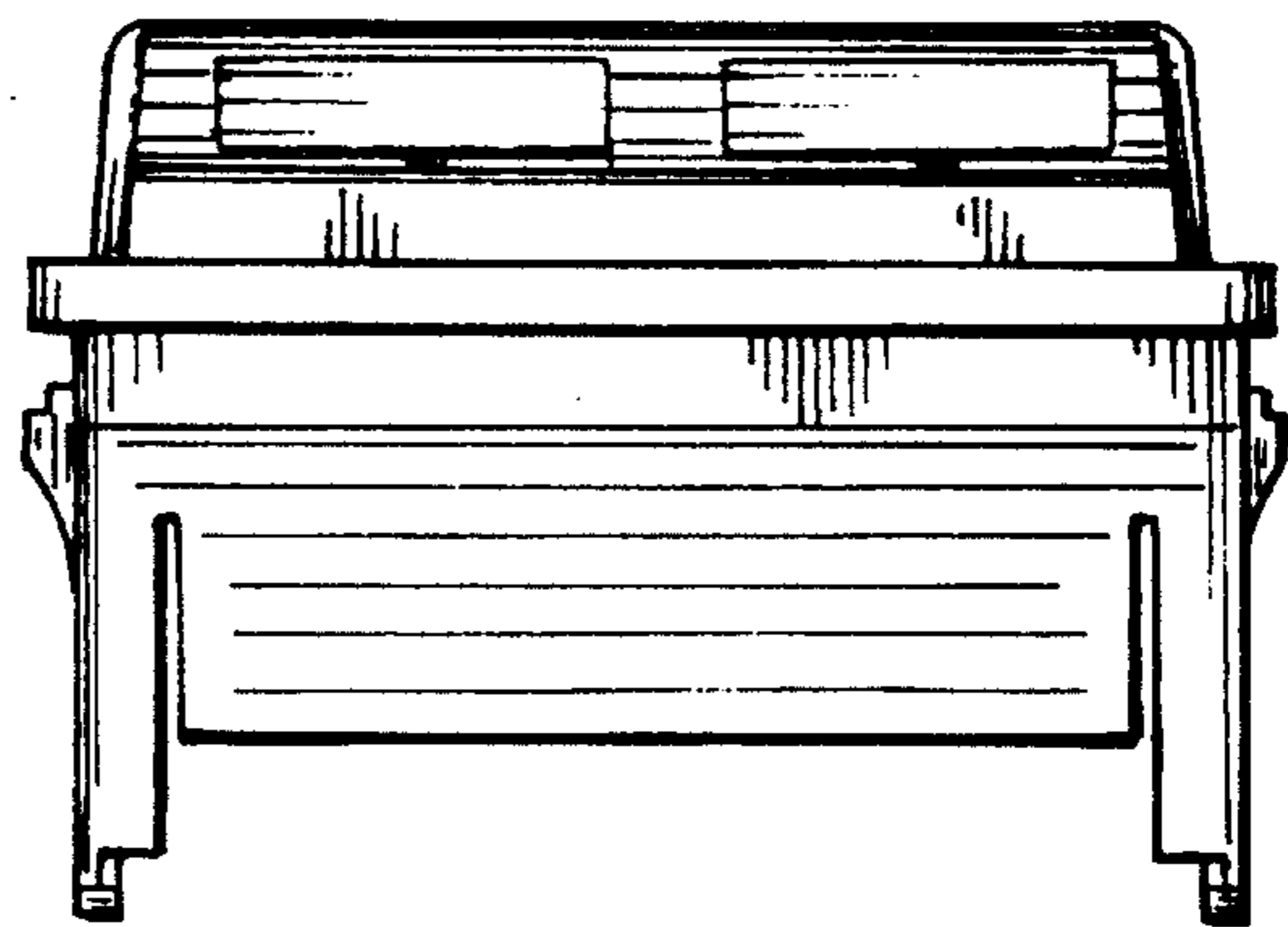


FIG. 6

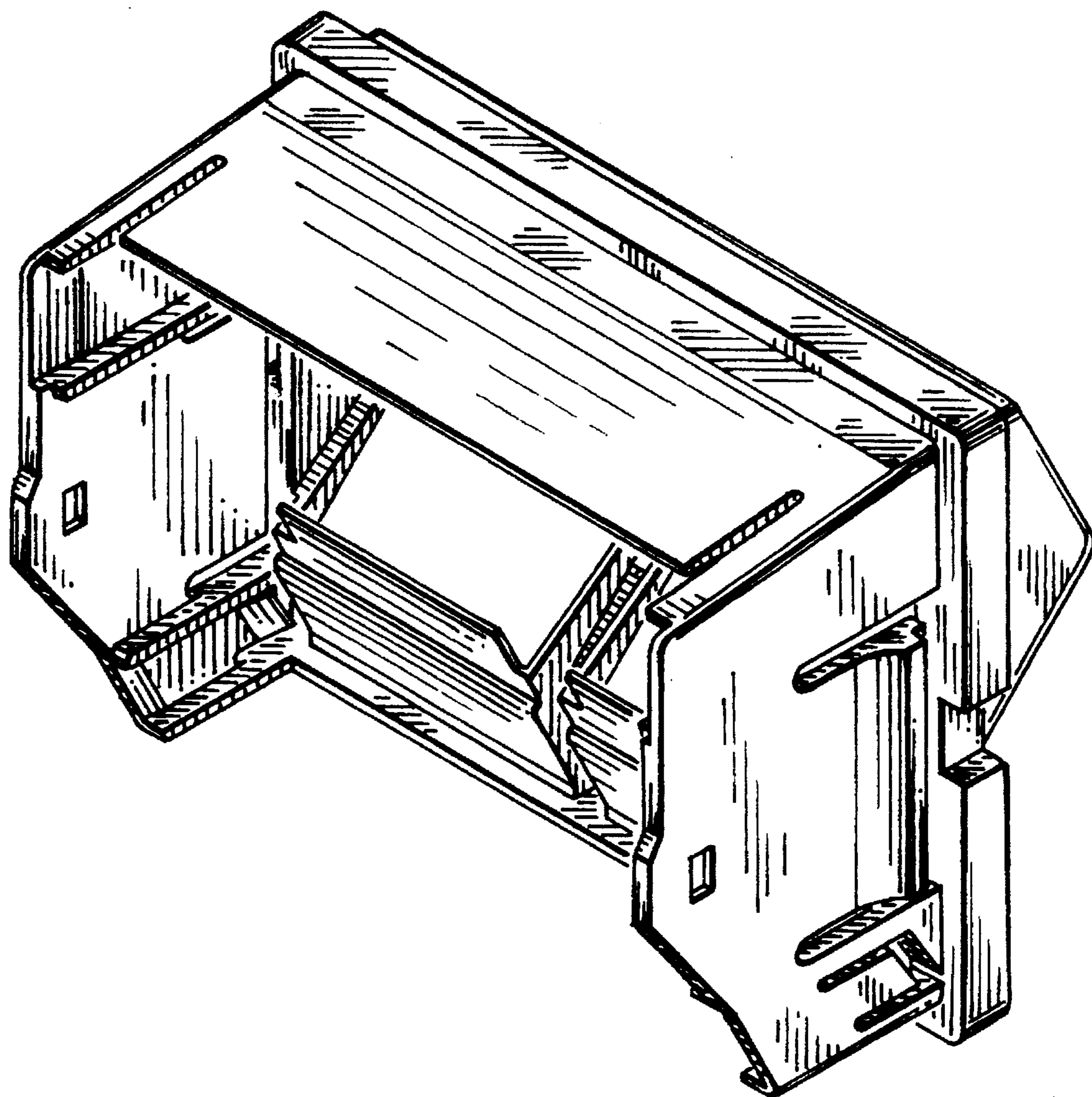


FIG. 7