



US00D374863S

United States Patent [19] Grande

[11] Patent Number: **Des. 374,863**

[45] Date of Patent: ****Oct. 22, 1996**

[54] **GANGED JACK COVER**

[75] Inventor: **Frank Grande**, Highland Beach, Fla.

[73] Assignee: **Hse-McCann Telephone, Co., Inc.**,
Deerfield Beach, Fla.

[**] Term: **14 Years**

[21] Appl. No.: **29,638**

[22] Filed: **Oct. 12, 1994**

[52] U.S. Cl. **D13/146; D13/133**

[58] Field of Search **D13/133, 146,**
D13/147, 151; 439/43, 49, 63, 247, 578,
581, 709, 715, 721

[56] **References Cited**

U.S. PATENT DOCUMENTS

D. 211,175	5/1968	Cappon	D13/151
D. 317,905	7/1991	Garthwaite	D13/151
D. 356,091	3/1995	Grande	D13/152 X
3,094,364	6/1963	Lingg	439/247
3,686,624	8/1972	Napoli et al.	439/581
4,012,095	3/1977	Doucet et al.	439/63
4,556,265	12/1985	Cunningham	439/63
5,219,297	6/1993	Stein et al.	439/581 X

Primary Examiner—Joel Sincavage
Attorney, Agent, or Firm—Weingram & Zall

[57] **CLAIM**

The ornamental design for ganged jack cover, as shown.

DESCRIPTION

FIG. 1 is a top perspective view of a ganged jack cover, showing a first embodiment of my new design;

FIG. 2 is a top plan view;

FIG. 3 is a side elevational view, the opposite side being identical thereto;

FIG. 4 is an end elevational view, the opposite end being identical thereof;

FIG. 5 is a top perspective view of a ganged jack cover, showing a second embodiment of my new design;

FIG. 6 is a top plan view;

FIG. 7 is a side elevational view, the opposite side being identical thereto; and,

FIG. 8 is an end elevational view, the opposite end being identical thereof.

The broken line showing is included for the purpose of illustrating environmental structure only and forms no part of the claimed design.

1 Claim, 6 Drawing Sheets

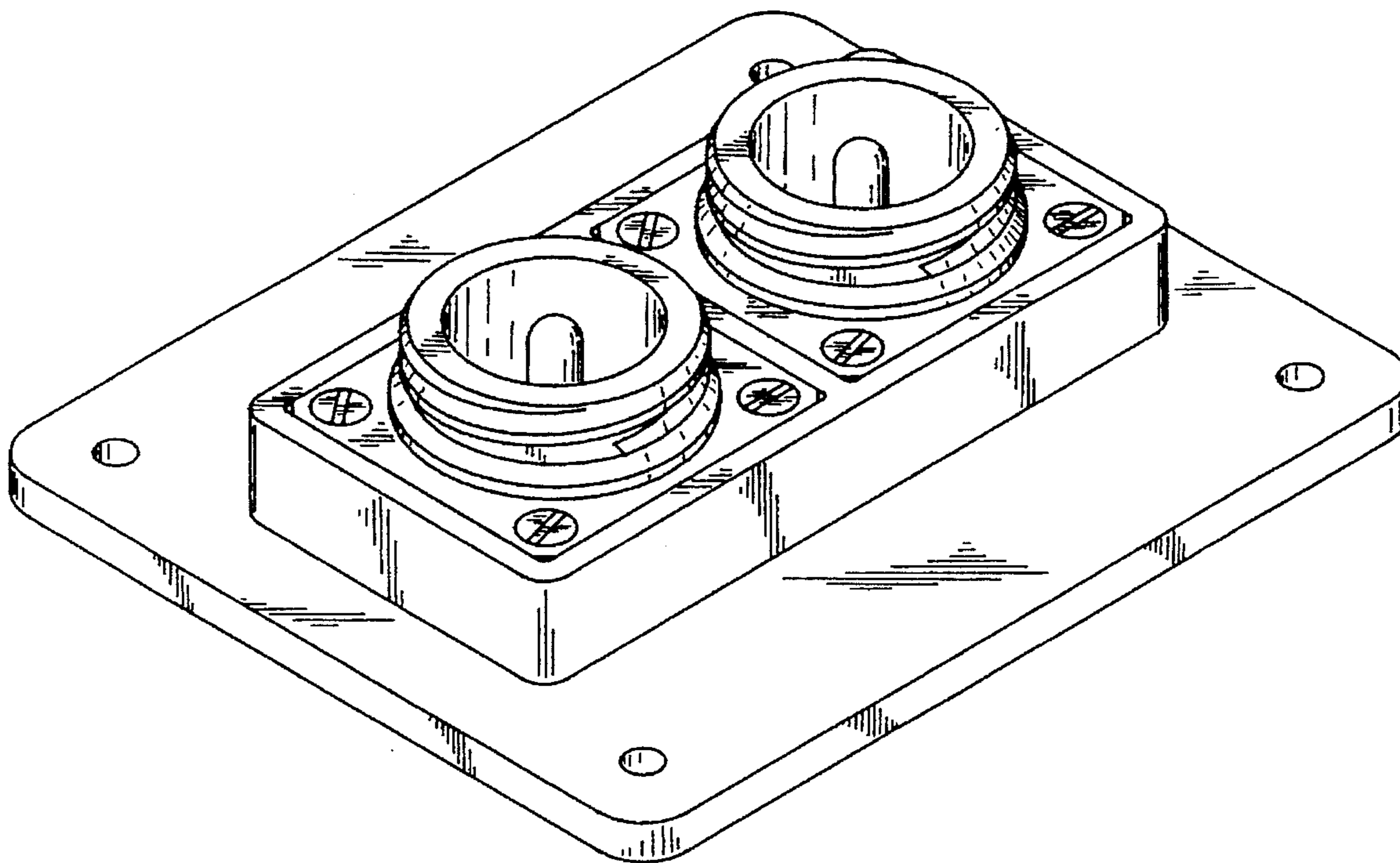


FIG. 1

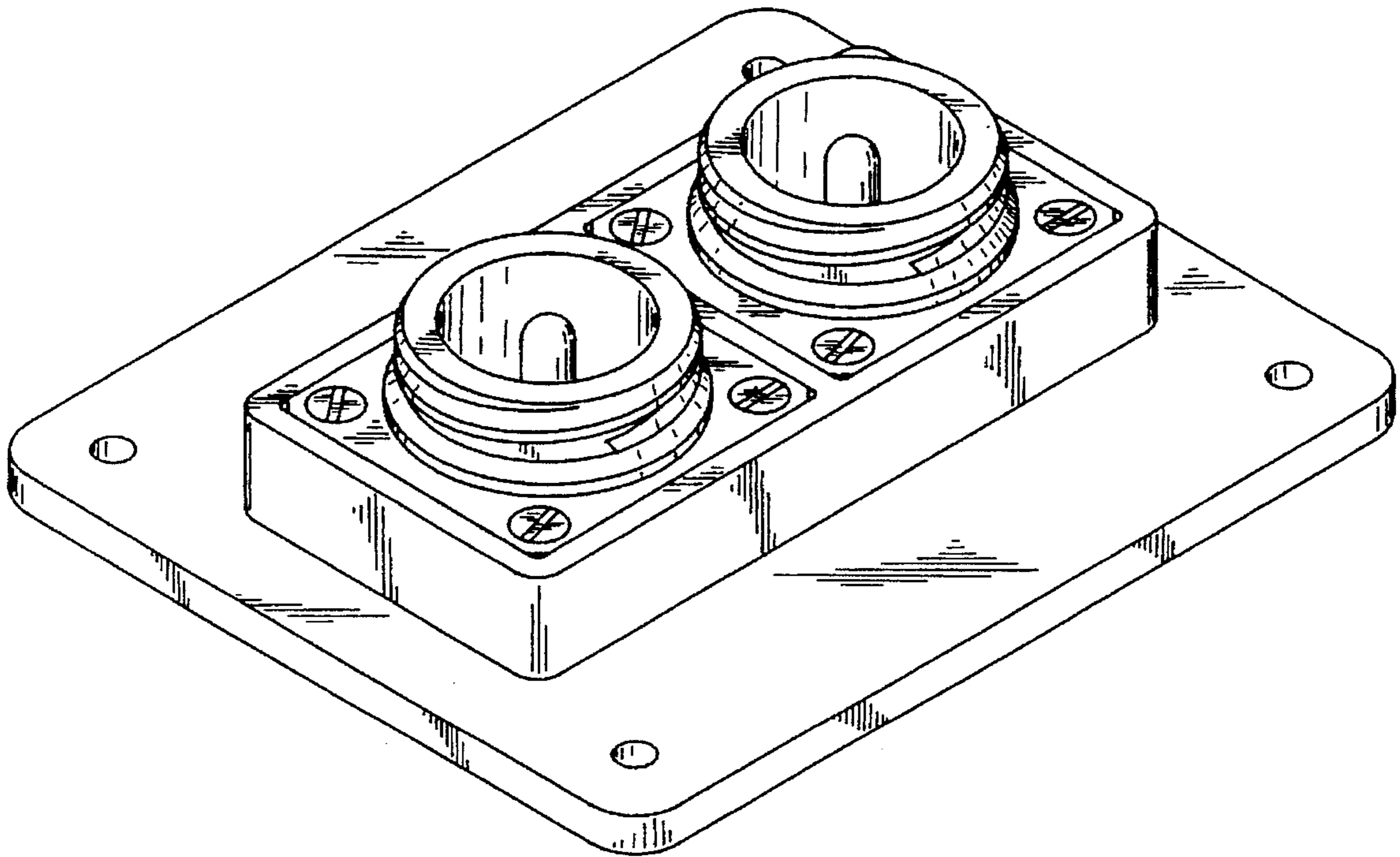


FIG. 2

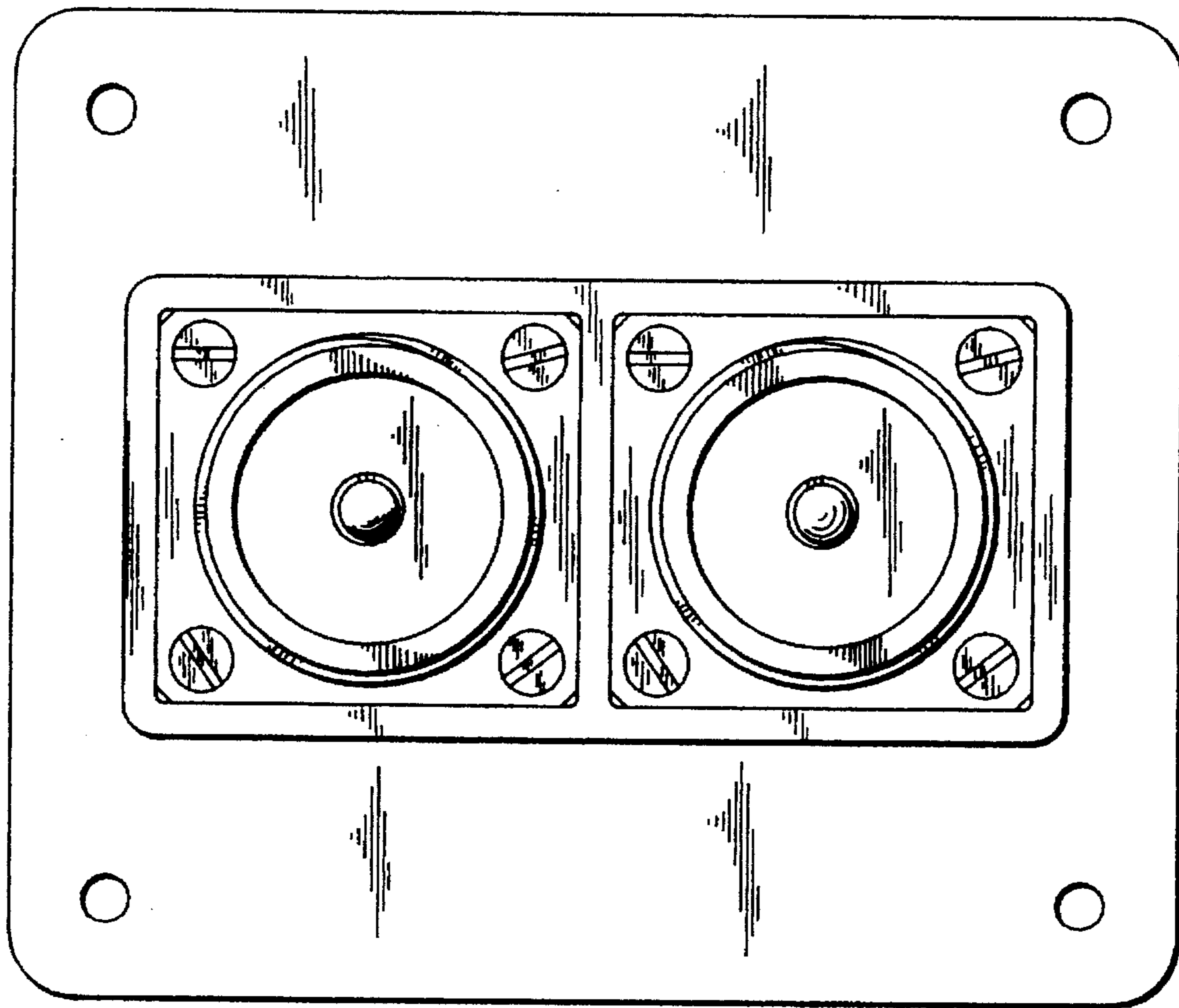


FIG. 3

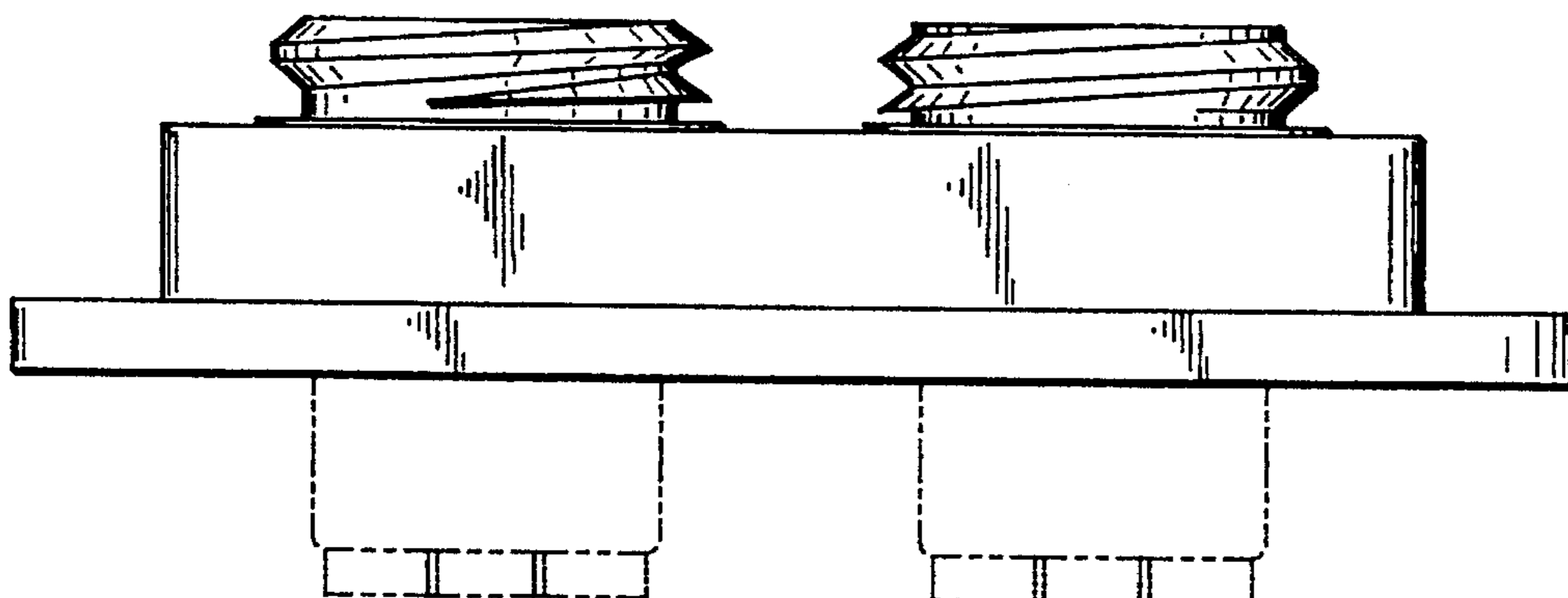


FIG. 4

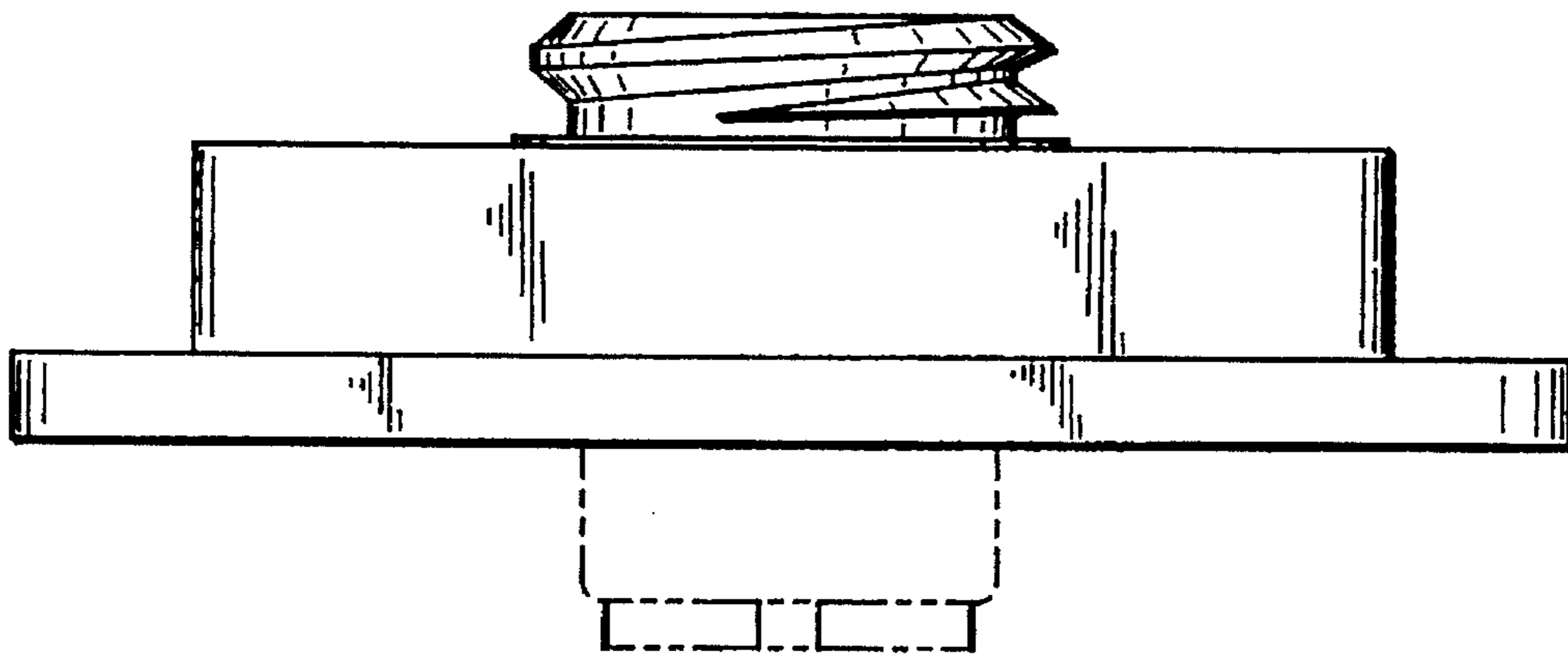


FIG. 5

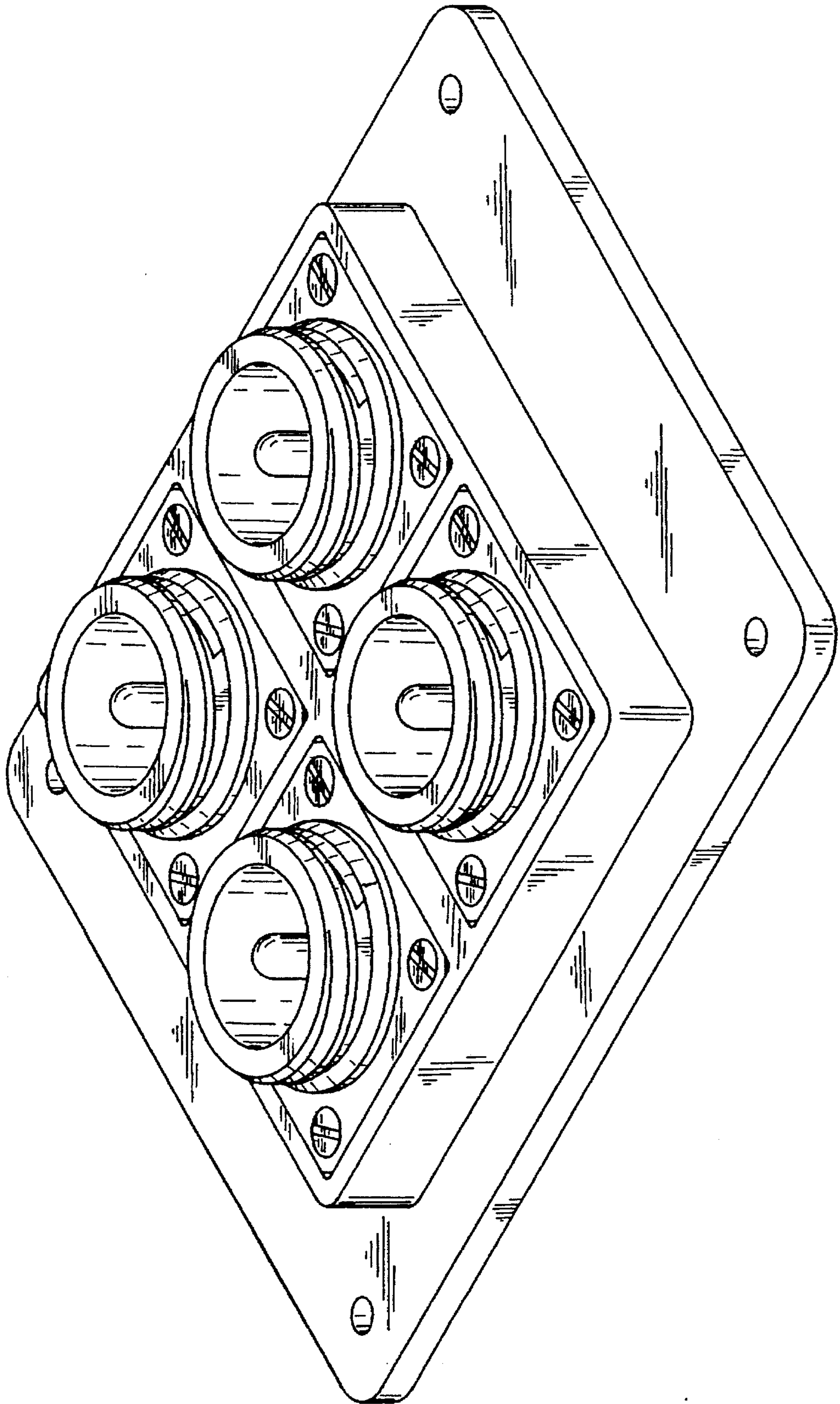


FIG. 6

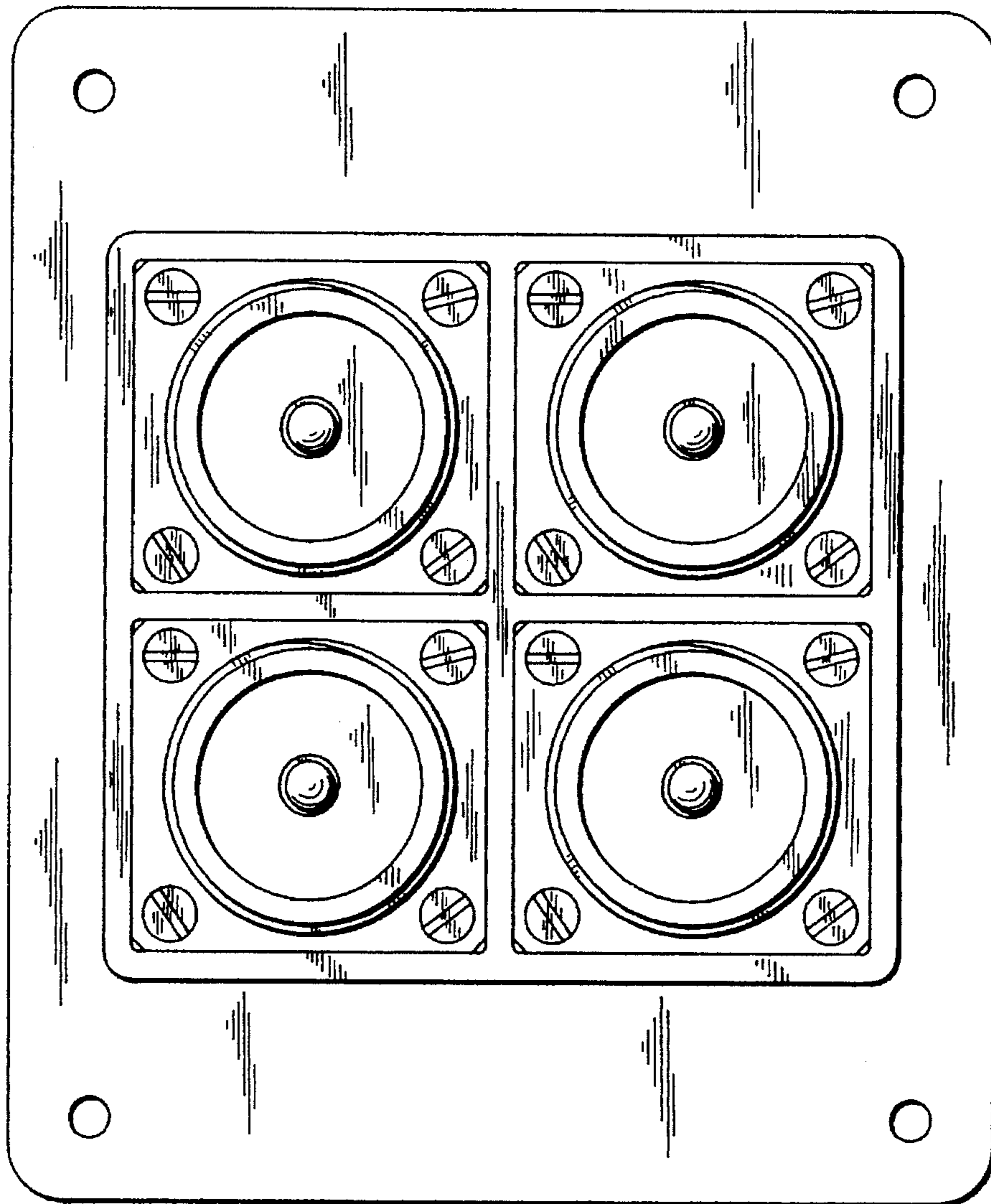


FIG. 7

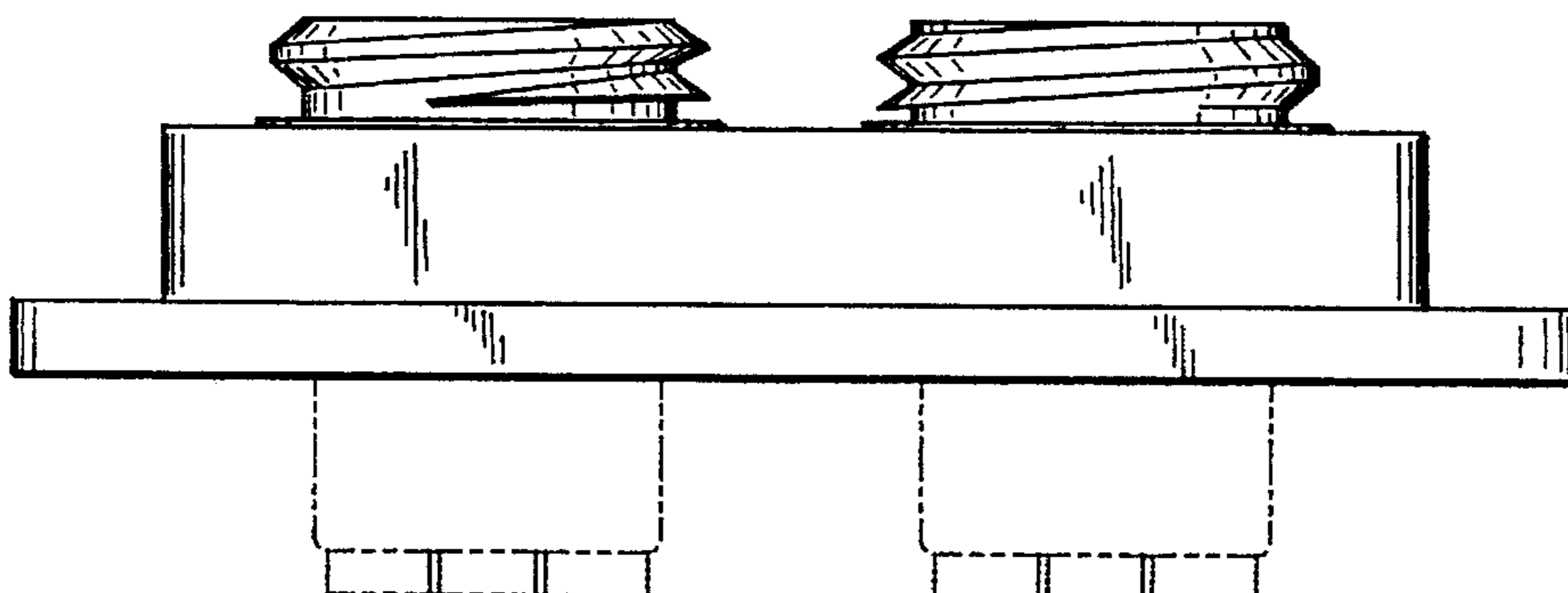


FIG. 8

