



US00D374861S

# United States Patent [19]

[11] Patent Number: **Des. 374,861**

Mousa

[45] Date of Patent: **\*\*Oct. 22, 1996**

[54] **600 VA UNINTERRUPTIBLE POWER SUPPLY**

*Primary Examiner*—Joel Sincavage  
*Attorney, Agent, or Firm*—Howard R. Boyle

[75] Inventor: **Badir M. Mousa**, Auburn, Calif.

[57] **CLAIM**

[73] Assignee: **Hewlett-Packard Company**, Palo Alto, Calif.

The ornamental design for a 600 VA uninterruptible power supply, as shown and described.

[\*\*] Term: **14 Years**

**DESCRIPTION**

[21] Appl. No.: **39,000**

FIG. 1 is a front view of a 600 VA uninterruptible power supply showing my new design;

[22] Filed: **May 18, 1995**

FIG. 2 is a rear view thereof;

[52] U.S. Cl. .... **D13/110**

FIG. 3 is a left view thereof;

[58] Field of Search ..... D13/110, 123;  
307/64, 65, 150; 363/15

FIG. 4 is a right view thereof;

FIG. 5 is a top view thereof;

FIG. 6 is a bottom view thereof; and,

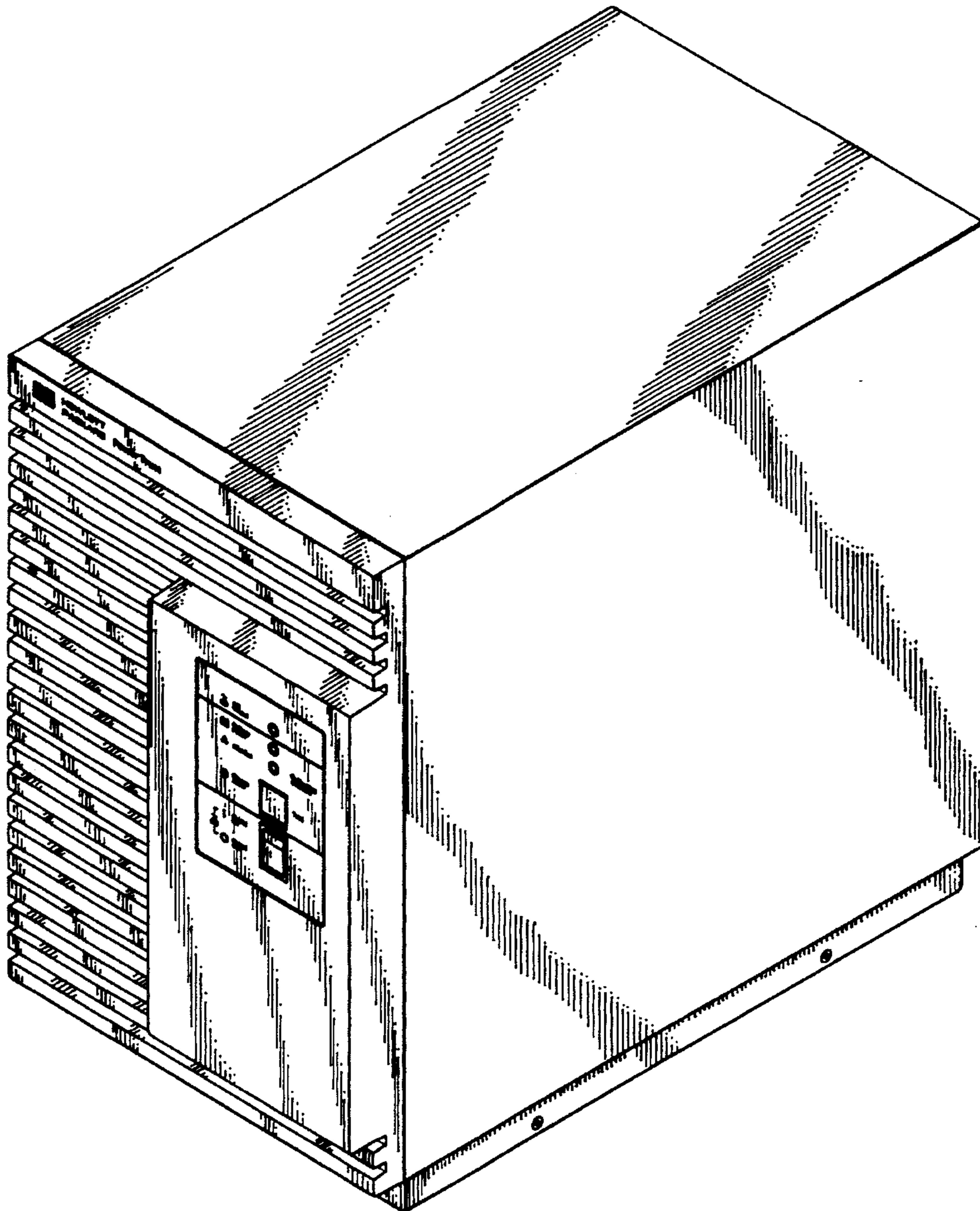
FIG. 7 is a perspective view thereof.

[56] **References Cited**

**U.S. PATENT DOCUMENTS**

D. 339,101 9/1993 Delamoreaux et al. .... D13/110

**1 Claim, 7 Drawing Sheets**



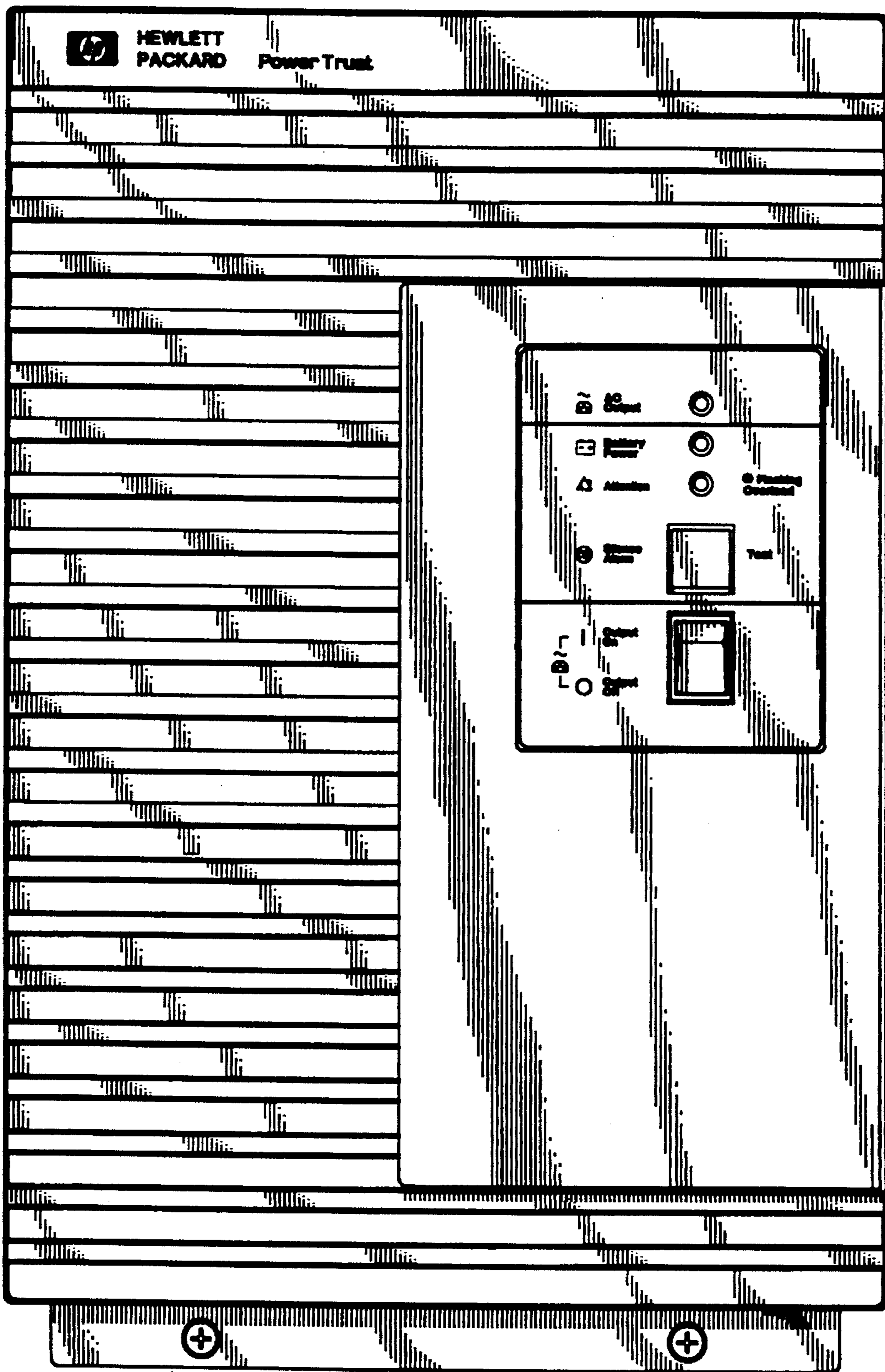


FIGURE 1

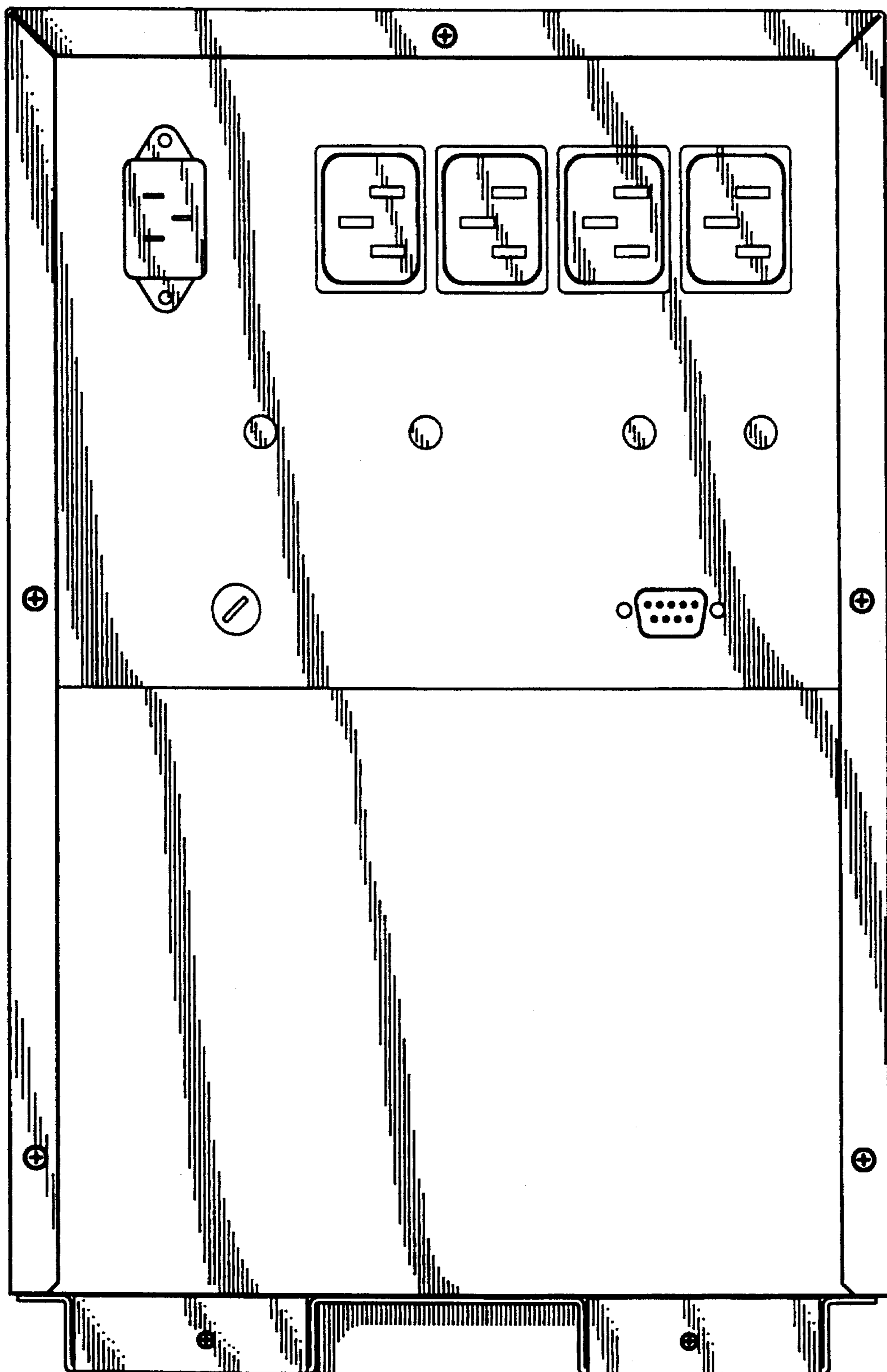
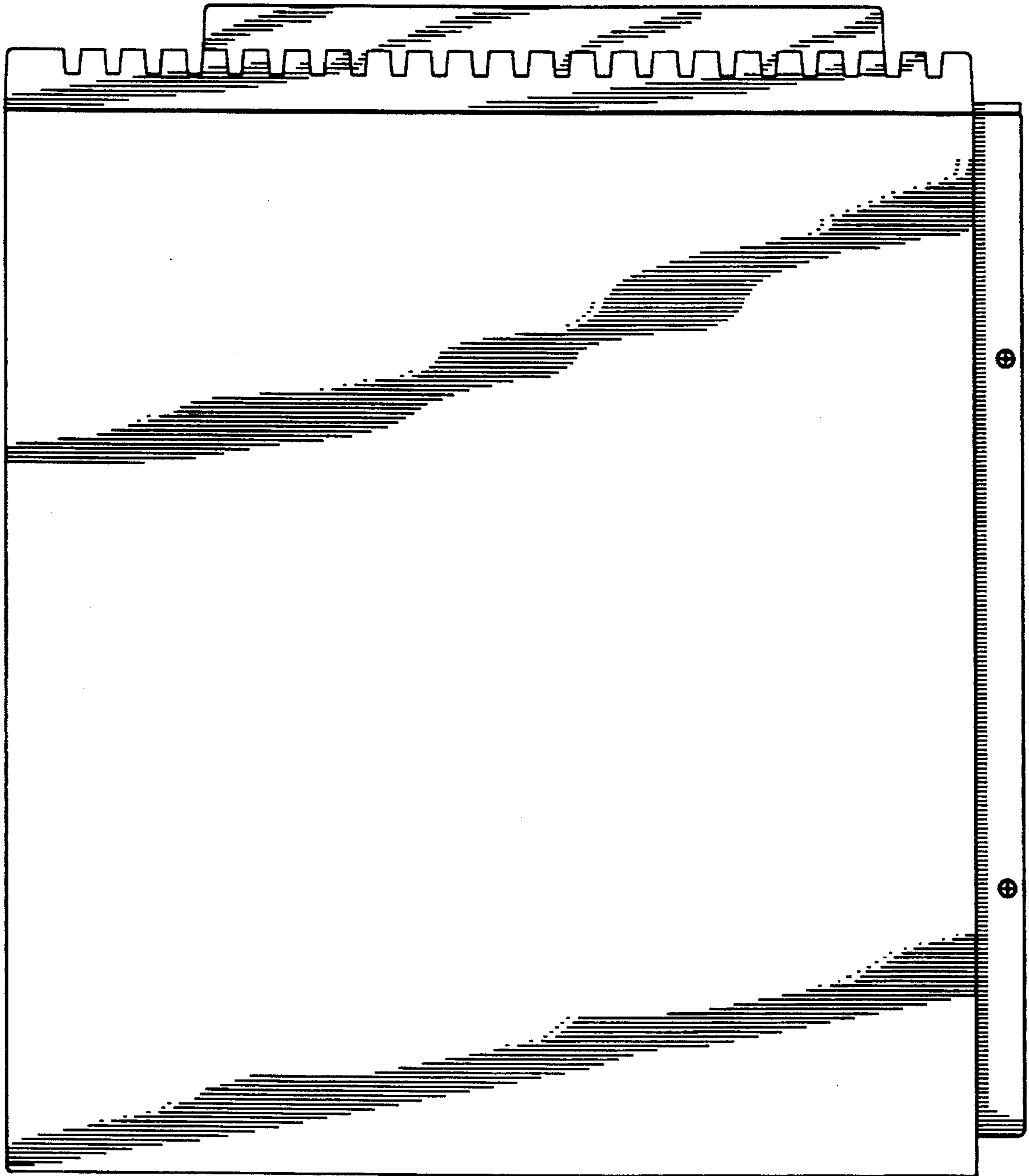


FIGURE 2

FIGURE 3



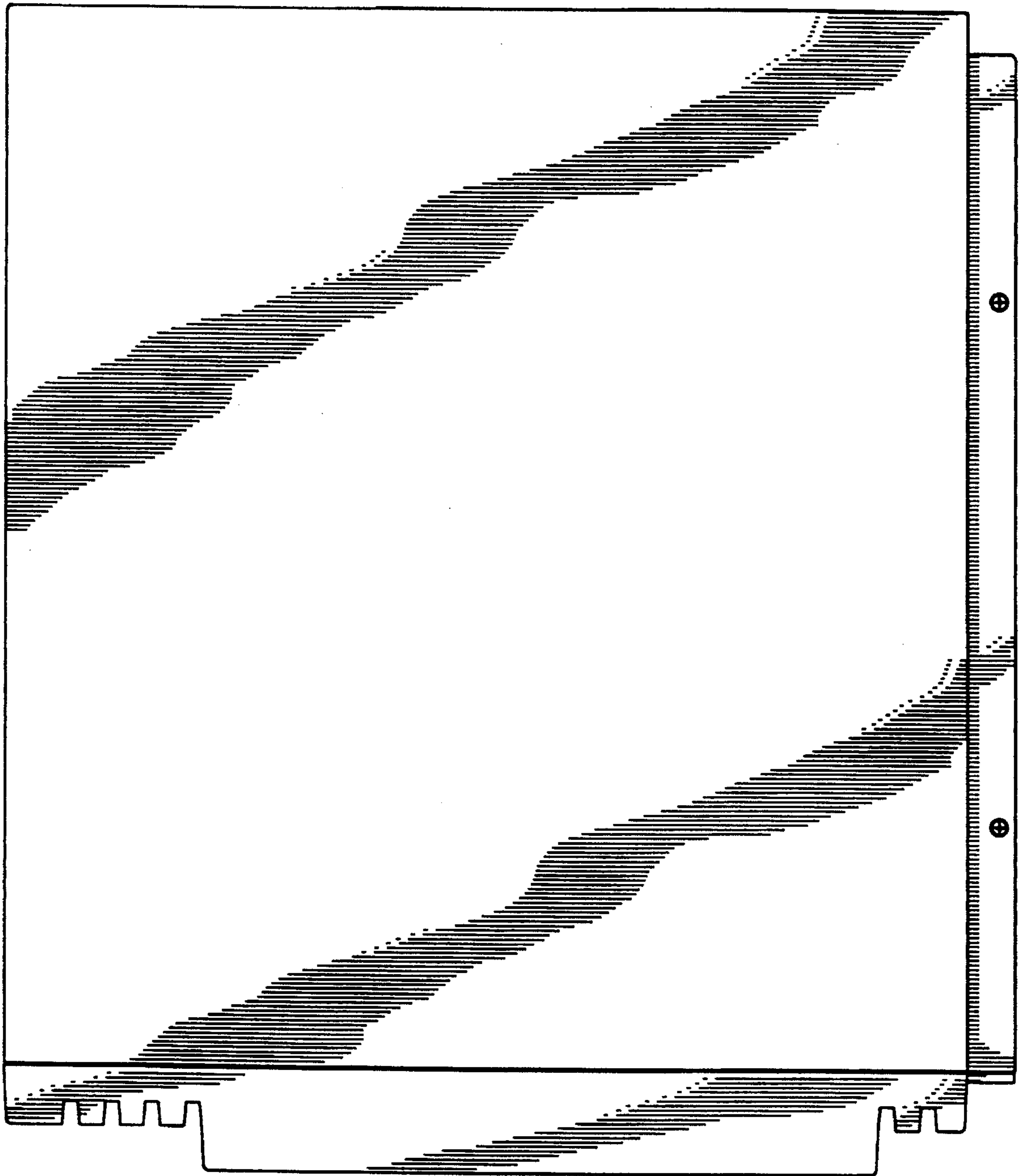


FIGURE 4

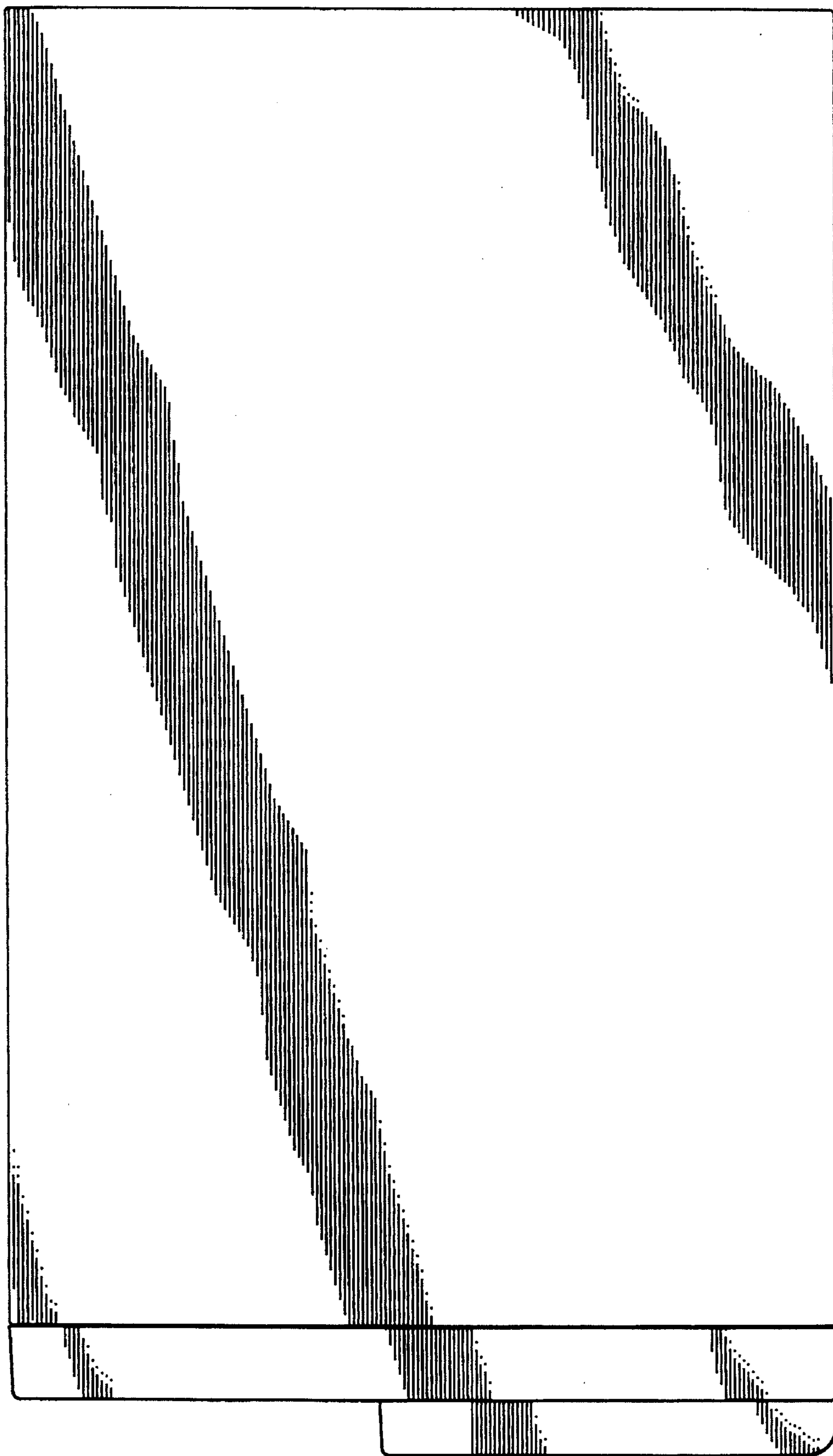


FIGURE 5

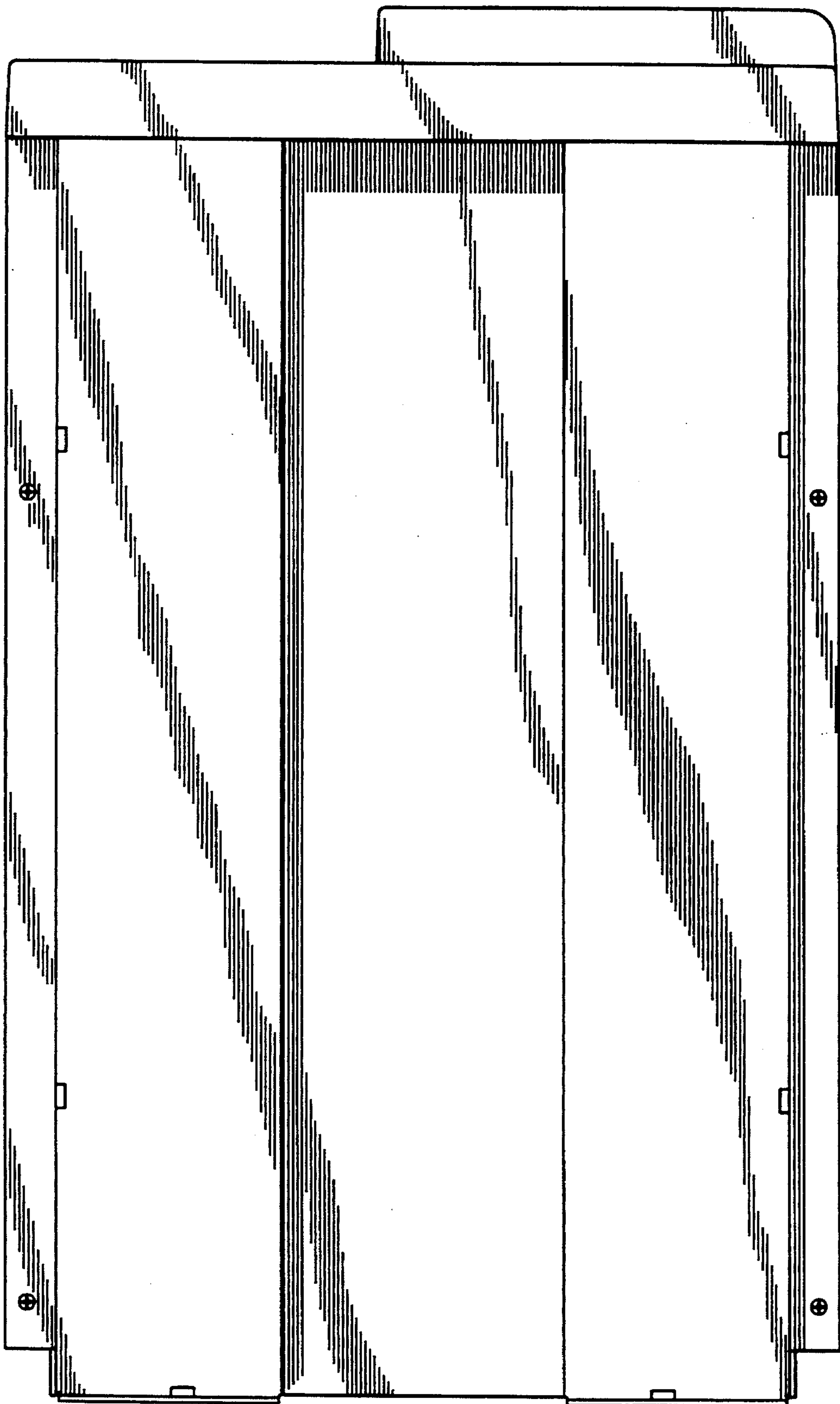


FIGURE 6

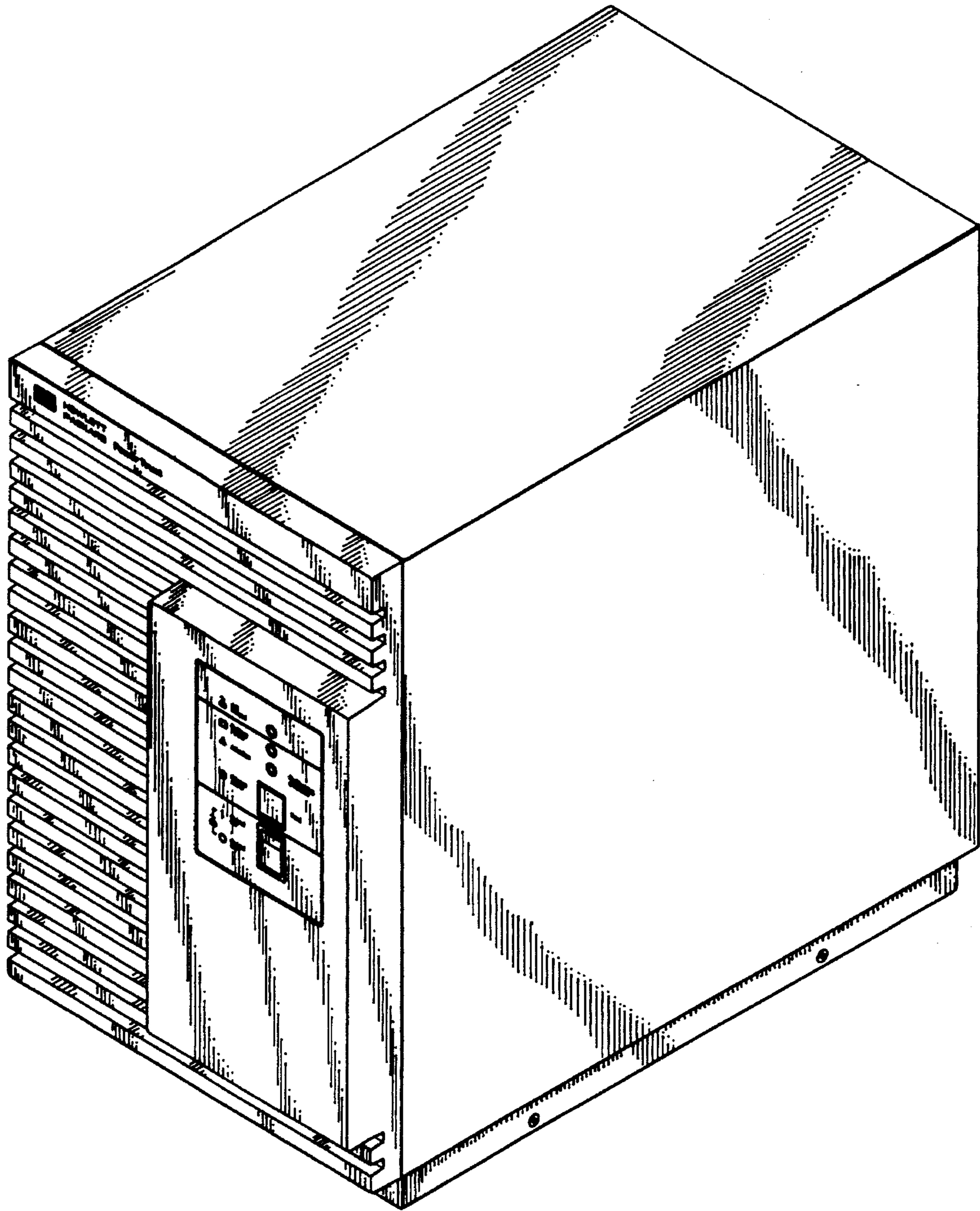


FIGURE 7