



US00D374858S

# United States Patent [19]

Chu

[11] **Patent Number:** **Des. 374,858**

[45] **Date of Patent:** **\*\*Oct. 22, 1996**

[54] **BATTERY CHARGER FOR A NOTEBOOK PERSONAL COMPUTER**

[76] Inventor: **Chi-Tsong Chu**, 5th Floor, No. 40, Alley 29, Lane 136, Kang-Lord Street, Nei-Hoou District, Taipei, Taiwan

[\*\*] Term: **14 Years**

[21] Appl. No.: **43,132**

[22] Filed: **Aug. 22, 1995**

[52] U.S. Cl. .... **D13/108**

[58] **Field of Search** ..... D13/107, 108; D14/138, 191, 240, 251, 253; 320/2, 3, 4, 15

[56] **References Cited**

**U.S. PATENT DOCUMENTS**

- D. 278,703 5/1985 Chiodo et al. .... D13/107
- D. 321,168 10/1991 Usami ..... D13/107

*Primary Examiner*—Joel Sincavage

*Attorney, Agent, or Firm*—L. Jon Lindsay

[57] **CLAIM**

The ornamental design for a battery charger for a notebook personal computer, as shown and described.

**DESCRIPTION**

FIG. 1 is a front, right side, top perspective view of a battery charger for a notebook personal computer showing my new design;

FIG. 2 is a front elevational view thereof;

FIG. 3 is a left side elevational view thereof;

FIG. 4 is a right side elevational view thereof;

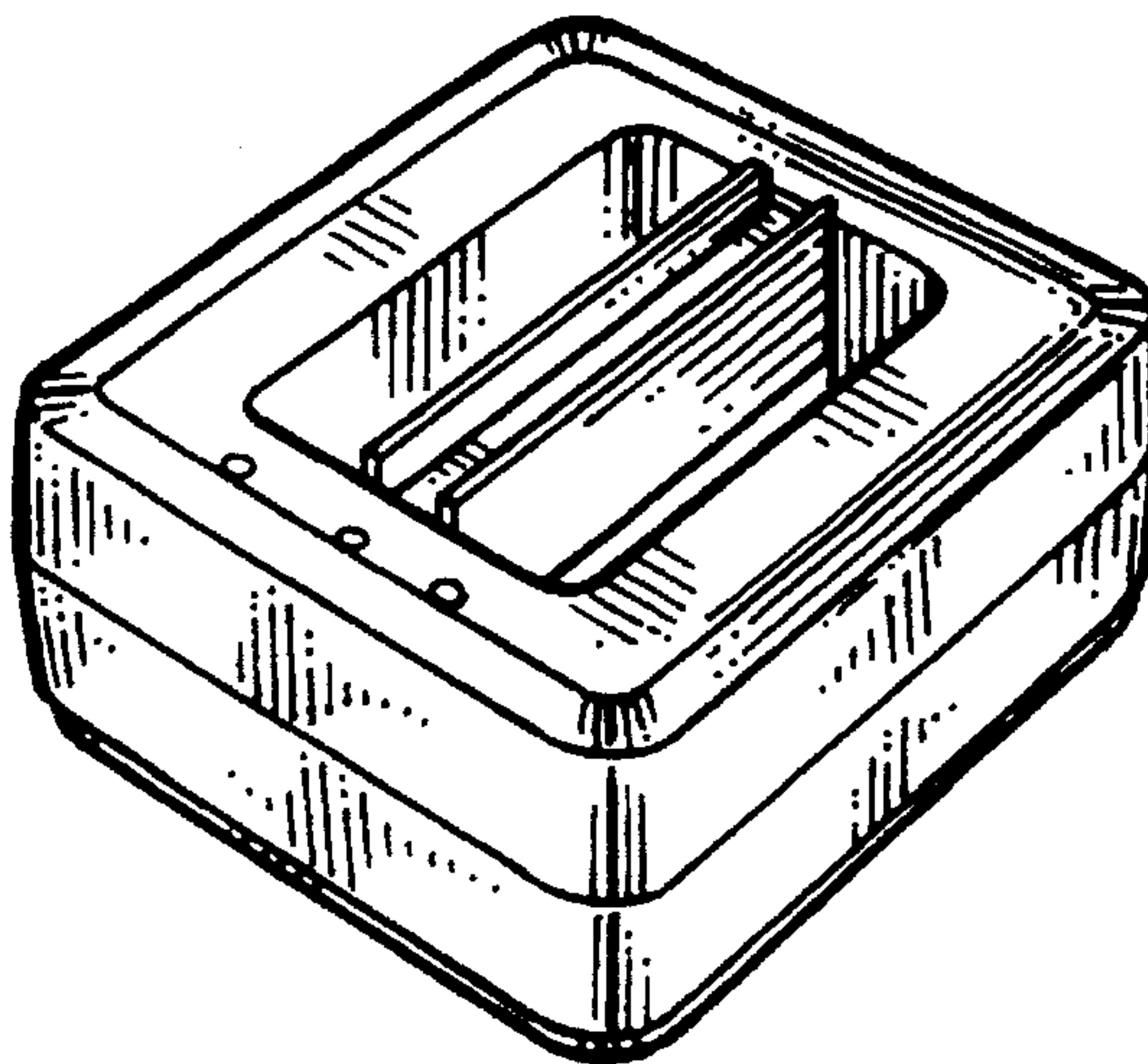
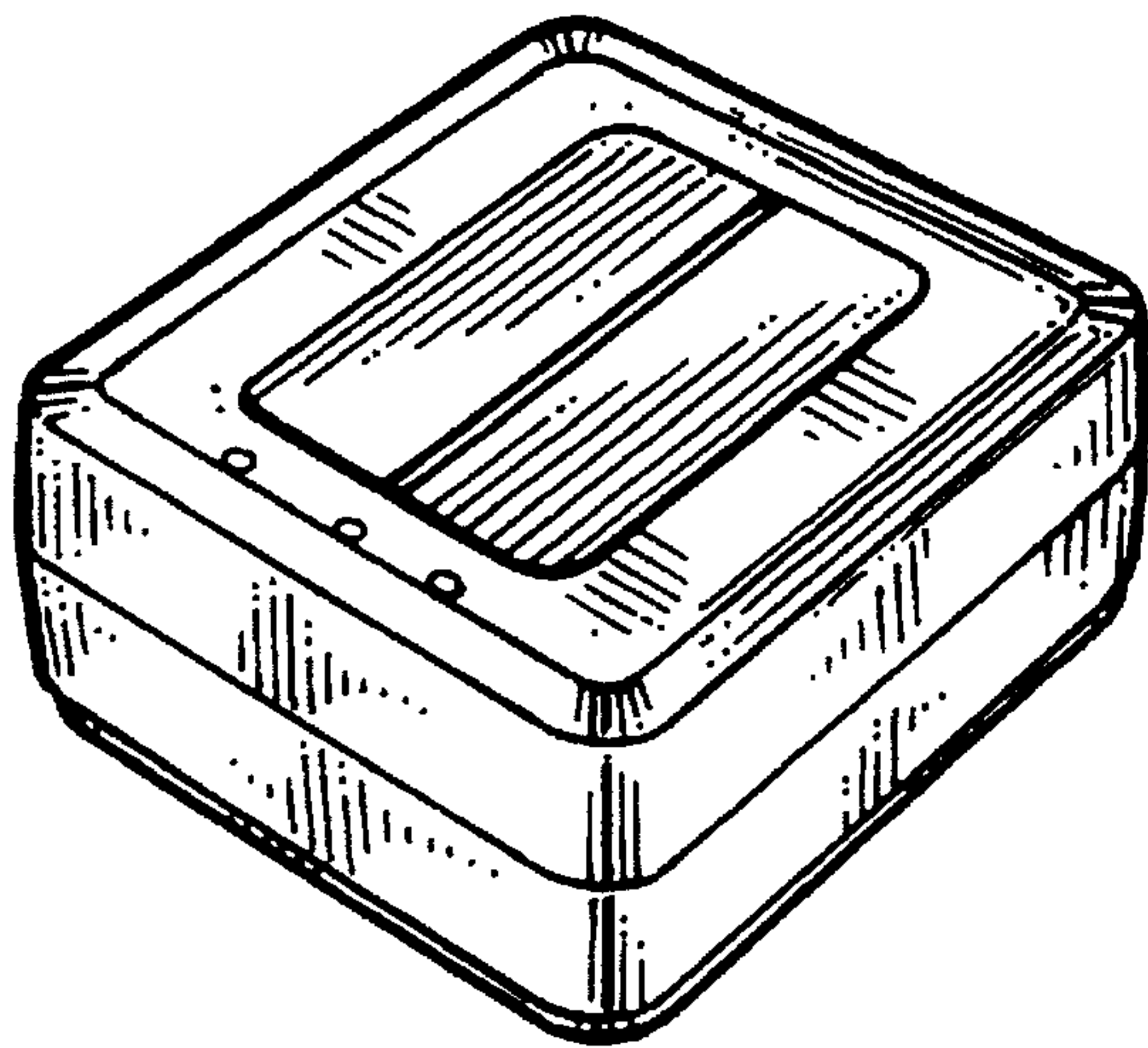
FIG. 5 is a top plan view thereof;

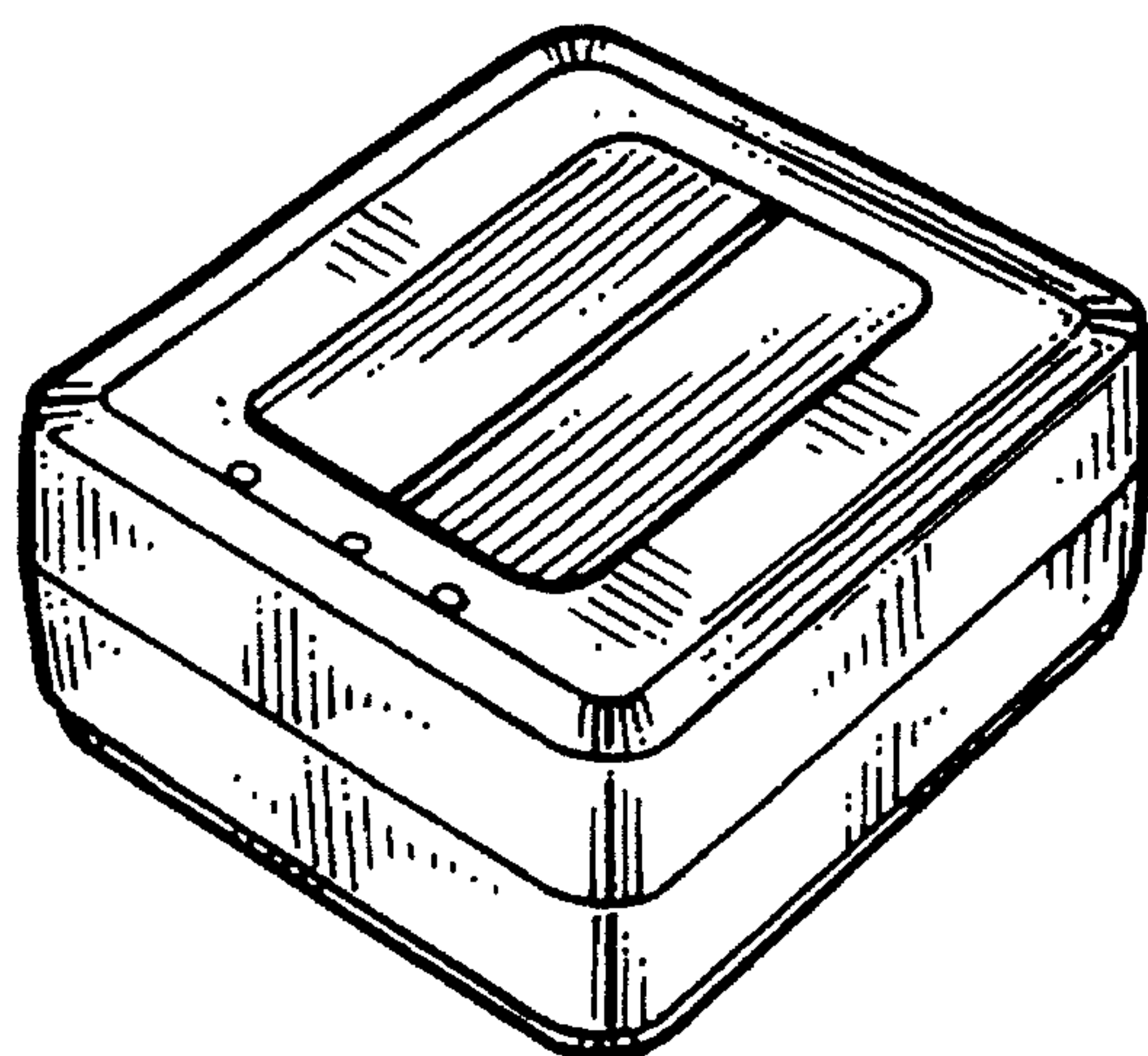
FIG. 6 is a rear elevational view thereof;

FIG. 7 is a bottom plan view thereof; and,

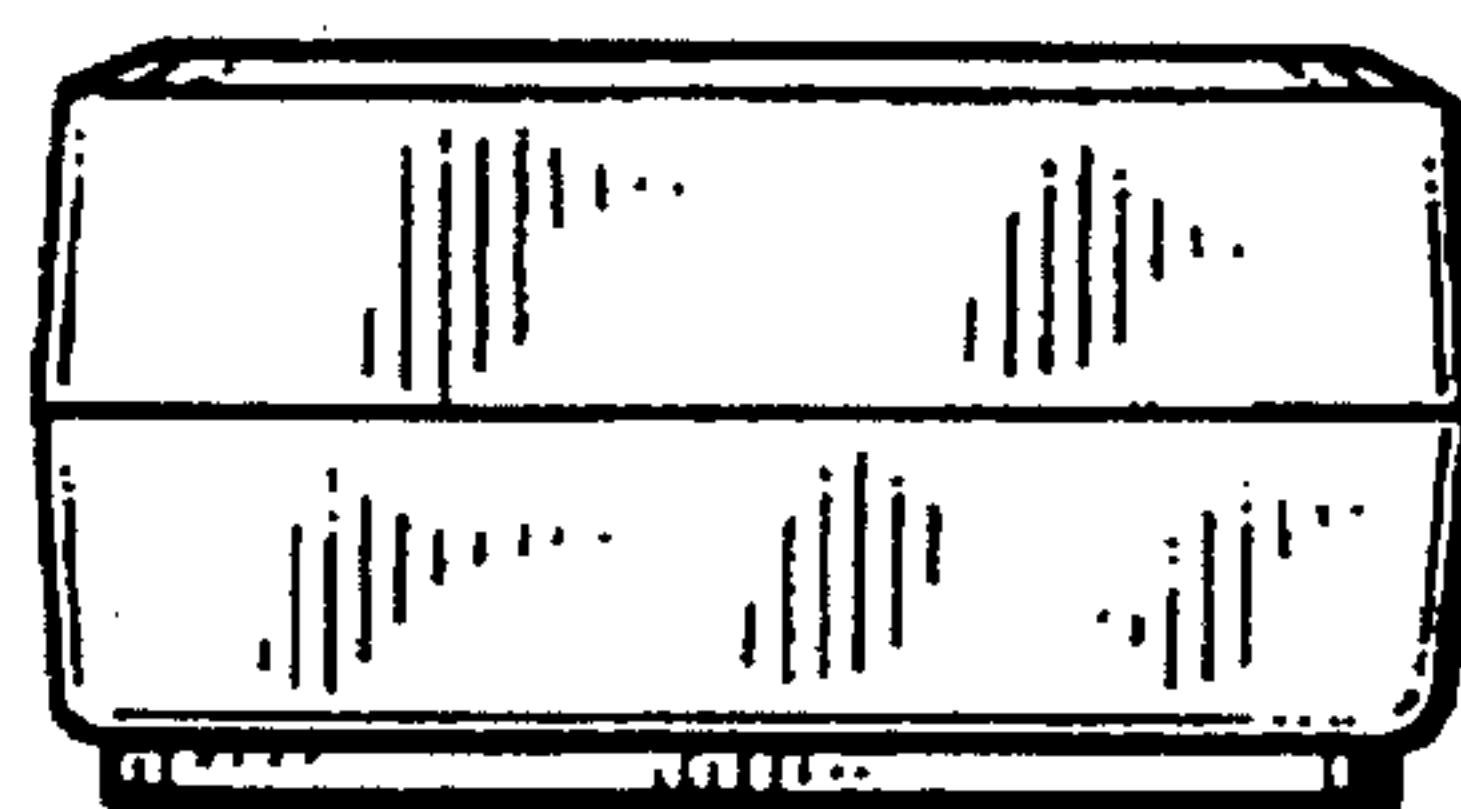
FIG. 8 is a front, right side, top perspective view of the battery charger for a notebook personal computer showing an alternative embodiment of my new design wherein the only difference is that the battery bay doors are open.

**1 Claim, 2 Drawing Sheets**



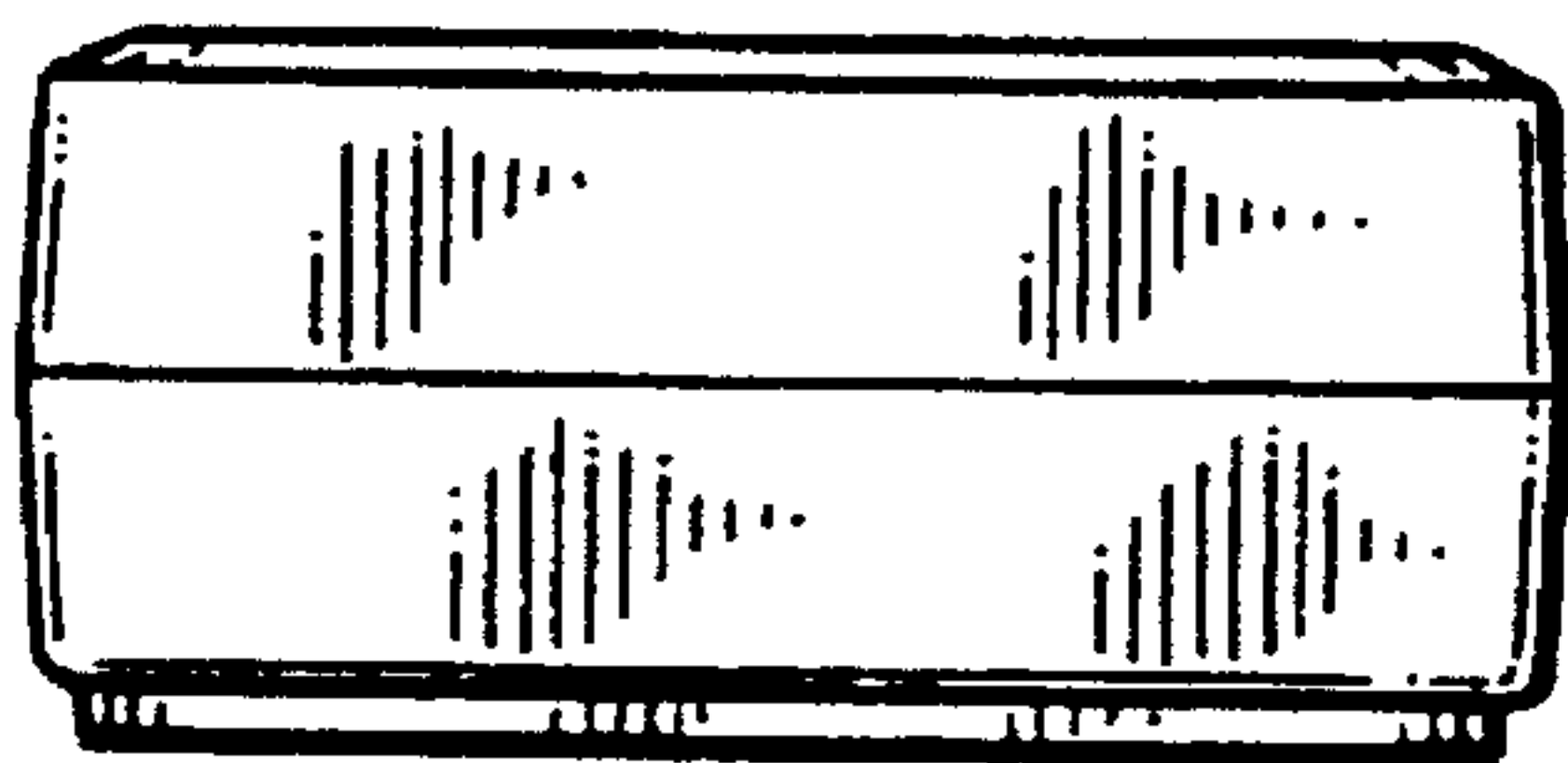


**FIG. 1**

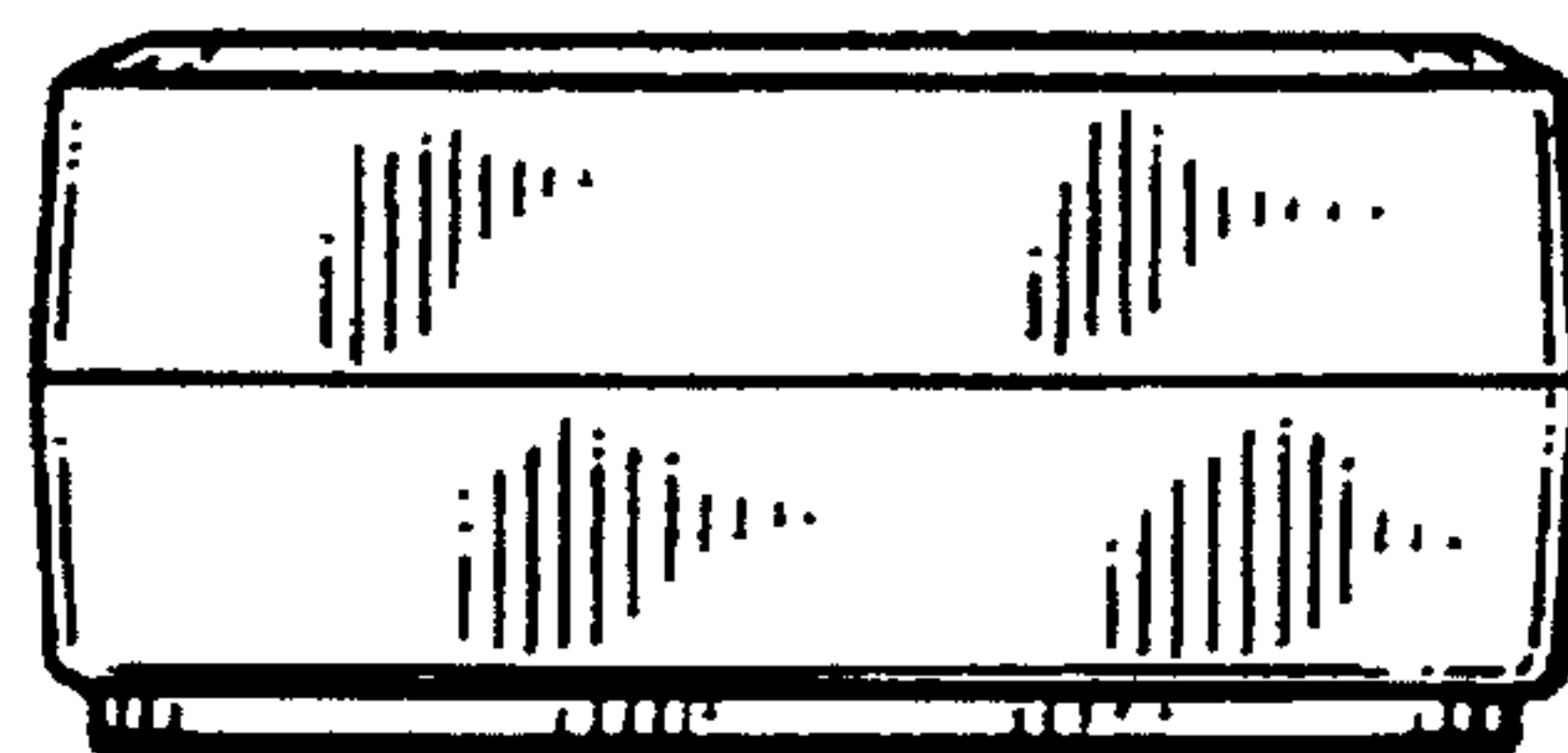


**FIG. 2**

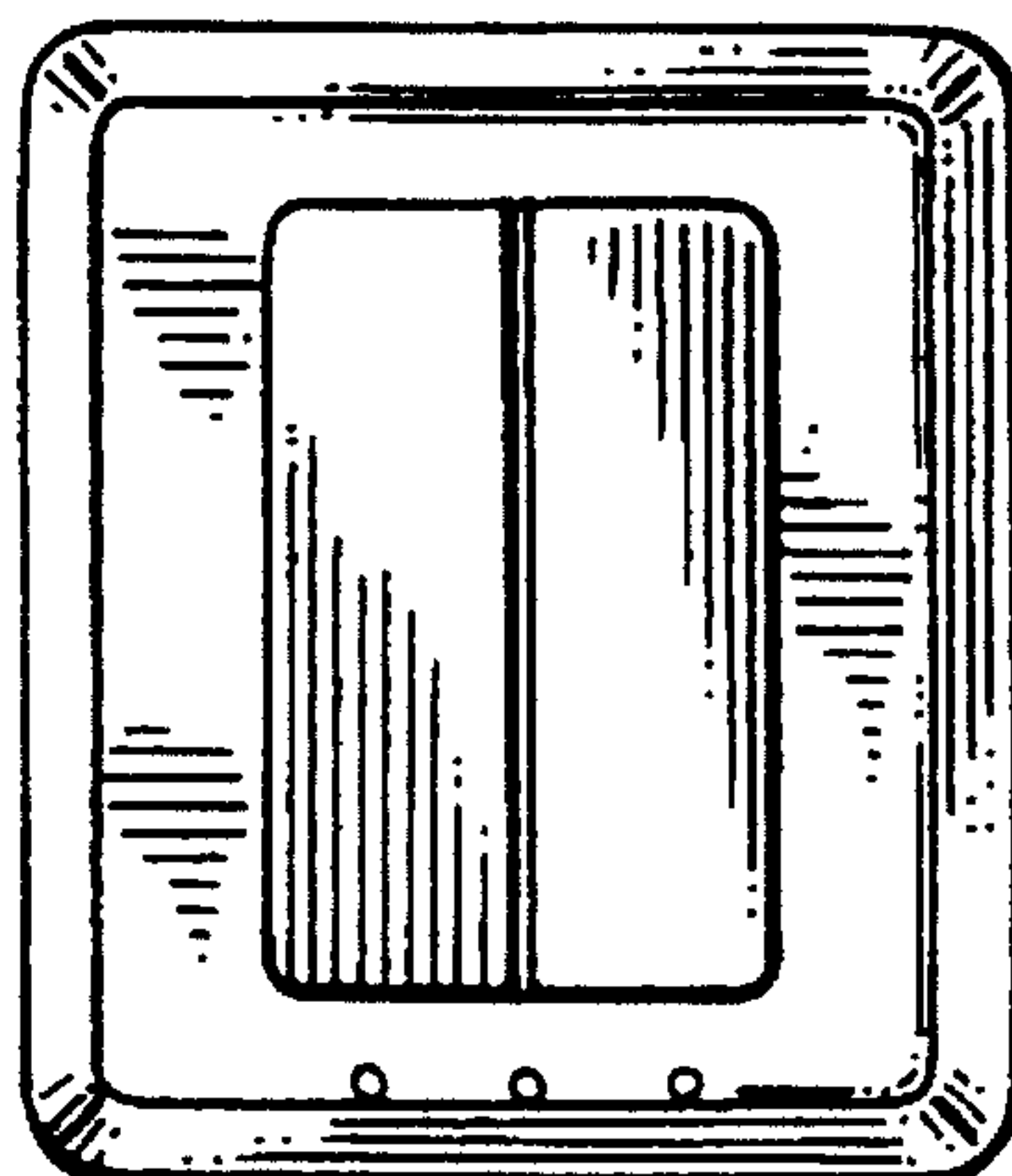
**FIG. 3**

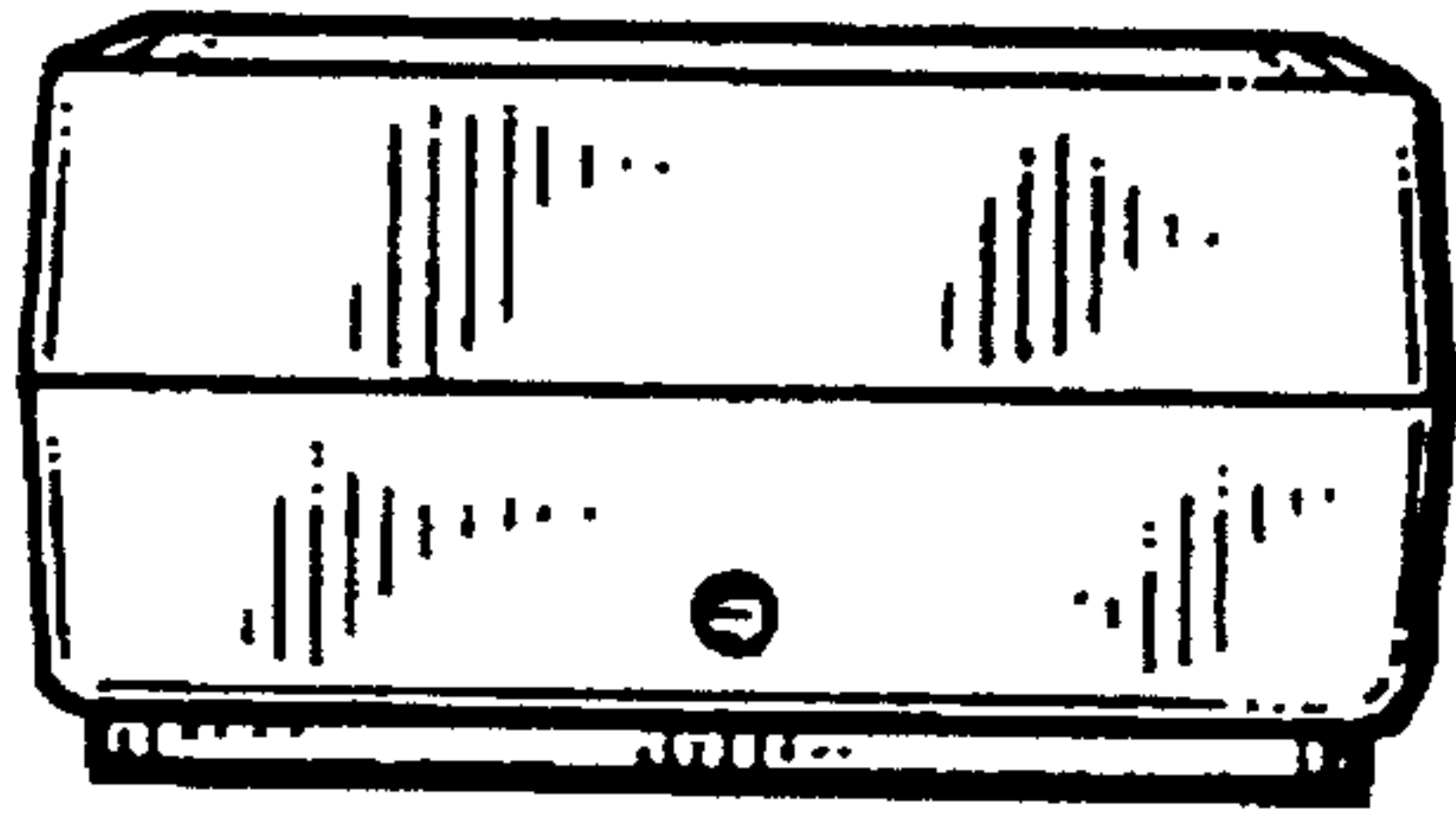


**FIG. 4**



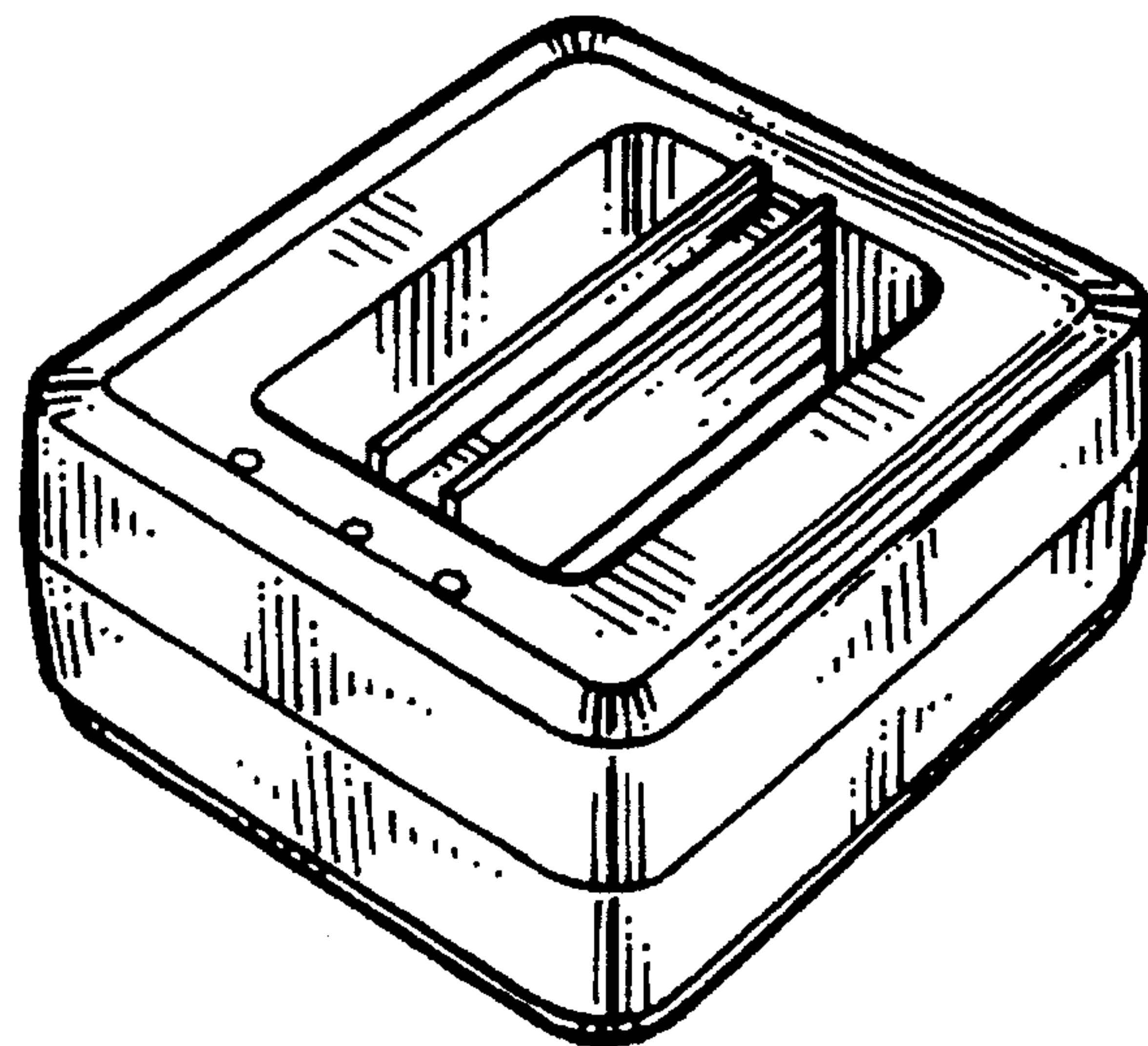
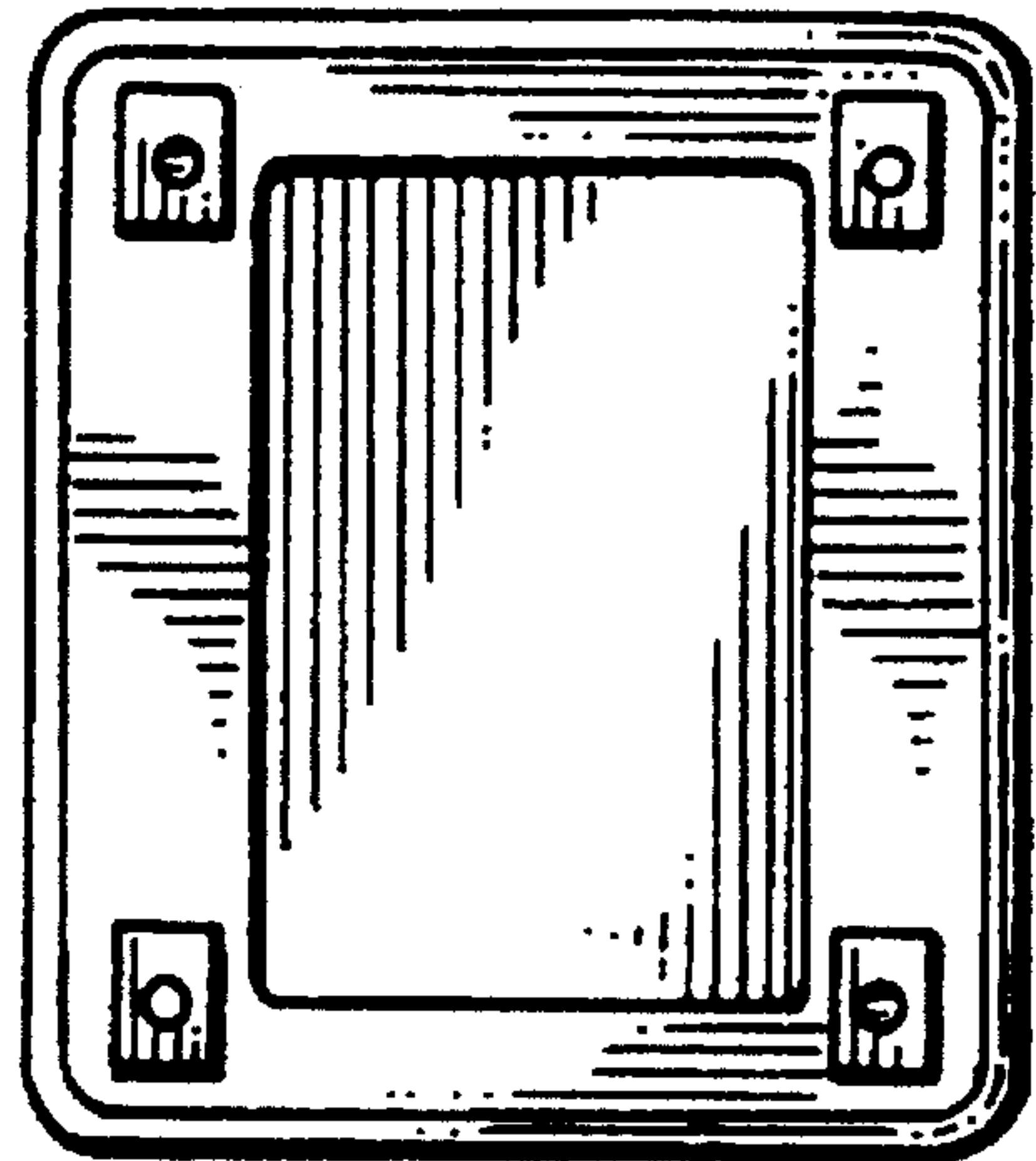
**FIG. 5**





**FIG. 6**

**FIG. 7**



**FIG. 8**