



US00D374854S

United States Patent [19]

[11] **Patent Number: Des. 374,854**

Little et al.

[45] **Date of Patent: **Oct. 22, 1996**

[54] **TAILGATE GAP COVER**

OTHER PUBLICATIONS

[76] Inventors: **James E. Little; Narcisa T. Little**, both of 15816 8 Ave. NE., Seattle, Wash. 98155

JC Whitney & Co Catalog, No. 575C, © 1995, p. 112.

[**] Term: **14 Years**

Primary Examiner—Melody N. Brown
Attorney, Agent, or Firm—Harold H. Dutton, Jr.; Diane S. Liebman; W. Charles L. Jamison

[21] Appl. No.: **43,692**

[57] **CLAIM**

[22] Filed: **Sep. 11, 1995**

The ornamental design for a tailgate gap cover, as shown.

[52] U.S. Cl. **D12/400**; D12/196

DESCRIPTION

[58] **Field of Search** D12/400, 126, D12/196, 190; 296/3, 26, 50, 91, 51, 52, 180.1, 180.4; 224/403

FIG. 1 is a perspective view of a tailgate gap cover showing my new design;

FIG. 2 is a left side view thereof;

FIG. 3 is a right side view thereof;

FIG. 4 is a front view thereof;

FIG. 5 is a rear view thereof;

FIG. 6 is a top view thereof; and,

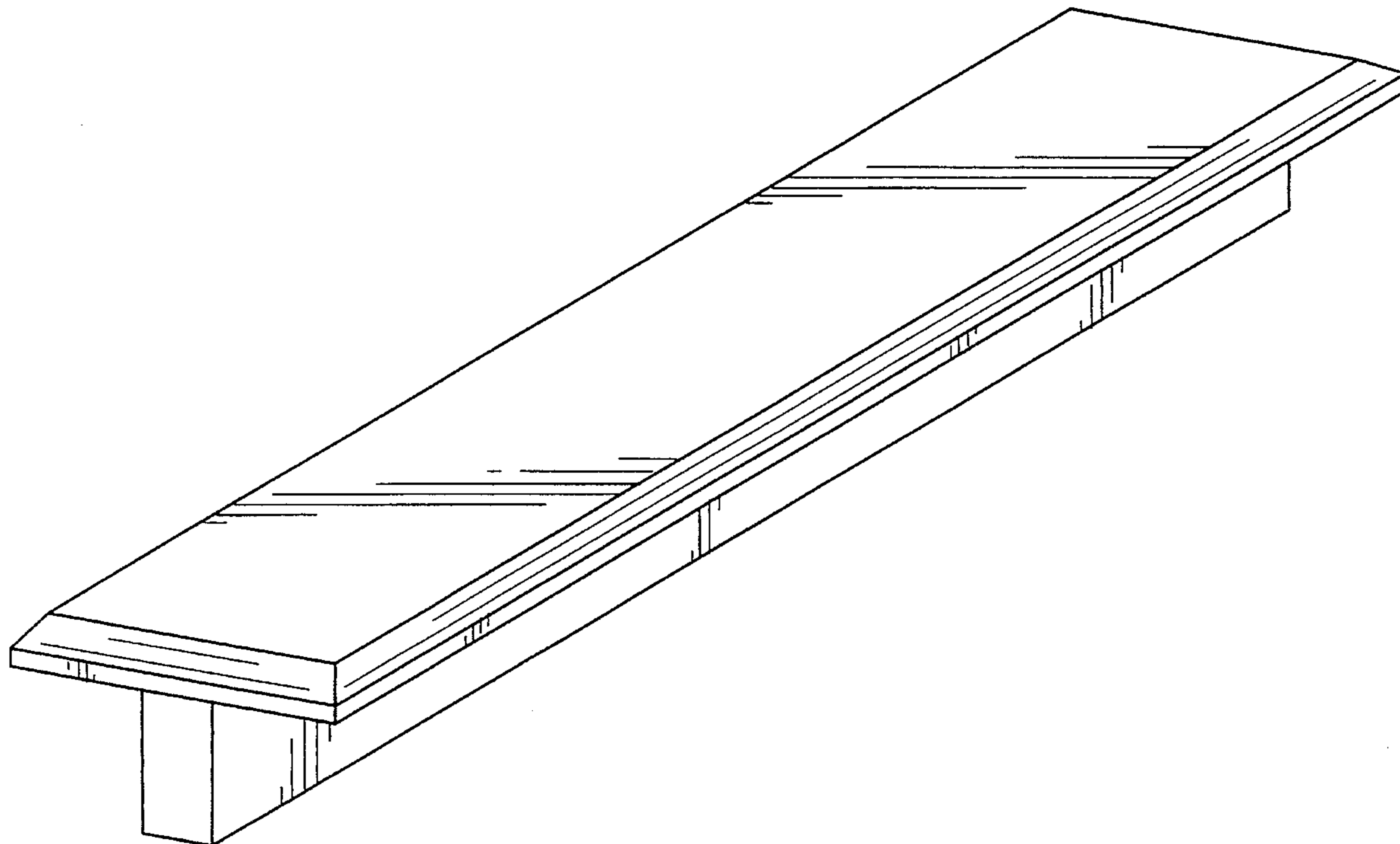
FIG. 7 is a bottom view thereof.

[56] **References Cited**

U.S. PATENT DOCUMENTS

D. 305,320	1/1990	Mountz	D12/190
D. 351,820	10/1994	Knapp, Jr.	D12/190
5,104,171	4/1992	Johnson	296/50
5,324,092	6/1994	Burg	296/180.1
5,393,115	2/1995	Hamilton	296/52

1 Claim, 3 Drawing Sheets



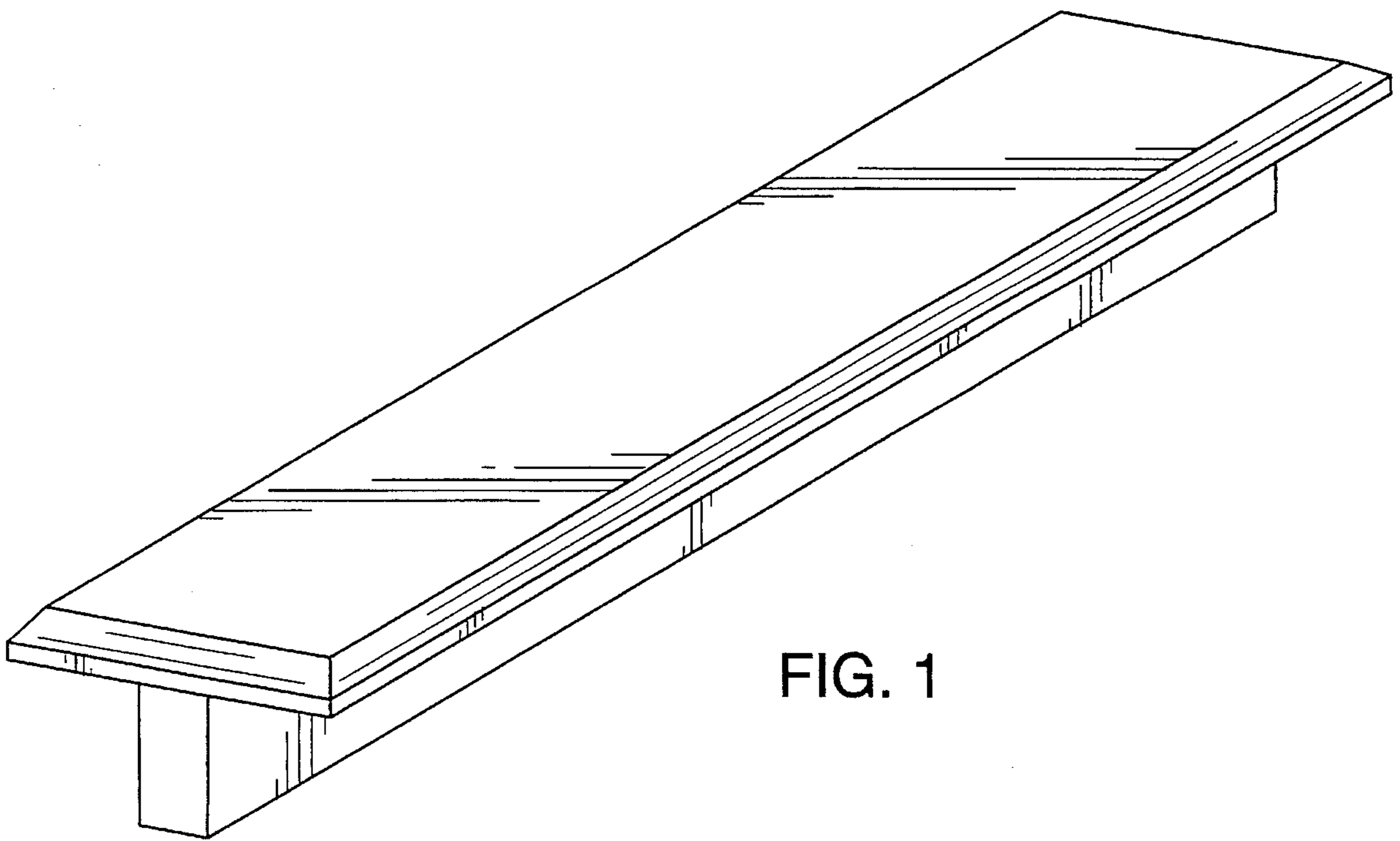


FIG. 1

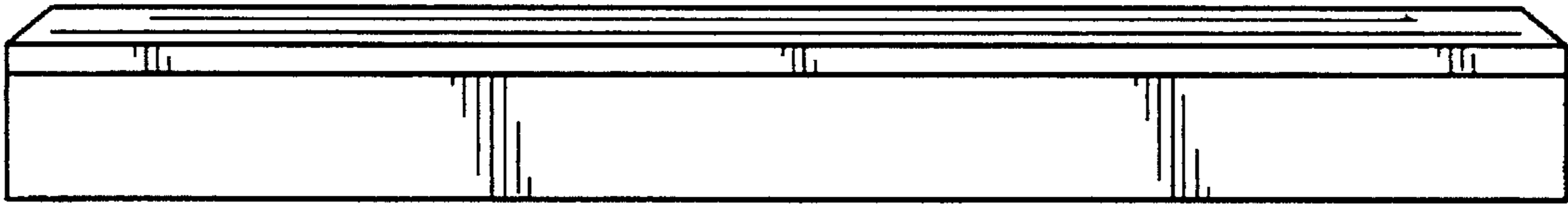


FIG. 2

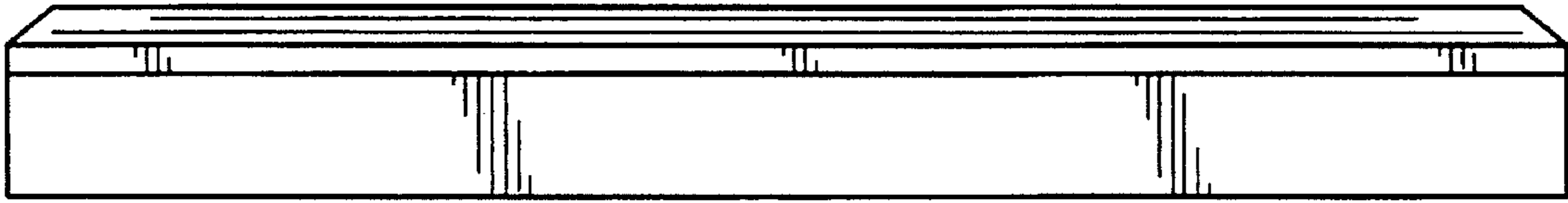


FIG. 3

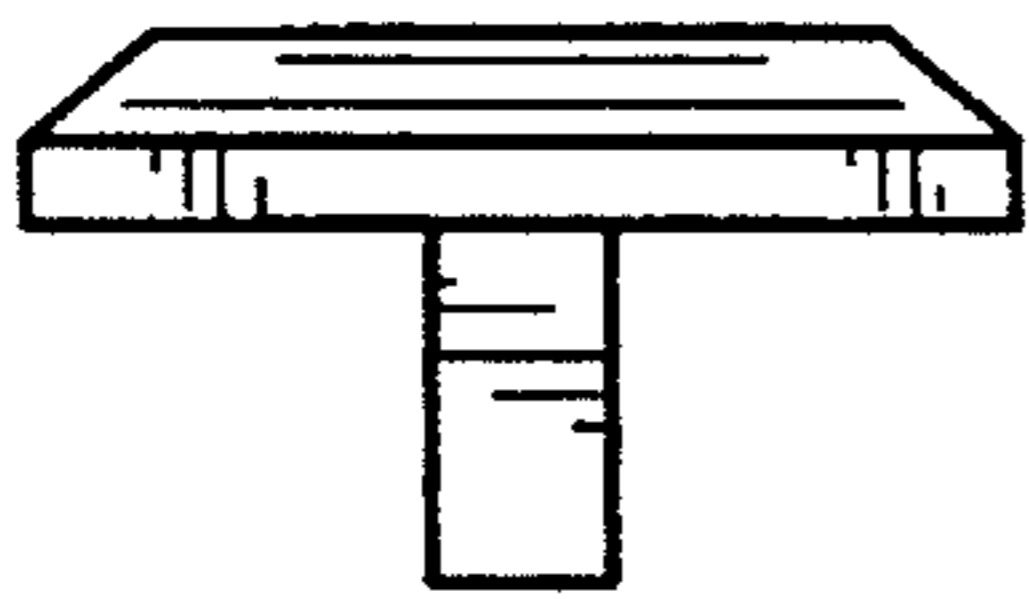
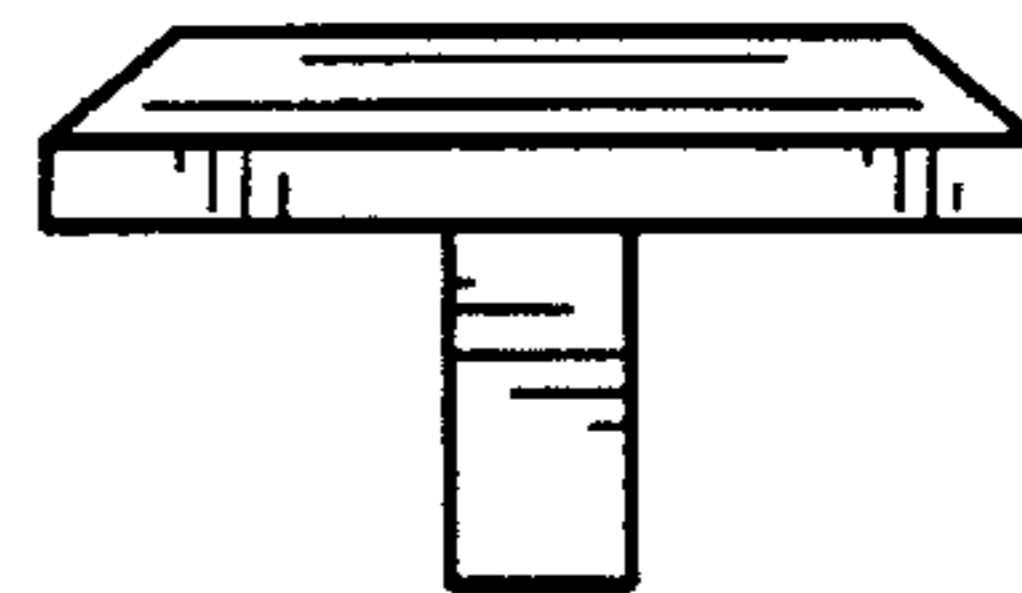


FIG. 4

FIG. 5



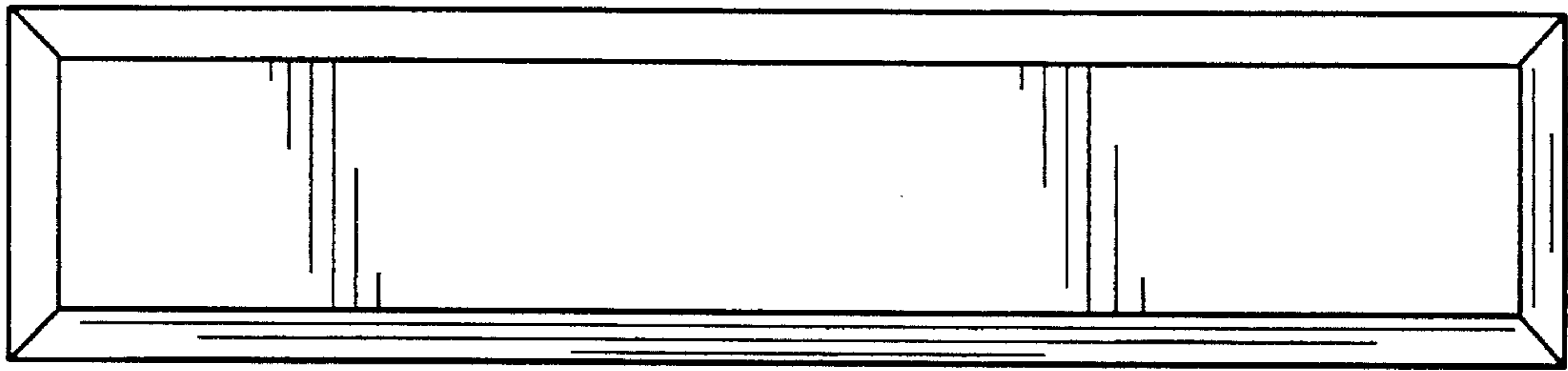


FIG. 6

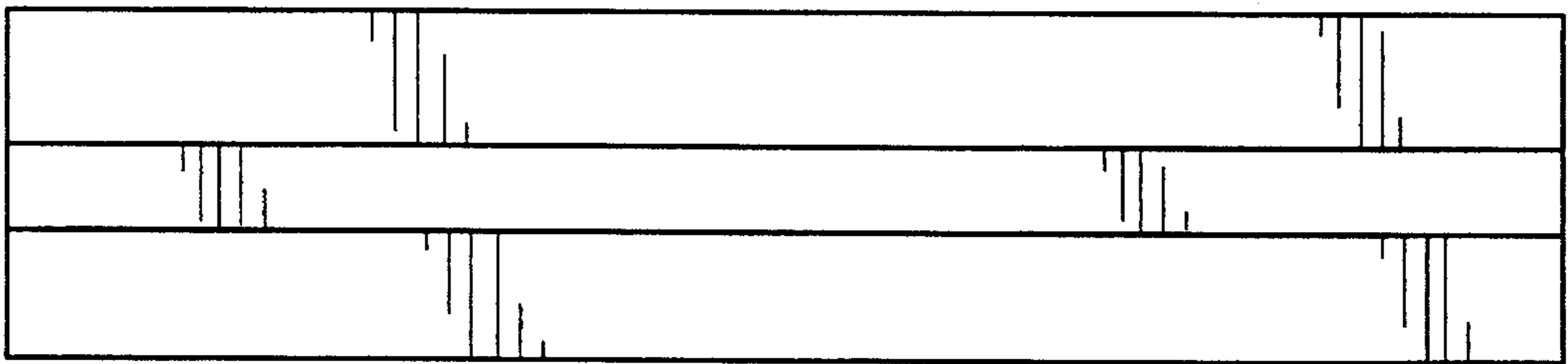


FIG. 7