



US00D374848S

# United States Patent [19]

Liles et al.

[11] Patent Number: **Des. 374,848**

[45] Date of Patent: **\*\*Oct. 22, 1996**

[54] **BICYCLE ARMOR**

5,326,606 7/1994 Labock ..... 428/49  
5,377,577 1/1995 Bounkong et al. .... 89/36.05

[76] Inventors: **Michael B. Liles**, 14832 Emberdale Dr., Woodbridge, Va. 22193; **Patrick Pierce**, 219 Tiano St., Fairmont, W. Va. 26554

### FOREIGN PATENT DOCUMENTS

3627485 2/1988 Germany .  
2122732 1/1984 United Kingdom .

[\*\*] Term: **14 Years**

*Primary Examiner*—Melody N. Brown  
*Attorney, Agent, or Firm*—Richard C. Litman

[21] Appl. No.: **45,470**

[22] Filed: **Oct. 20, 1995**

[52] U.S. Cl. .... **D12/114**

[58] Field of Search ..... D12/114, 111,  
D12/409, 410; 280/281.1, 288.1–288.3,  
288.4; 224/30–35

### [57] CLAIM

The ornamental design for a bicycle armor, as shown and described.

### DESCRIPTION

FIG. 1 is a perspective view of bicycle armor showing our new design; and,

FIG. 2 is an environmental front elevational view with the rear view being a mirror image thereof.

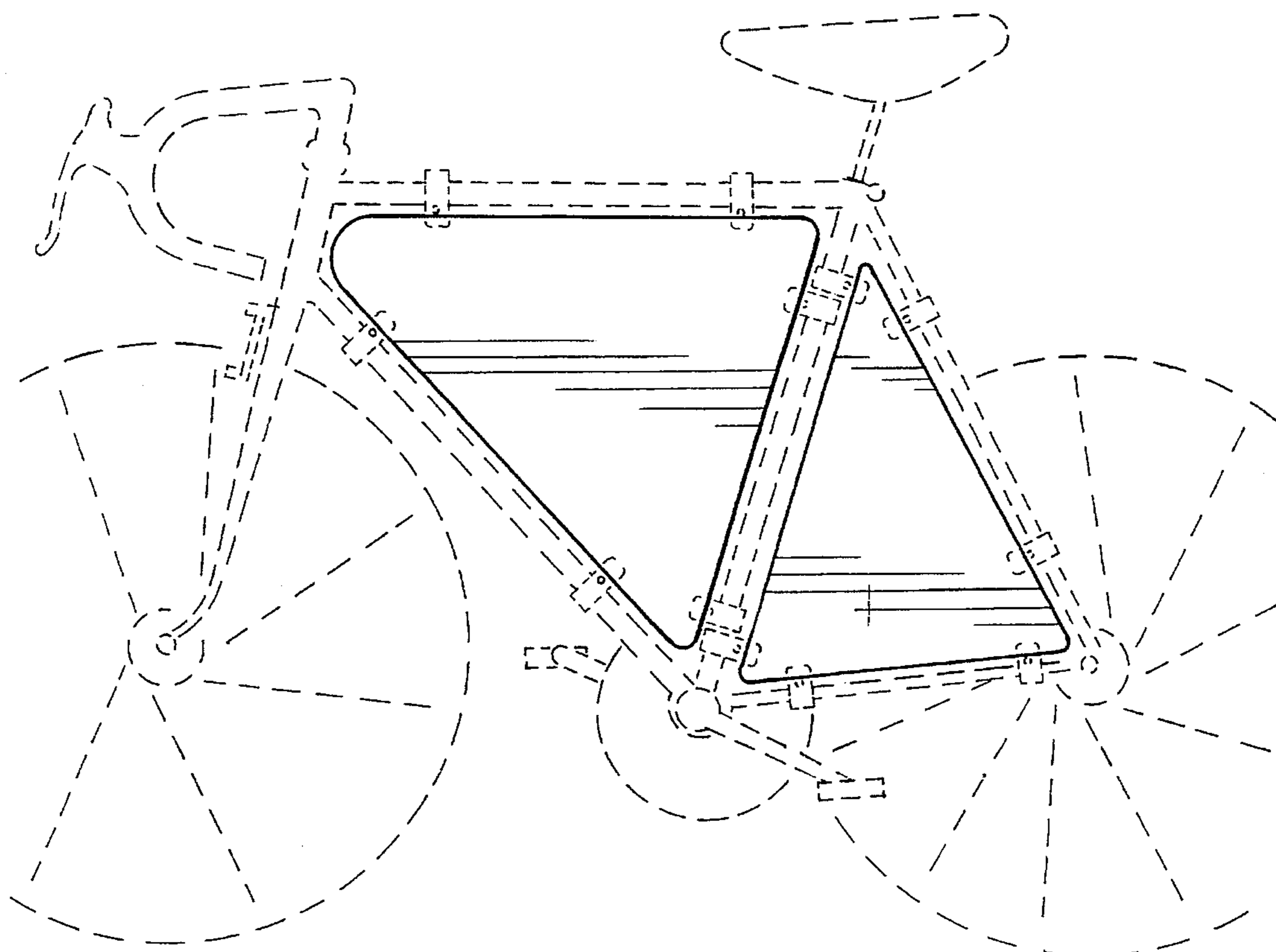
The broken line showing of the clamps in FIG. 2 is for illustrative purposes only, merely disclosing a type of attachment which can be used, and forms no part of the claimed design. The broken line showing of the bicycle is for illustrative purposes only and forms no part of the claimed design. The undisclosed left, right, top, and bottom views are plain and unornamented.

### [56] References Cited

#### U.S. PATENT DOCUMENTS

558,812	4/1896	Hunt .....	296/78.1
3,866,242	2/1975	Slagel .....	296/78.1
3,997,184	12/1976	Pitt .....	280/288.4
4,442,780	4/1984	Child .....	109/29
4,613,146	9/1986	Sharp et al. ....	D12/111
4,674,394	6/1987	Martino .....	89/36.05
5,072,979	12/1991	Swinton .....	296/128
5,094,502	3/1992	Mote .....	89/36.05
5,249,721	10/1993	Brooks .....	224/35
5,271,311	12/1993	Madden, Jr. ....	89/36.02
5,317,950	6/1994	Binon et al. ....	89/36.02

**1 Claim, 1 Drawing Sheet**



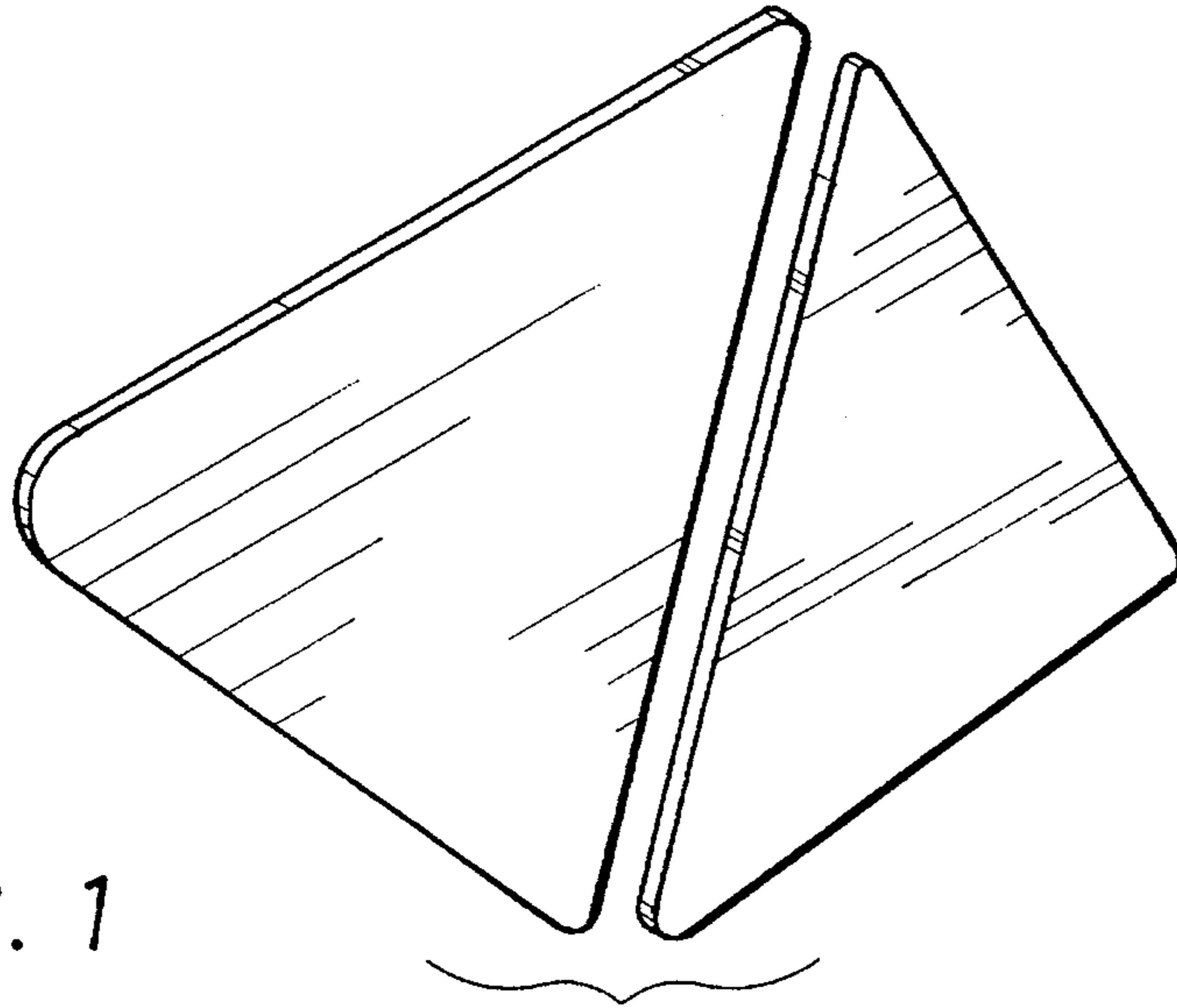


FIG. 1

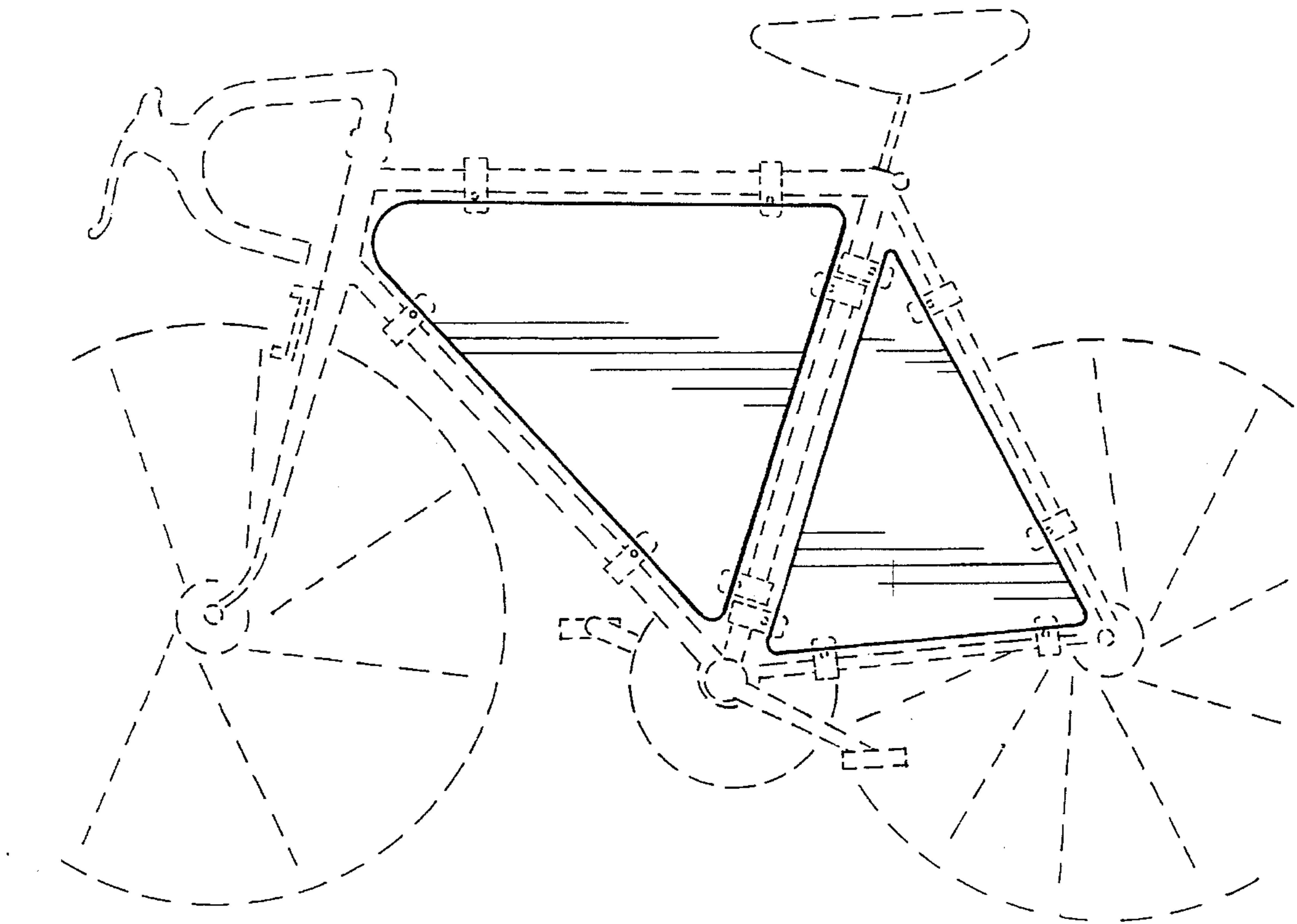


FIG. 2