



US00D374846S

United States Patent [19]

[11] Patent Number: **Des. 374,846**

Dickhaut et al.

[45] Date of Patent: ****Oct. 22, 1996**

[54] **BODY SNOW SLED WITH FOREARM BLADES**

4,678,445	7/1987	Monreal	280/18
4,909,524	3/1990	Paine	280/18
4,928,983	5/1990	Maass	280/18
4,968,046	11/1990	O'Connell	280/12.11
4,969,655	11/1990	Katz	280/14.2

[76] Inventors: **Jeffery J. Dickhaut; Donald Dickhaut**, both of 2745 Carnation Way, Thornton, Colo. 80229

Primary Examiner—Melody N. Brown
Attorney, Agent, or Firm—Harpman & Harpman

[**] Term: **14 Years**

[57] **CLAIM**

[21] Appl. No.: **47,752**

The ornamental design for a body snow sled with forearm blades, as shown and described.

[22] Filed: **Dec. 12, 1995**

[52] U.S. Cl. **D12/11; 280/18.1**

DESCRIPTION

[58] Field of Search D12/6, 11; 280/18, 280/18.1, 12.1, 12.11, 19

FIG. 1 is a front, top and side perspective view of the body snow sled with forearm blades embodying the design of the present invention;

[56] **References Cited**

U.S. PATENT DOCUMENTS

D. 309,123	7/1990	Brooks	D12/11
D. 319,806	9/1991	Sehmid	D12/11
D. 356,284	3/1995	Mighels, III	D12/11
D. 356,756	3/1995	Kilk et al.	D12/11
4,657,266	4/1987	Böhme	280/18
4,666,171	5/1987	Sellers	280/18

FIG. 2 is a front elevational view thereof;

FIG. 3 is a rear elevational view thereof;

FIG. 4 is a right side elevational view thereof;

FIG. 5 is a left side elevational view thereof;

FIG. 6 is a top plan view thereof; and,

FIG. 7 is a bottom plan view thereof.

1 Claim, 4 Drawing Sheets

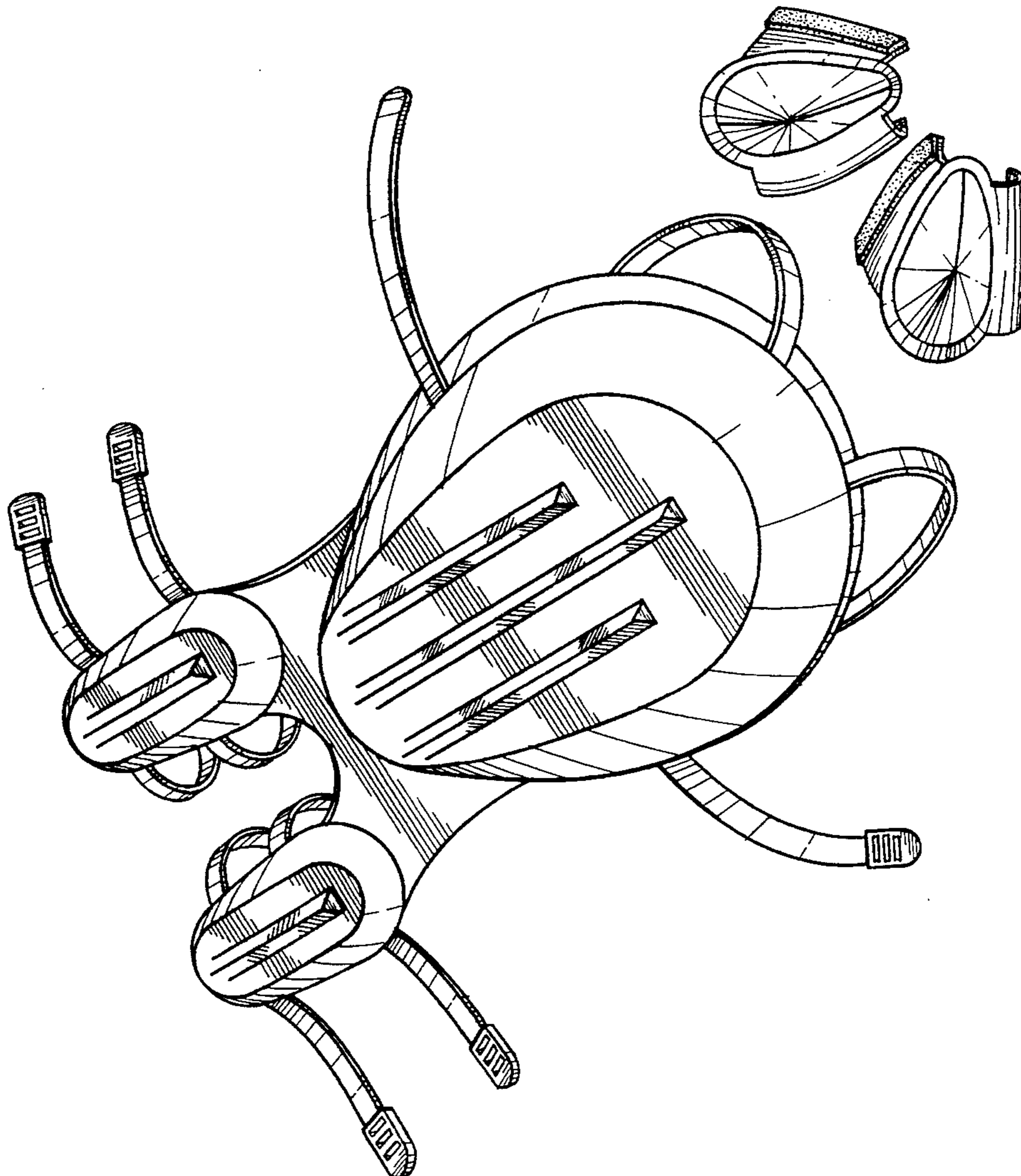


FIG. 1.

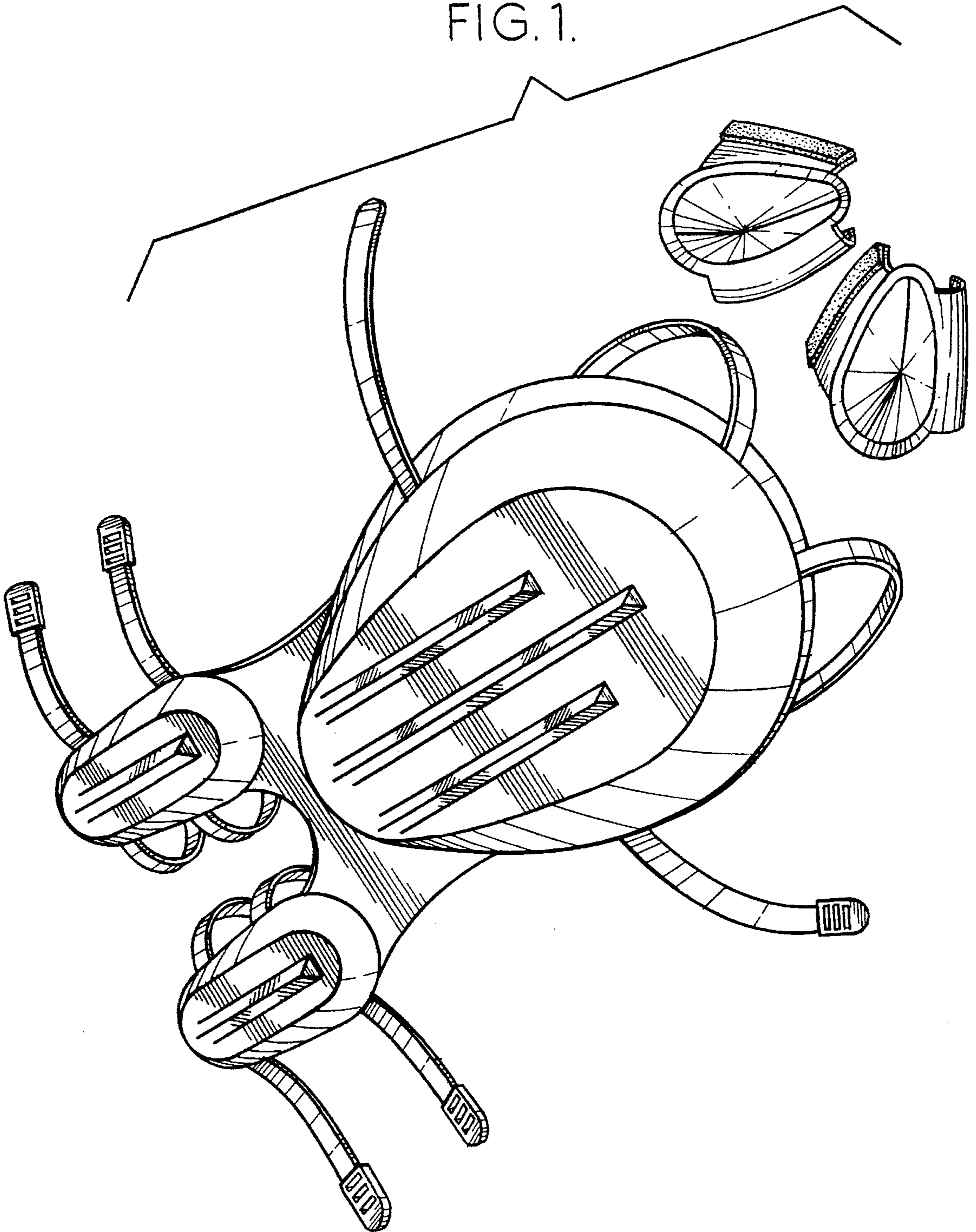


FIG. 6.

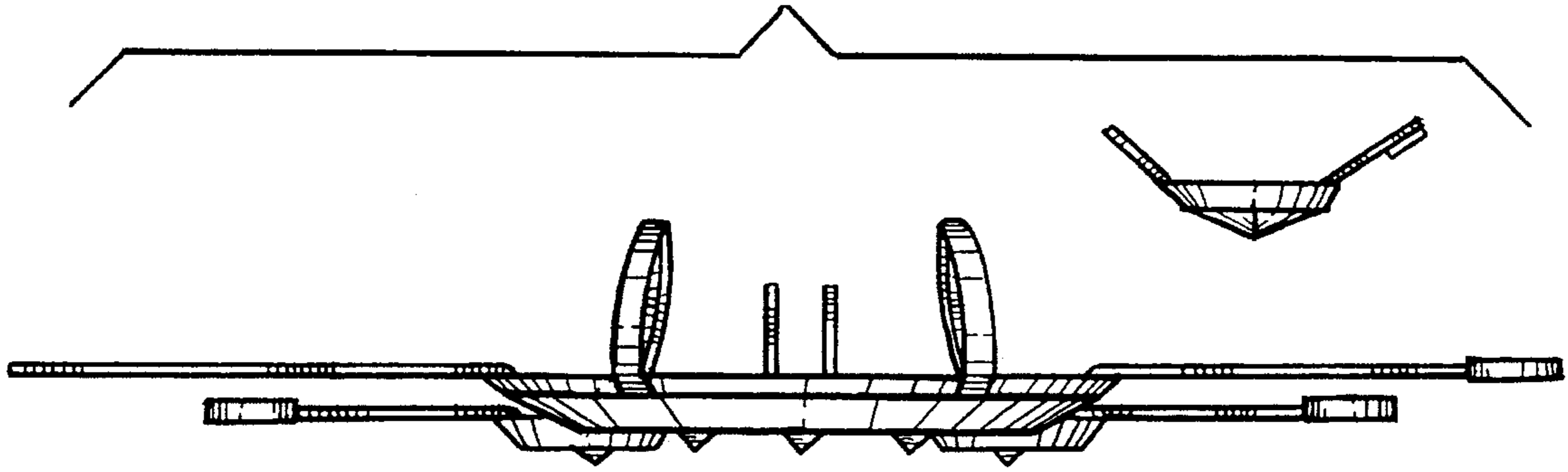
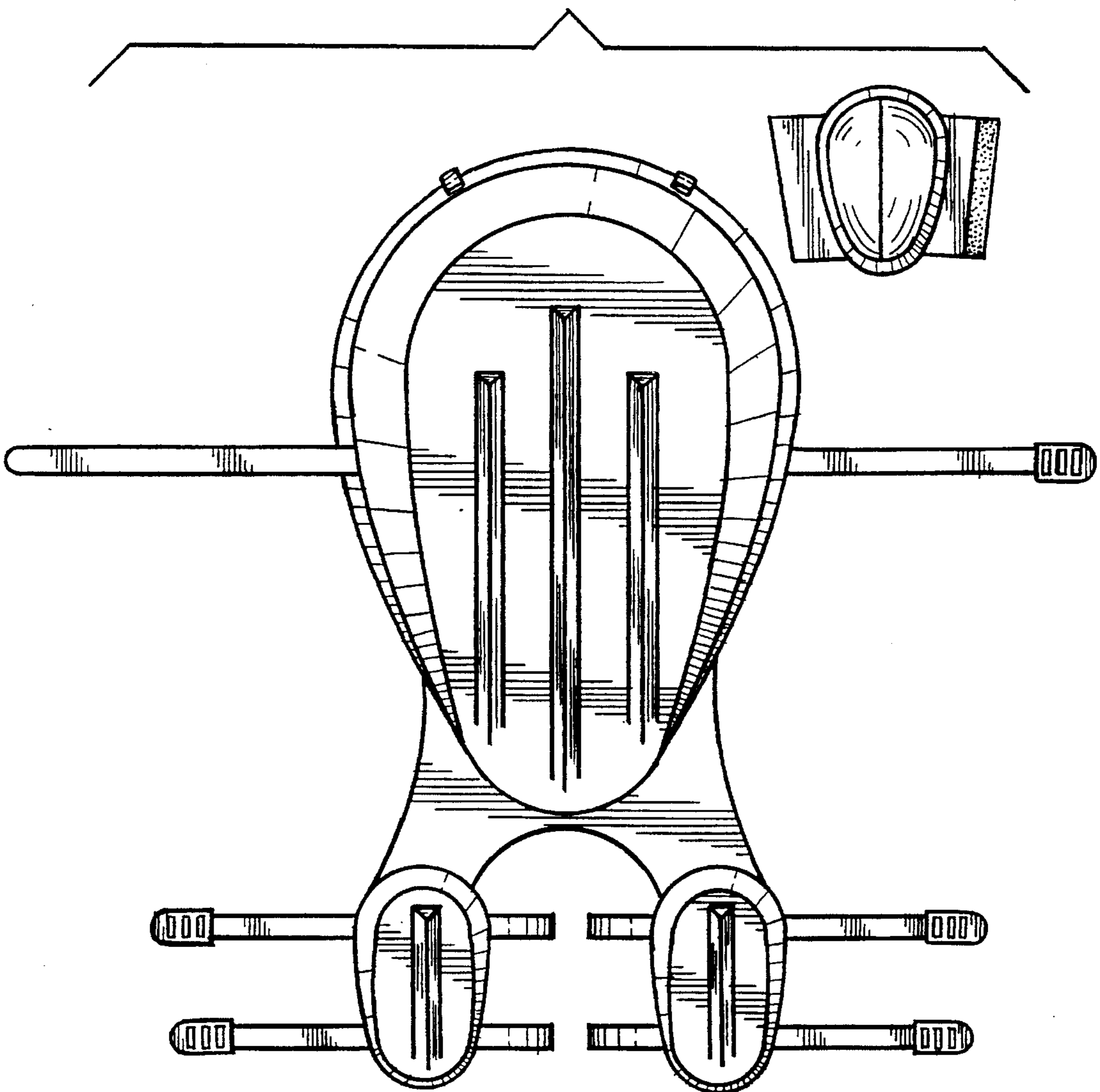


FIG. 2.



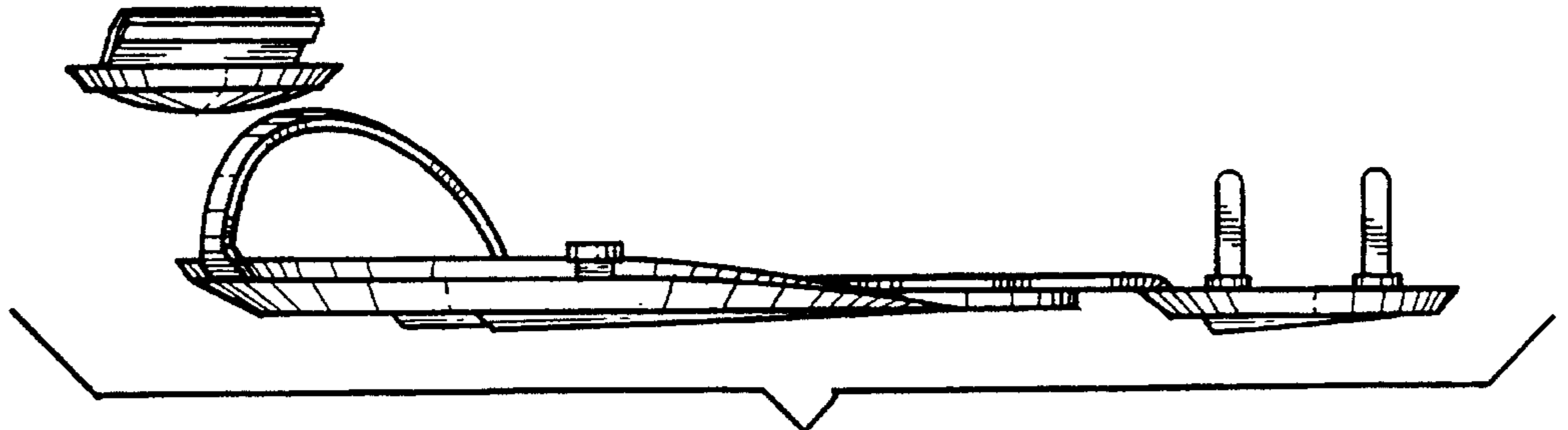


FIG. 4.

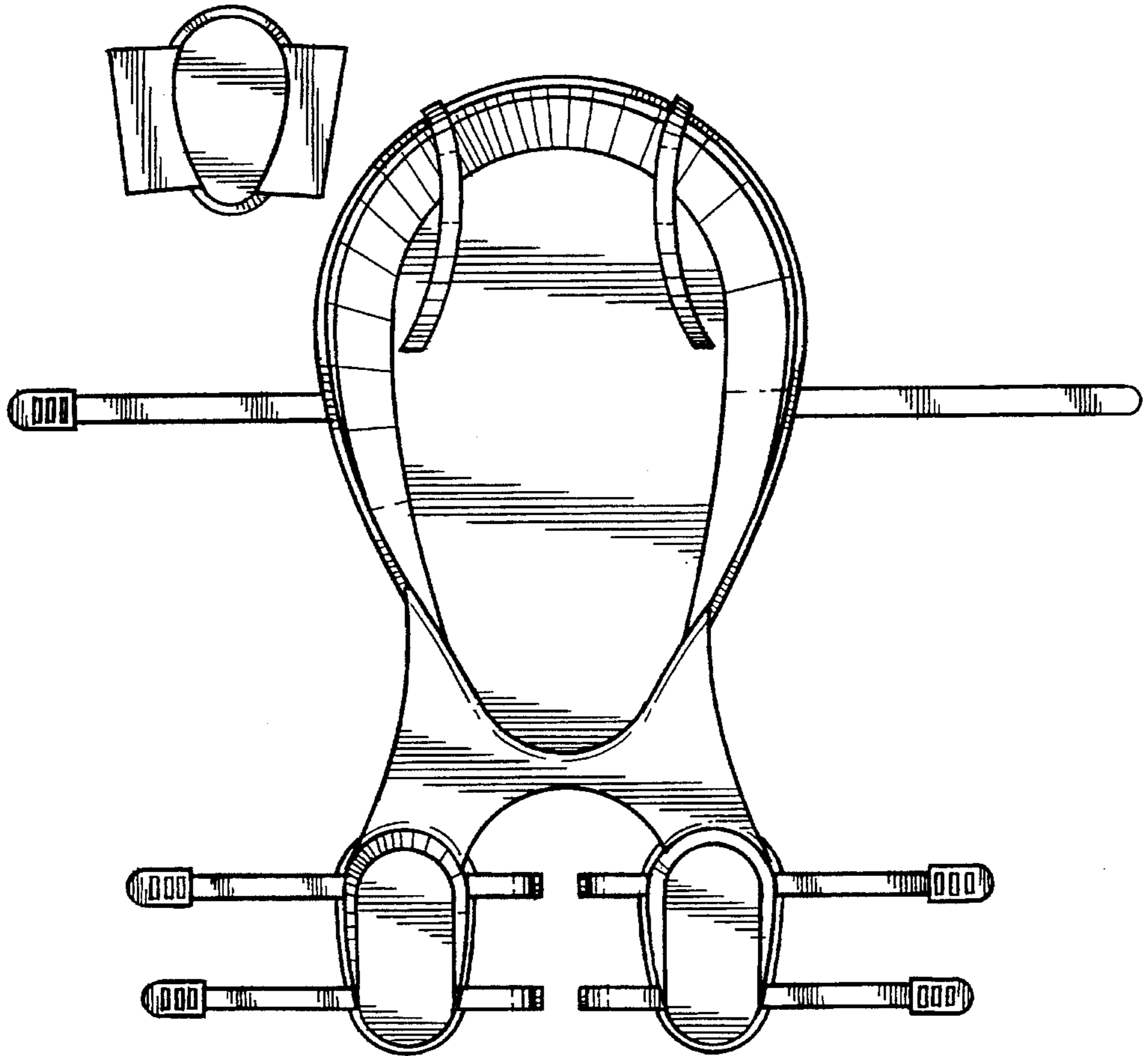


FIG. 3.

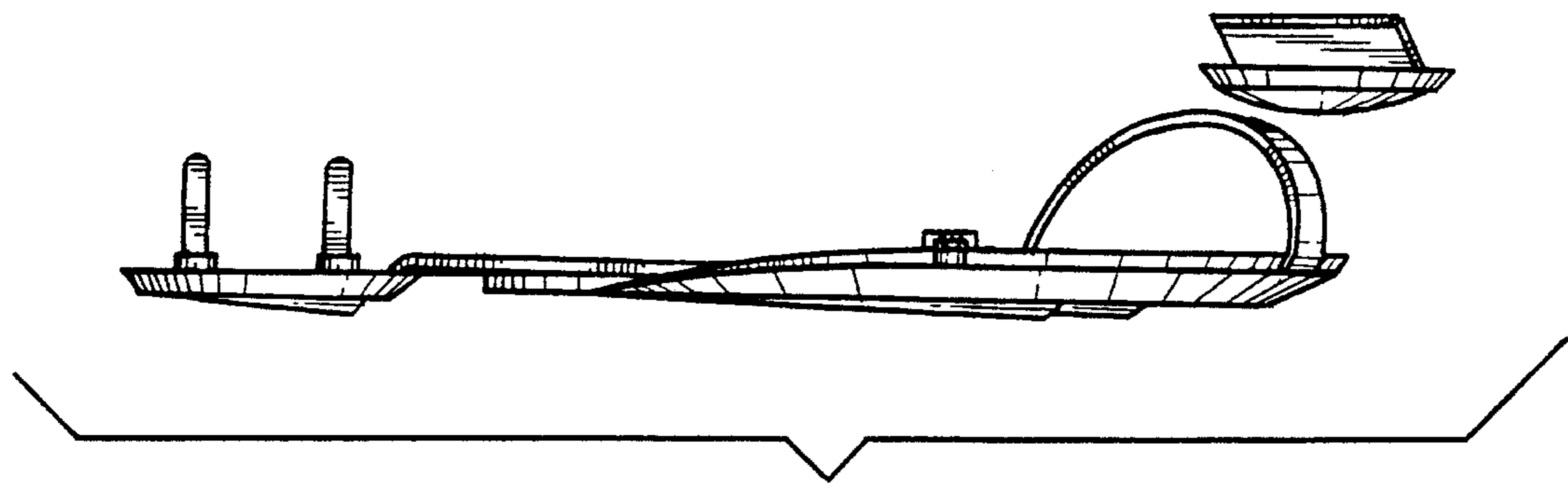


FIG. 5.

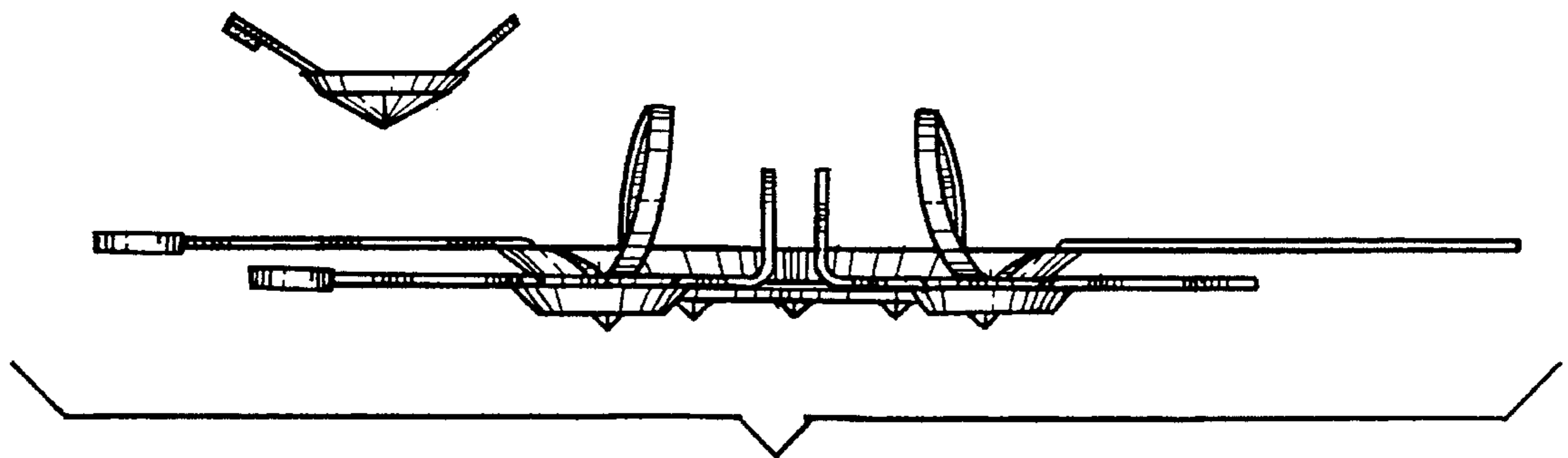


FIG. 7.