



US00D374836S

United States Patent [19]

[11] **Patent Number: Des. 374,836**

Weiss

[45] **Date of Patent: **Oct. 22, 1996**

[54] **RING COMMEMORATING FOUR WAGNER OPERAS**

Primary Examiner—Ralf Seifert
Attorney, Agent, or Firm—Harry M. Weiss; Jeffrey D. Moy; Harry M. Weiss & Associates, P.C.

[76] **Inventor: Paul Weiss, 15 E. Camille Dr., Flagstaff, Ariz. 86001**

[57] **CLAIM**

[**] **Term: 14 Years**

The ornamental design for a ring commemorating four Wagner operas, as shown.

[21] **Appl. No.: 39,481**

DESCRIPTION

[22] **Filed: May 26, 1995**

[52] **U.S. Cl. D11/26**

[58] **Field of Search D11/1-5, 26-39; 63/1.1, 2, 3, 15-32**

FIG. 1 is a perspective view of a ring showing my new design;

FIG. 2 is a top plan view;

FIG. 3 is a left side elevational view;

FIG. 4 is a front elevational view;

FIG. 5 is a right side elevational view;

FIG. 6 is a bottom plan view; and,

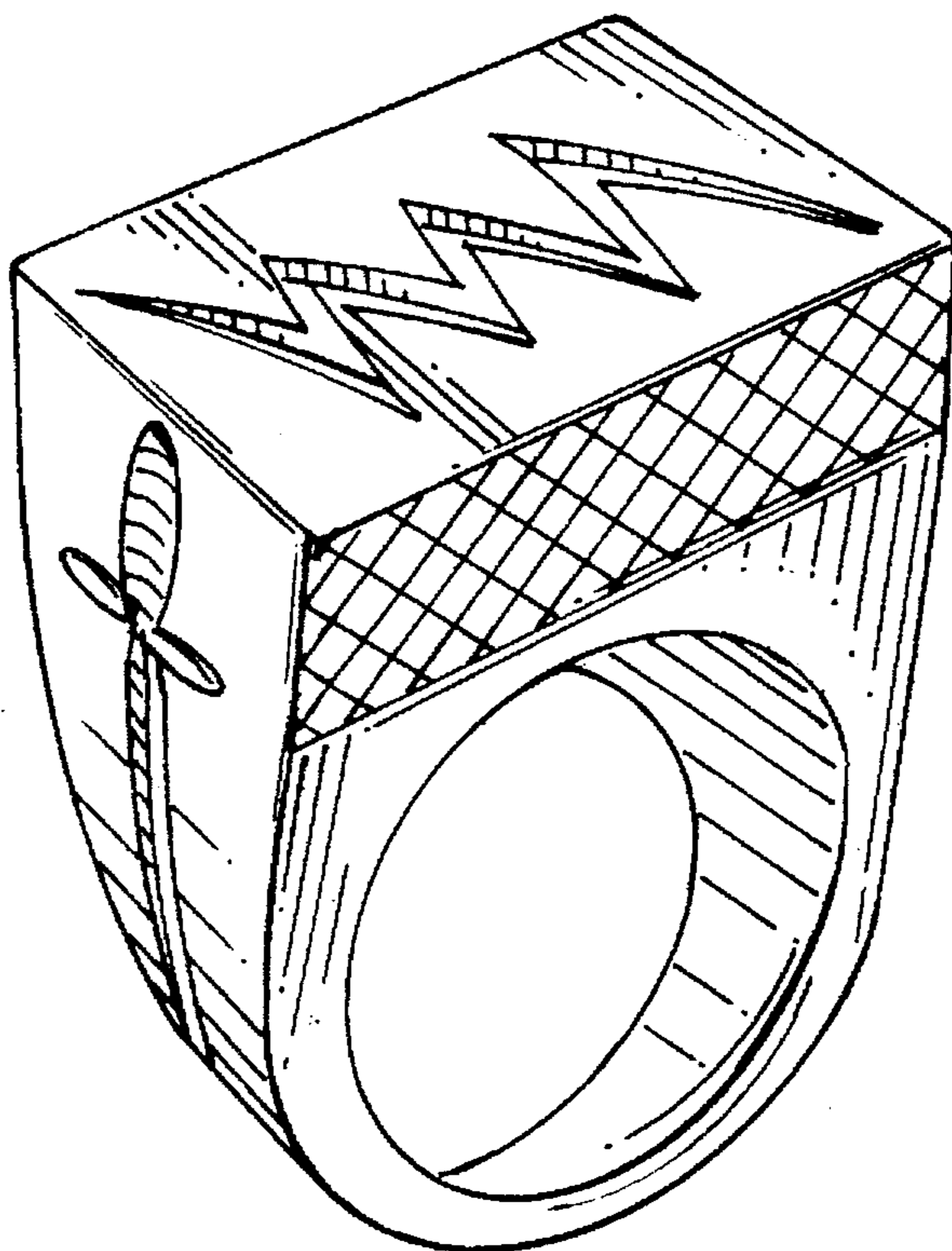
FIG. 7 is a rear elevational view.

[56] **References Cited**

U.S. PATENT DOCUMENTS

48,483	2/1916	Beacon	D11/26
53,436	6/1919	Clarke	D11/26
D. 321,840	11/1991	Waugh et al.	D11/26
1,285,473	11/1918	Tripp	63/15.6

1 Claim, 1 Drawing Sheet



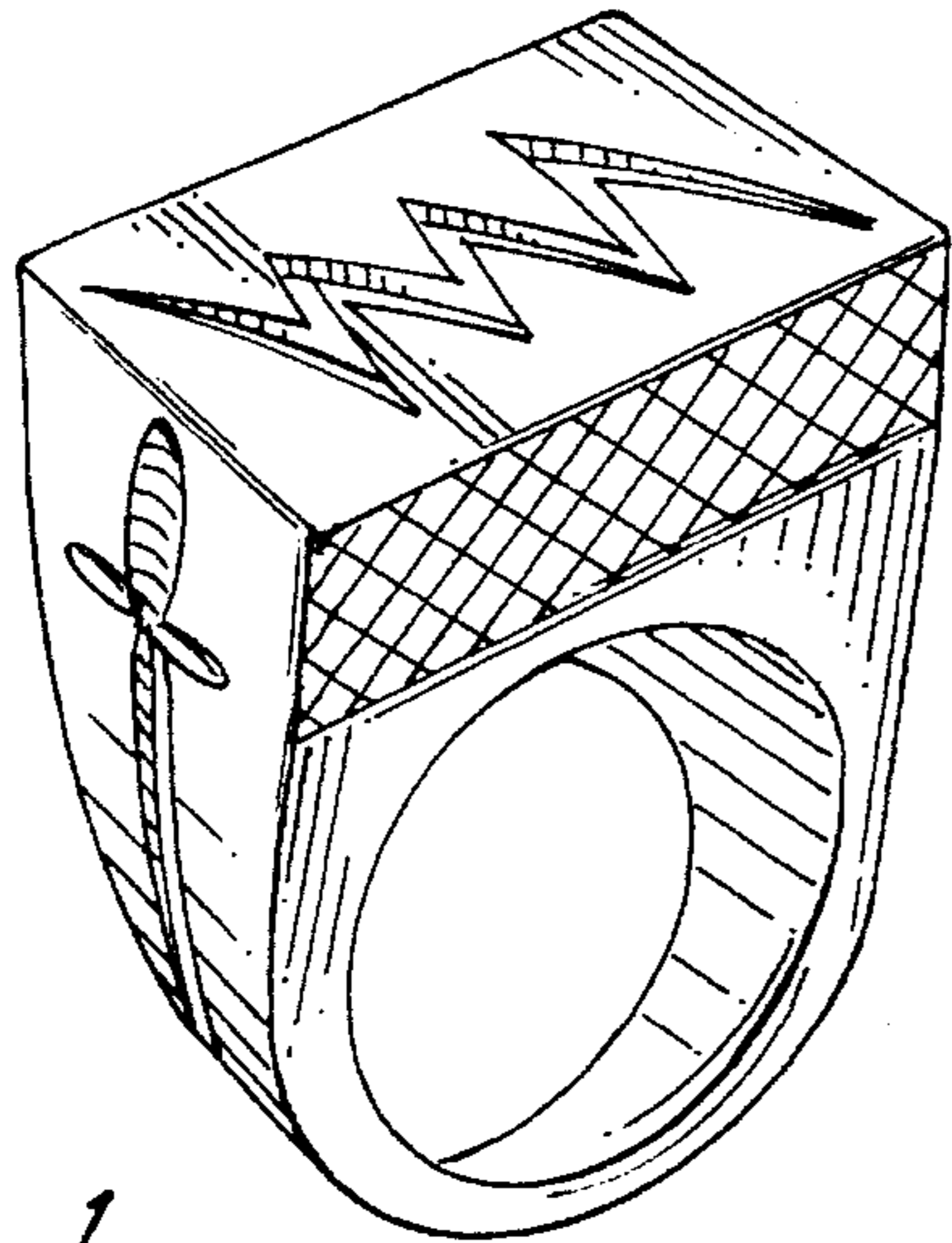


fig. 1

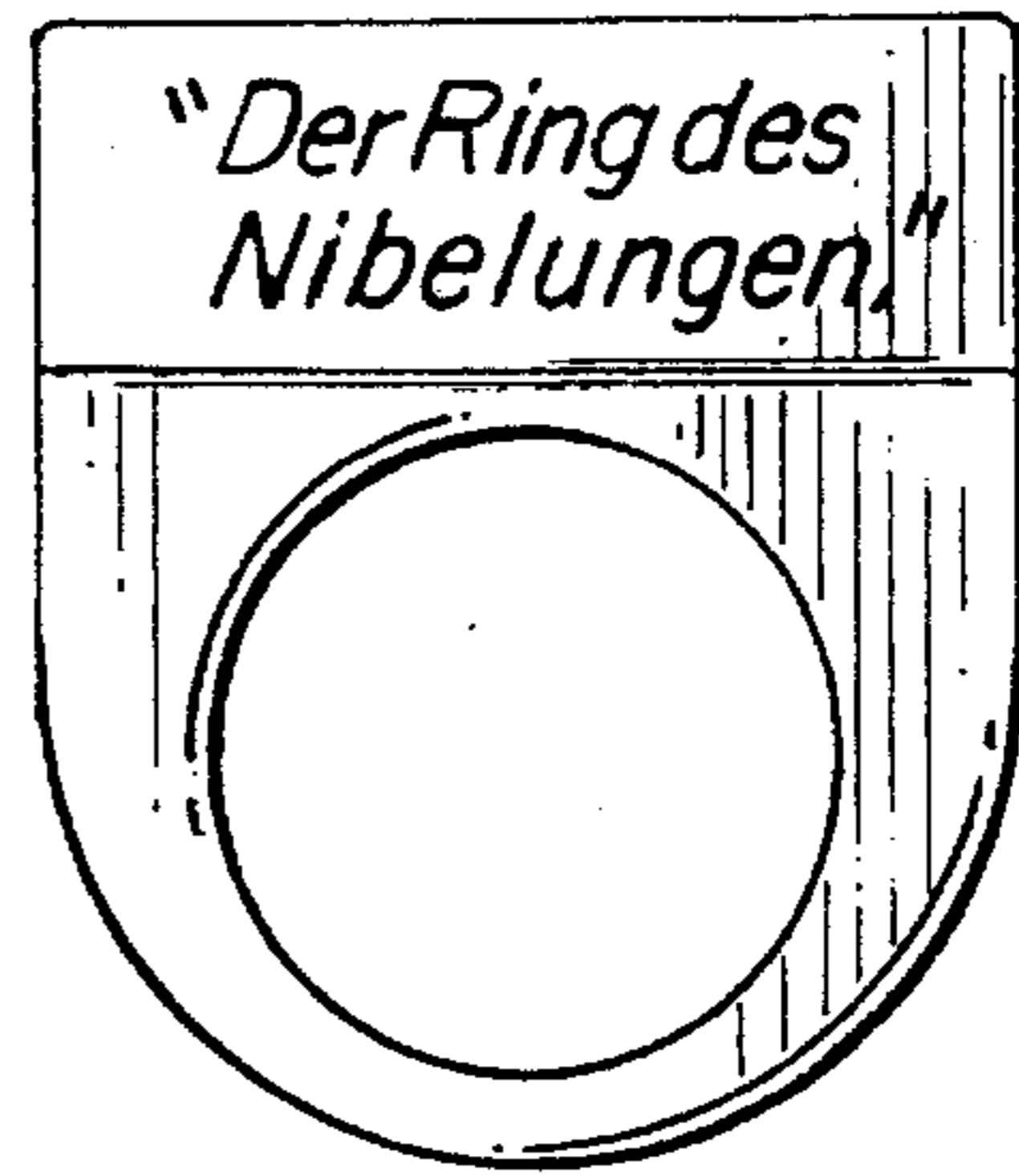


fig. 7

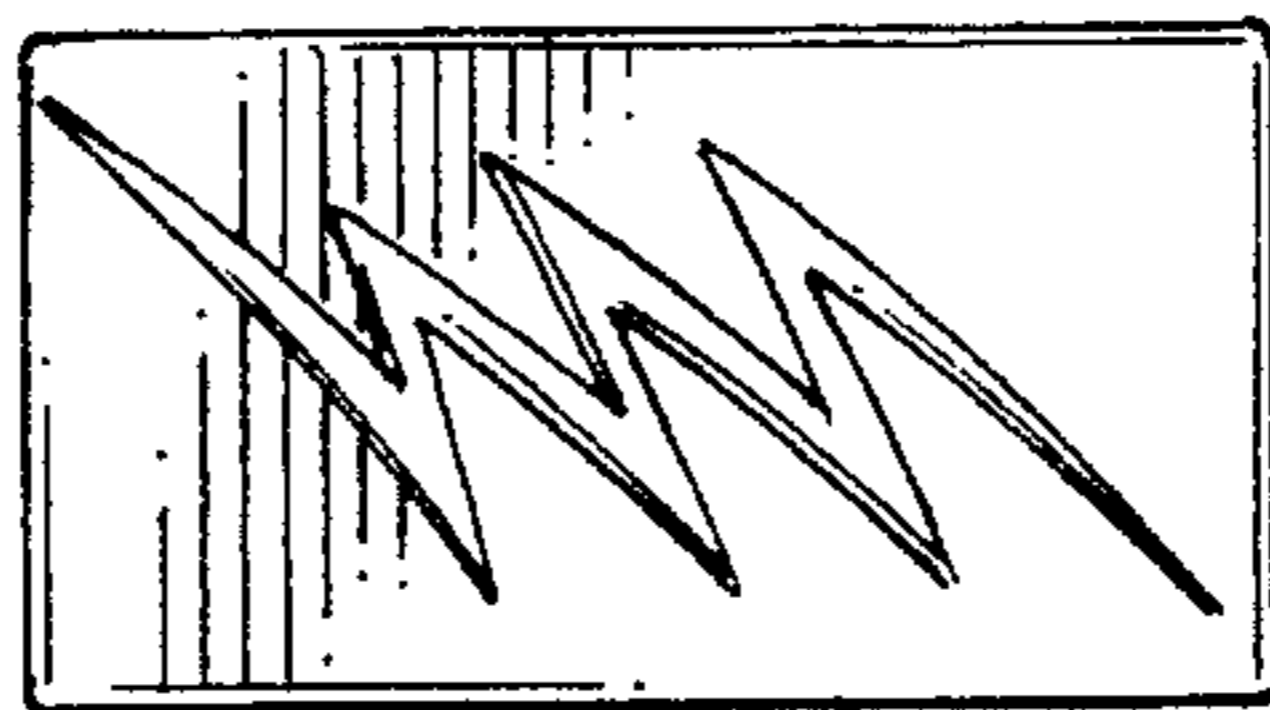


fig. 2

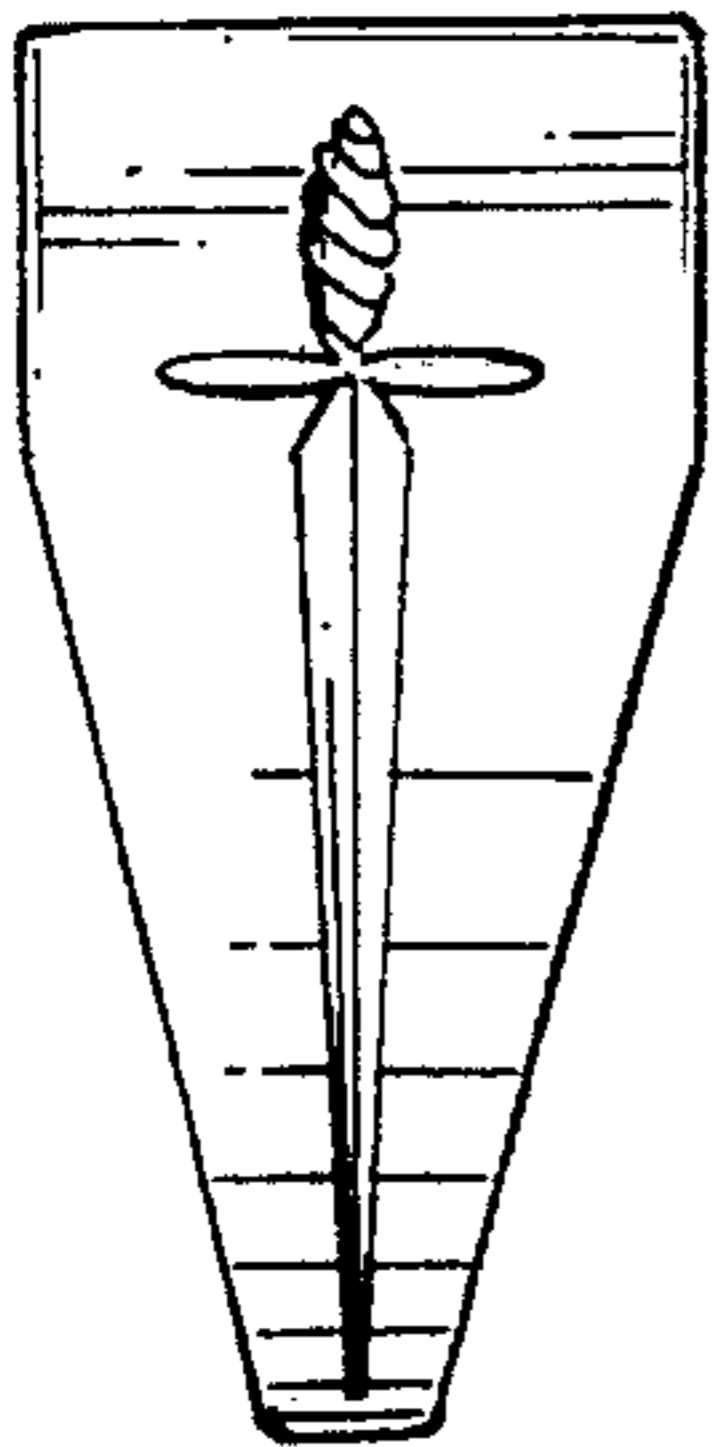


fig. 3

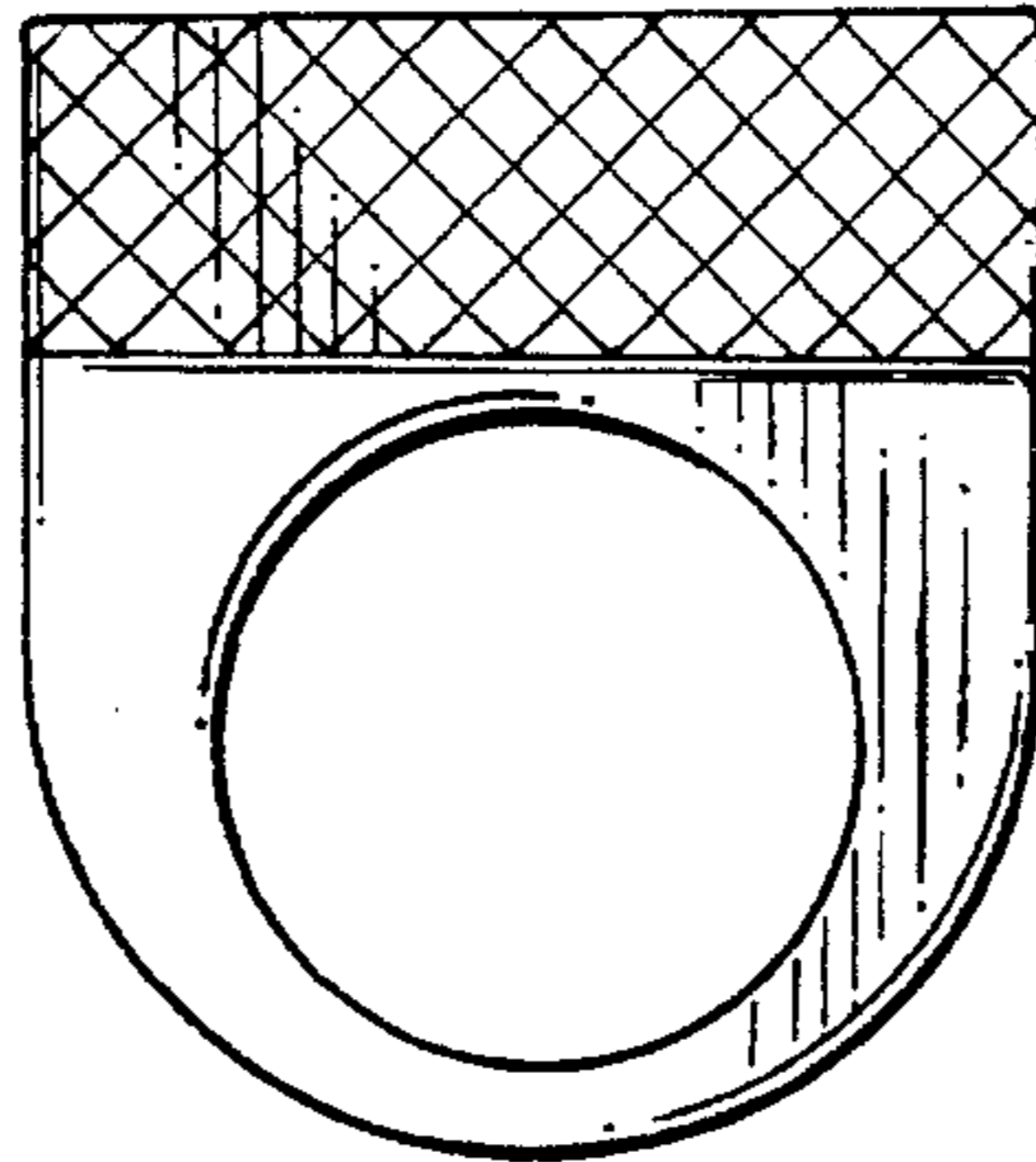


fig. 4

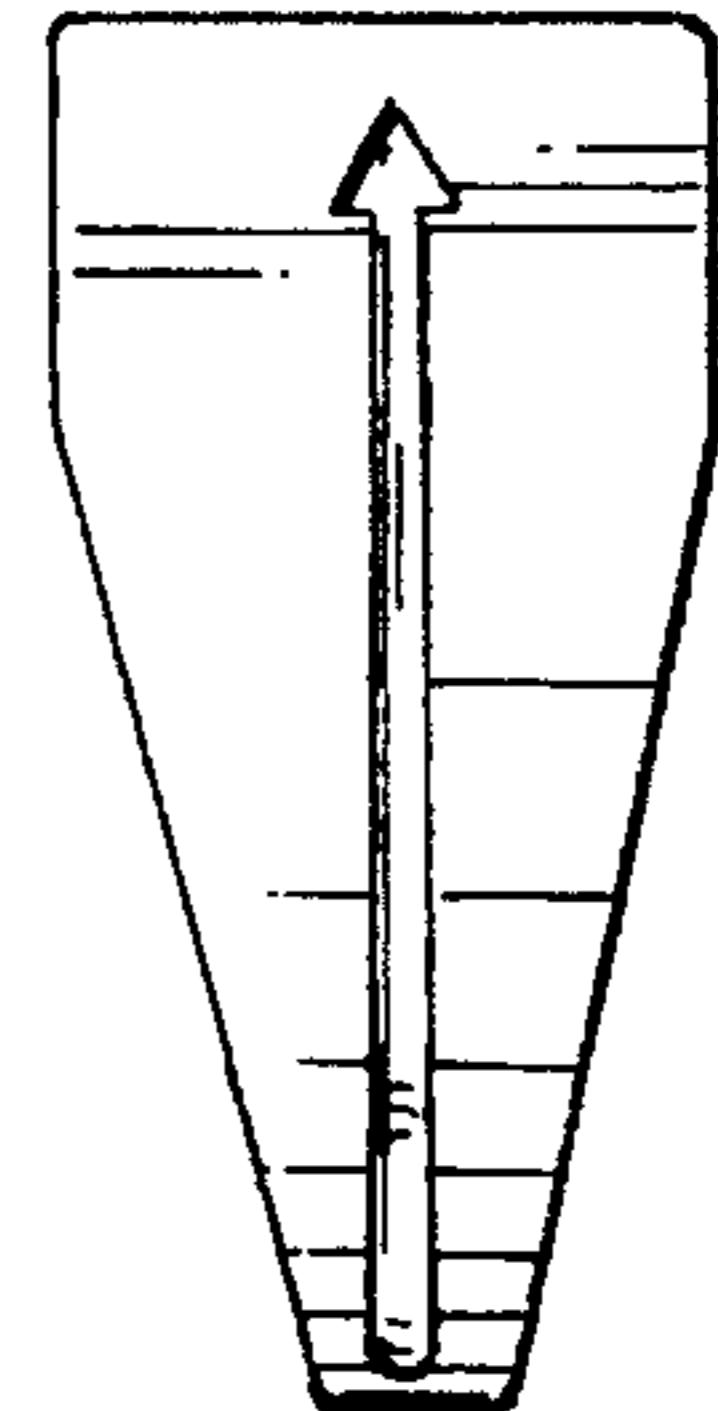


fig. 5

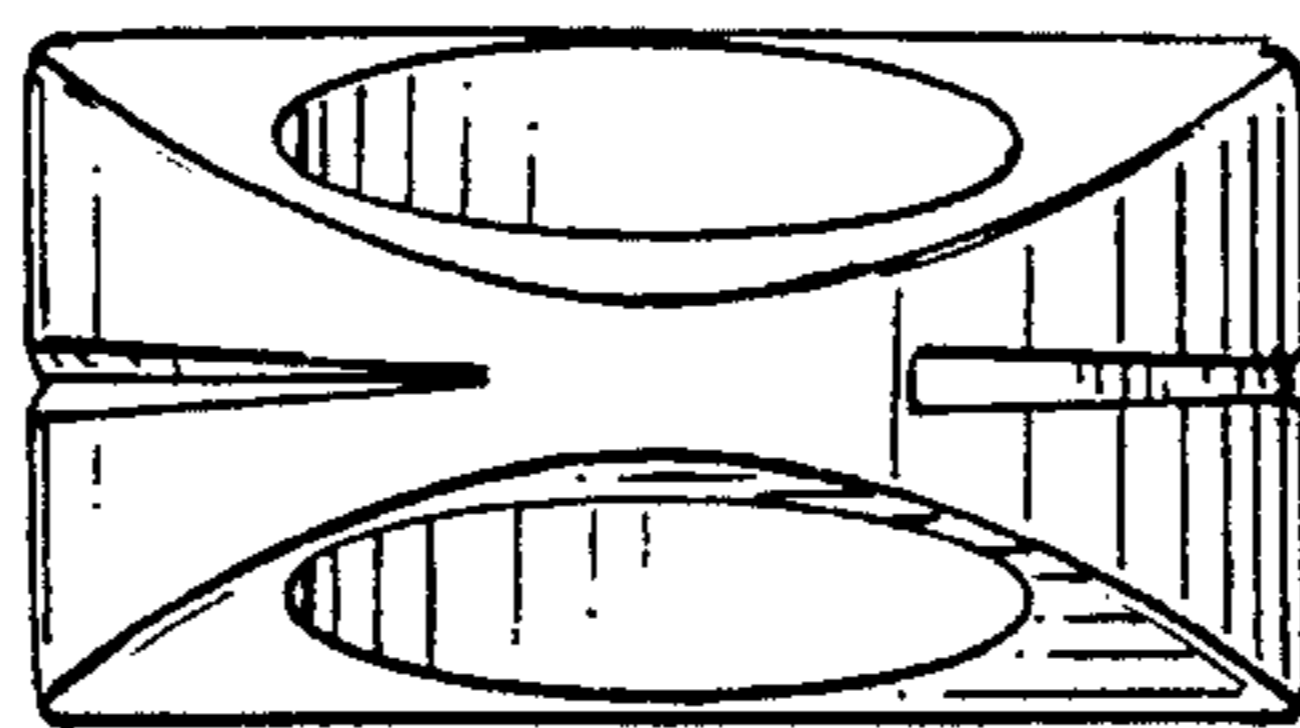


fig. 6