



US00D374835S

# United States Patent [19]

Wachter

[11] Patent Number: **Des. 374,835**

[45] Date of Patent: **\*\*Oct. 22, 1996**

[54] **EMERGENCY LIGHT**

[75] Inventor: **Peter F. Wachter**, Northfield, Ill.

[73] Assignee: **Juno Lighting, Inc.**, Des Plaines, Ill.

[\*\*] Term: **14 Years**

[21] Appl. No.: **45,186**

[22] Filed: **Oct. 12, 1995**

[52] U.S. Cl. .... **D10/114**

[58] Field of Search ..... D10/104, 106,  
D10/114, 121; D26/28-35; 362/157, 158,  
183, 189, 191, 194, 197, 200-205; 340/473

[56] **References Cited**

**U.S. PATENT DOCUMENTS**

D. 277,558	2/1985	Mallory	.....	D10/106
D. 310,793	9/1990	Castagna	.....	D10/114
D. 326,061	5/1992	Hopper	.....	D10/114
2,539,654	1/1951	Barnes	.....	D10/114

*Primary Examiner*—Marcus A. Jackson  
*Attorney, Agent, or Firm*—Anthony S. Zummer

[57] **CLAIM**

The ornamental design for an emergency light, as shown and described.

**DESCRIPTION**

FIG. 1 is a perspective view of an emergency light embodying the present invention;

FIG. 2 is an end elevational view of the right side of the emergency light shown in FIG. 1, and the left side elevational view is a mirror image of the right side;

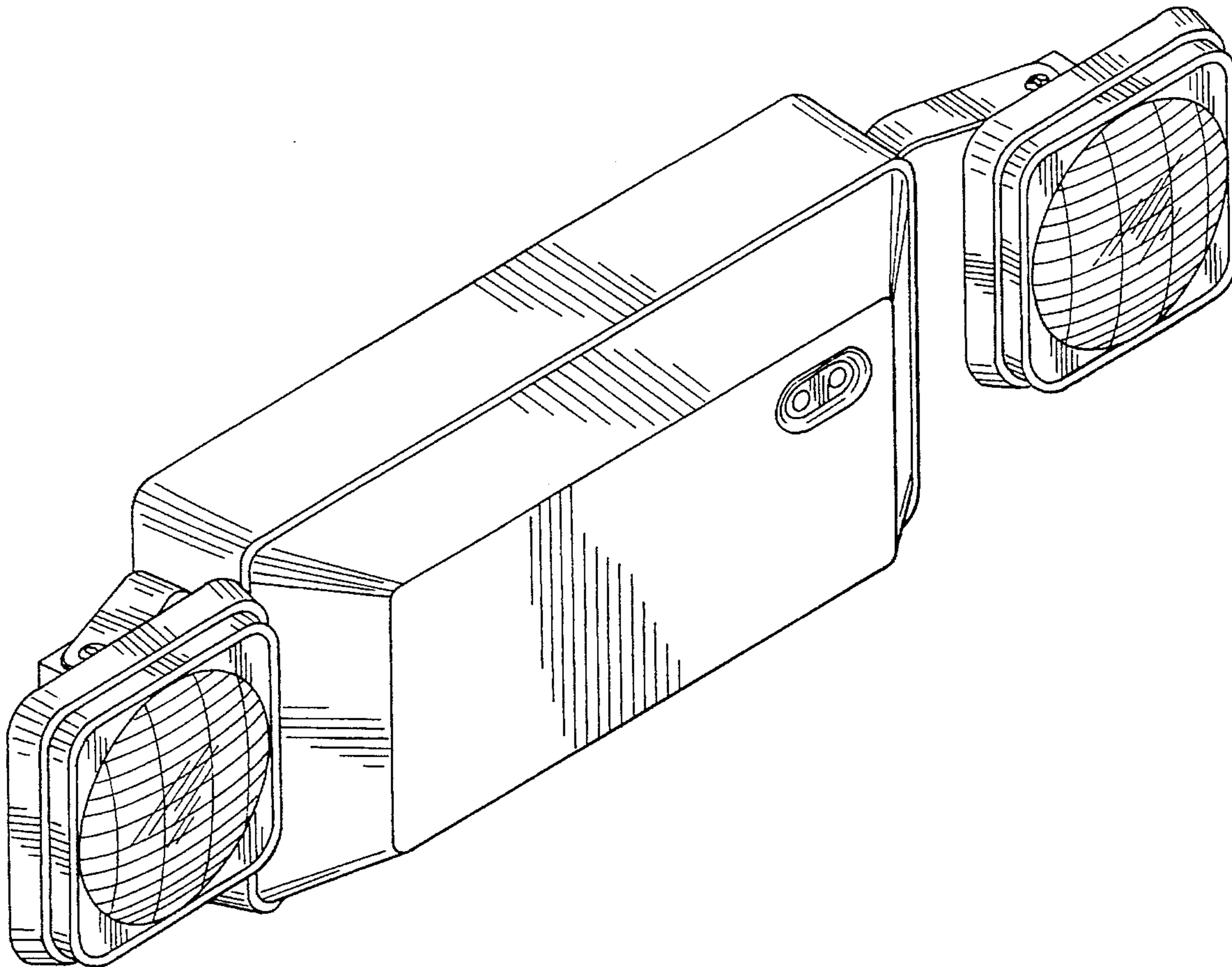
FIG. 3 is a top view of the emergency light of FIG. 1;

FIG. 4 is a front elevational view of the emergency light of FIG. 1;

FIG. 5 is a rear view of the emergency light of FIG. 1; and,

FIG. 6 is a bottom view of the emergency light of FIG. 1.

**1 Claim, 3 Drawing Sheets**



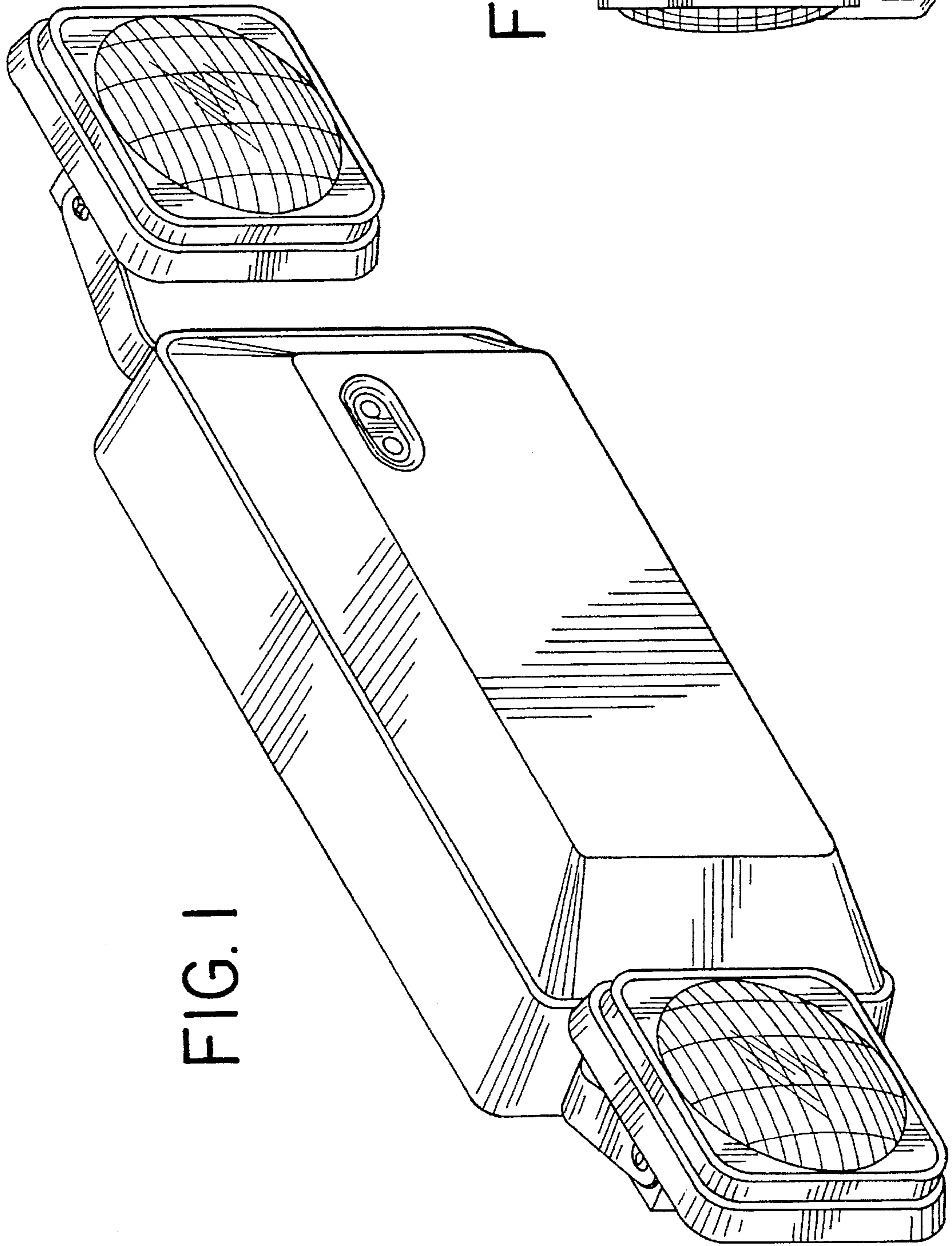


FIG. 2

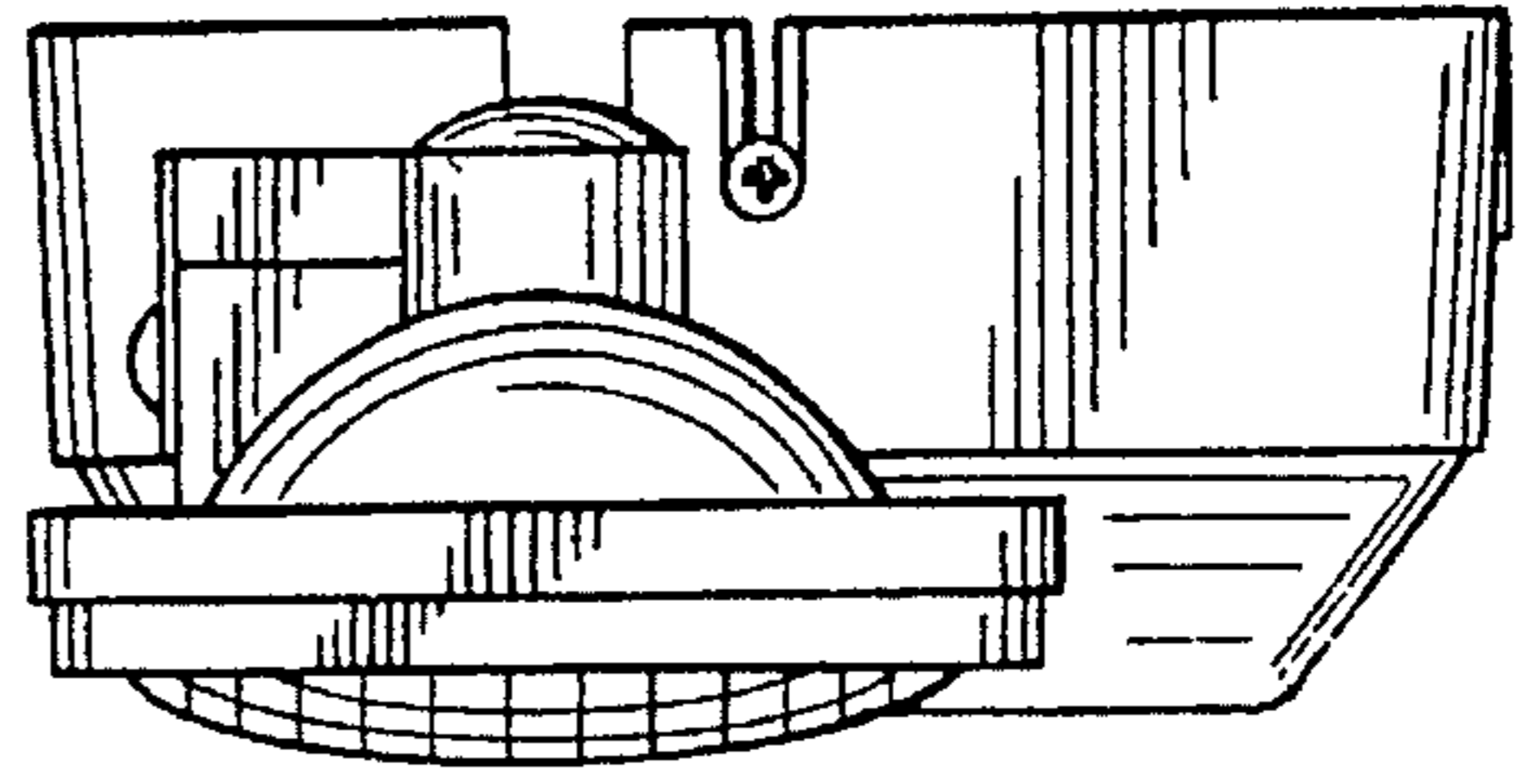


FIG. 3

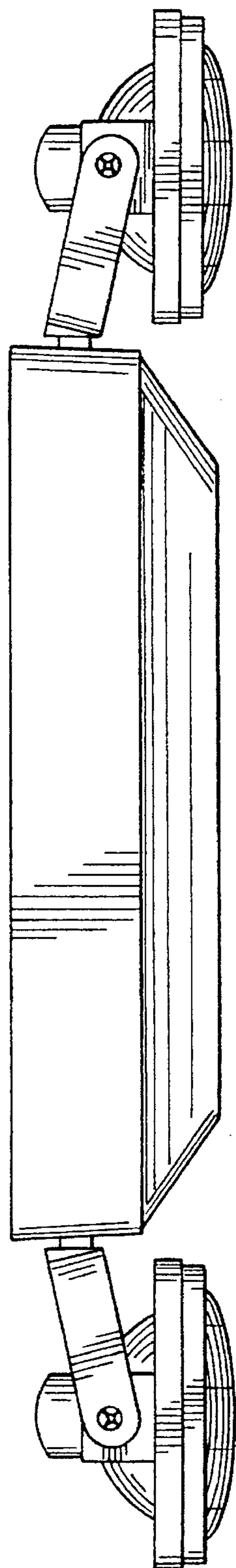


FIG. 4

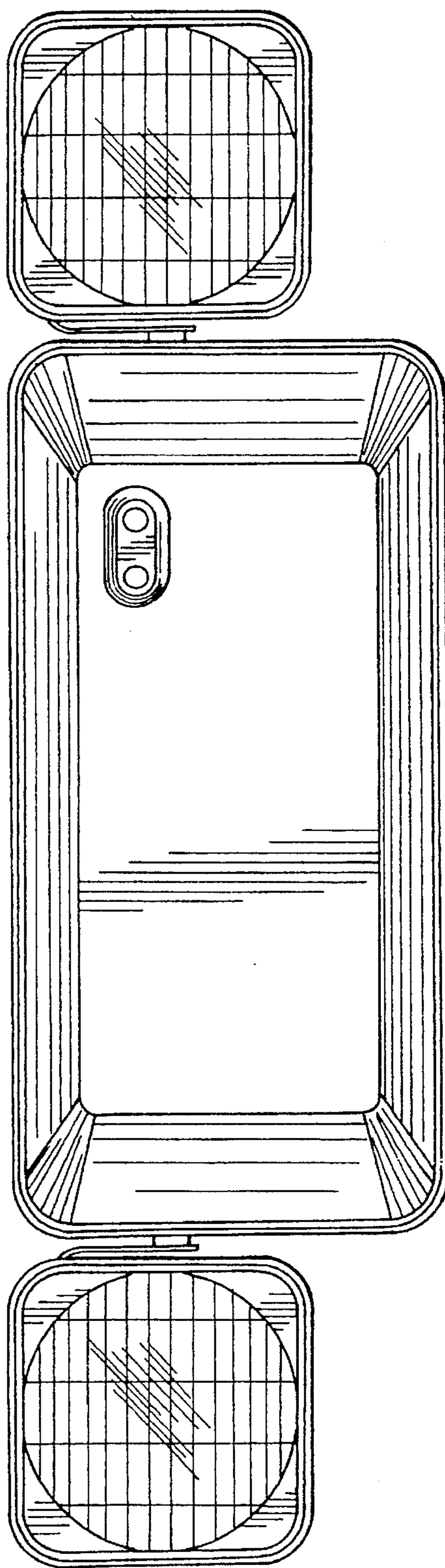


FIG. 5

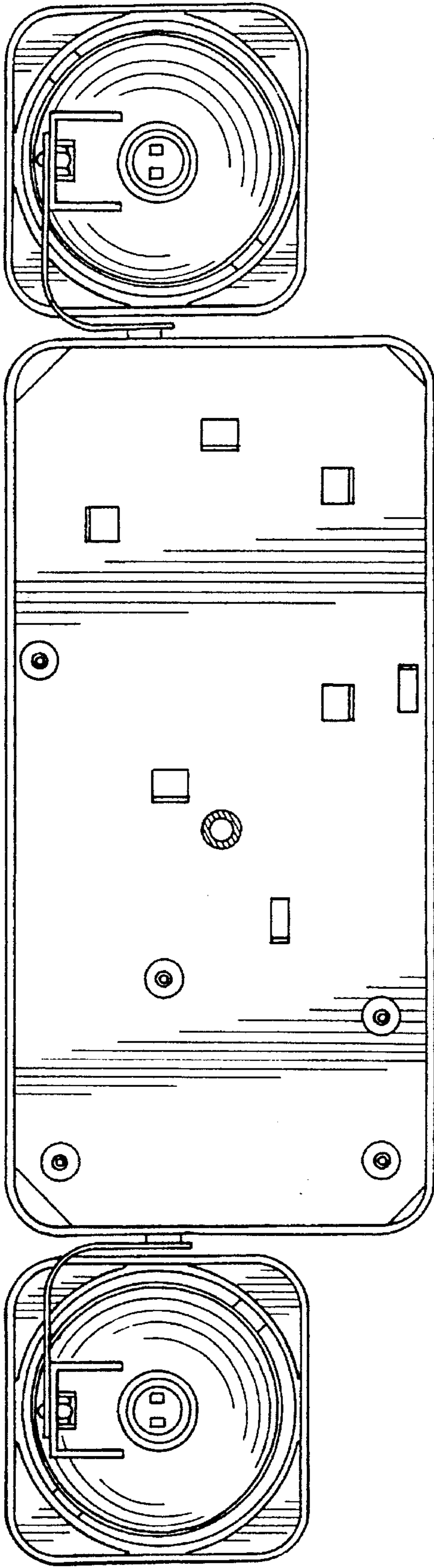


FIG. 6

