



US00D374834S

United States Patent [19]
Rusch

[11] **Patent Number: Des. 374,834**
[45] **Date of Patent: **Oct. 22, 1996**

[54] **TABLE SERVICE INDICATOR**

2,563,693 8/1951 Russell 340/321
2,565,980 8/1951 Moore D10/114

[76] Inventor: **Marcella B. Rusch**, 206 N. Dr.,
Bargetown, Ky. 40004

Primary Examiner—Marcus A. Jackson
Attorney, Agent, or Firm—Harold H. Dutton, Jr.; Diane S.
Liebman; W. Charles L. Jamison

[**] Term: **14 Years**

[21] Appl. No.: **41,415**

[57] **CLAIM**

[22] Filed: **Jul. 13, 1995**

The ornamental design for a table service indicator, as shown and described.

[52] **U.S. Cl.** **D10/114**

[58] **Field of Search** D10/104, 106,
D10/109, 114, 121; D26/93, 105, 106, 107;
116/202, 205; 362/410, 411, 412, 413,
414, 321, 806, 157, 183

DESCRIPTION

FIG. 1 is a perspective view of a table service indicator showing my new design;
FIG. 2 is a reduced rear view thereof;
FIG. 3 is a right side view thereof;
FIG. 4 is a top view thereof; and,
FIG. 5 is a bottom view thereof;
The side opposite to that shown in FIG. 3 is a mirror image thereof.

[56] **References Cited**

U.S. PATENT DOCUMENTS

D. 287,106 12/1986 **Wade** D10/114
D. 328,571 8/1992 **Hauser** D10/114
D. 349,071 7/1994 **Fields et al.** D10/114
1,952,276 3/1934 **Monk** 362/414

1 Claim, 3 Drawing Sheets

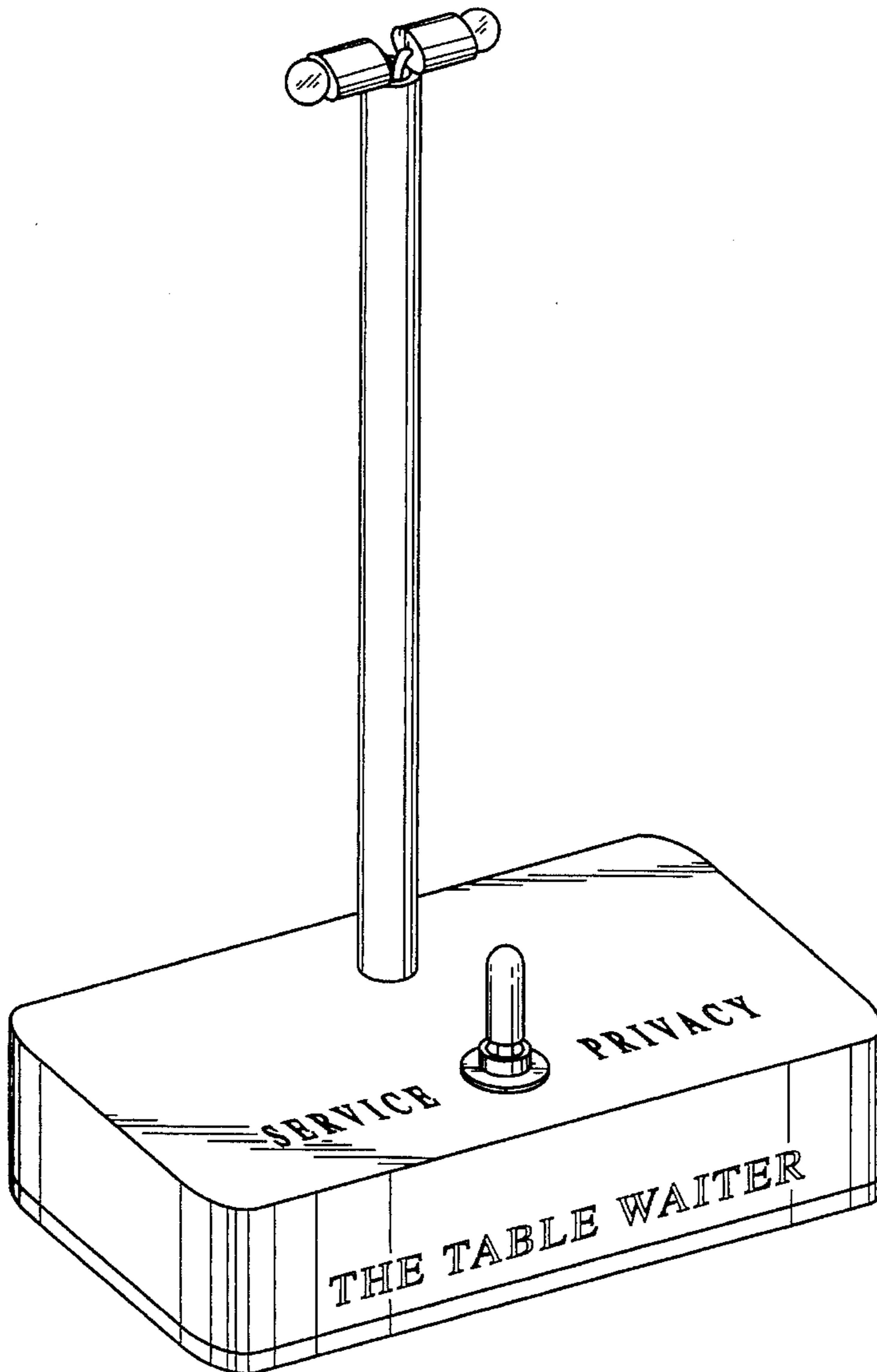
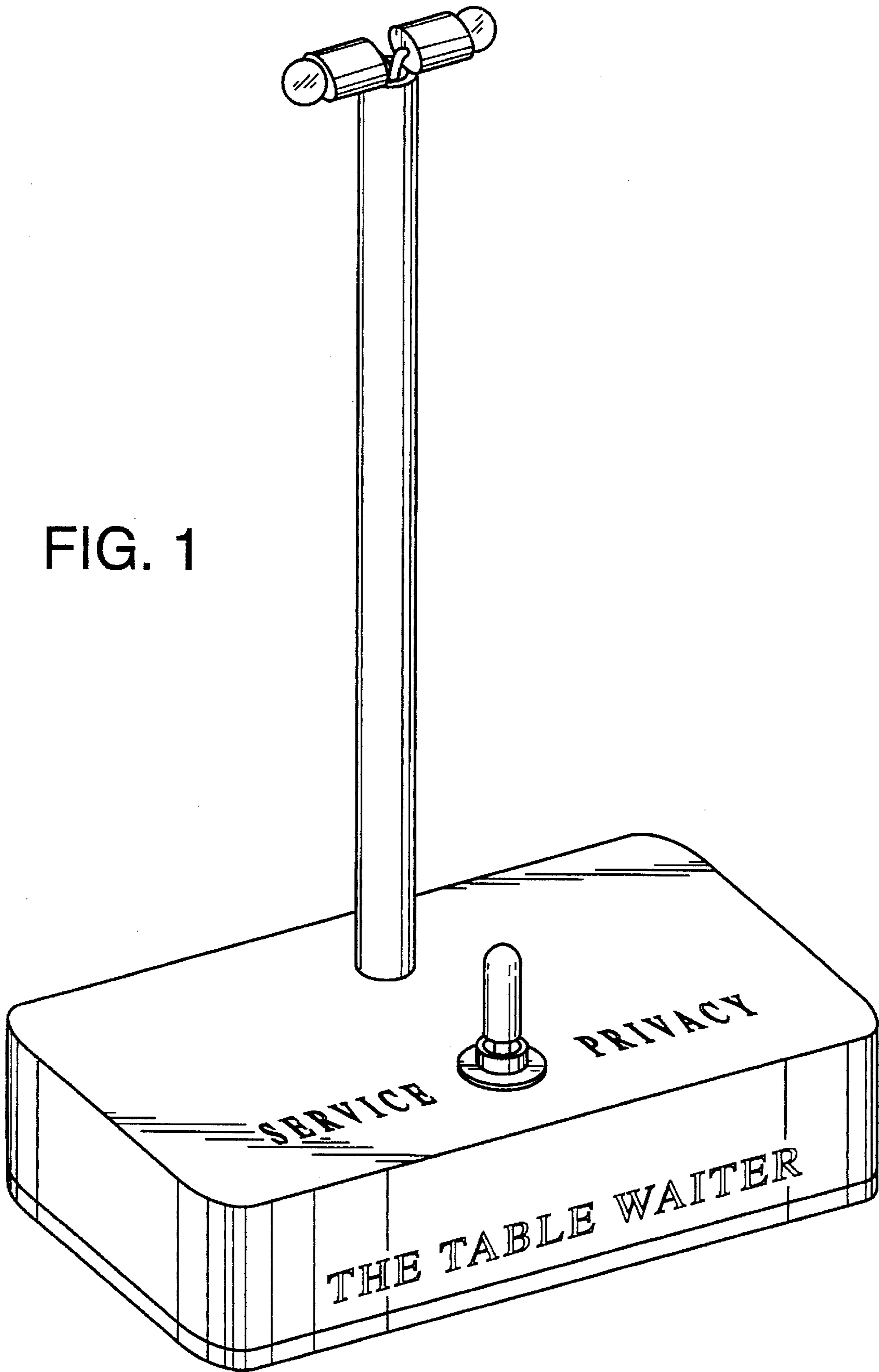


FIG. 1



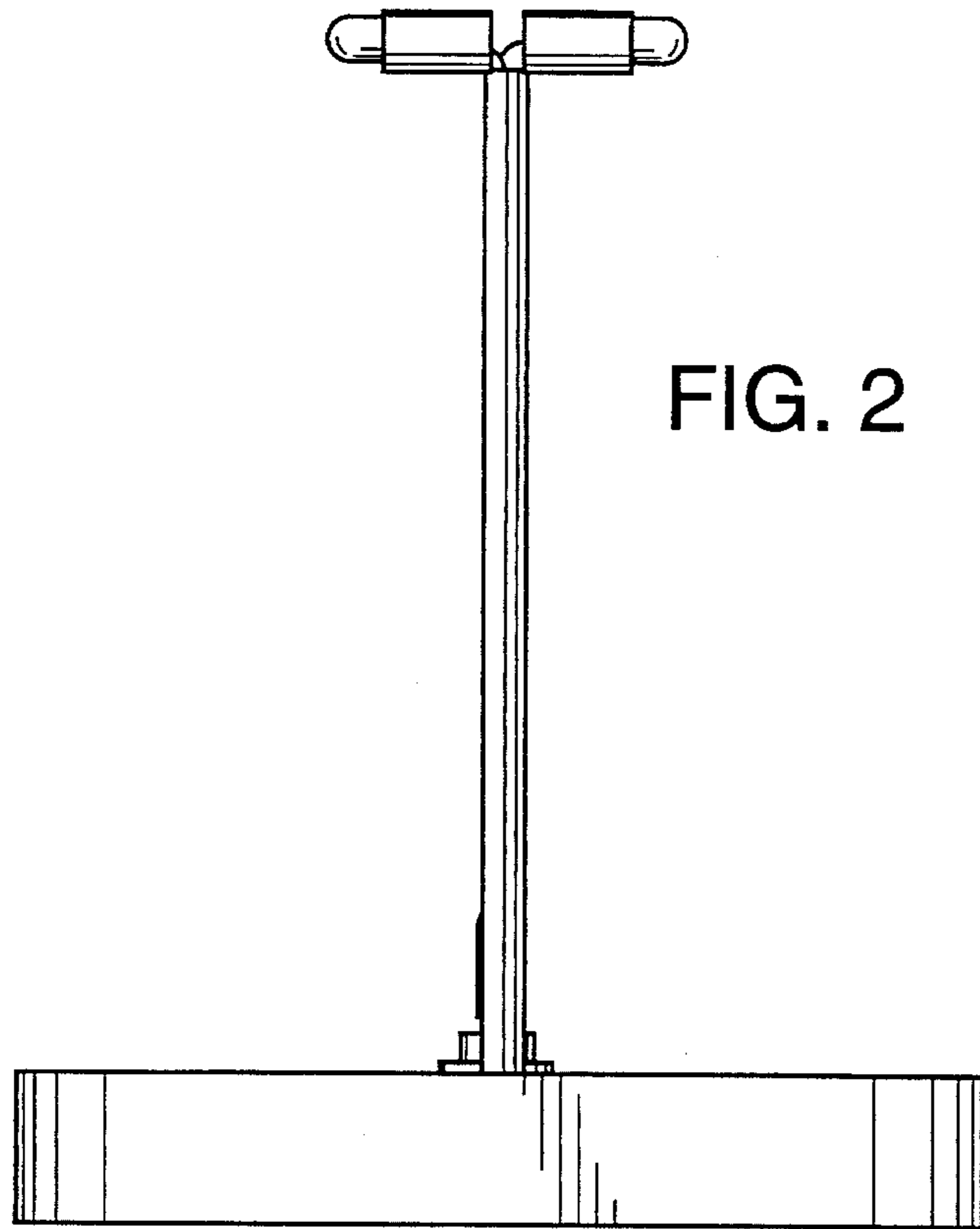


FIG. 2

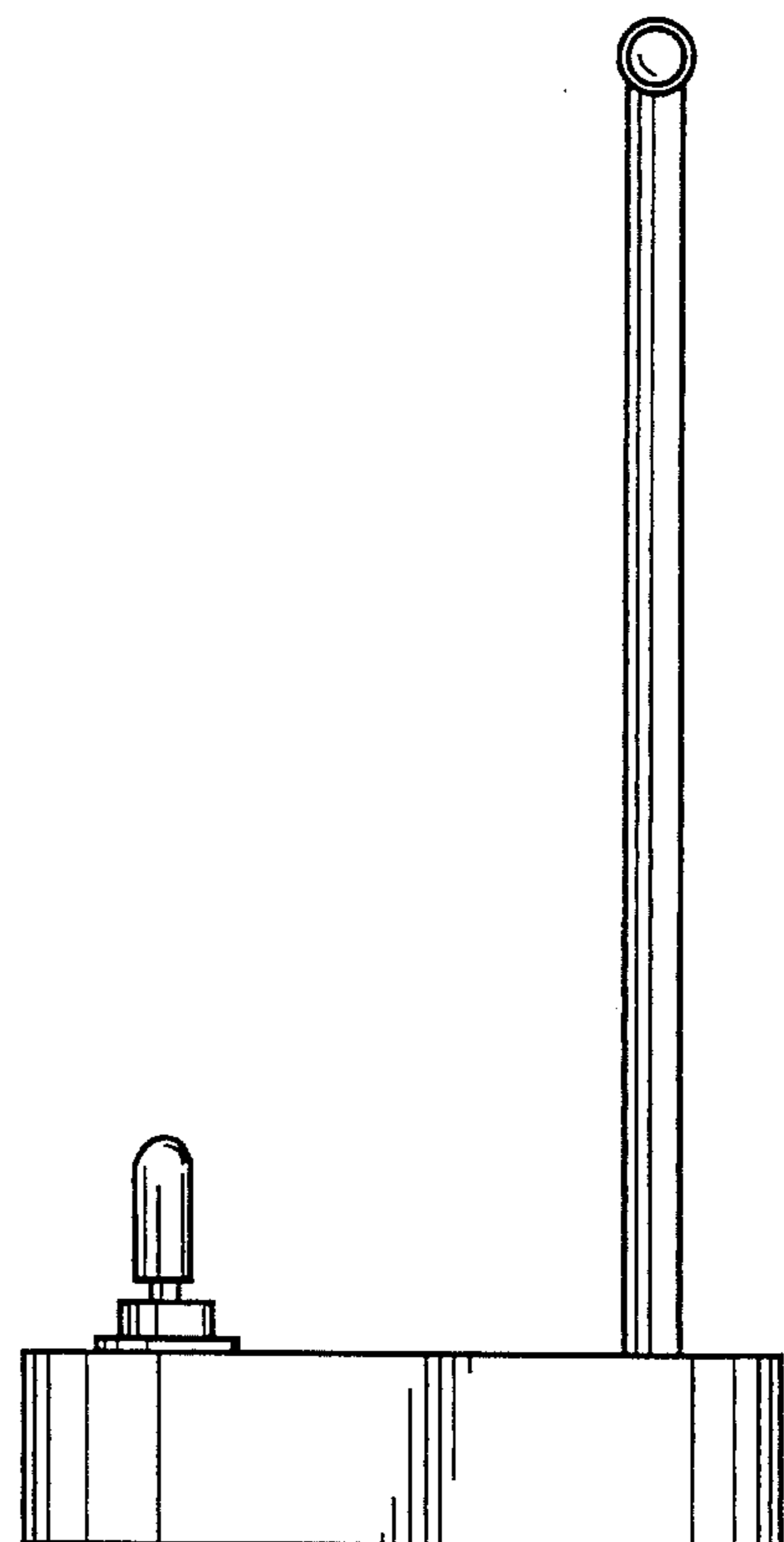


FIG. 3

FIG. 4

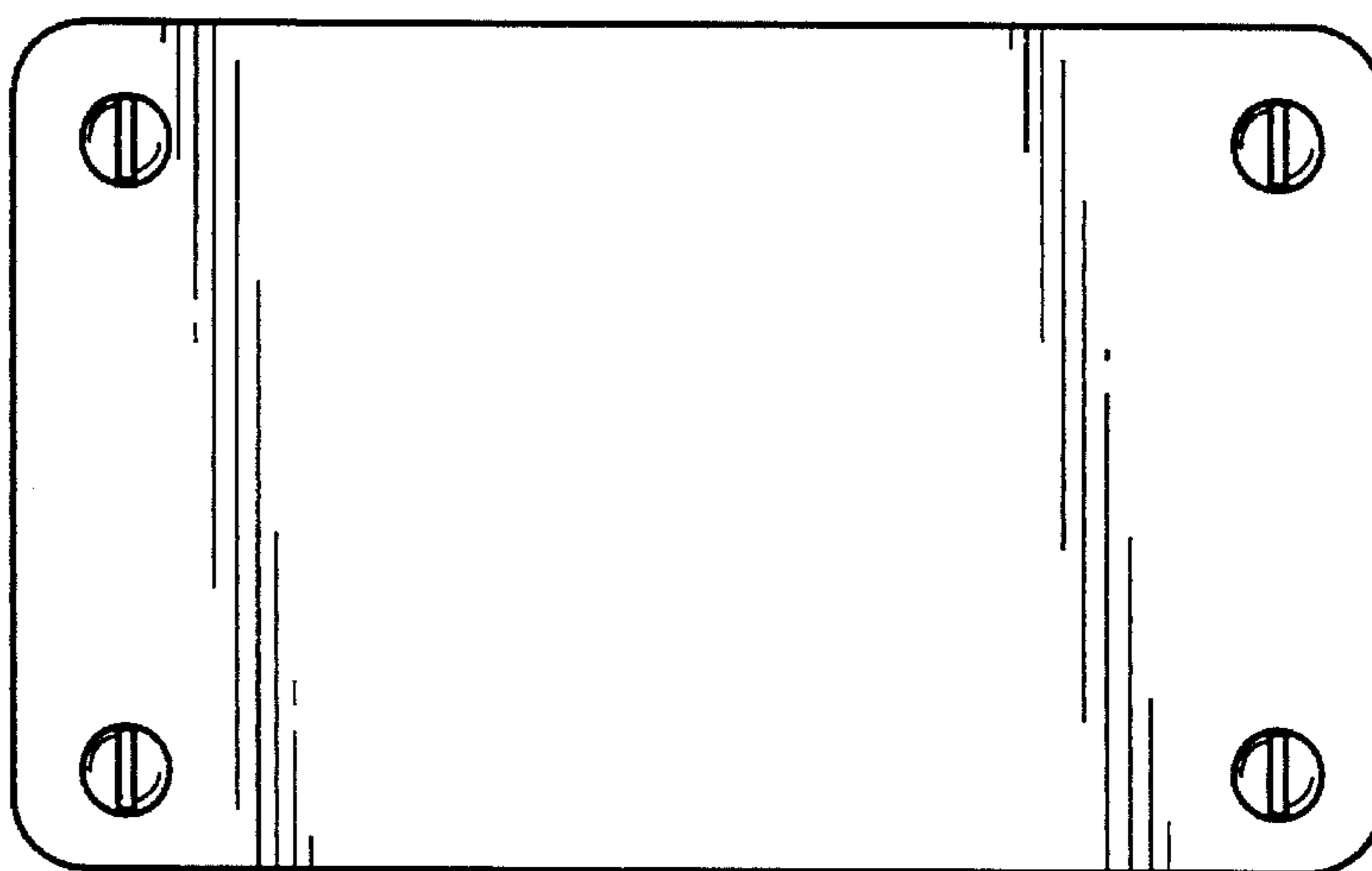
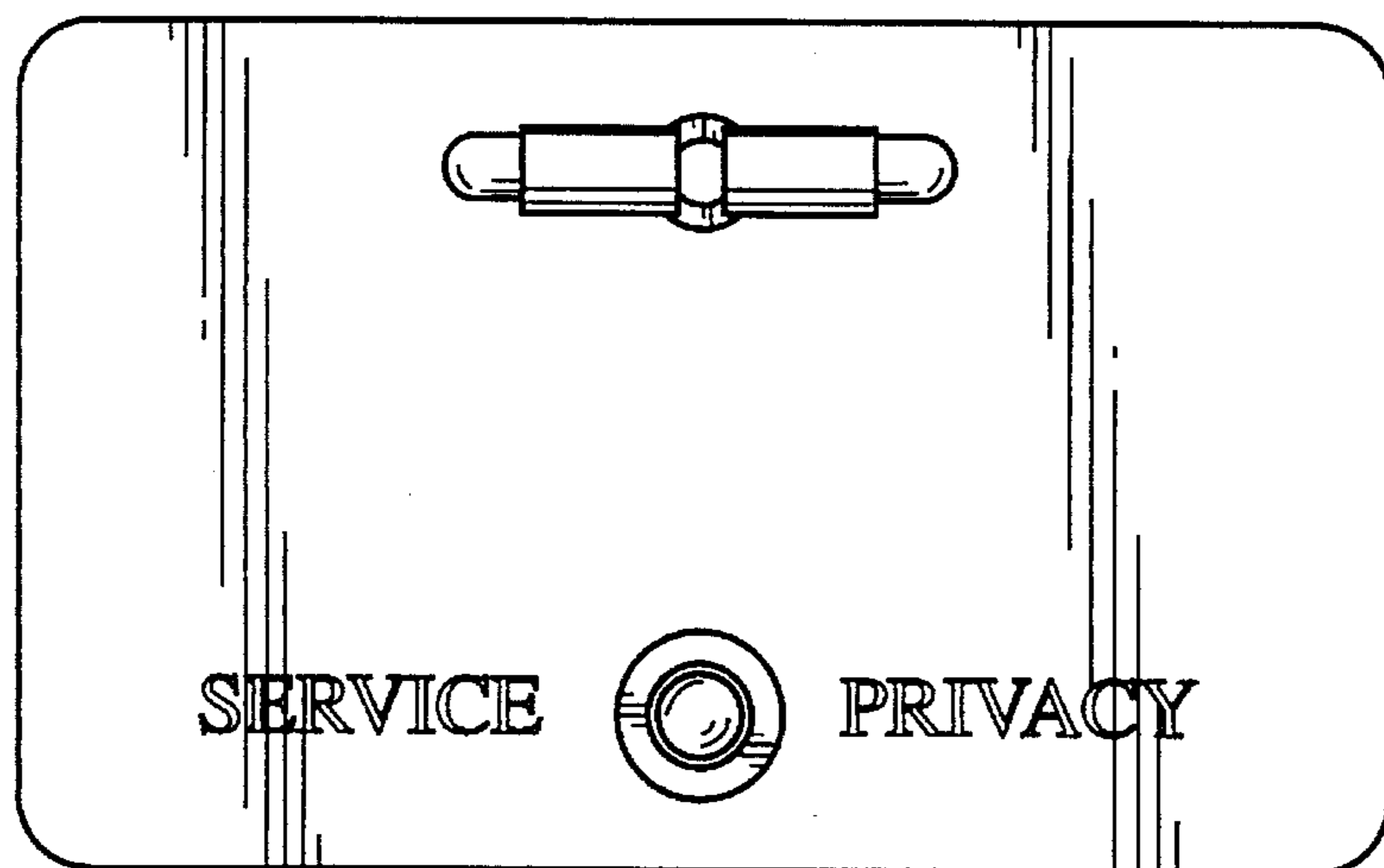


FIG. 5