



US00D374833S

United States Patent [19]

Shines, Sr. et al.

[11] Patent Number: **Des. 374,833**

[45] Date of Patent: ****Oct. 22, 1996**

[54] MOTION DETECTING ALARM SYSTEM

[76] Inventors: **Oscar J. Shines, Sr.; Catherine D. Shines**, both of 3424 E. Euclid Ave., Spokane, Wash. 99207; **Franklin P. Shines, Sr.**, 21415 92nd Ave. W., Edmonds, Wash. 98020

[**] Term: **14 Years**

[21] Appl. No.: **42,046**

[22] Filed: **Jul. 31, 1995**

[52] U.S. Cl. **D10/106**

[58] Field of Search D10/104, 106, D10/116, 121; 340/540, 541, 542, 543, 544, 545, 546, 547, 551, 571, 689

[56] **References Cited**

U.S. PATENT DOCUMENTS

D. 330,339	10/1992	Roselle et al.	D10/106
D. 335,467	5/1993	Cheng	D10/106
D. 338,845	8/1993	Rohrs	D10/106
D. 339,758	9/1993	Warrington	D10/106

D. 356,747	3/1995	Yuen	D10/106
4,577,183	5/1986	Fontaine et al.	340/541
5,309,145	5/1994	Branch et al.	340/540
5,311,166	5/1994	Frye	340/541

Primary Examiner—Marcus A. Jackson
Attorney, Agent, or Firm—James A. Hudak

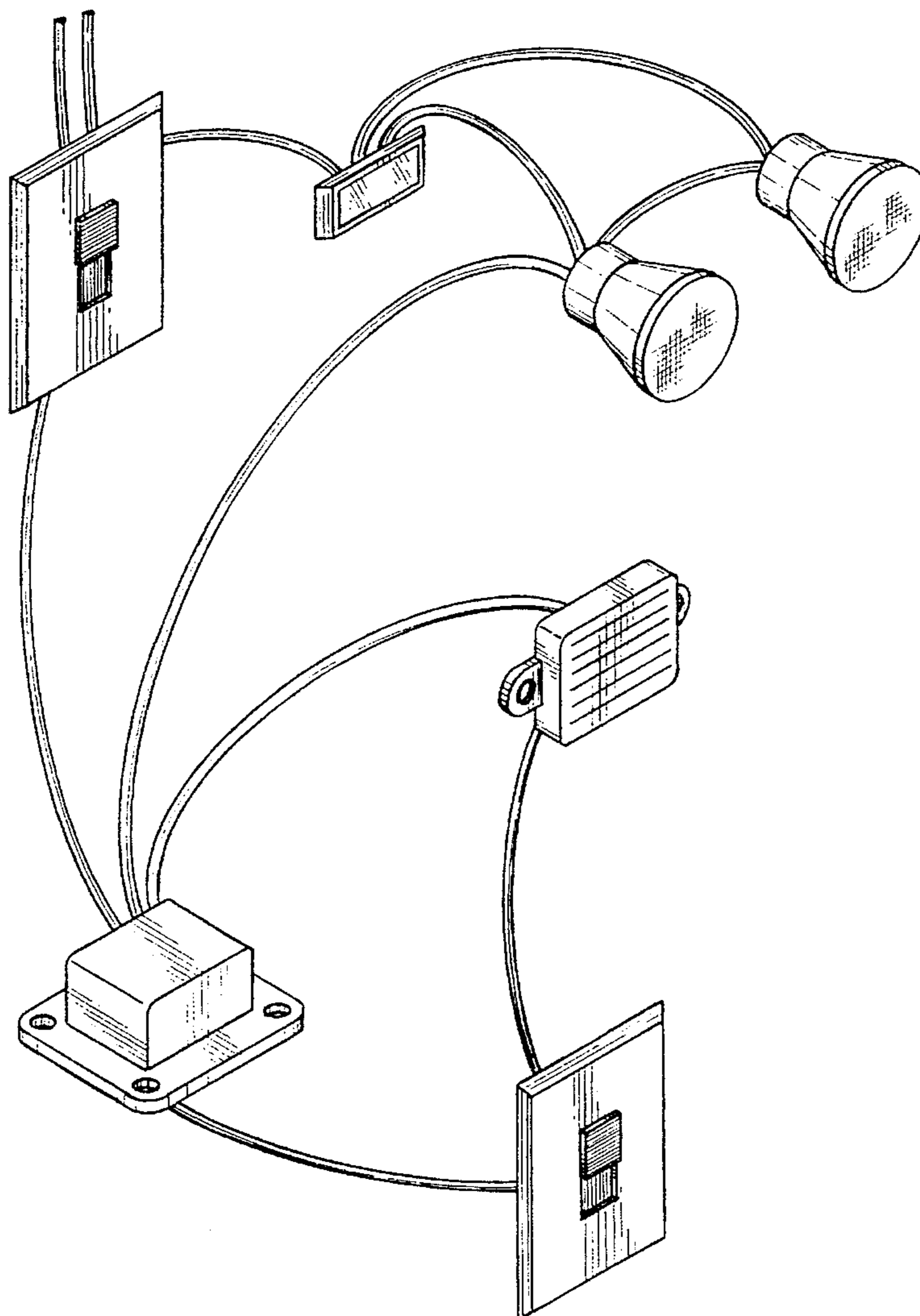
[57] **CLAIM**

The ornamental design for a motion detecting alarm system, as shown and described.

DESCRIPTION

FIG. 1 is a perspective view of the motion detecting alarm system showing our new design, with the wires broken away to indicate indeterminate length;
FIG. 2 is a front elevational view thereof;
FIG. 3 is a rear elevational view thereof;
FIG. 4 is a left side elevational view thereof;
FIG. 5 is a right side elevational view thereof;
FIG. 6 is a top plan view thereof; and,
FIG. 7 is a bottom plan view thereof.

1 Claim, 4 Drawing Sheets



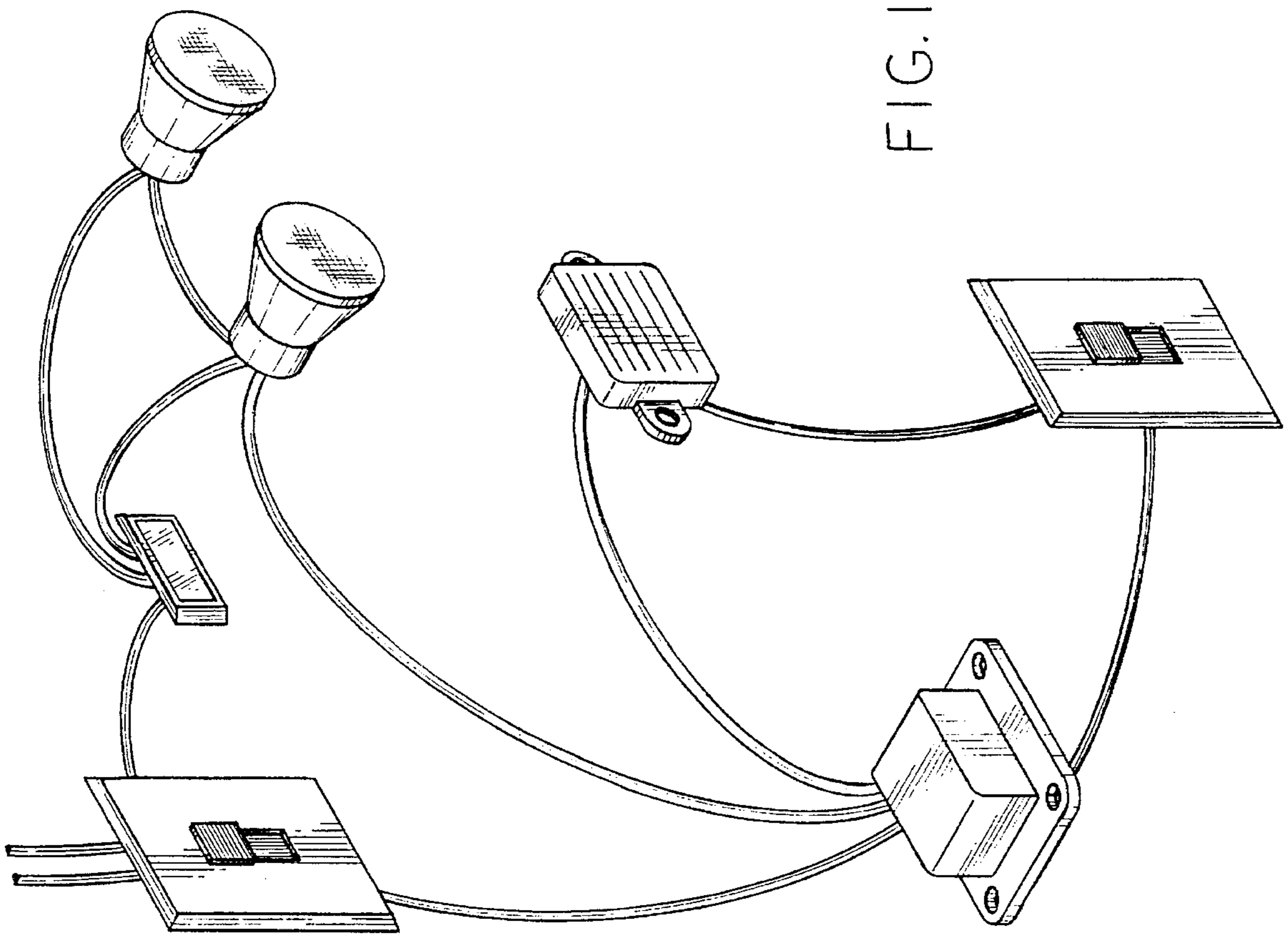
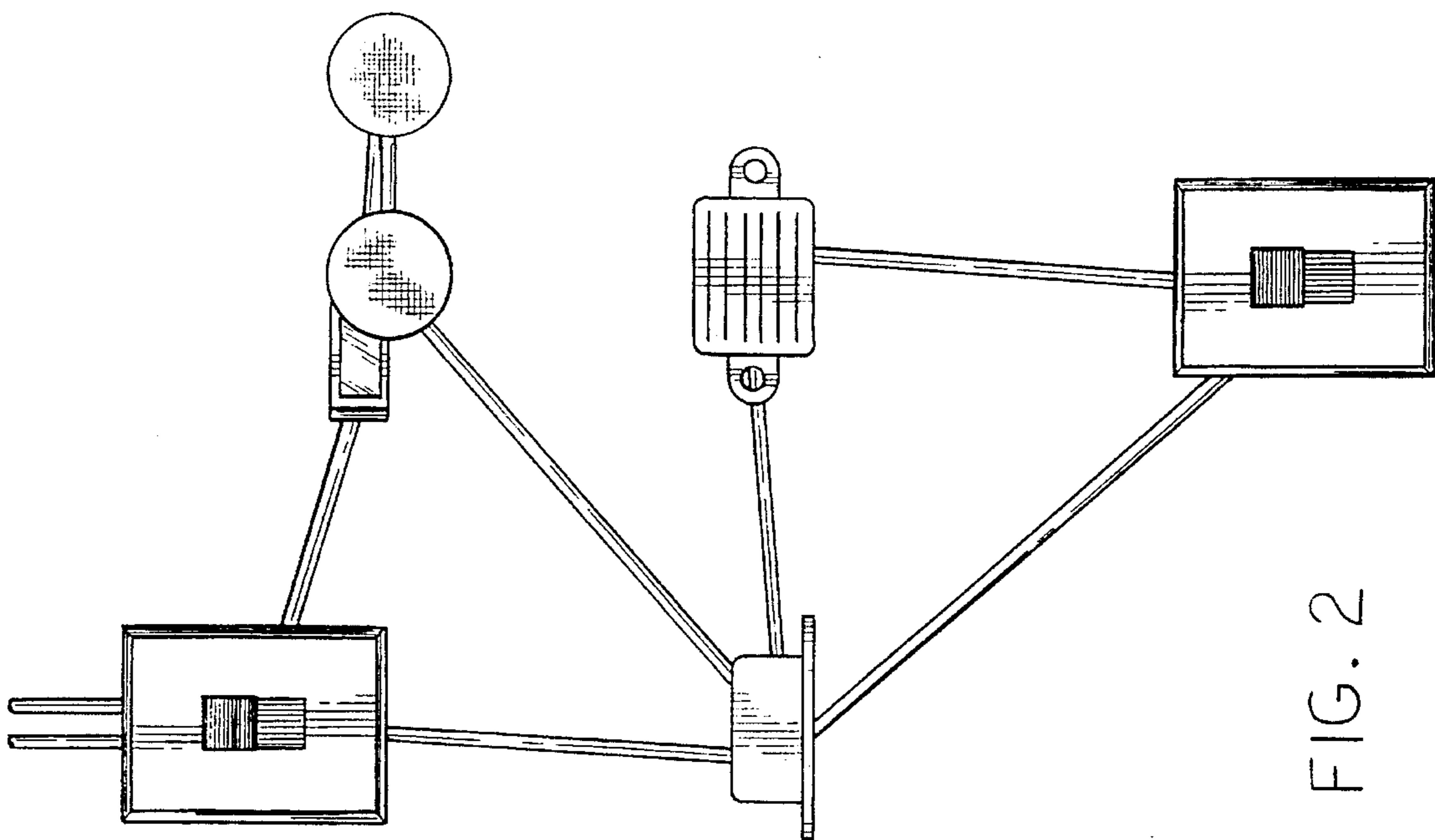
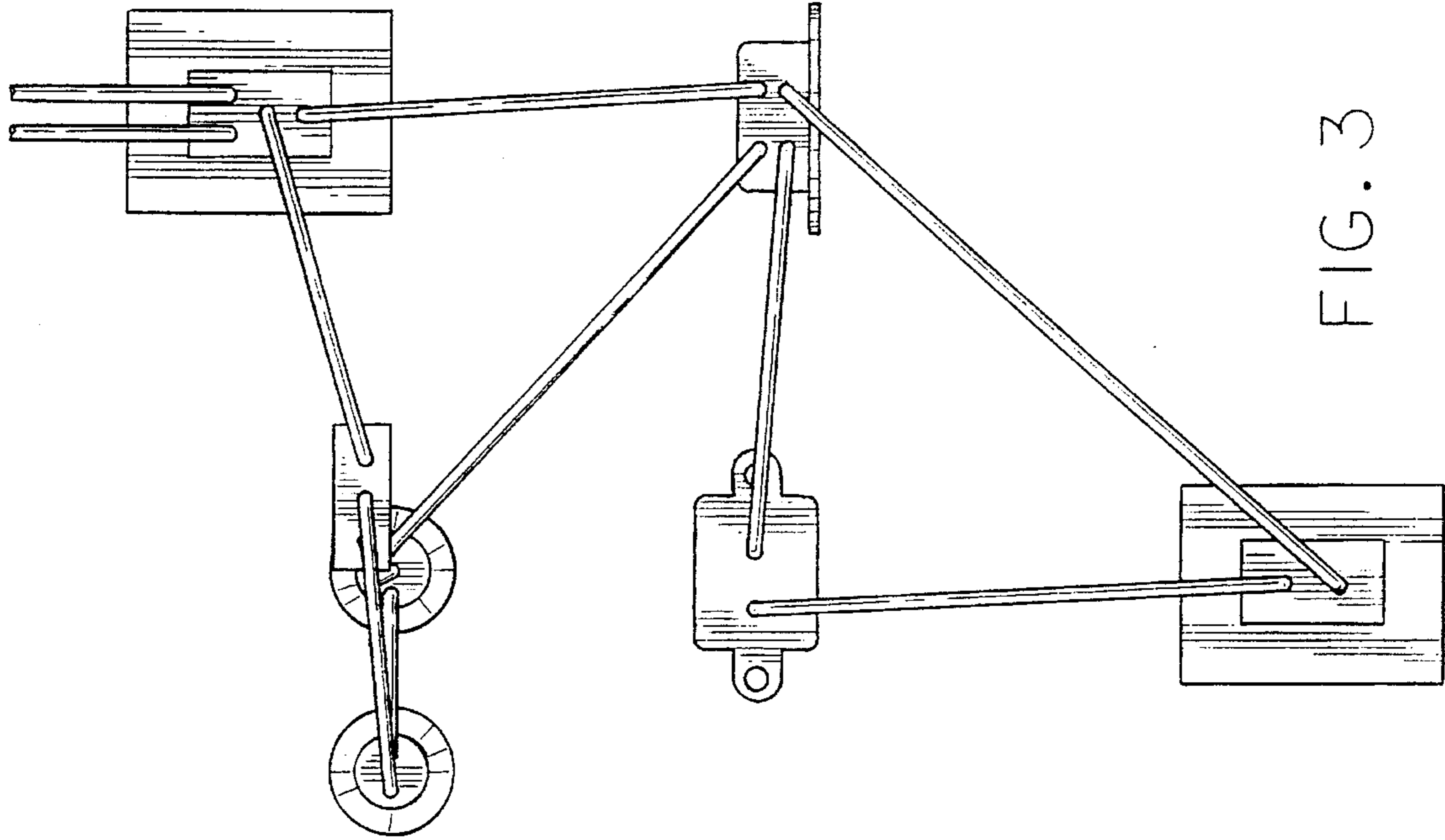


FIG. 1



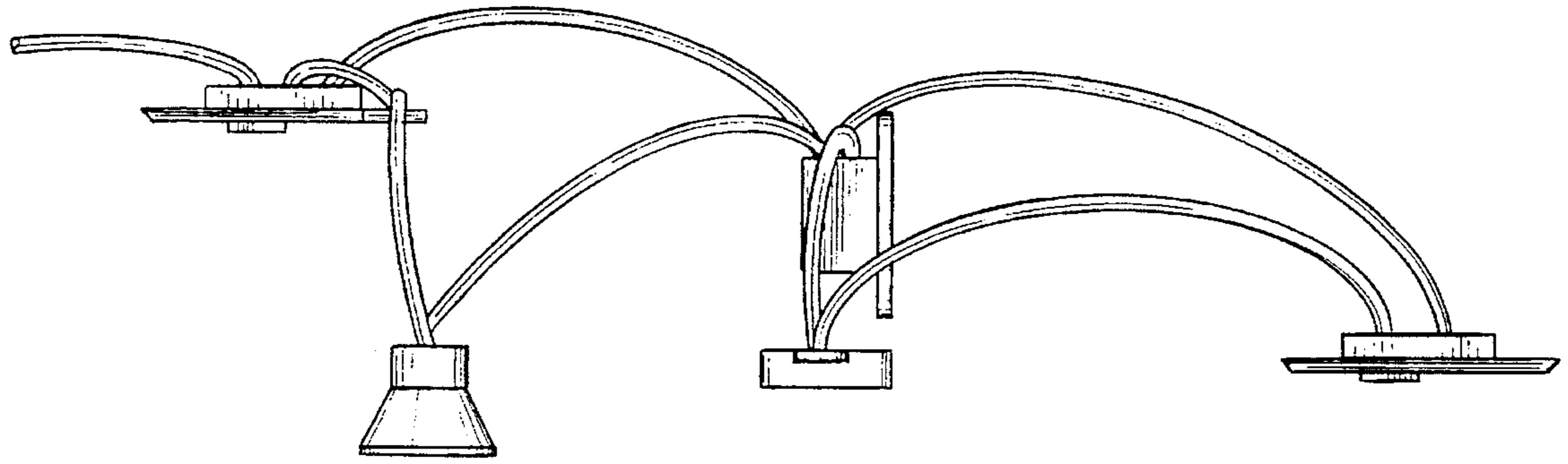


FIG. 5

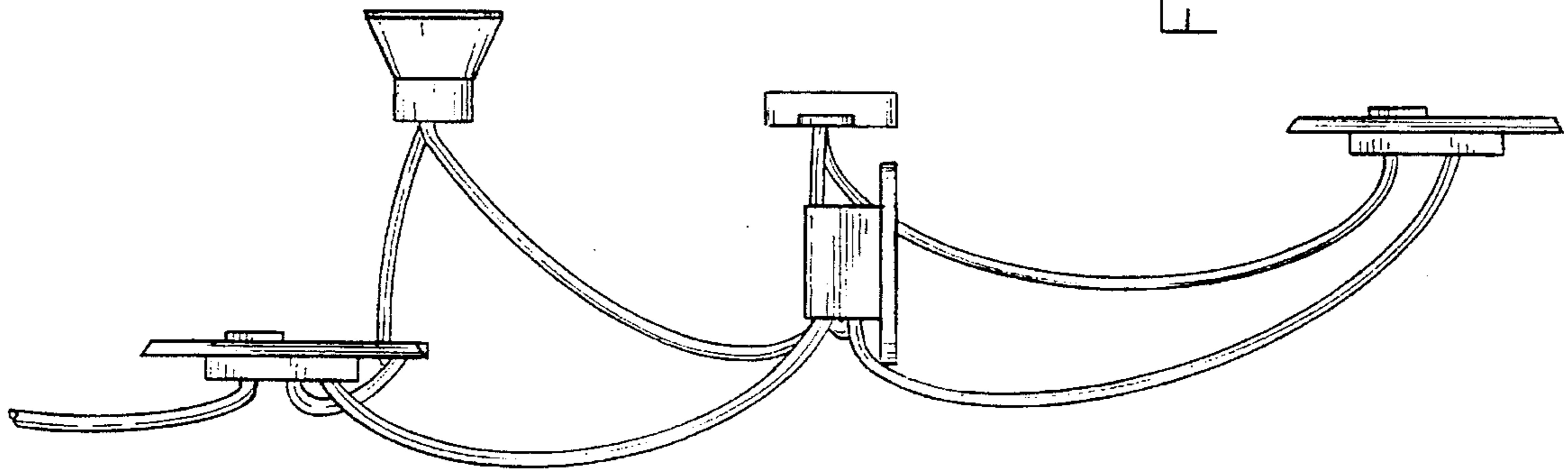


FIG. 4

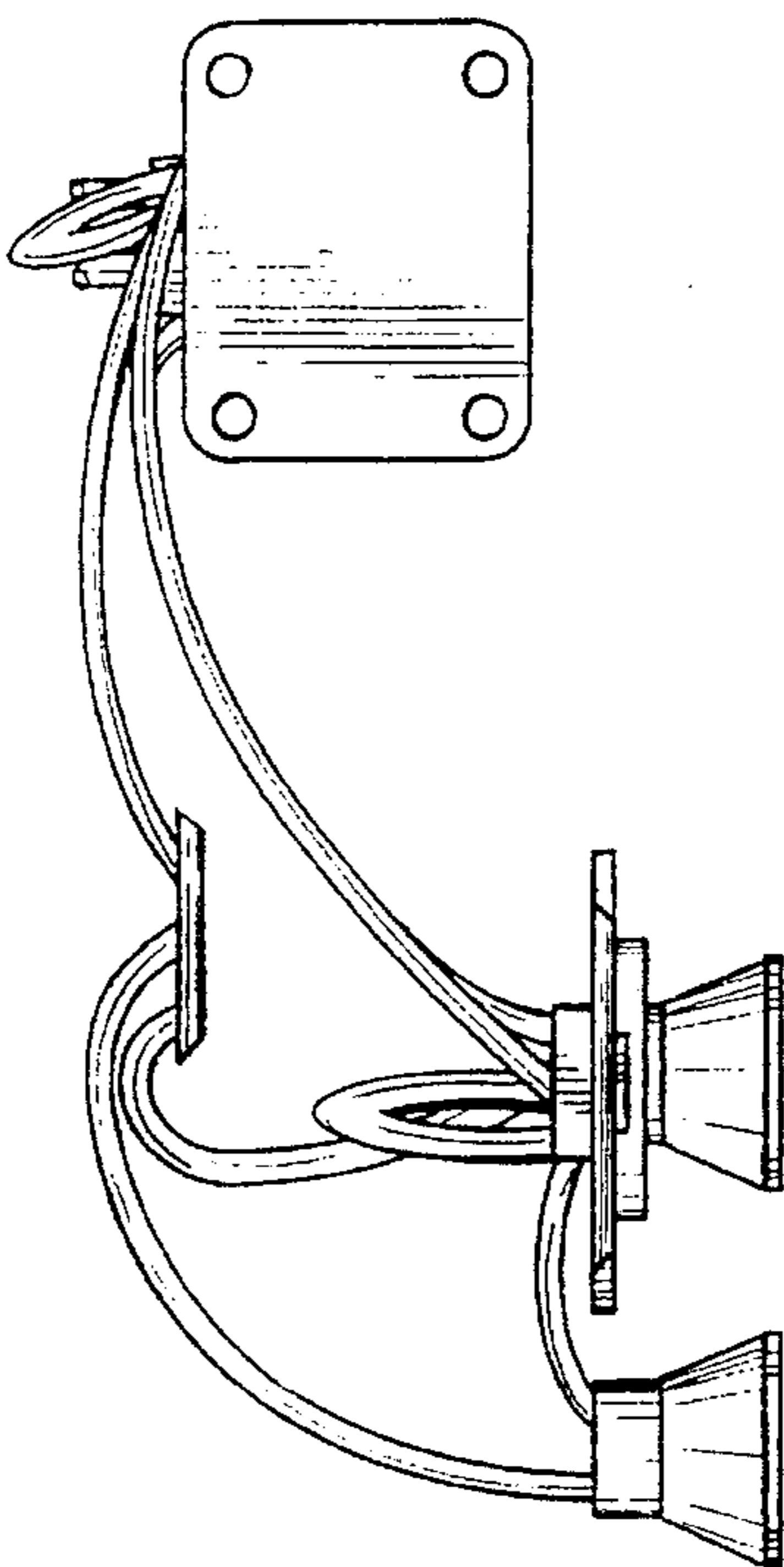


FIG. 6

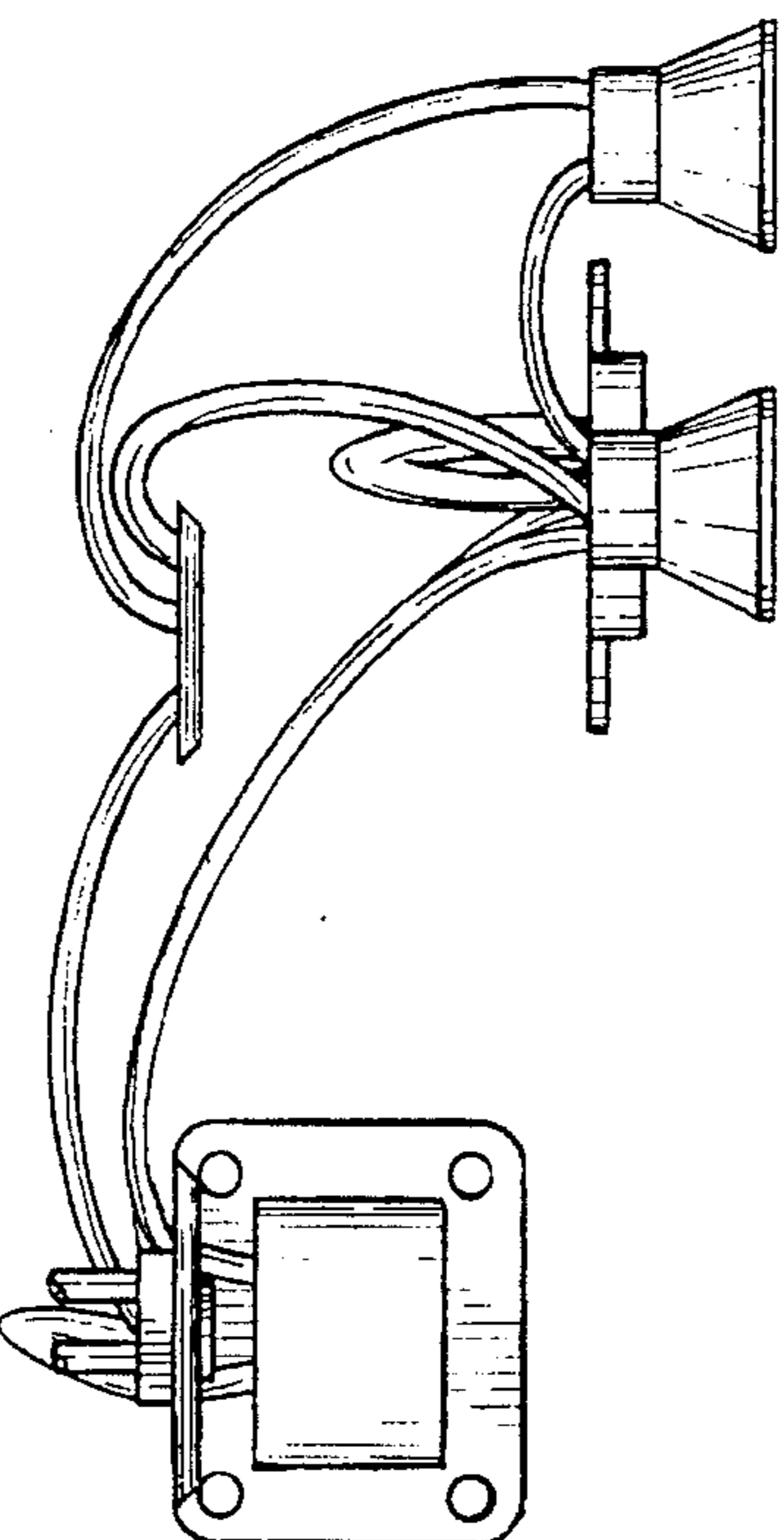


FIG. 7