



US00D374832S

United States Patent [19]
Ramos

[11] **Patent Number: Des. 374,832**

[45] **Date of Patent: **Oct. 22, 1996**

[54] **AUTOMOBILE FUEL CALCULATOR**

Attorney, Agent, or Firm—Harpman & Harpman

[76] Inventor: **Miguel A. Ramos**, 38520 Pond Ave.,
Palmdale, Calif. 93552

[57] **CLAIM**

[**] Term: **14 Years**

The ornamental design for a automobile fuel calculator, as shown and described.

[21] Appl. No.: **44,493**

DESCRIPTION

[22] Filed: **Sep. 25, 1995**

FIG. 1 is a front, top and side perspective view of the automobile fuel calculator embodying the design of the present invention;

[52] U.S. Cl. **D10/104; D26/31**

FIG. 2 is a front elevational view thereof;

[58] Field of Search **D10/104, 106, D10/116, 121; 340/425.5, 450, 450.2, 457, 463; D26/30, 31; D18/1, 2, 6, 7**

FIG. 3 is a rear elevational view thereof;

FIG. 4 is a side elevational view thereof, the opposite side elevational view being identical thereto;

[56] **References Cited**

U.S. PATENT DOCUMENTS

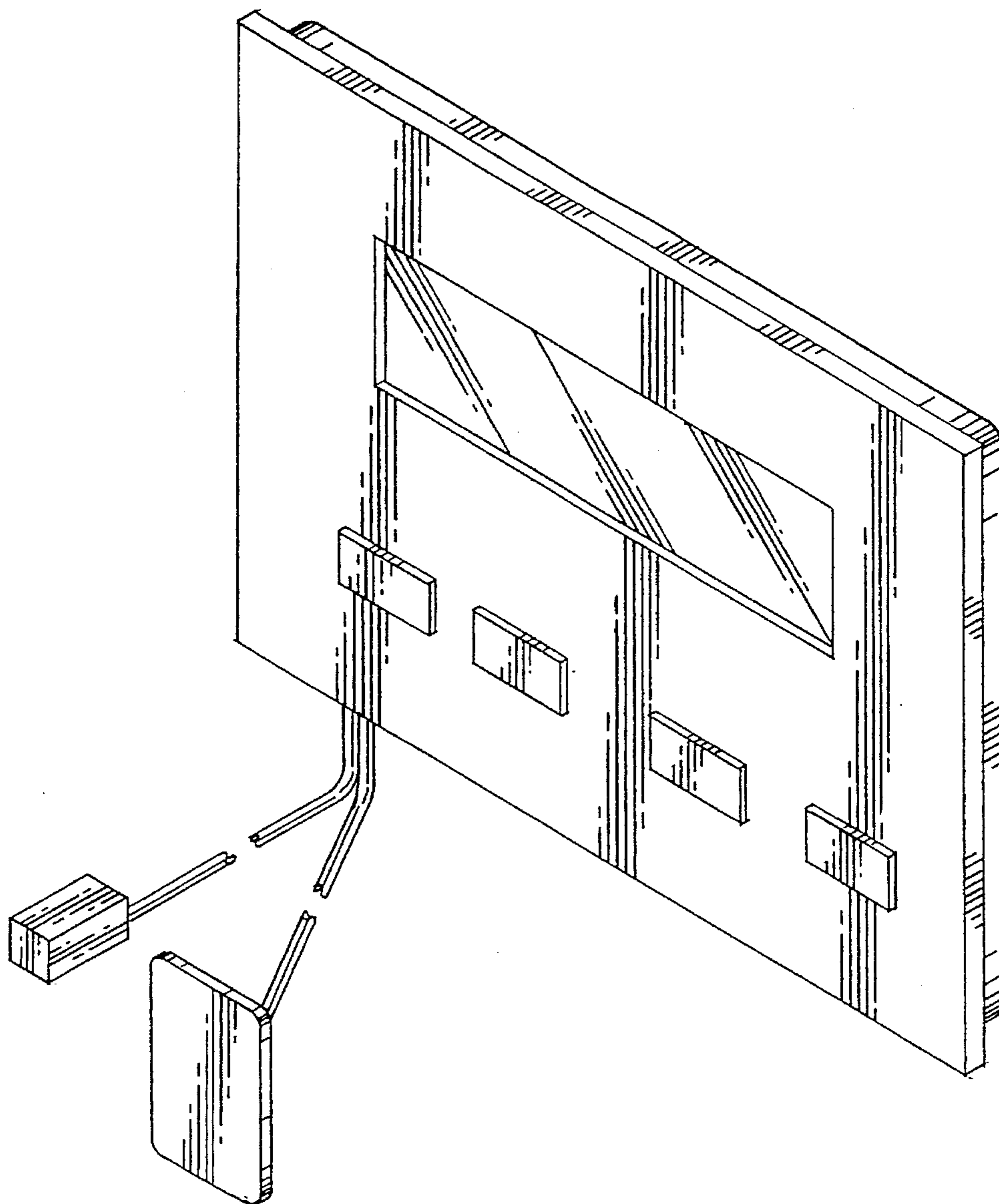
FIG. 5 is a top plan view thereof; and,

FIG. 6 is a bottom plan view thereof.

D. 264,450 5/1982 Smith, Jr. **D10/106**

Primary Examiner—Marcus A. Jackson

1 Claim, 3 Drawing Sheets



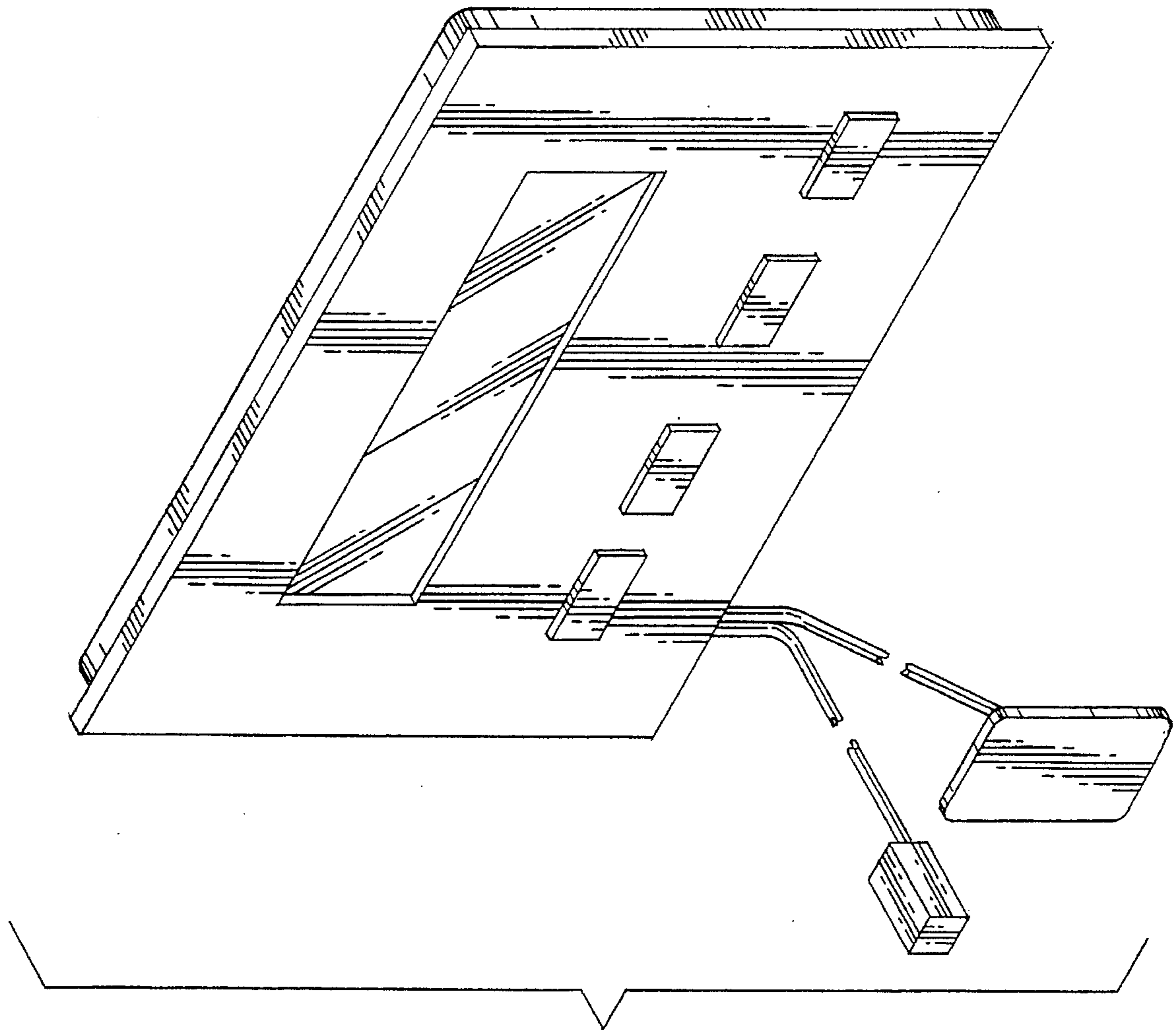


FIG. 1

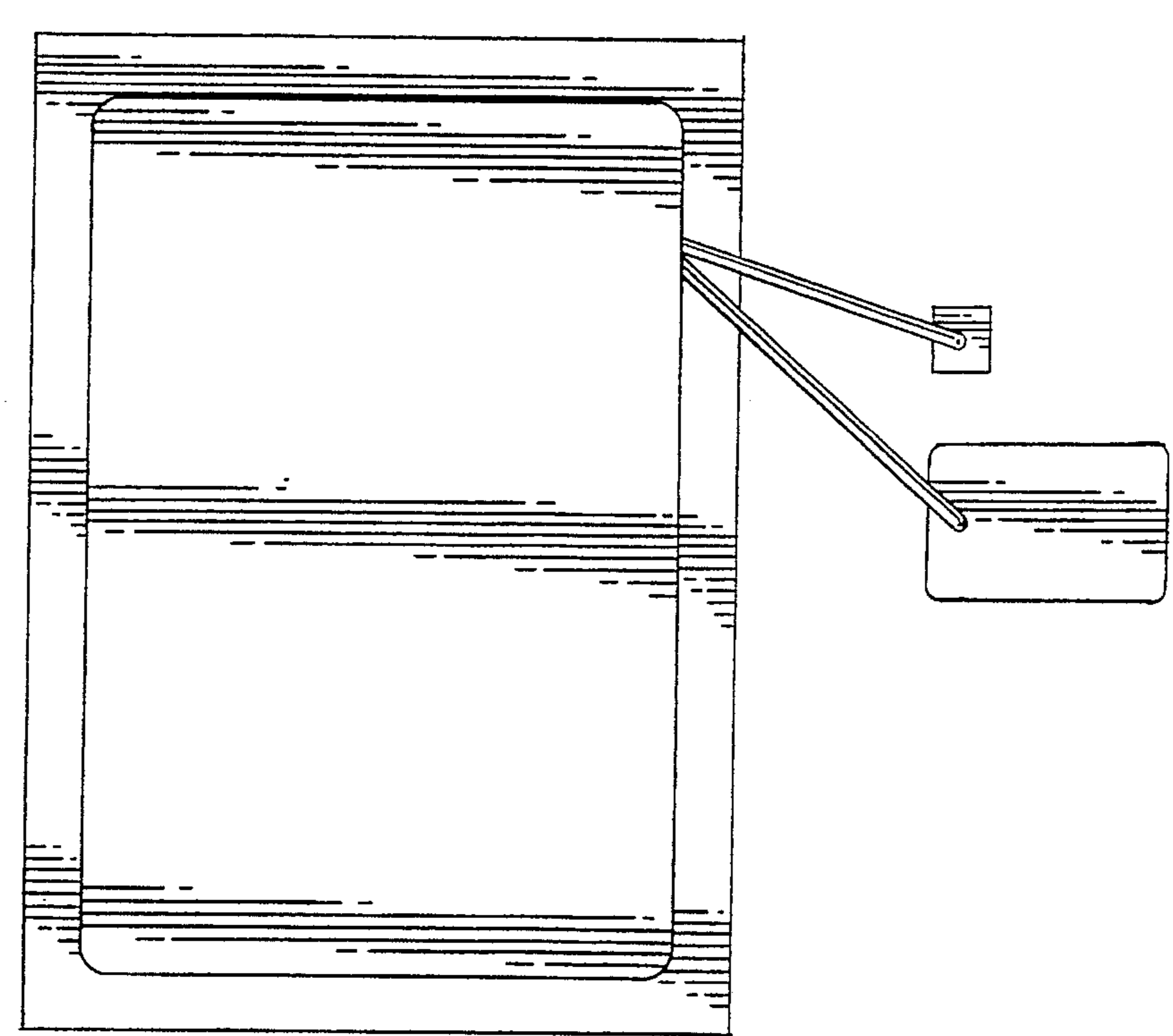


FIG. 3

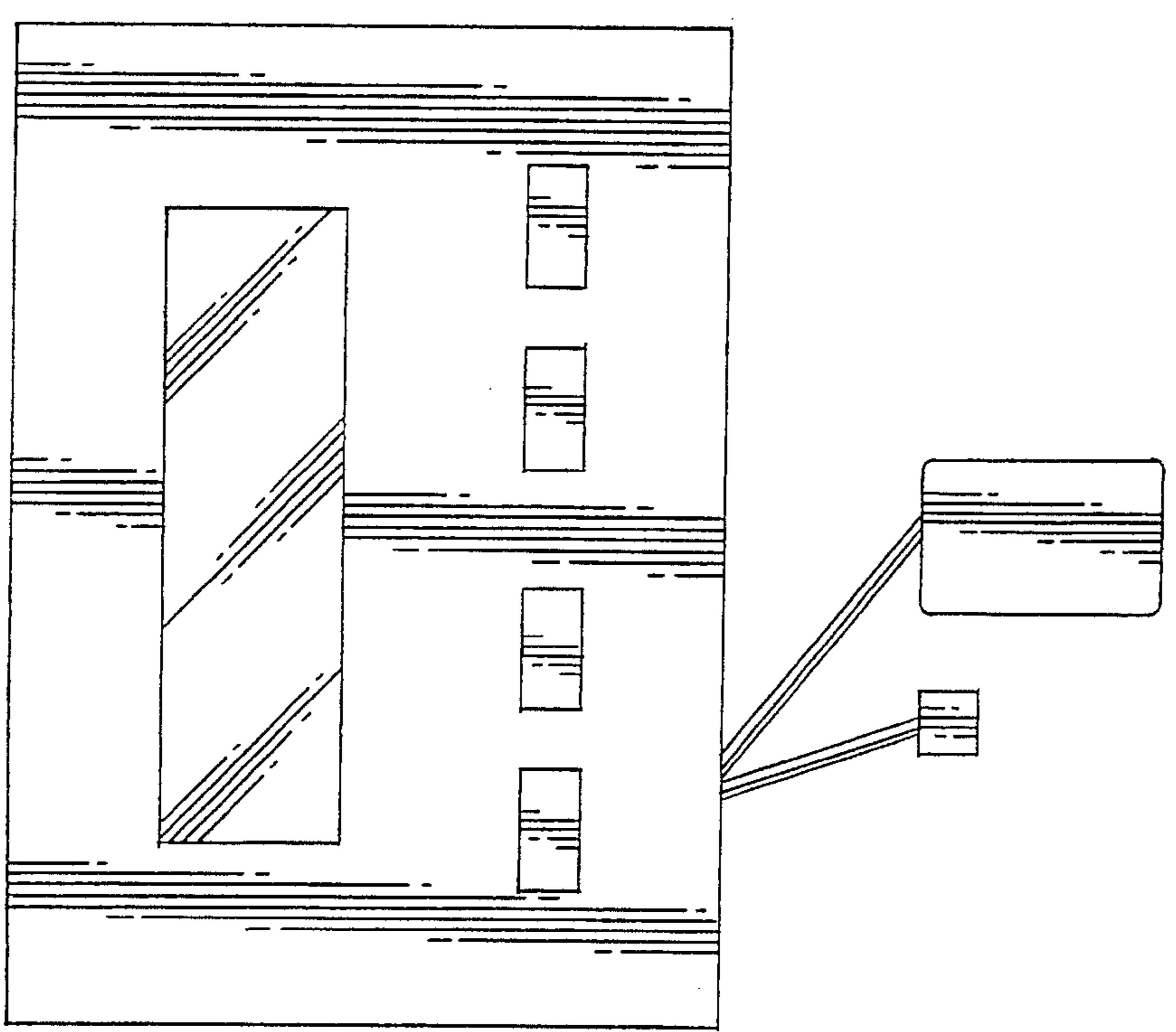


FIG. 2

FIG. 6

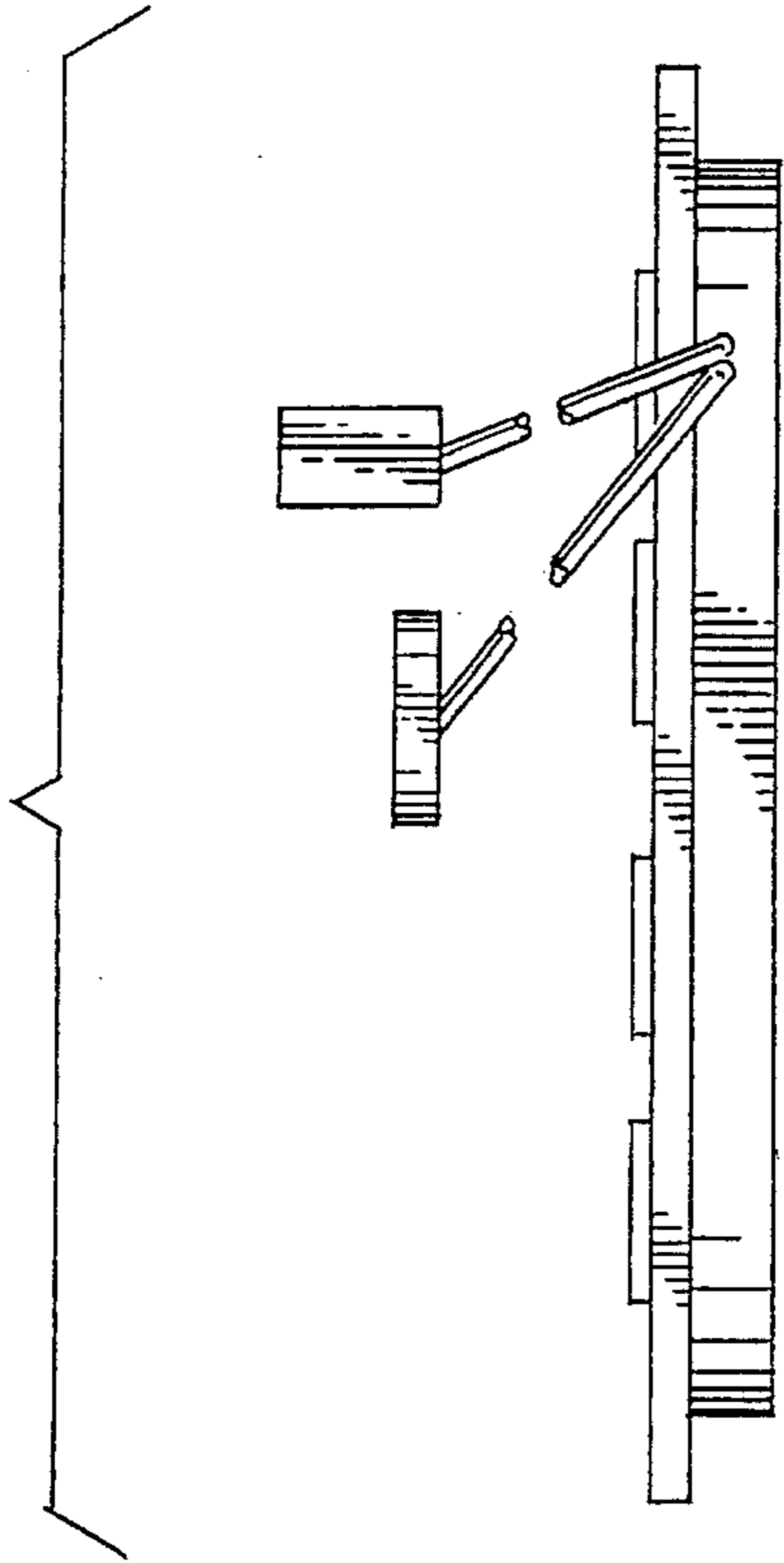


FIG. 5

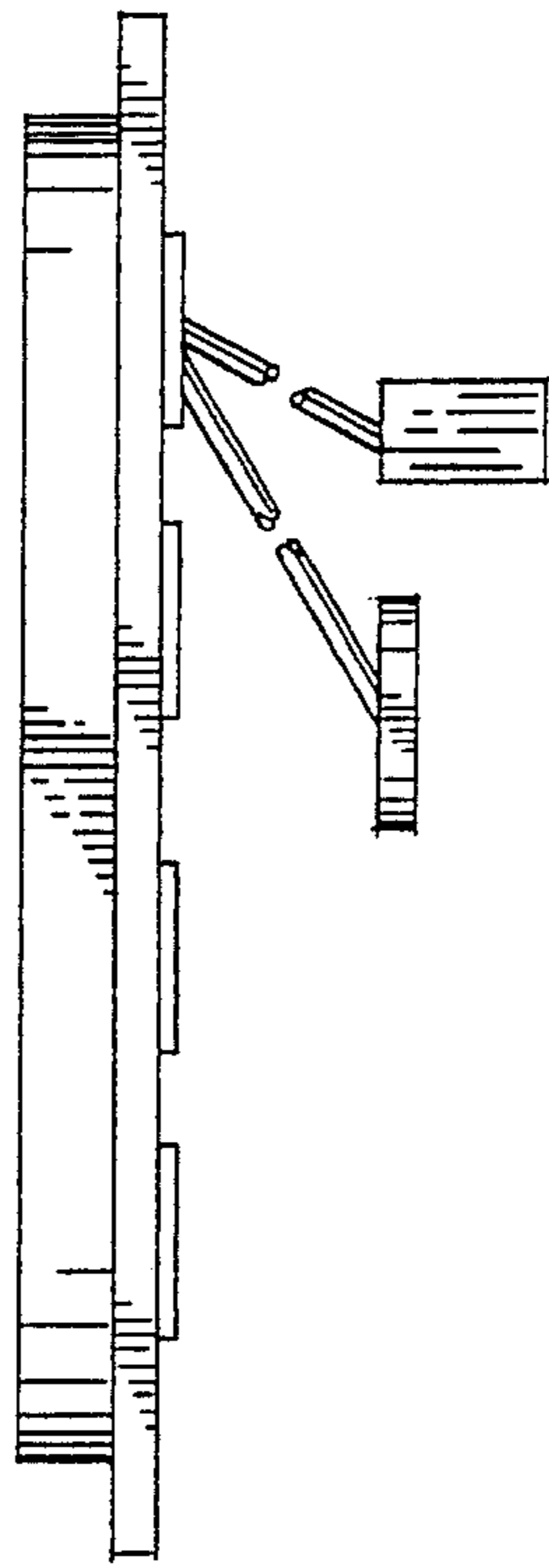


FIG. 4

