



US00D374831S

# United States Patent [19]

[11] Patent Number: **Des. 374,831**

**Hoyt**

[45] Date of Patent: **\*\*Oct. 22, 1996**

[54] **COMBINED CONTROL PANEL, DISPLAY UNIT AND ANTENNA FOR AN EMERGENCY VEHICLE SENSOR SYSTEM**

[57] **CLAIM**

[76] Inventor: **Thomas Hoyt, 5820 E. 36th St., Tucson, Ariz. 85711**

The ornamental design for a combined control panel, display unit and antenna for an emergency vehicle sensor system, as shown and described.

[\*\*] Term: **14 Years**

**DESCRIPTION**

[21] Appl. No.: **41,766**

FIG. 1 is a perspective view of an a combined control panel, display unit and antenna for an emergency vehicle sensor system showing my new design;

[22] Filed: **Jul. 24, 1995**

FIG. 2 is a front perspective view of the display portion thereof;

[52] U.S. Cl. .... **D10/104**

FIG. 3 is a rear view thereof;

[58] Field of Search ..... D10/104, 106, D10/109, 121; D26/30, 31, 32, 33; 340/438, 914, 901, 902, 903, 904, 905, 906, 907, 908, 909

FIG. 4 is a right side view thereof;

FIG. 5 is a left view thereof;

FIG. 6 is a top view thereof; and

FIG. 7 is a bottom view thereof;

[56] **References Cited**

### U.S. PATENT DOCUMENTS

D. 337,066	7/1993	Thompson	.....	D10/104
D. 344,243	2/1994	Peraino et al.	.....	D10/104
D. 345,116	3/1994	Cardinali	.....	D10/106
D. 351,805	10/1994	Pagano	.....	D10/104
D. 357,427	4/1995	Lee	.....	D10/104
D. 366,848	2/1996	Brown et al.	.....	D10/104
3,873,963	3/1975	Neal et al.	.....	340/902

FIG. 8 is a perspective view of the control portion thereof;

FIG. 9 is a top view thereof;

FIG. 10 is a bottom view thereof;

FIG. 11 is a front view thereof;

FIG. 12 is a rear view thereof;

FIG. 13 is a left end view thereof;

FIG. 14 is a right end view thereof;

FIG. 15 is a perspective view of the antenna portion thereof;

FIG. 16 is a front view thereof;

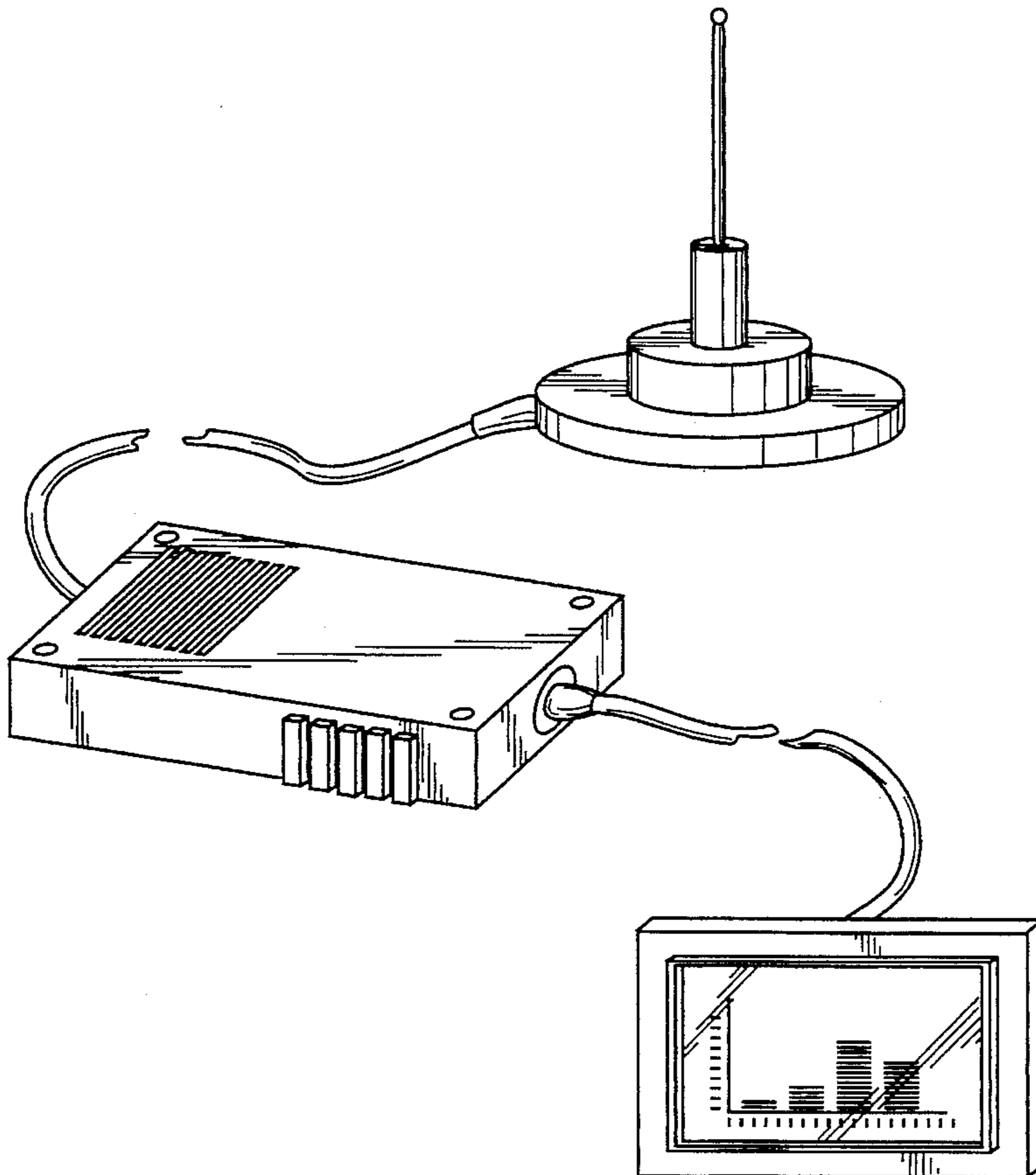
FIG. 17 is a bottom view thereof; and,

FIG. 18 is a top view thereof.

*Primary Examiner*—Marcus A. Jackson

*Attorney, Agent, or Firm*—Harold H. Dutton, Jr.; Diane S. Liebman; W. Charles L. Jamison

**1 Claim, 6 Drawing Sheets**



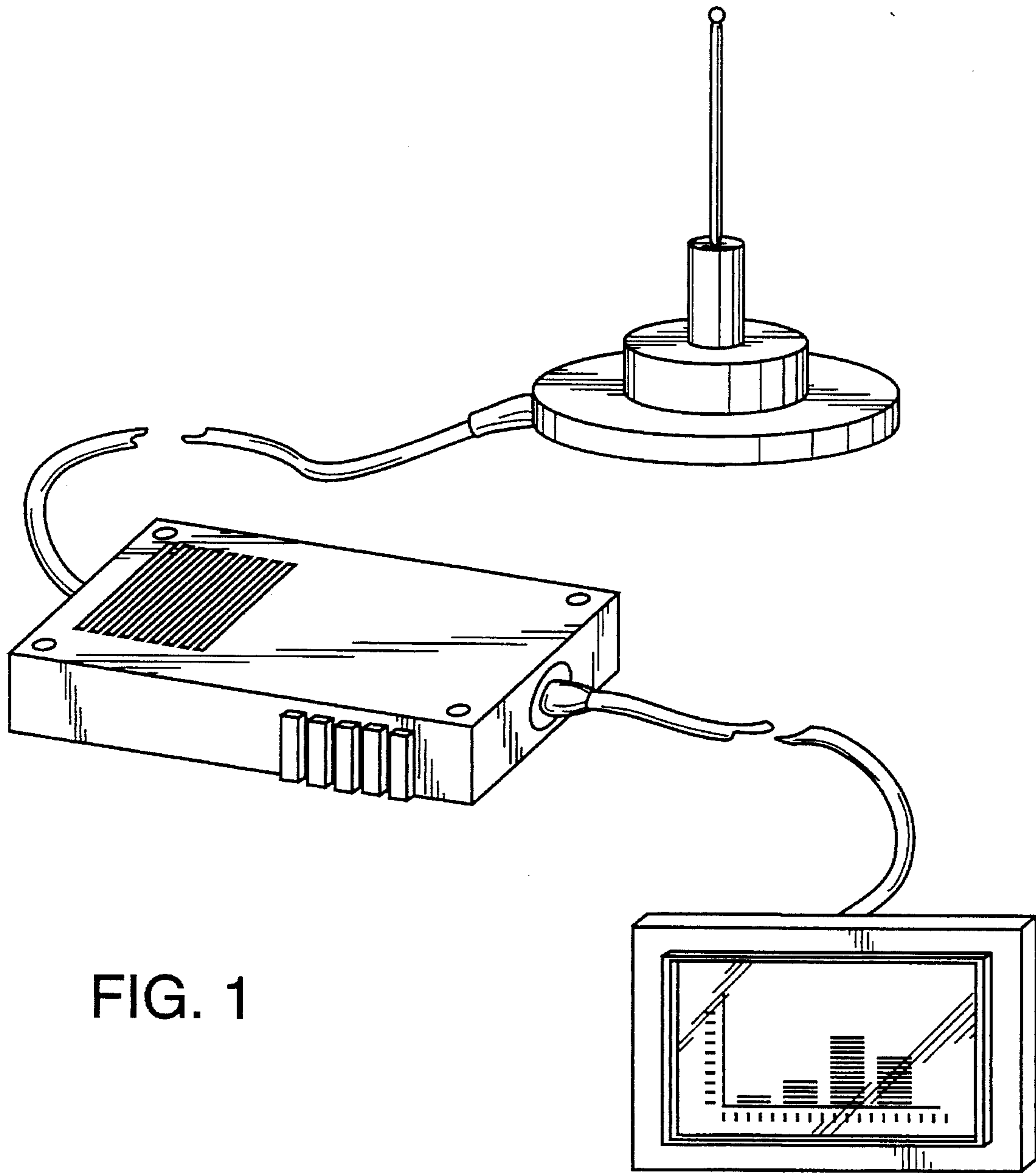


FIG. 1

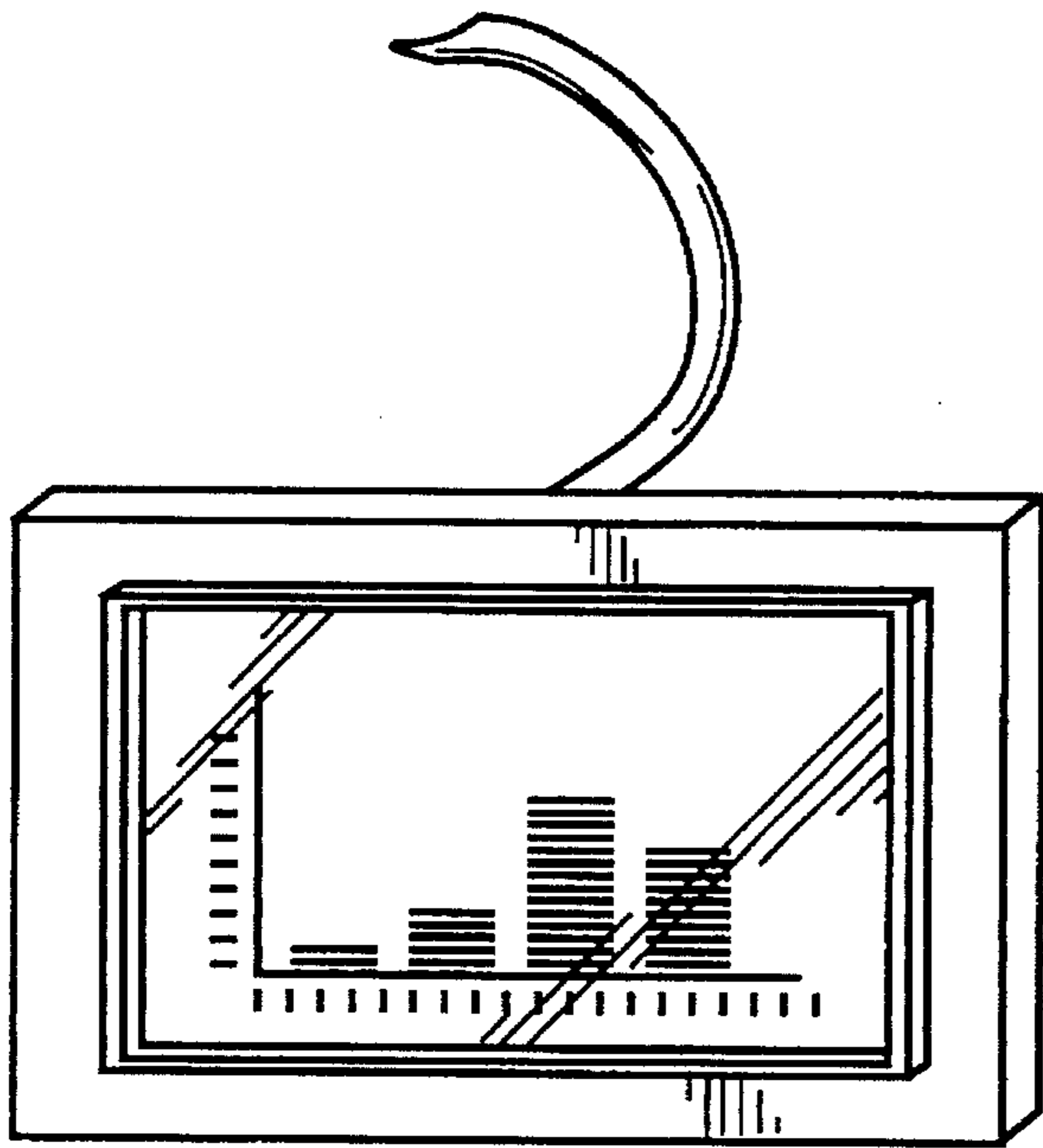


FIG. 2

FIG. 3

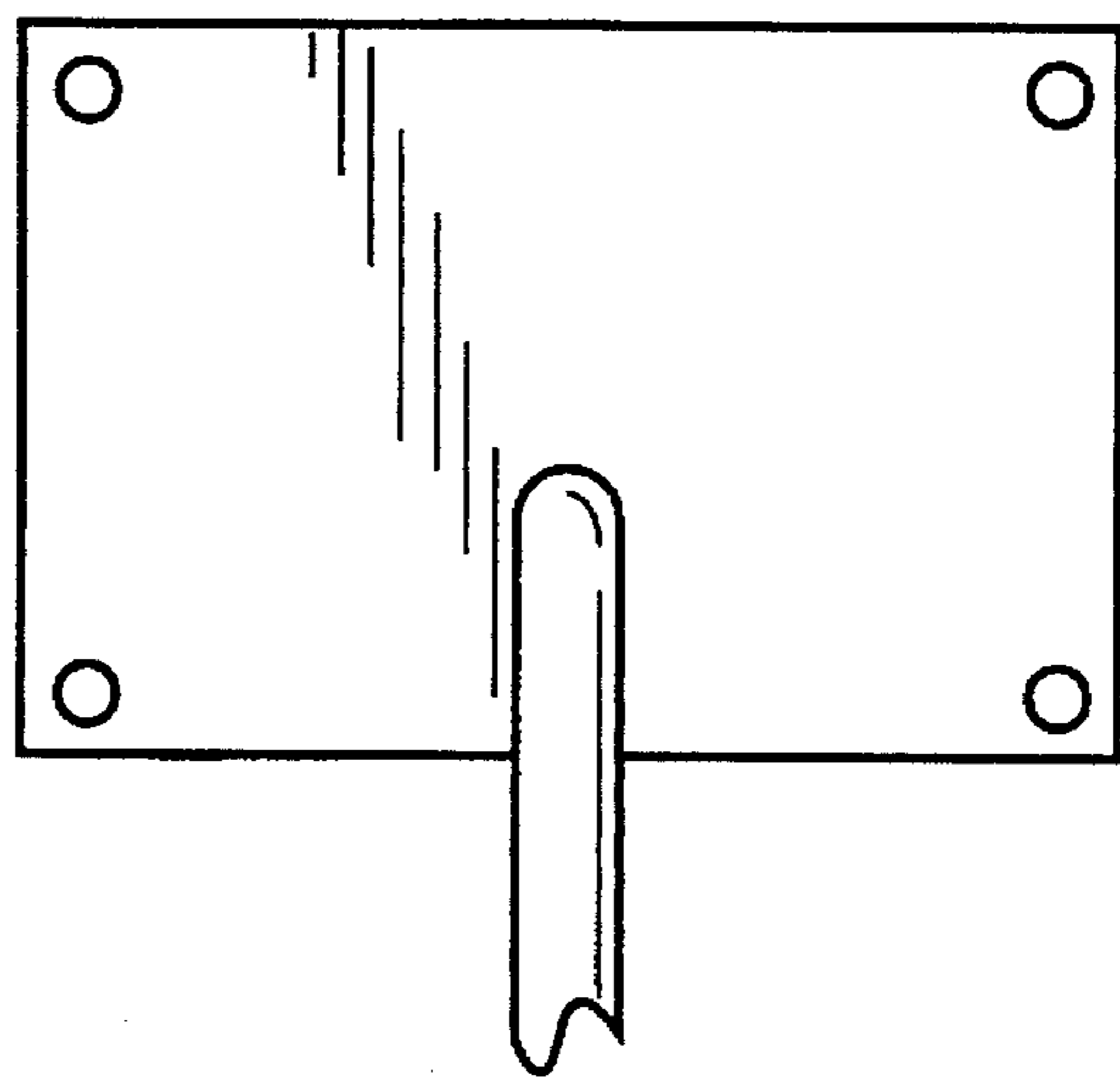


FIG. 4

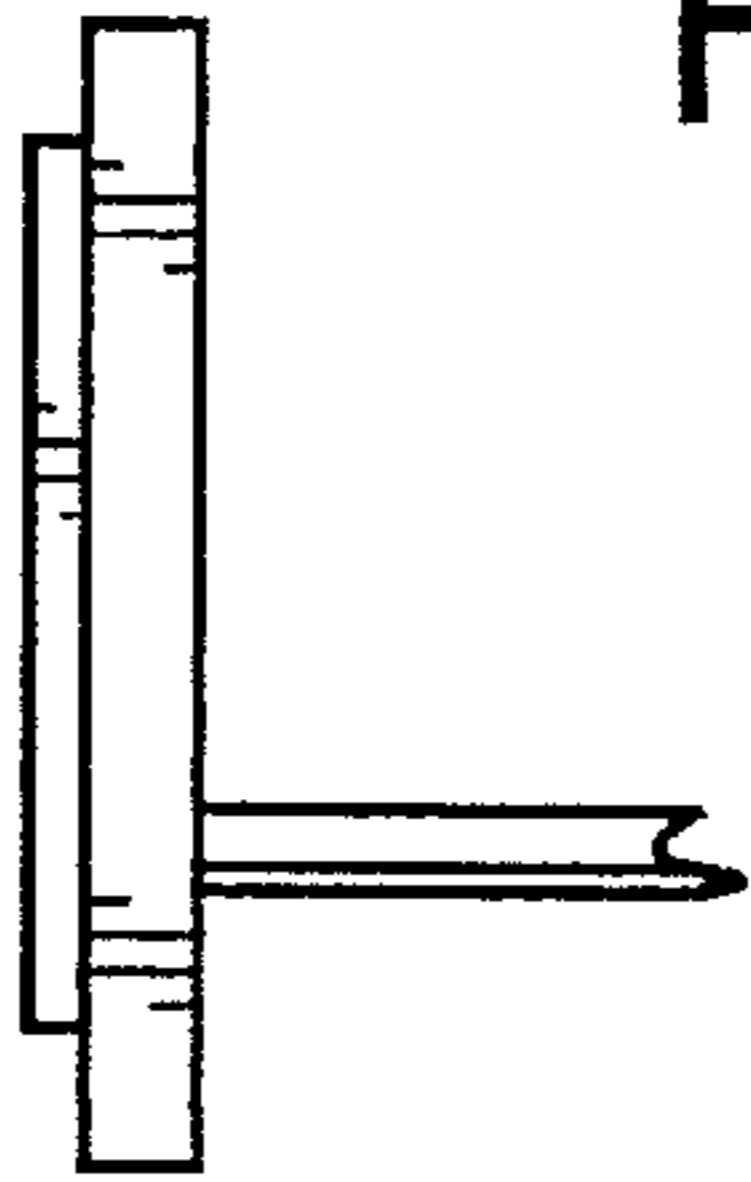


FIG. 5

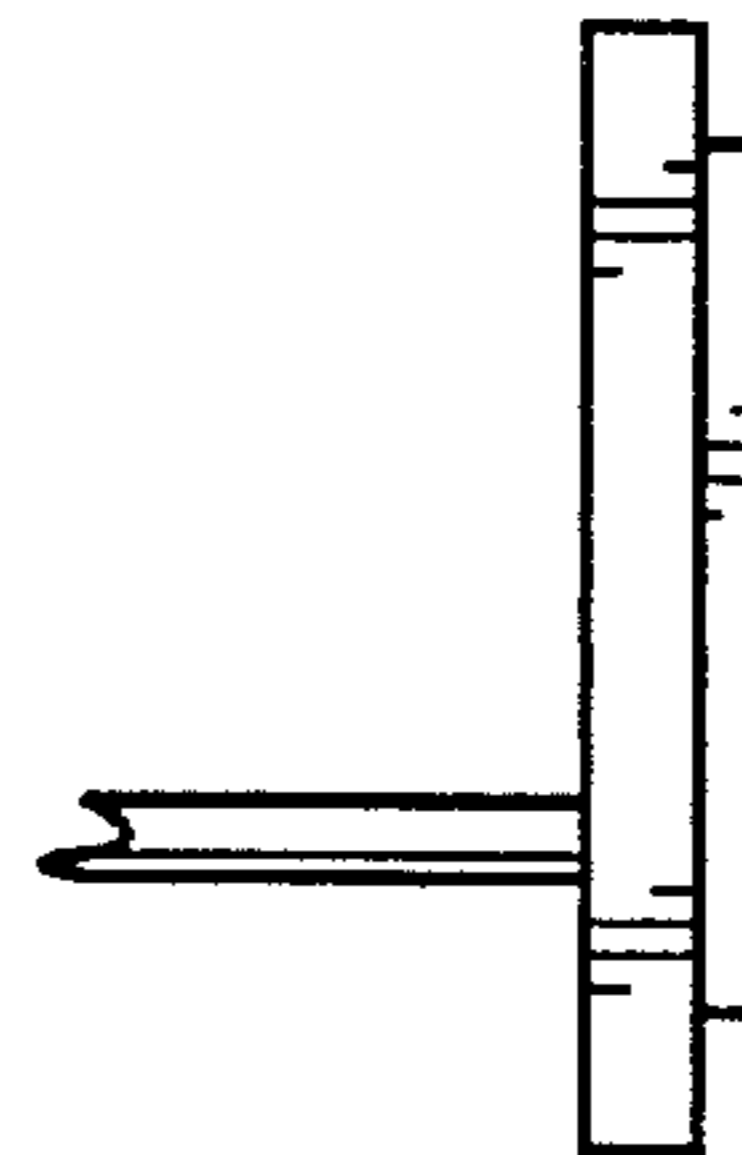


FIG. 6

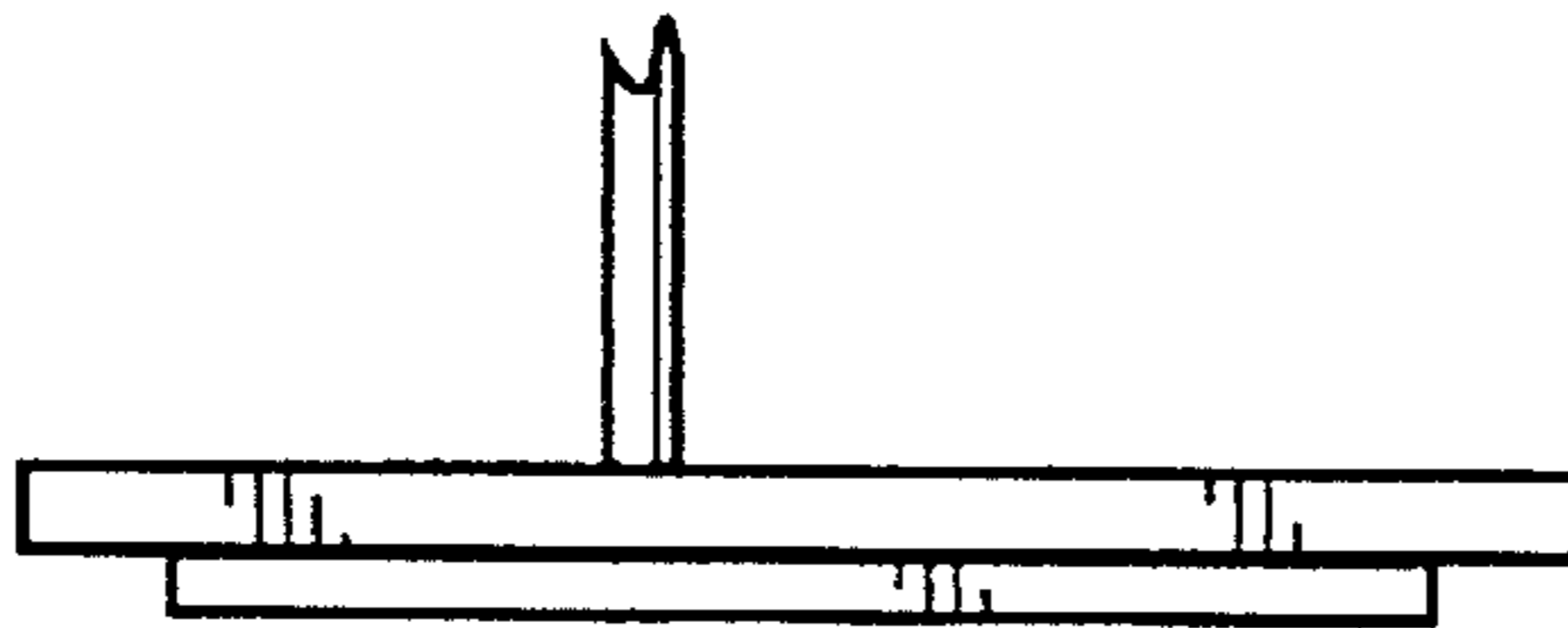
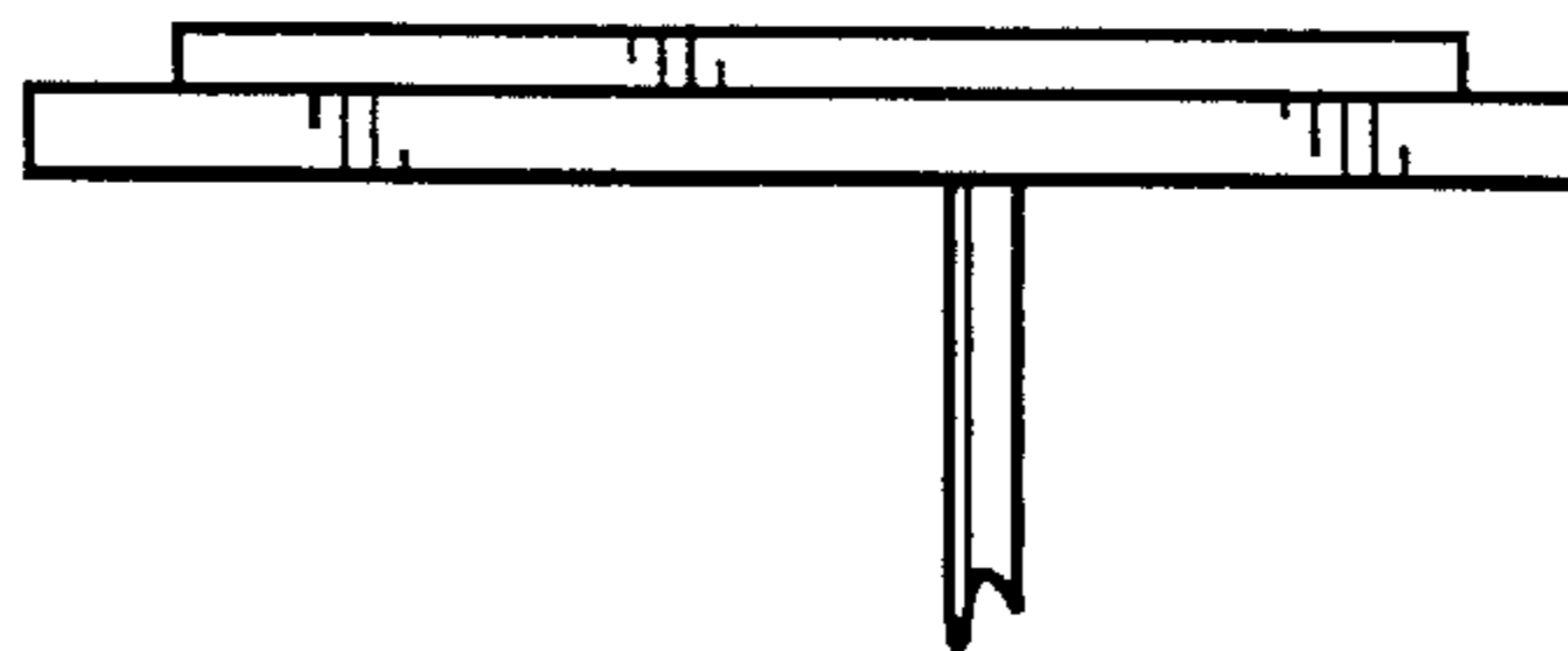


FIG. 7



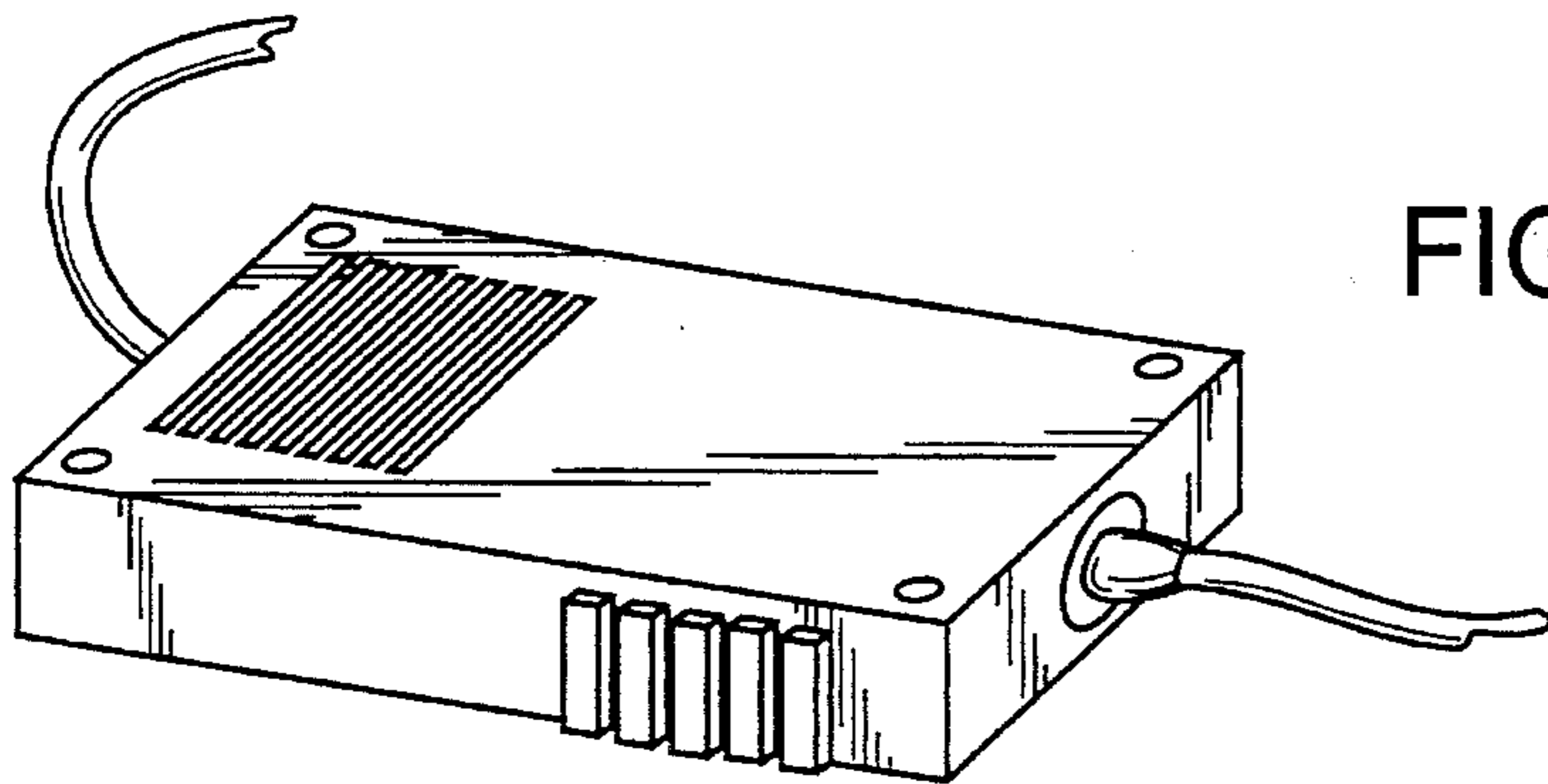


FIG. 8

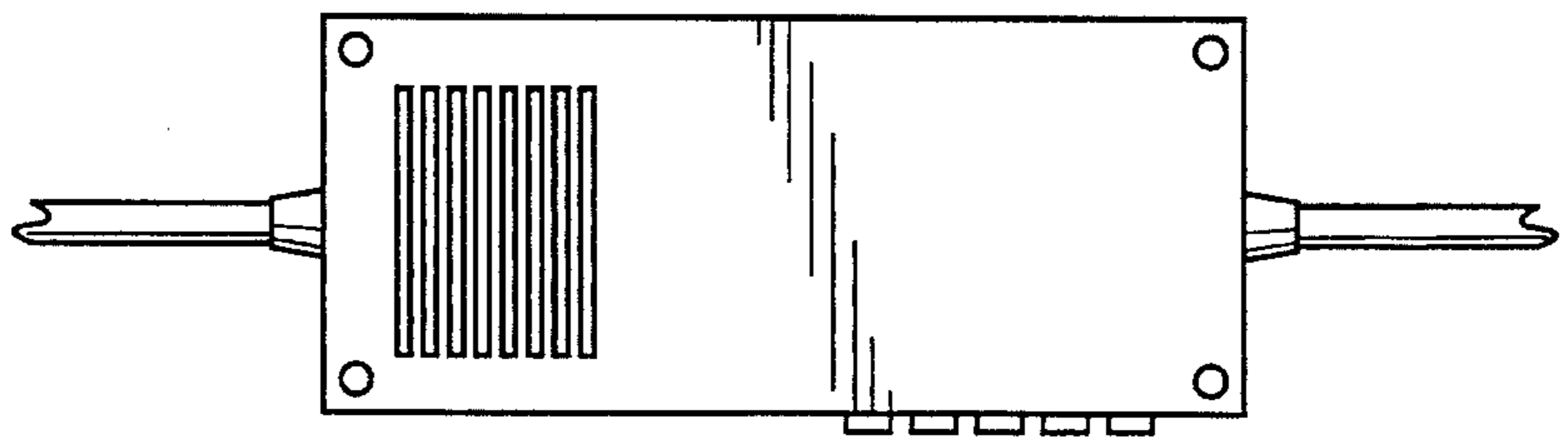


FIG. 9

FIG. 10

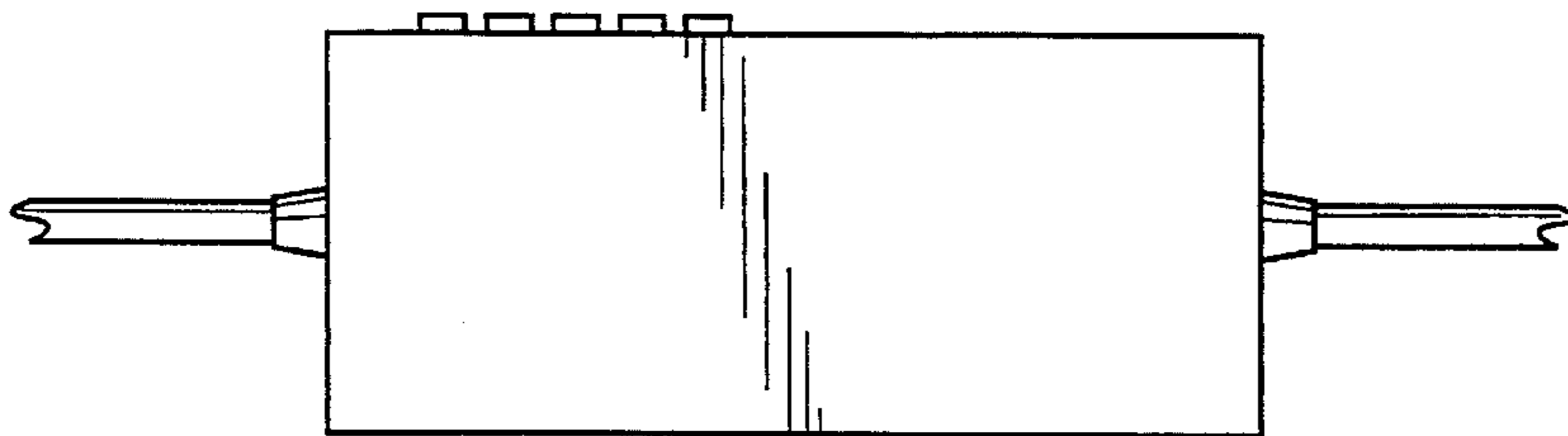


FIG. 11

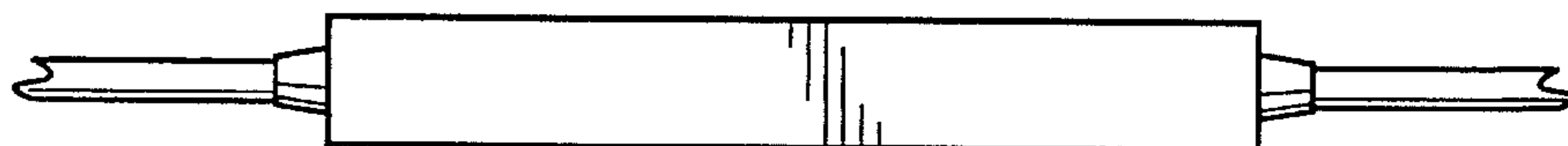


FIG. 12



FIG. 13



FIG. 14

FIG. 15

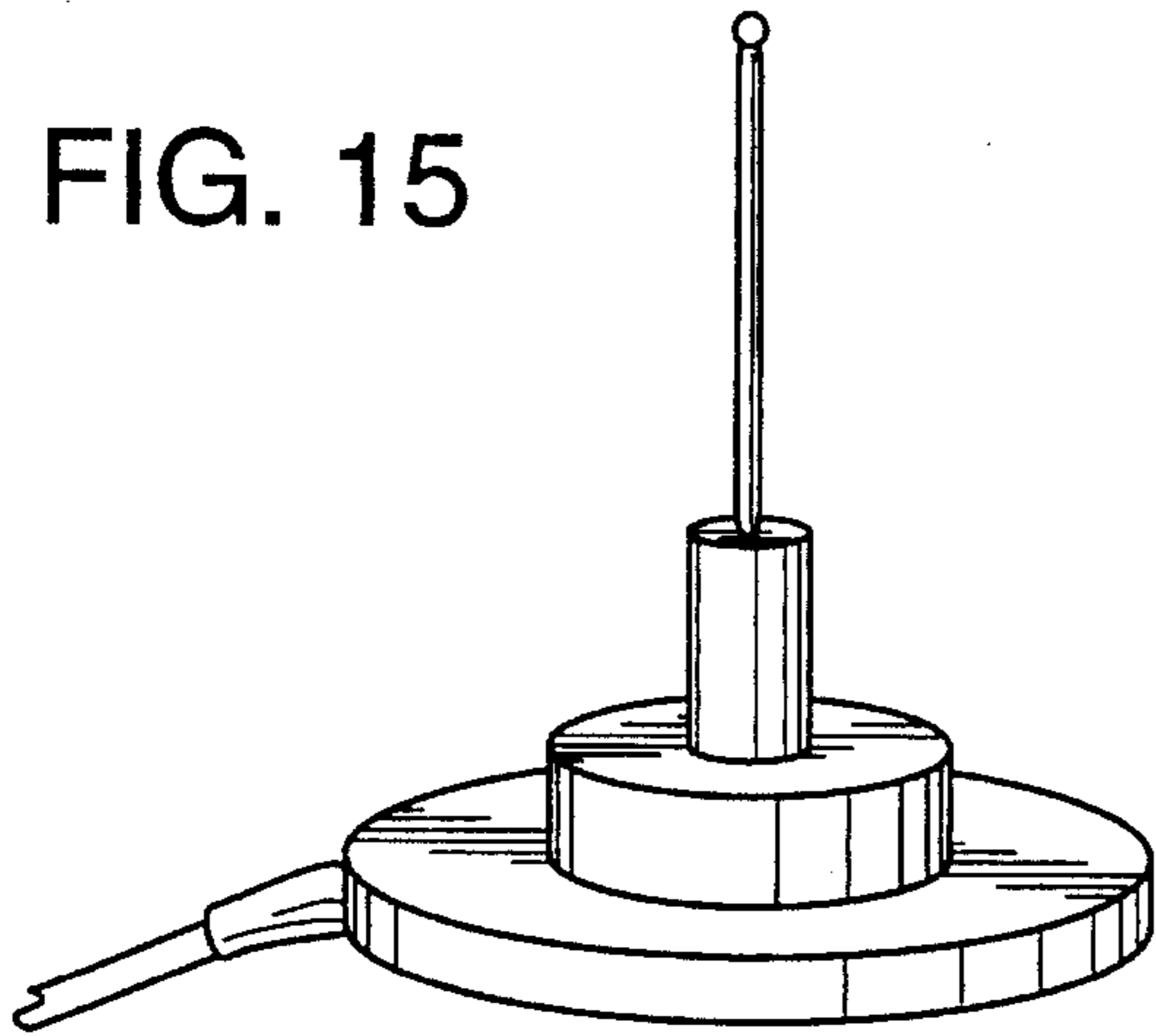


FIG. 16

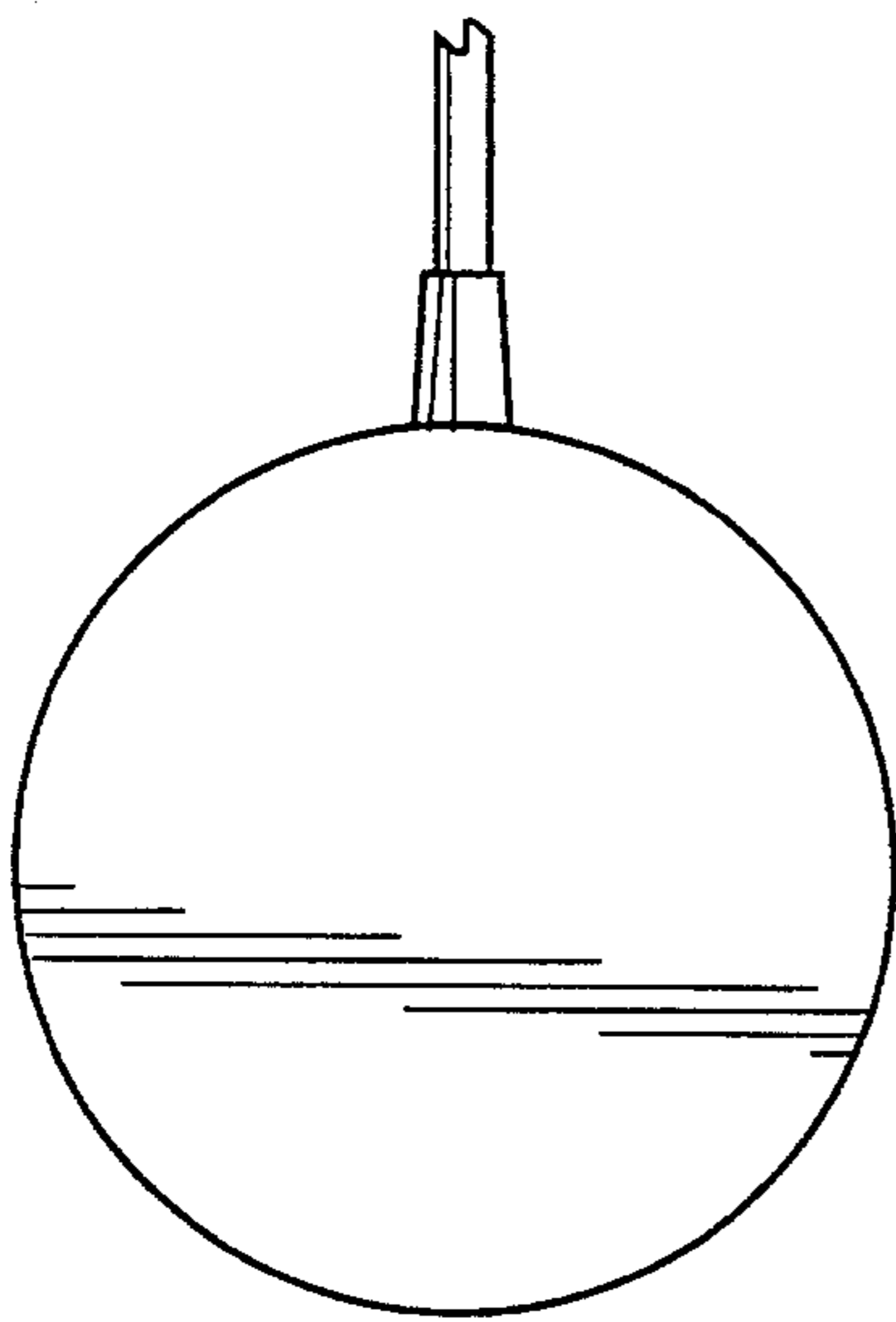
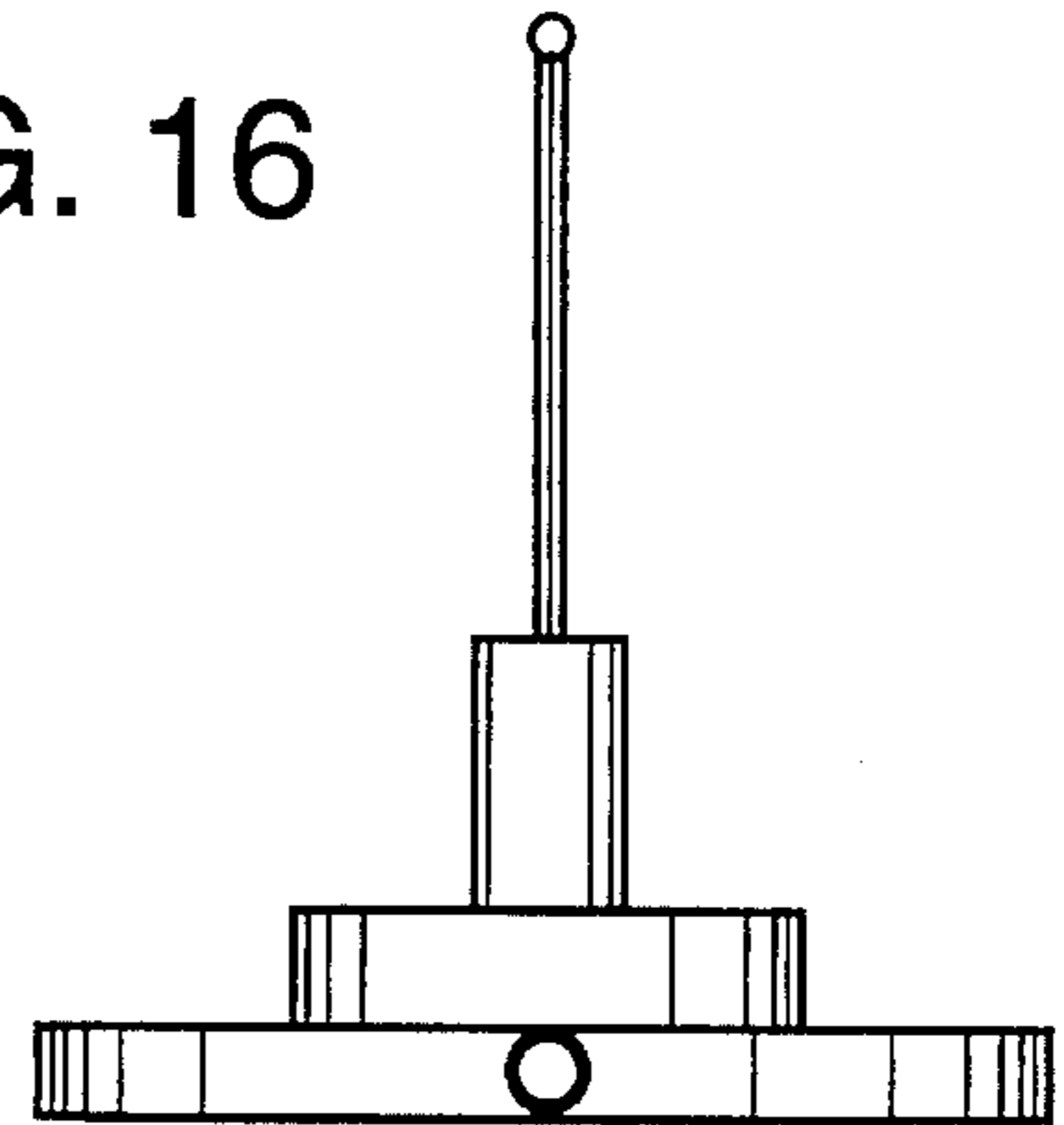


FIG. 17

FIG. 18

