



US00D374829S

United States Patent [19]

Yue

[11] Patent Number: **Des. 374,829**

[45] Date of Patent: ****Oct. 22, 1996**

[54] METAL DETECTOR

[75] Inventor: **Gilbert Y. Yue**, Kowloon, Hong Kong

[73] Assignee: **Alert Enterprises, Inc.**, San Diego, Calif.

[**] Term: **14 Years**

[21] Appl. No.: **43,870**

[22] Filed: **Aug. 31, 1995**

[52] U.S. Cl. **D10/47**

[58] Field of Search **D10/47; 324/328, 324/327, 329**

[56] **References Cited**

U.S. PATENT DOCUMENTS

D. 274,704	7/1984	Garrett et al.	D10/47
4,334,192	6/1982	Podhrasky	324/329
5,055,793	10/1991	Mulcahey	324/326
5,430,379	7/1995	Parkington et al.	324/329

Primary Examiner—Antoine Duval Davis
Attorney, Agent, or Firm—Brown, Martin, Haller & McClain

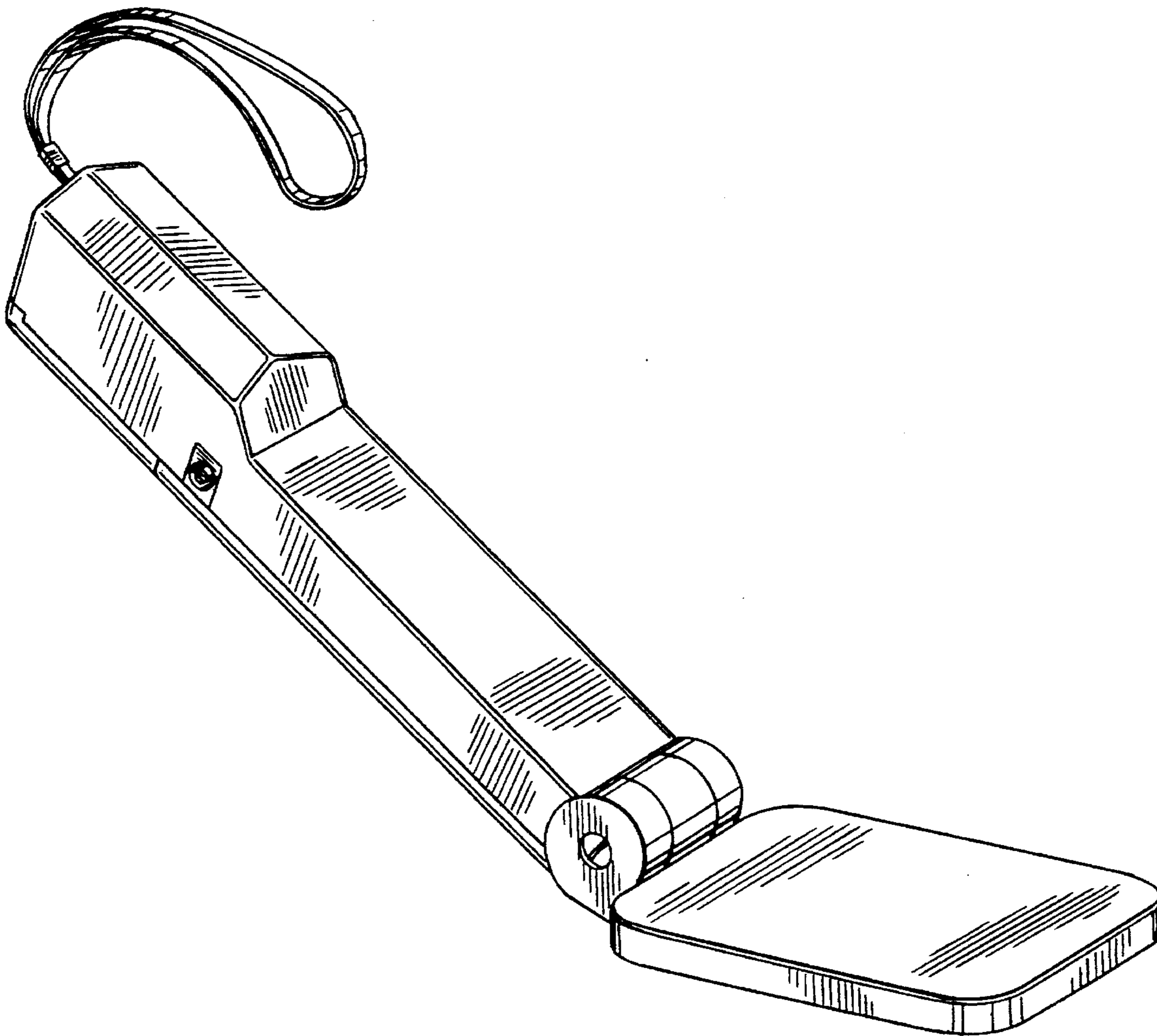
[57] **CLAIM**

The ornamental design for a metal detector, as shown and described.

DESCRIPTION

FIG. 1 is a perspective view of a metal detector showing my new design;
FIG. 2 is a side elevational view thereof with the head at a different angle;
FIG. 3 is a bottom plan view thereof;
FIG. 4 is an end elevational view thereof;
FIG. 5 is a side elevational view with the head folded;
FIG. 6 is a perspective view of a metal detector with a ring shaped head, all other features being similar; and,
FIG. 7 is a bottom plan view of the configuration of FIG. 6.

1 Claim, 2 Drawing Sheets



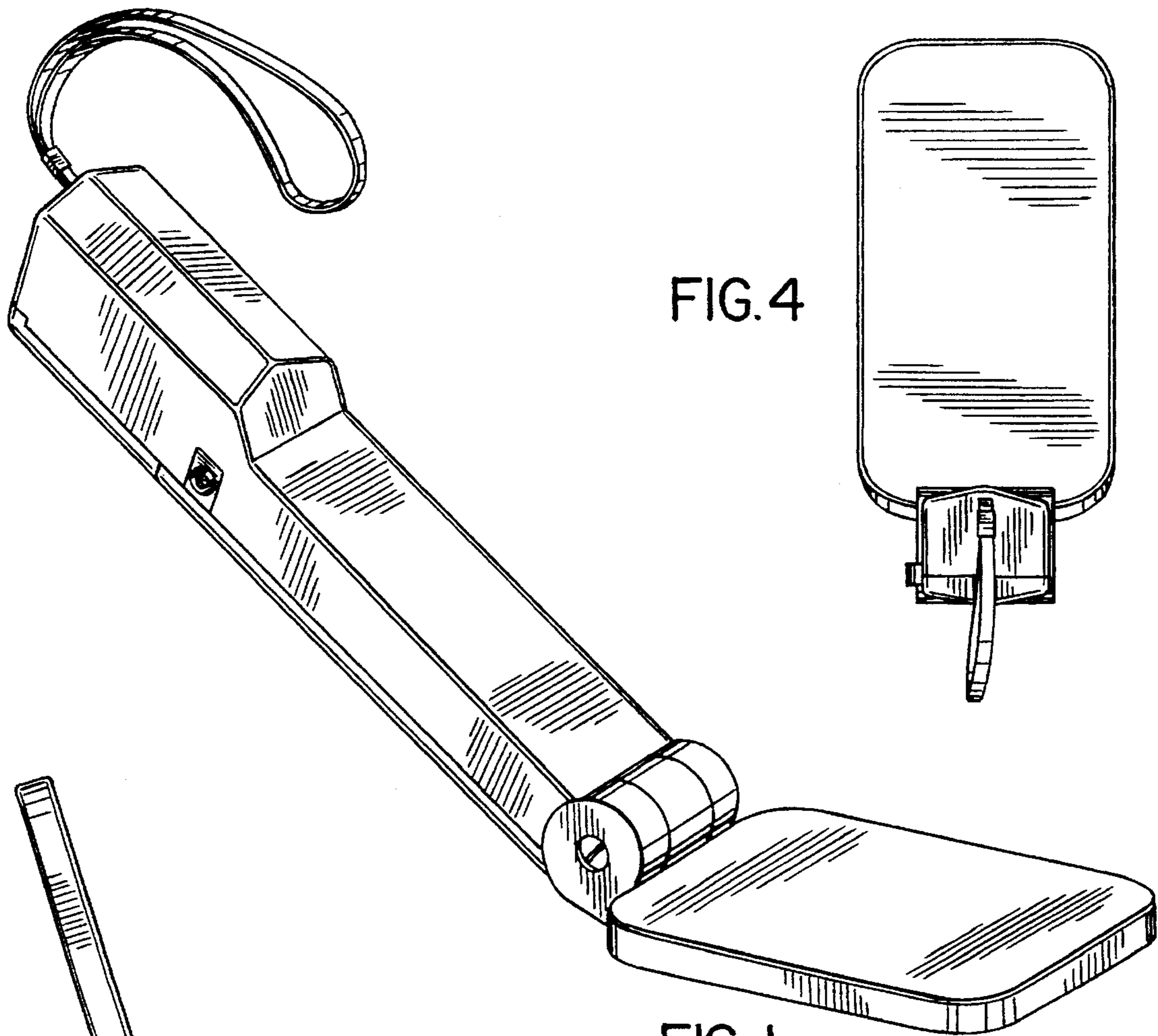


FIG. 4

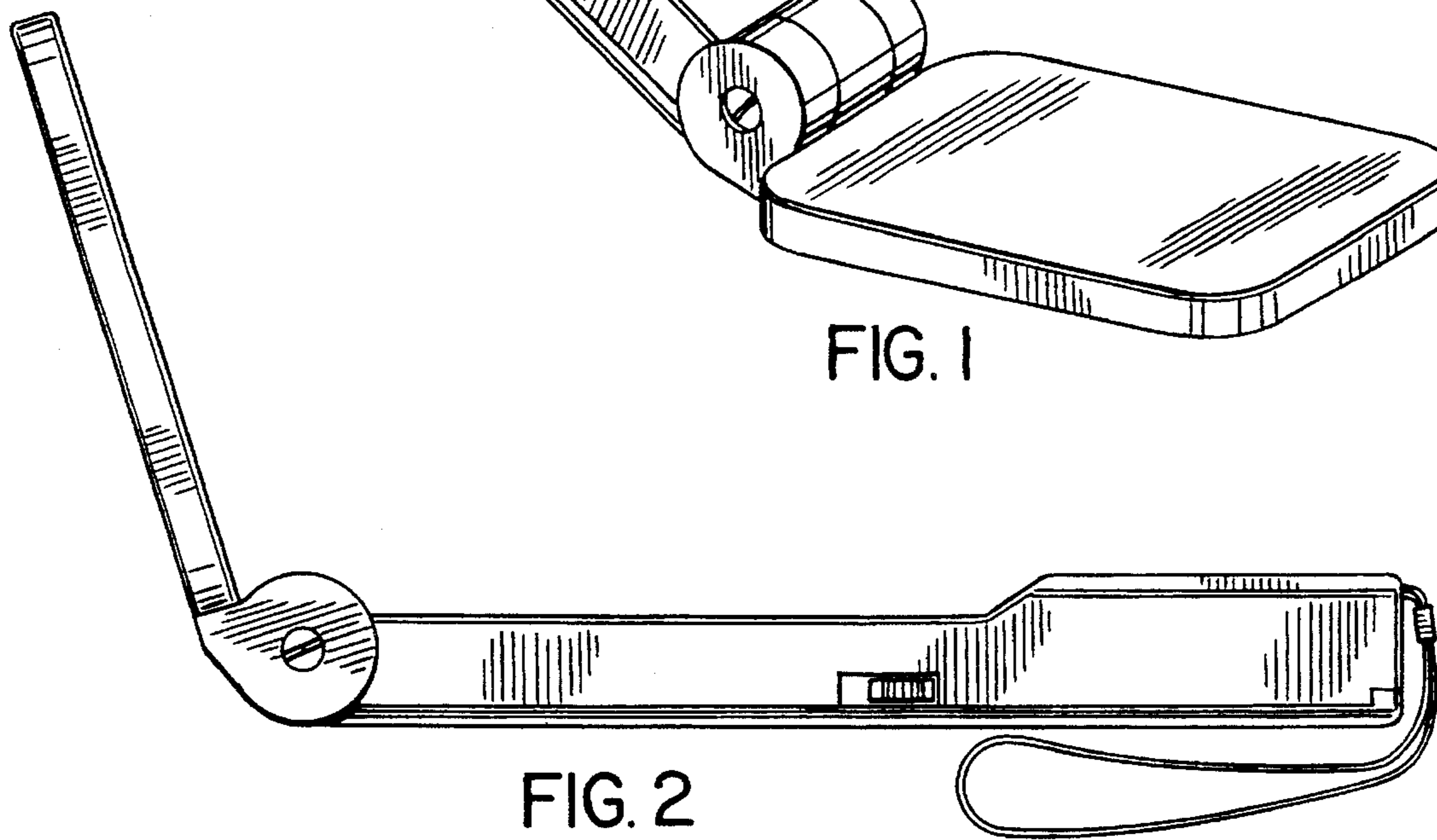
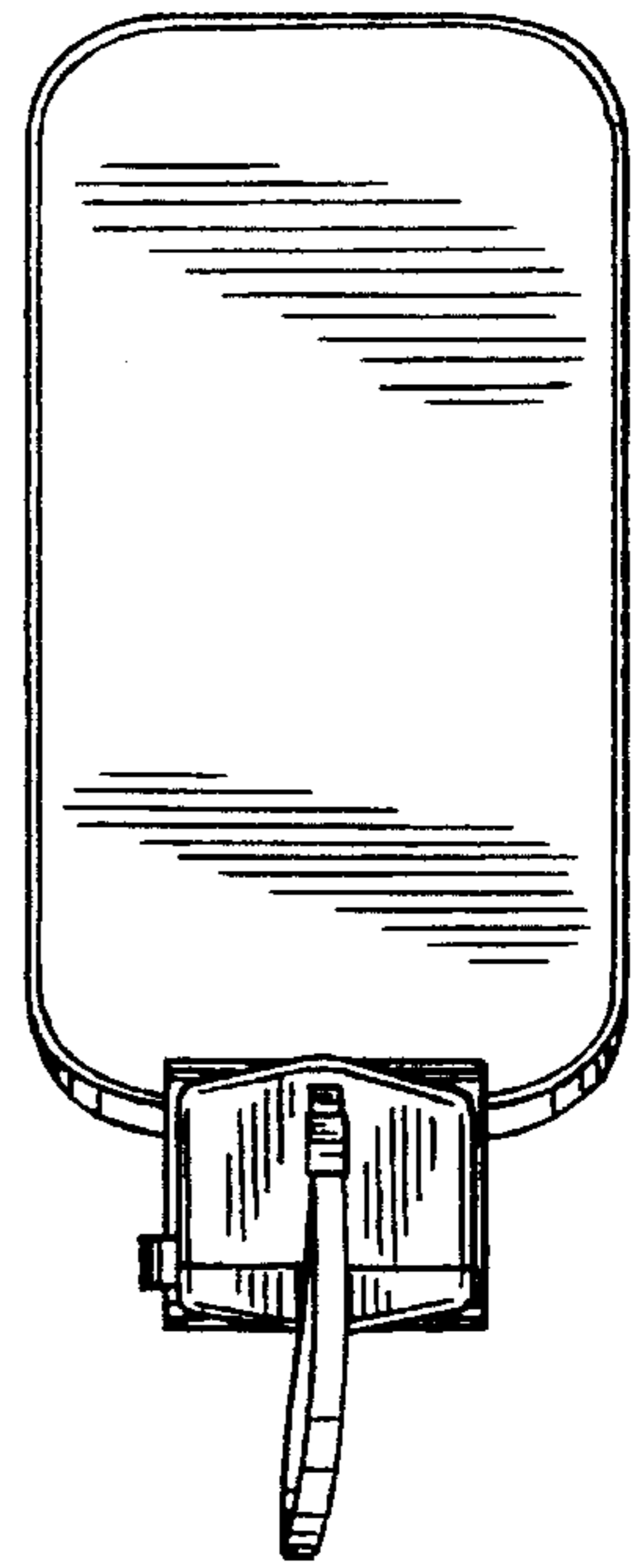


FIG. 2

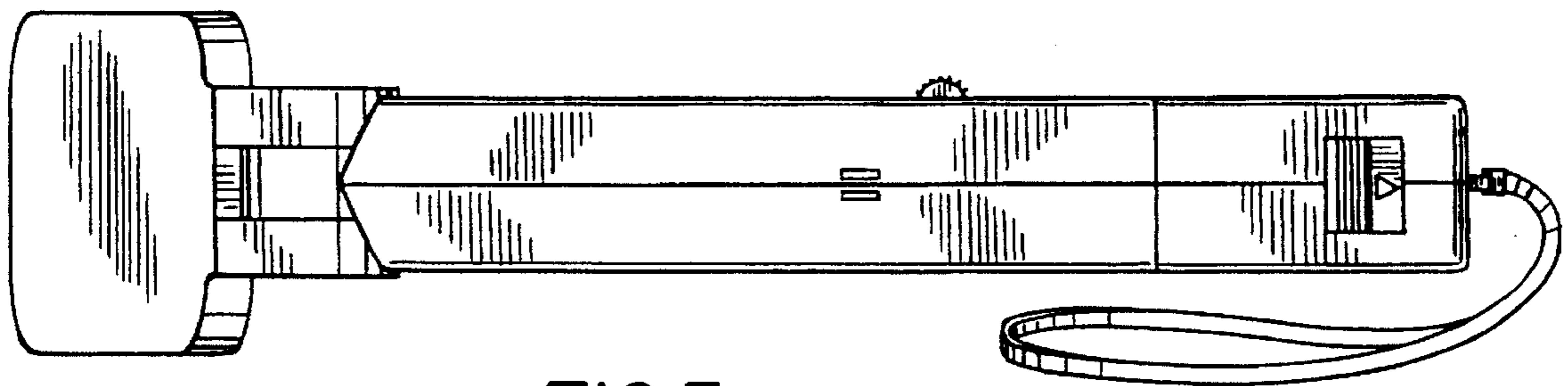


FIG. 3

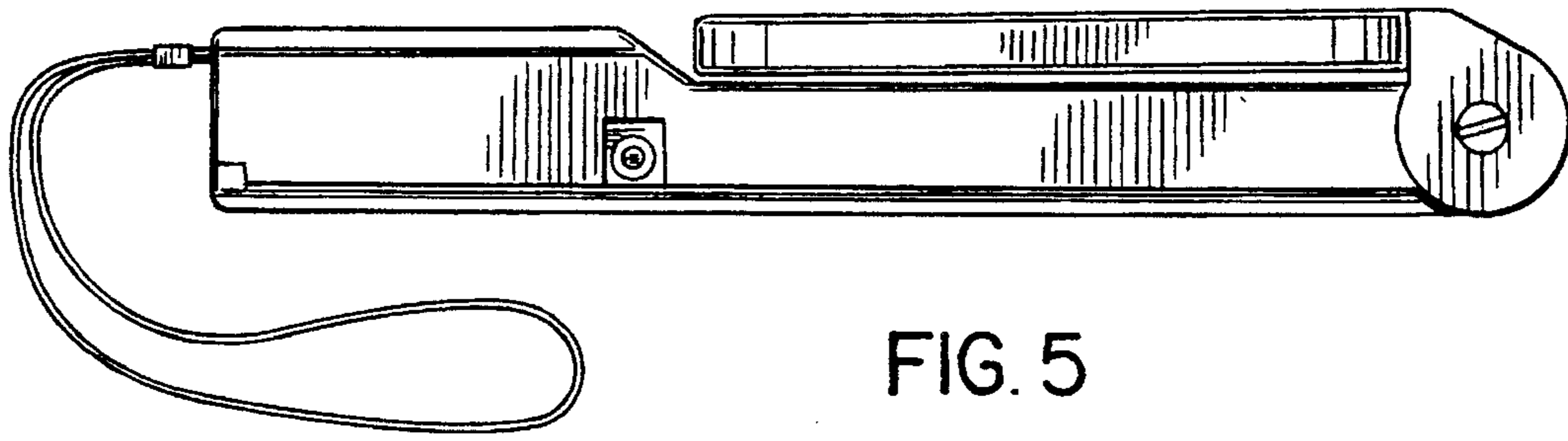


FIG. 5

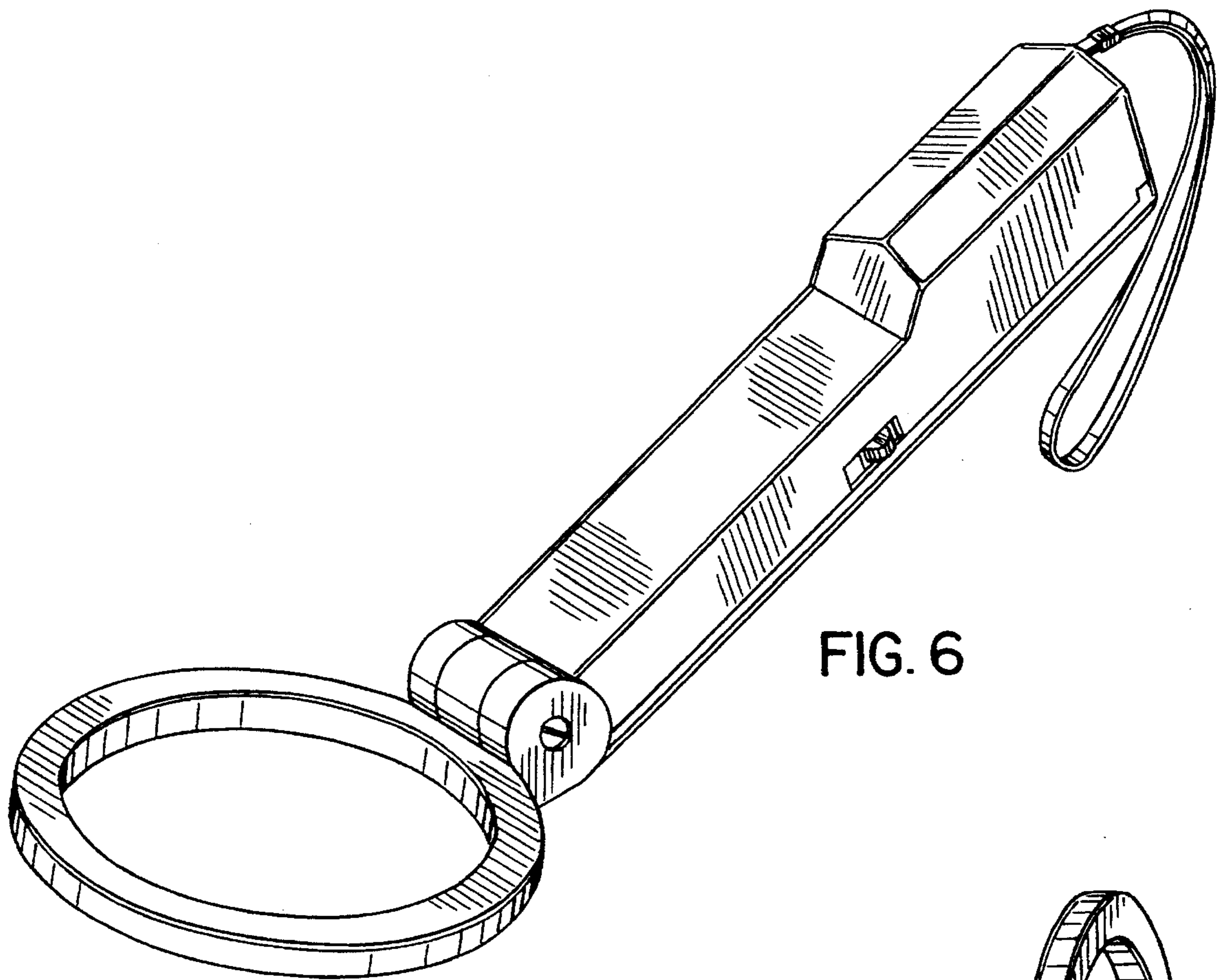


FIG. 6

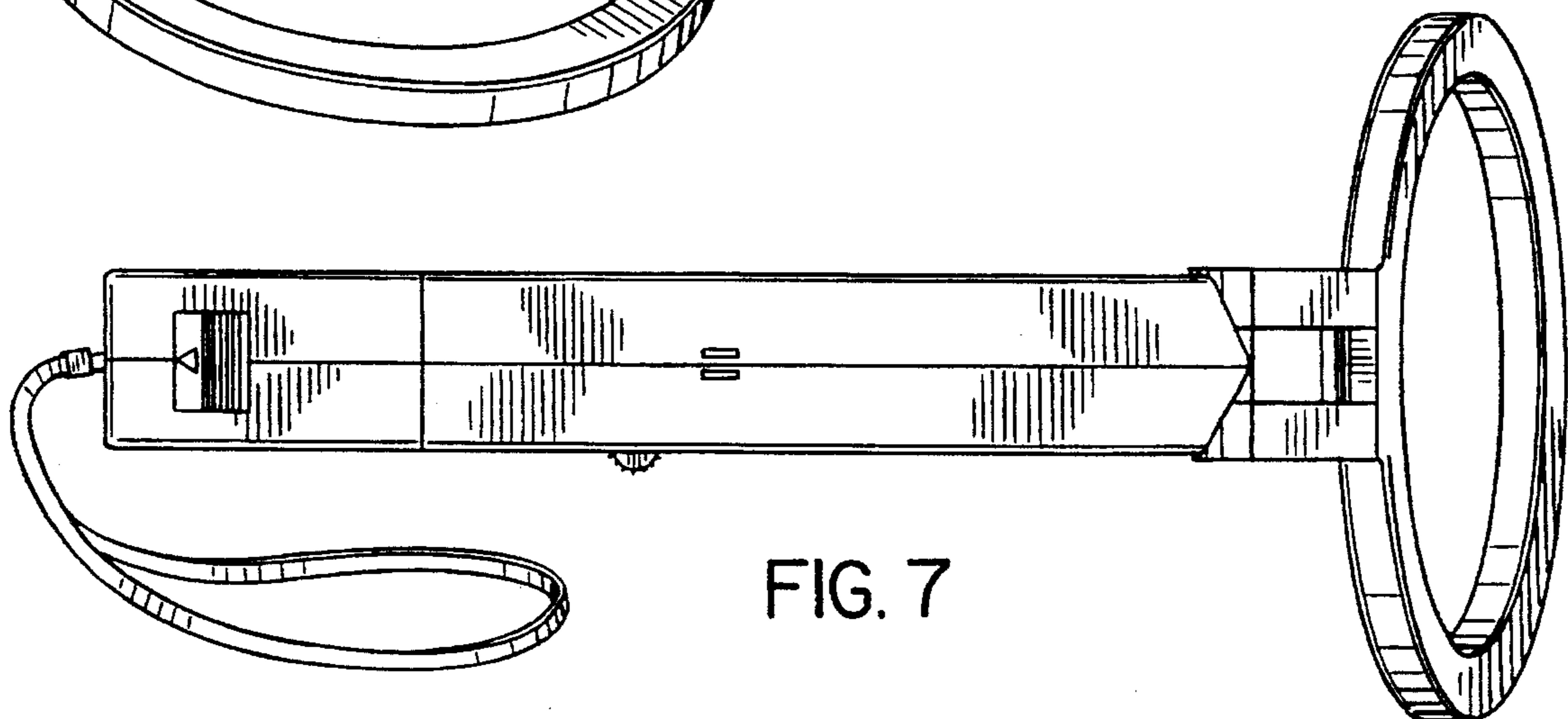


FIG. 7