



US00D374823S

# United States Patent [19]

[11] **Patent Number: Des. 374,823**

**Decker et al.**

[45] **Date of Patent: \*\*Oct. 22, 1996**

[54] **LIQUID DETERGENT BOTTLE**

D. 360,135 7/1995 Balz ..... D9/528 X

[75] Inventors: **James D. Decker; James L. Copeland,**  
both of Apple Valley; **Scott R. Olson,**  
Eagan, all of Minn.

*Primary Examiner*—Lucy Lieberman  
*Attorney, Agent, or Firm*—Merchant, Gould, Smith, Edell,  
Welter & Schmidt P.A.

[73] Assignee: **Ecolab Inc.,** St. Paul, Minn.

[57] **CLAIM**

[\*\*] Term: **14 Years**

The ornamental design for a liquid detergent bottle, as shown and described.

[21] Appl. No.: **48,094**

**DESCRIPTION**

[22] Filed: **Dec. 20, 1995**

[52] **U.S. Cl.** ..... **D9/520; D9/528**

[58] **Field of Search** ..... **D9/528, 527, 520,**  
**D9/523, 543; 215/382, 383, 384, 385, 398;**  
**220/771, 669**

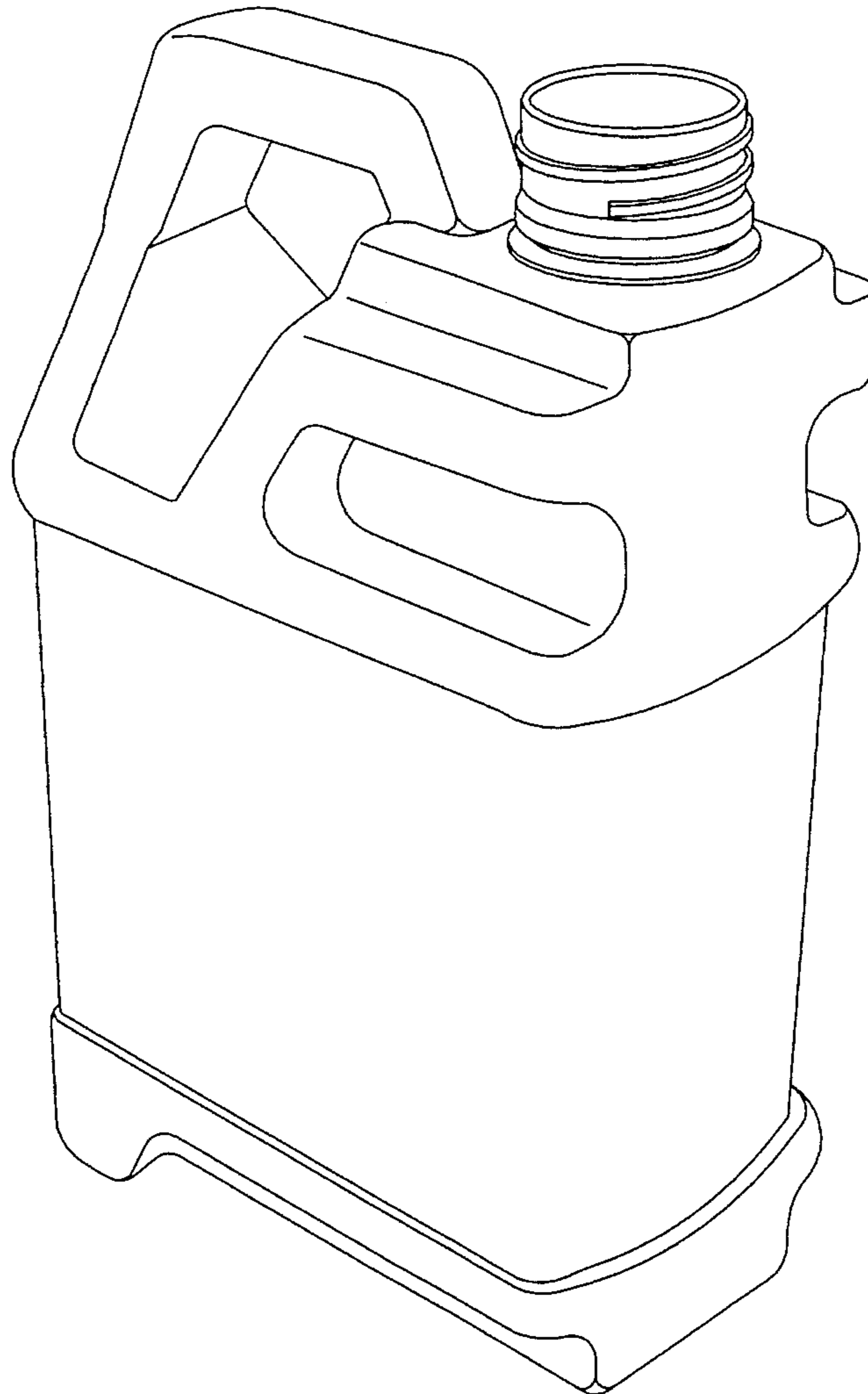
FIG. 1 is a perspective view of the liquid detergent bottle;  
FIG. 2 is a top plan view of the liquid detergent bottle;  
FIG. 3 is a bottom plan view of the liquid detergent bottle;  
FIG. 4 is a side elevational view of the liquid detergent  
bottle;  
FIG. 5 is a front elevational view of the liquid detergent  
bottle;  
FIG. 6 is a side elevational view of the liquid detergent  
bottle, of the side opposite from that shown in FIG. 4; and,  
FIG. 7 is a rear elevational view of the liquid detergent  
bottle.

[56] **References Cited**

**U.S. PATENT DOCUMENTS**

D. 228,230	8/1973	Cutler	.....	D9/528
D. 230,708	3/1974	Hutter	.....	D9/528
D. 237,255	10/1975	Plummer	.....	D9/528
D. 248,829	8/1978	Anderson	.....	D9/528 X
D. 302,523	8/1989	Suhajda	.....	D9/528

**1 Claim, 4 Drawing Sheets**



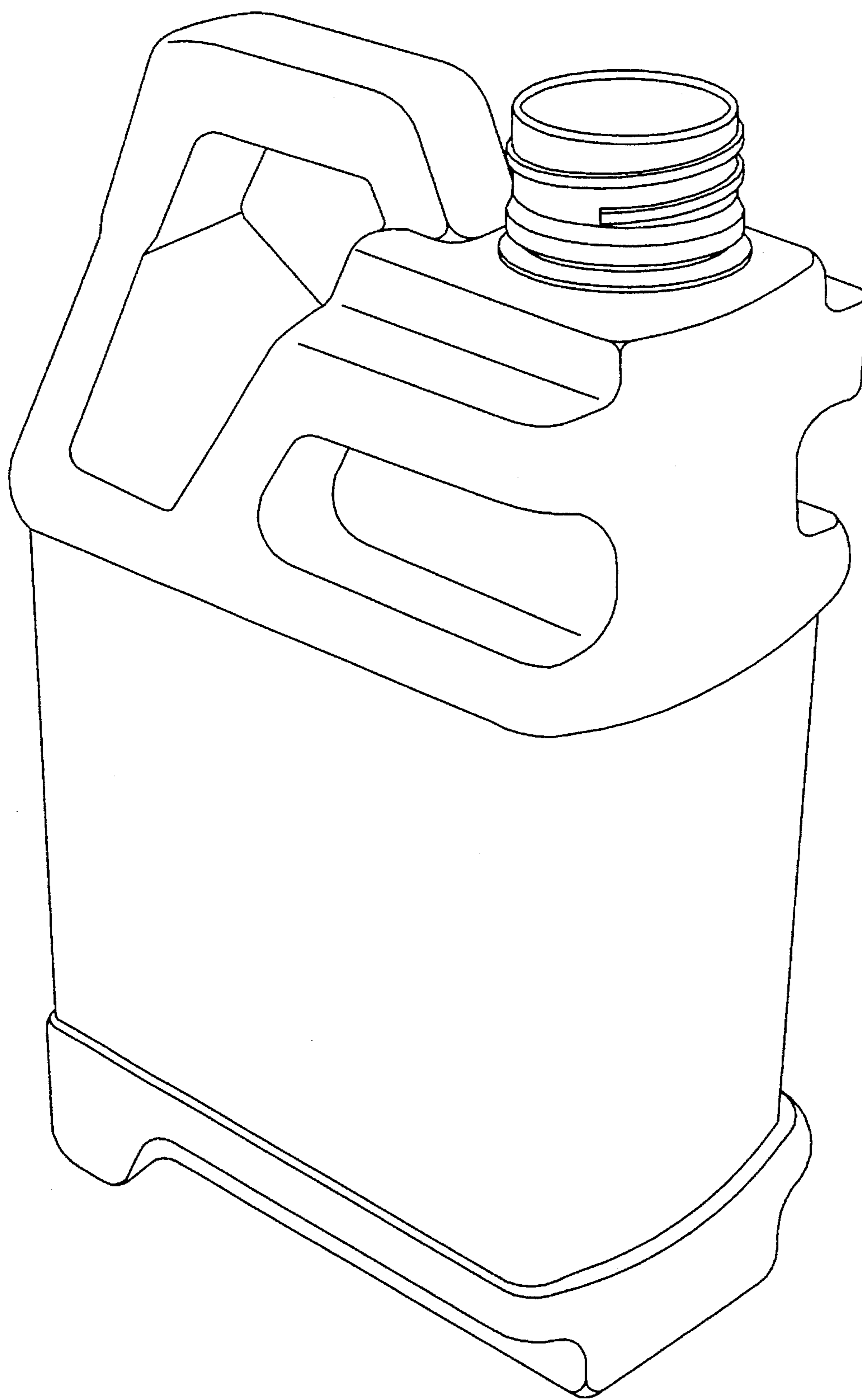


FIG. 1

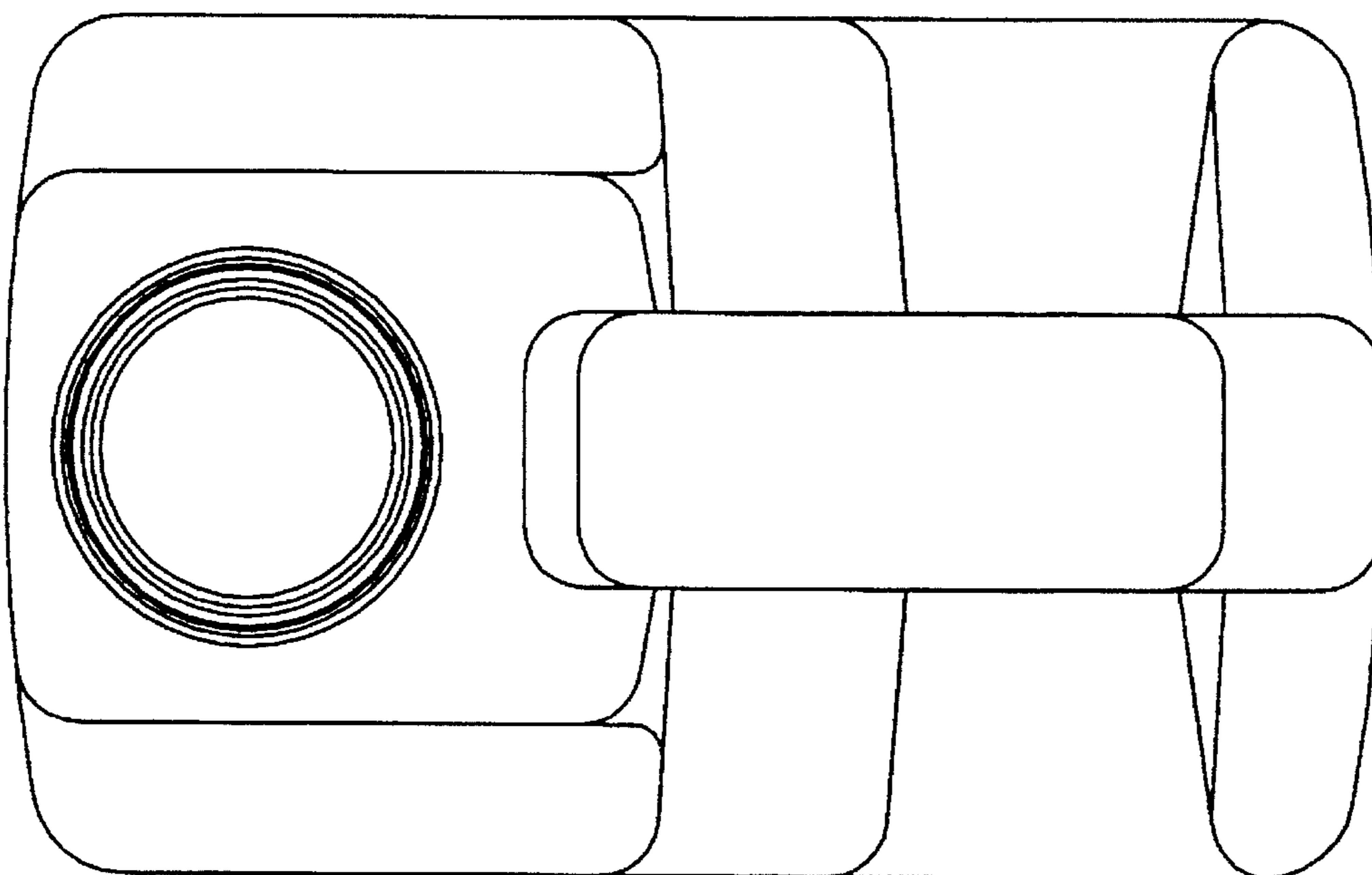


FIG. 2

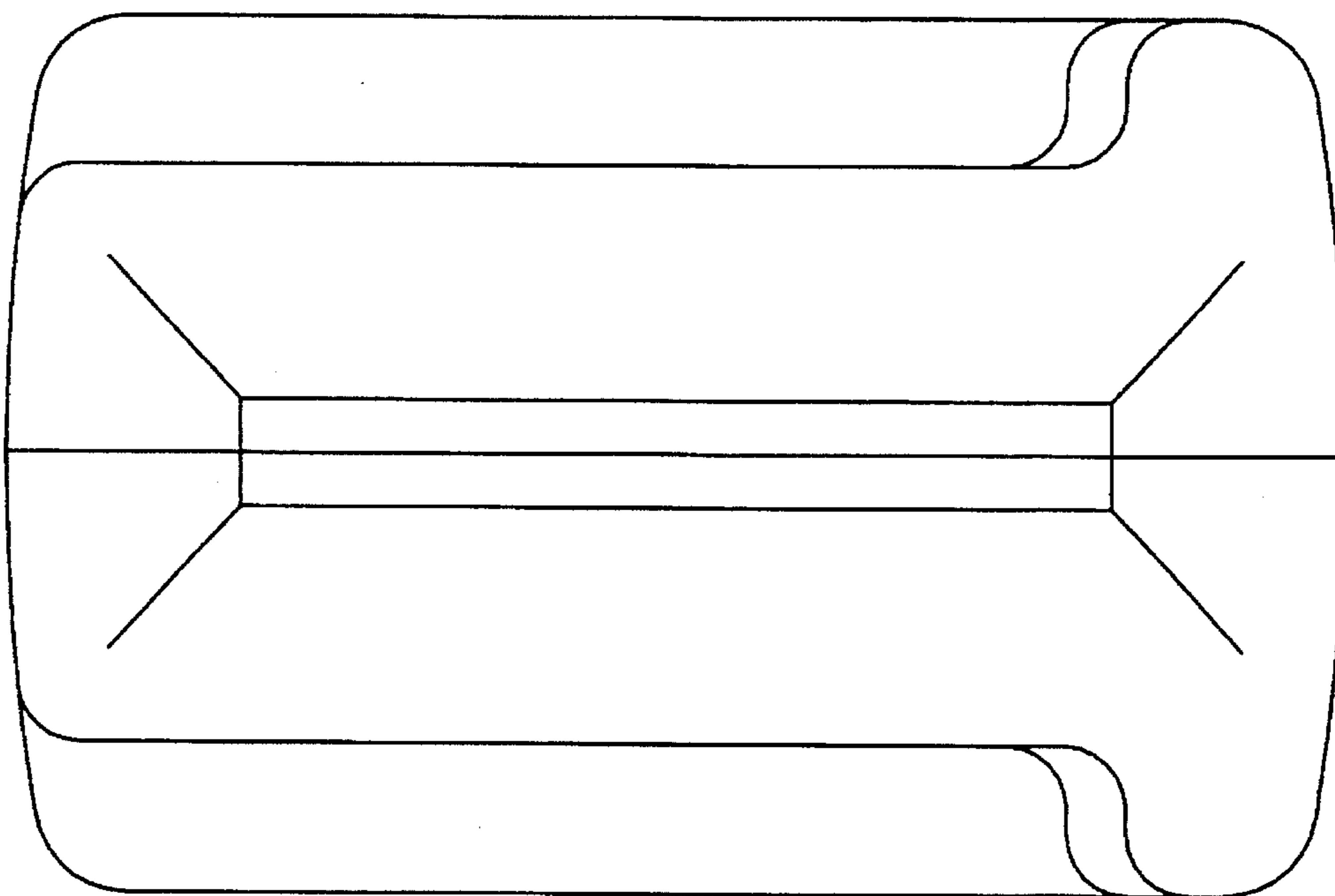


FIG. 3

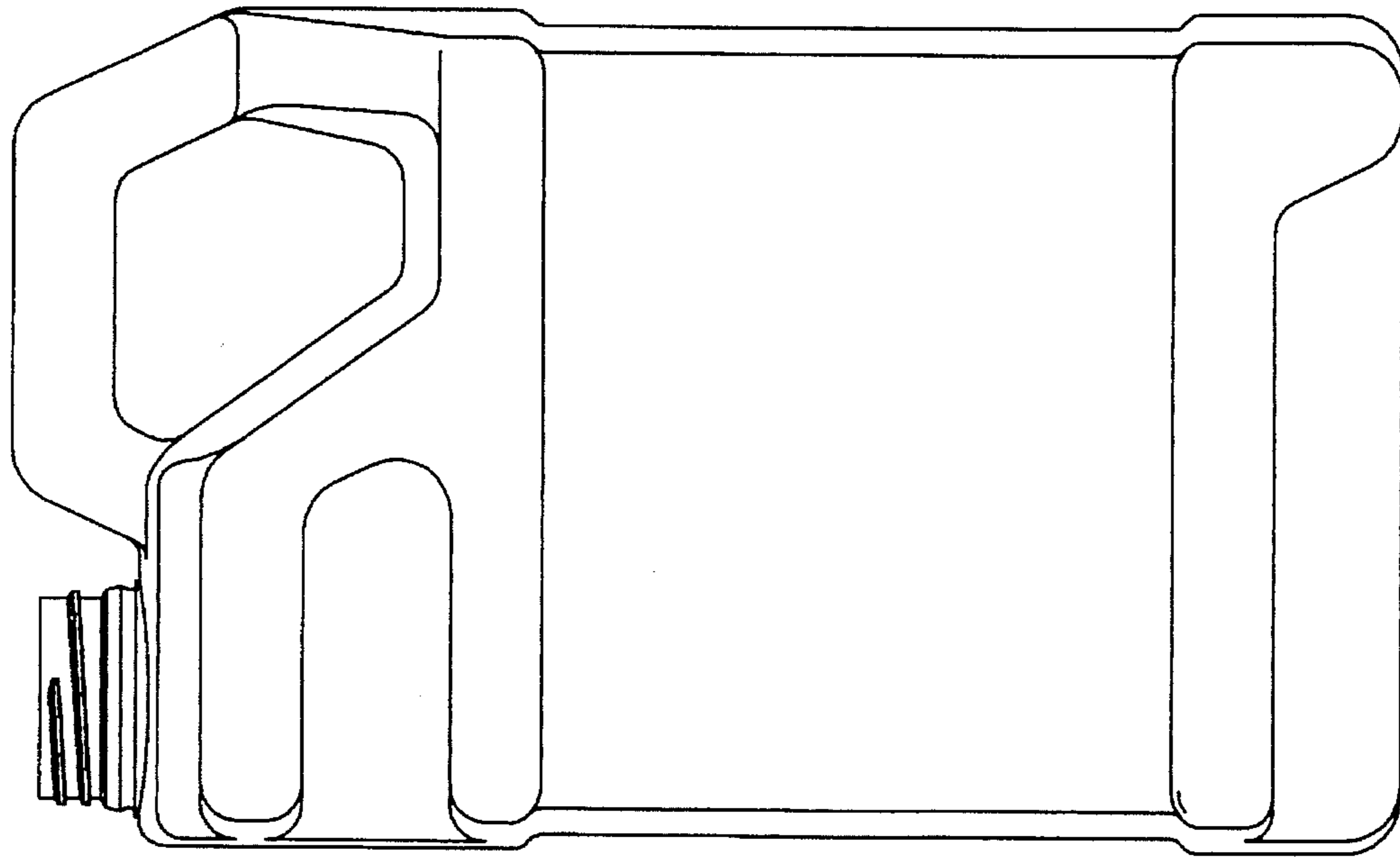


FIG. 5

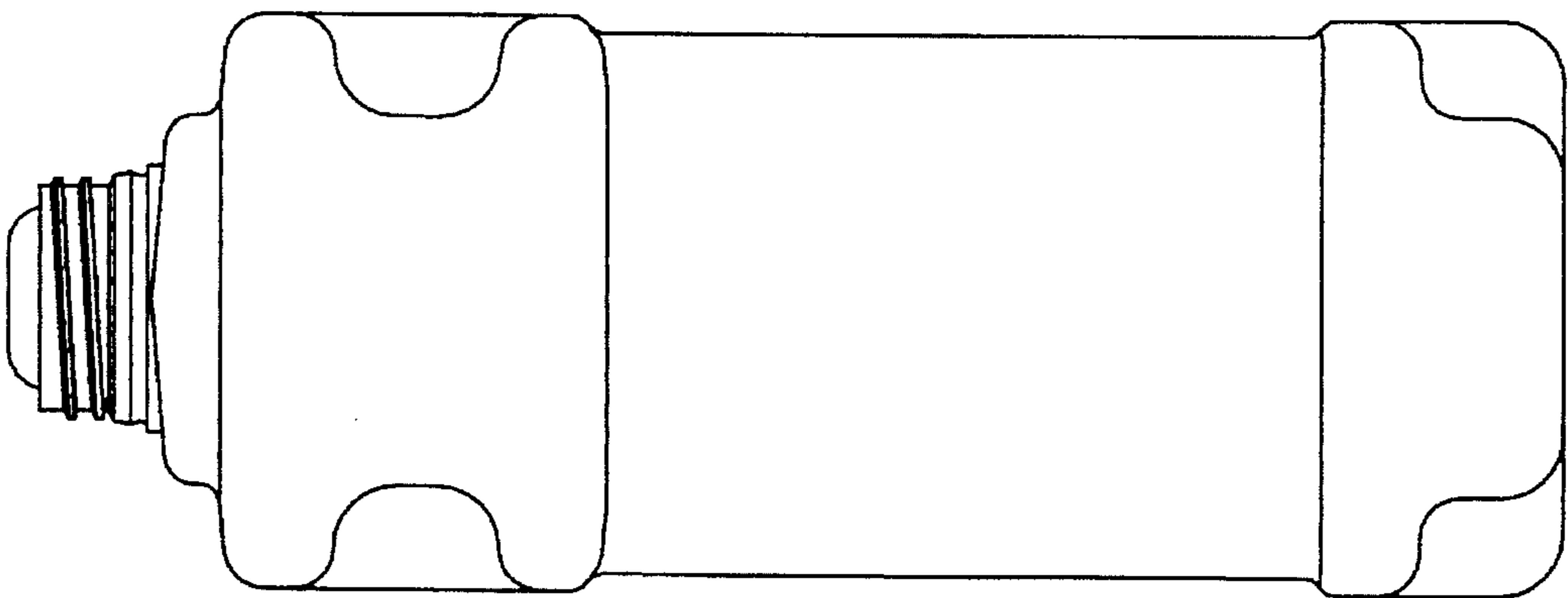


FIG. 4

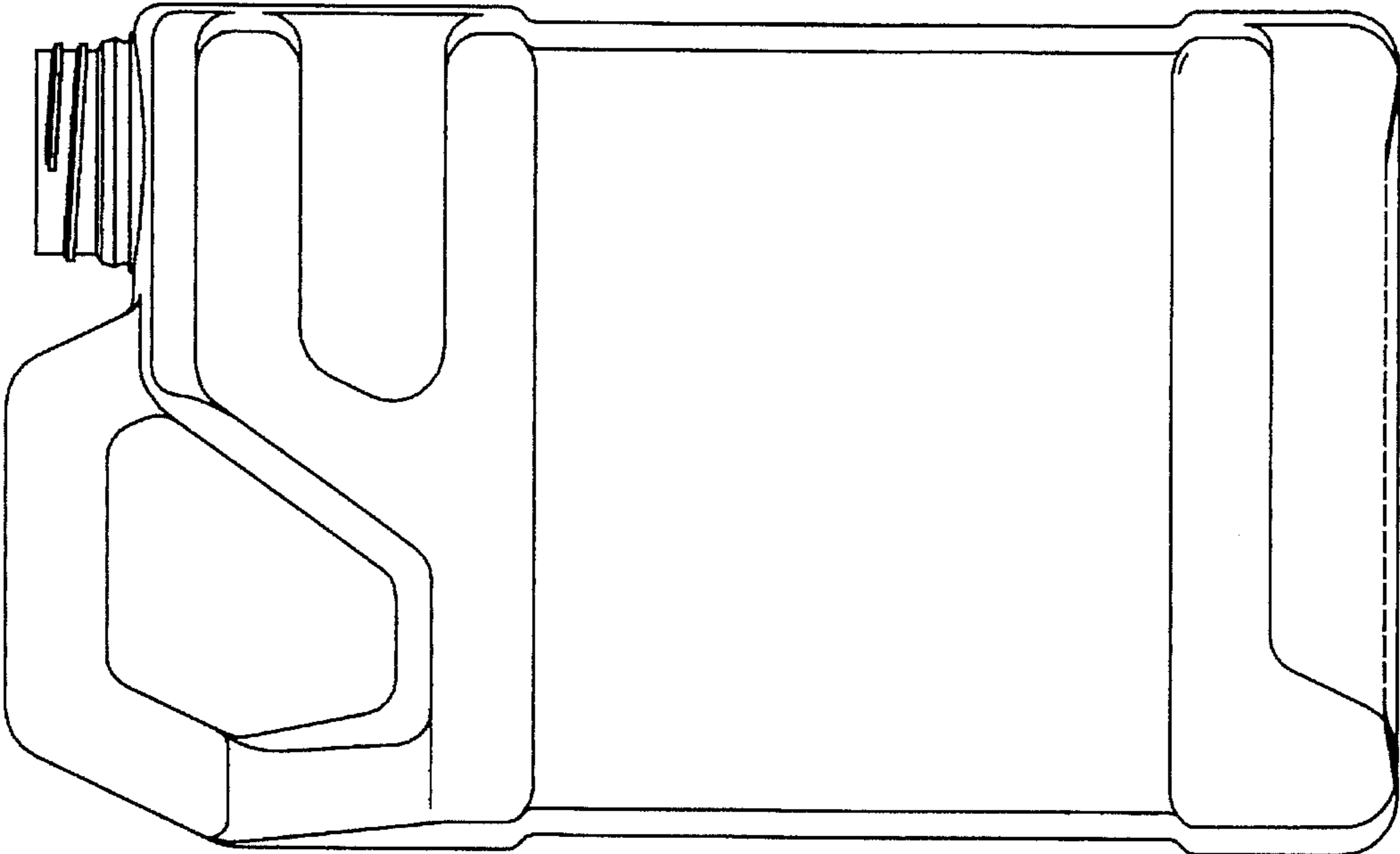


FIG. 7

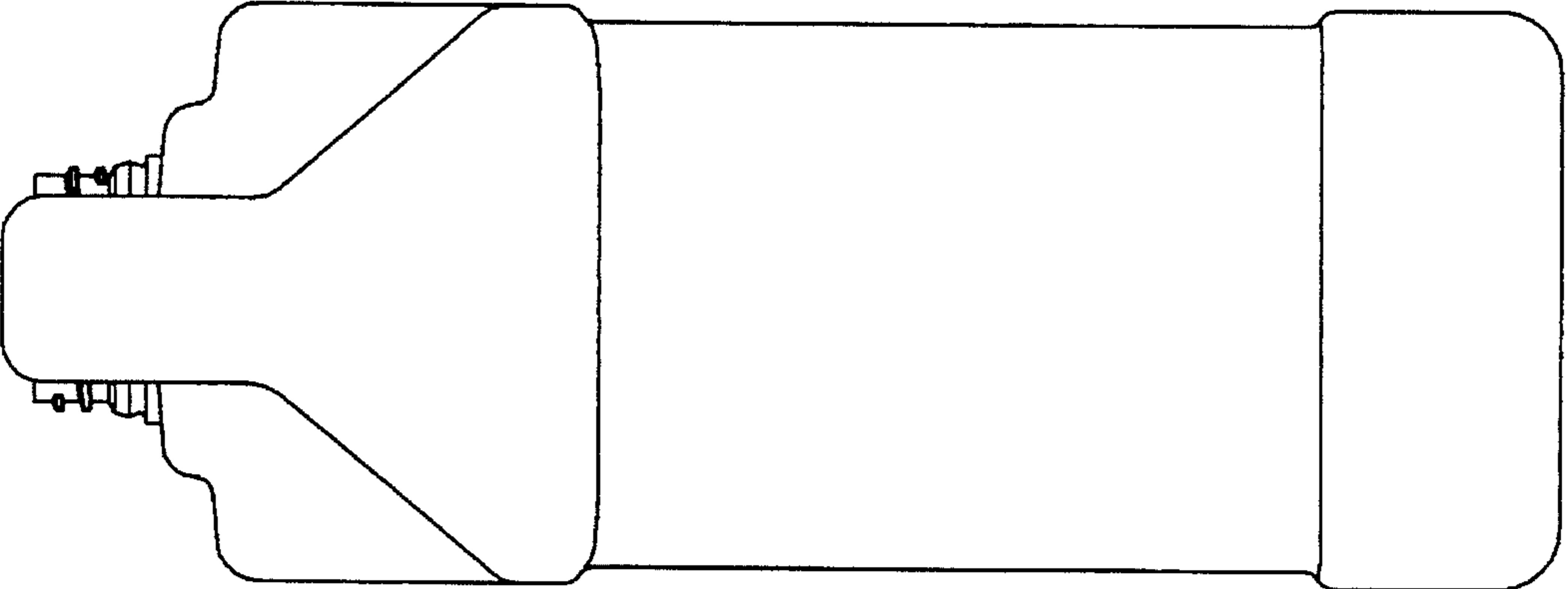


FIG. 6