



US00D374822S

United States Patent [19]

Philips

[11] Patent Number: **Des. 374,822**

[45] Date of Patent: ****Oct. 22, 1996**

[54] CONTAINER CLOSURE

4,524,882 6/1985 Buc 220/307 X
5,294,015 3/1994 Landis D9/306

[75] Inventor: **Terry M. Philips**, Willoughby, Ohio

[73] Assignee: **Bennett Industries, Inc.**, Peotone, Ill.

[**] Term: **14 Years**

Primary Examiner—Jeffrey Asch
Attorney, Agent, or Firm—D. Peter Hochberg; Mark Kusner;
Michael Jaffe

[21] Appl. No.: **35,797**

[22] Filed: **Mar. 7, 1995**

[52] U.S. Cl. **D9/453; D9/454; D7/392.1**

[58] Field of Search D9/453, 454, 452,
D9/434, 435, 445; D7/392.1, 391, 392,
510, 511, 538–542; 220/306–308, 355,
254, 710, 270, 269; 215/307, 255, 387,
355, 354

[57] CLAIM

The ornamental design for a container closure, as shown and described.

DESCRIPTION

FIG. 1 is a top perspective view of a container closure embodying my new design;
FIG. 2 is a top view of the container closure shown in FIG. 1;
FIG. 3 is a side view of the container closure shown in FIG. 1;
FIG. 4 is a bottom view of the container closure shown in FIG. 1;
FIG. 5 is an enlarged partial side view of the container closure shown in FIG. 1, showing an elongated slot and a faceted outer wall;
FIG. 6 is an enlarged, partial cross sectional view taken through lines 6—6 of FIG. 5;
FIG. 7 is a partial side view of a slot on the outer perimeter of a closure according to a second embodiment of the invention;
FIG. 8 is a partial bottom plan view of the closure of FIG. 7; and,
FIG. 9 is a cross-sectional view taken in the direction of arrows 9—9 in FIG. 7.
The second embodiment is the same in appearance as the first embodiment except for the differences shown in FIGS. 7–9.

[56] References Cited

U.S. PATENT DOCUMENTS

D. 201,320	6/1965	Hirohama	D9/453
D. 207,356	4/1967	McCormick	D9/439
D. 222,905	2/1972	Kinney	D9/439
D. 248,216	6/1978	Allen et al.	D9/503
D. 262,193	12/1981	Fowkes	D9/447
D. 312,400	11/1990	Schwaikert	D9/503 X
D. 339,027	9/1993	Mack et al.	D7/392.1
D. 350,068	8/1994	Schwartzberg	D9/503 X
1,629,441	5/1927	Geary	220/306
2,086,188	7/1937	Punte	220/355
3,216,148	11/1965	Amberg	215/307 X
3,362,565	1/1968	McCormick	D9/439 X
3,474,928	10/1969	Hurt	220/60
3,515,306	6/1970	Roper et al.	220/60
3,519,163	7/1970	Bardell	220/60
3,532,244	10/1970	Yates, Jr.	215/41
3,770,156	11/1973	Yates, Jr.	215/41
3,809,284	5/1974	Churan	220/306 X
4,014,459	3/1977	Robinson	220/306 X

1 Claim, 4 Drawing Sheets

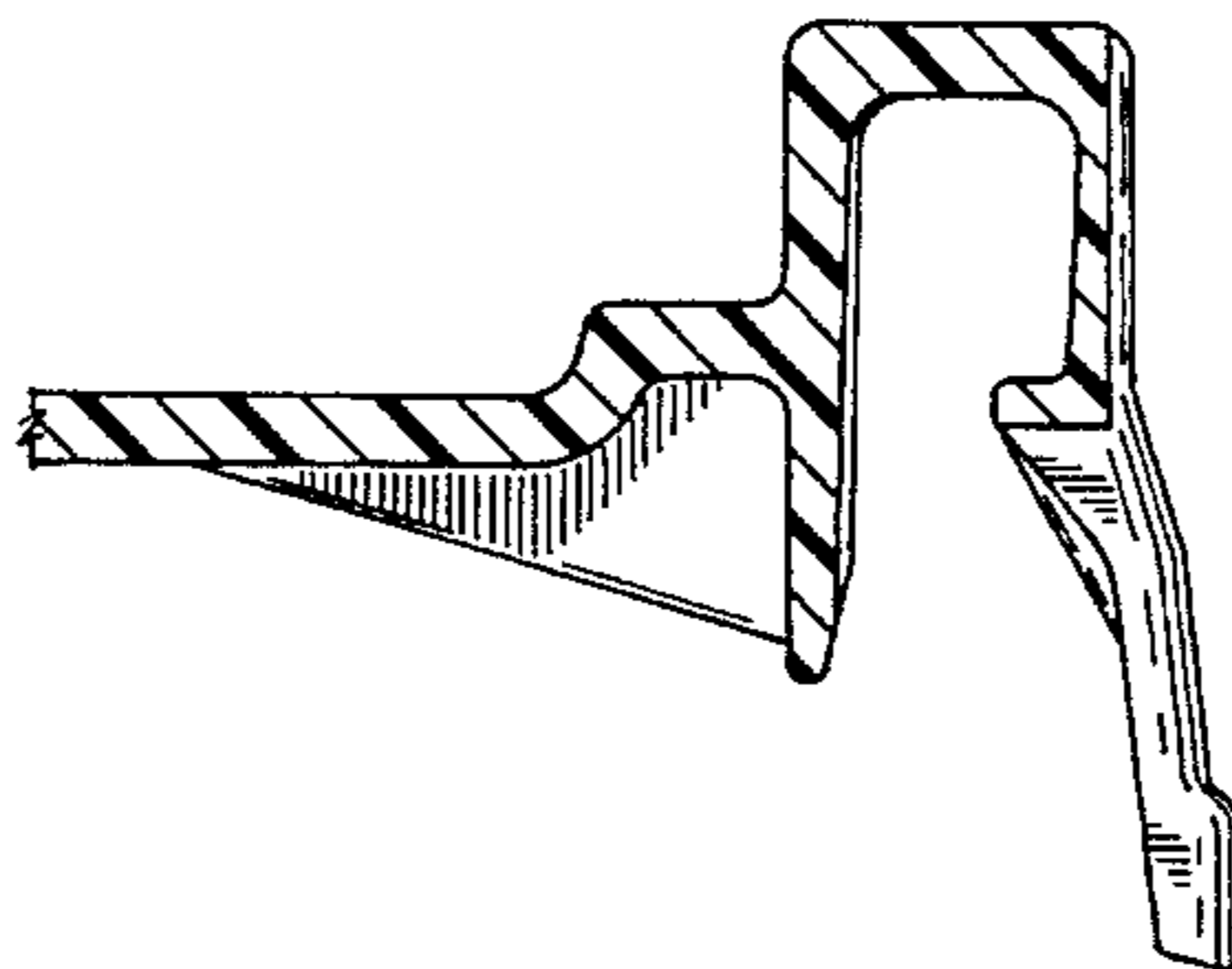
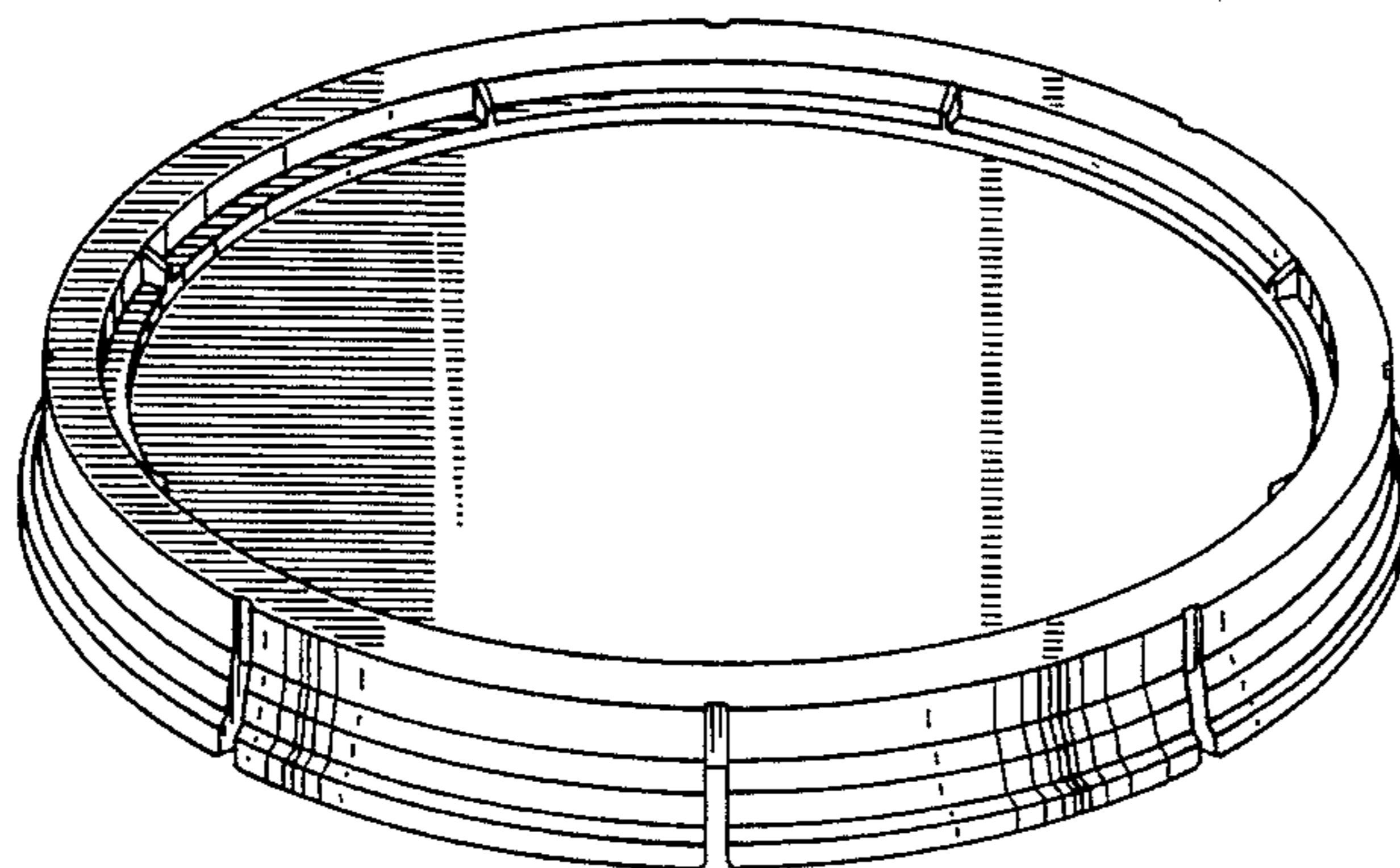


FIG. 1

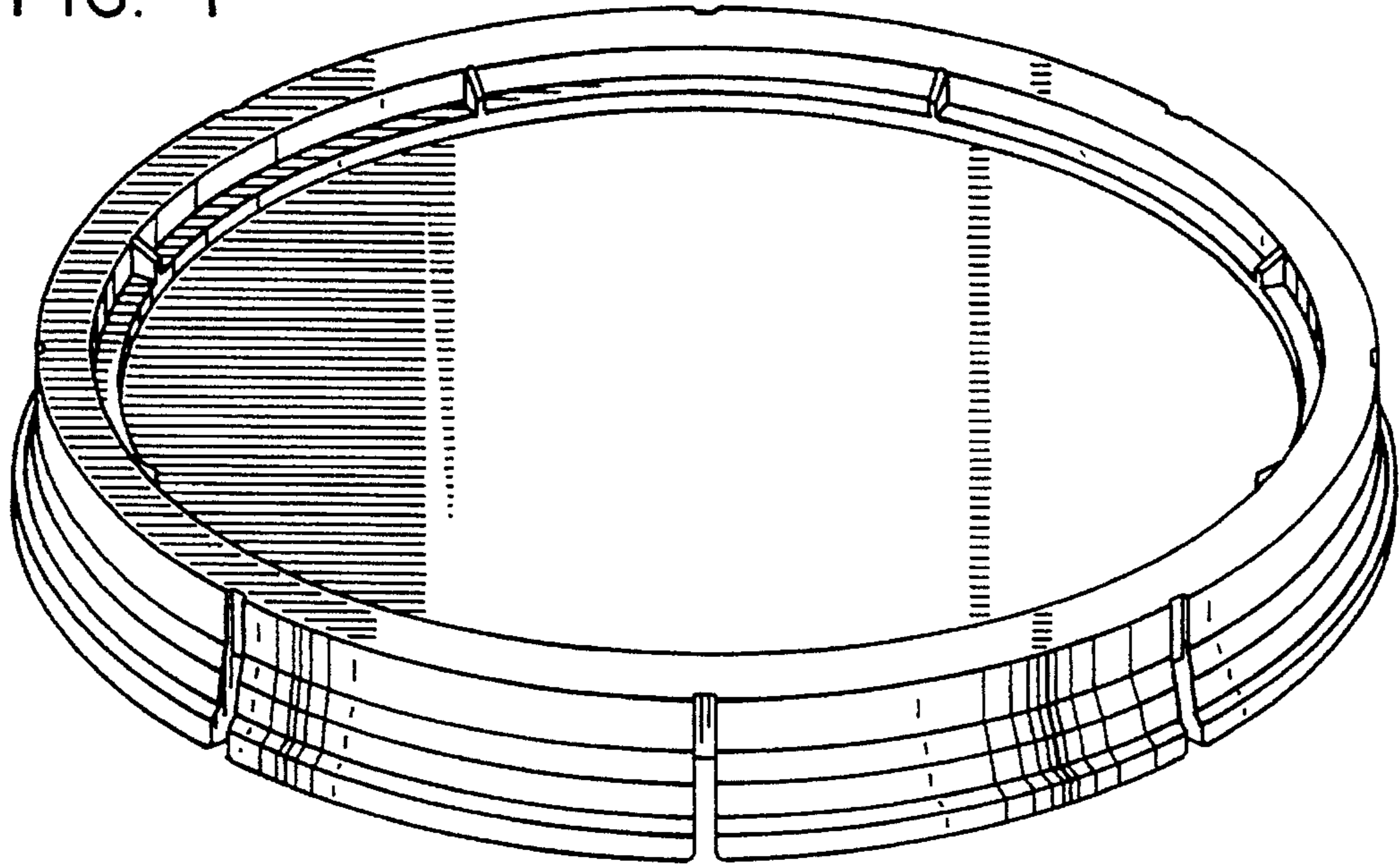


FIG. 2

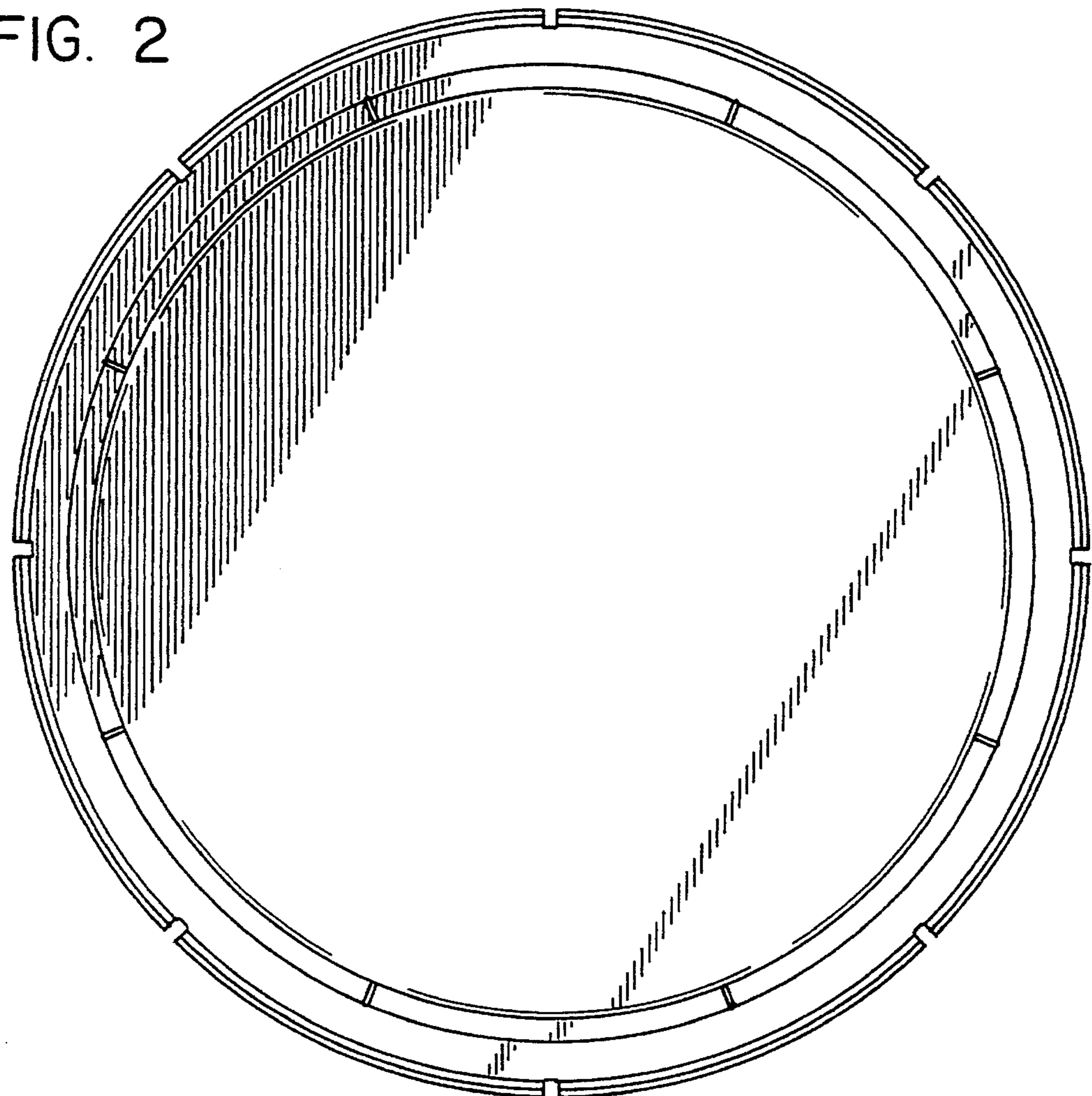


FIG. 3

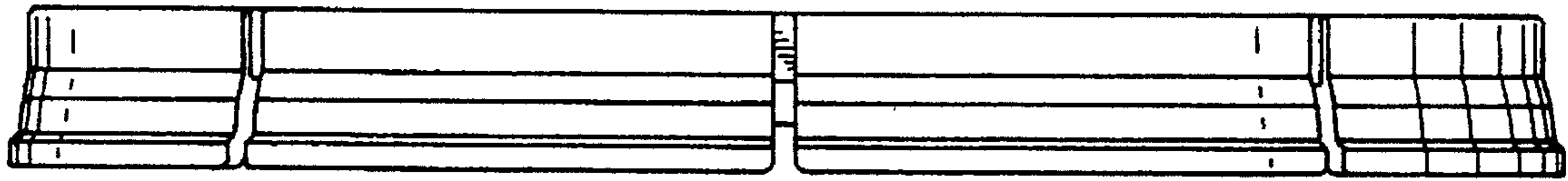


FIG. 4

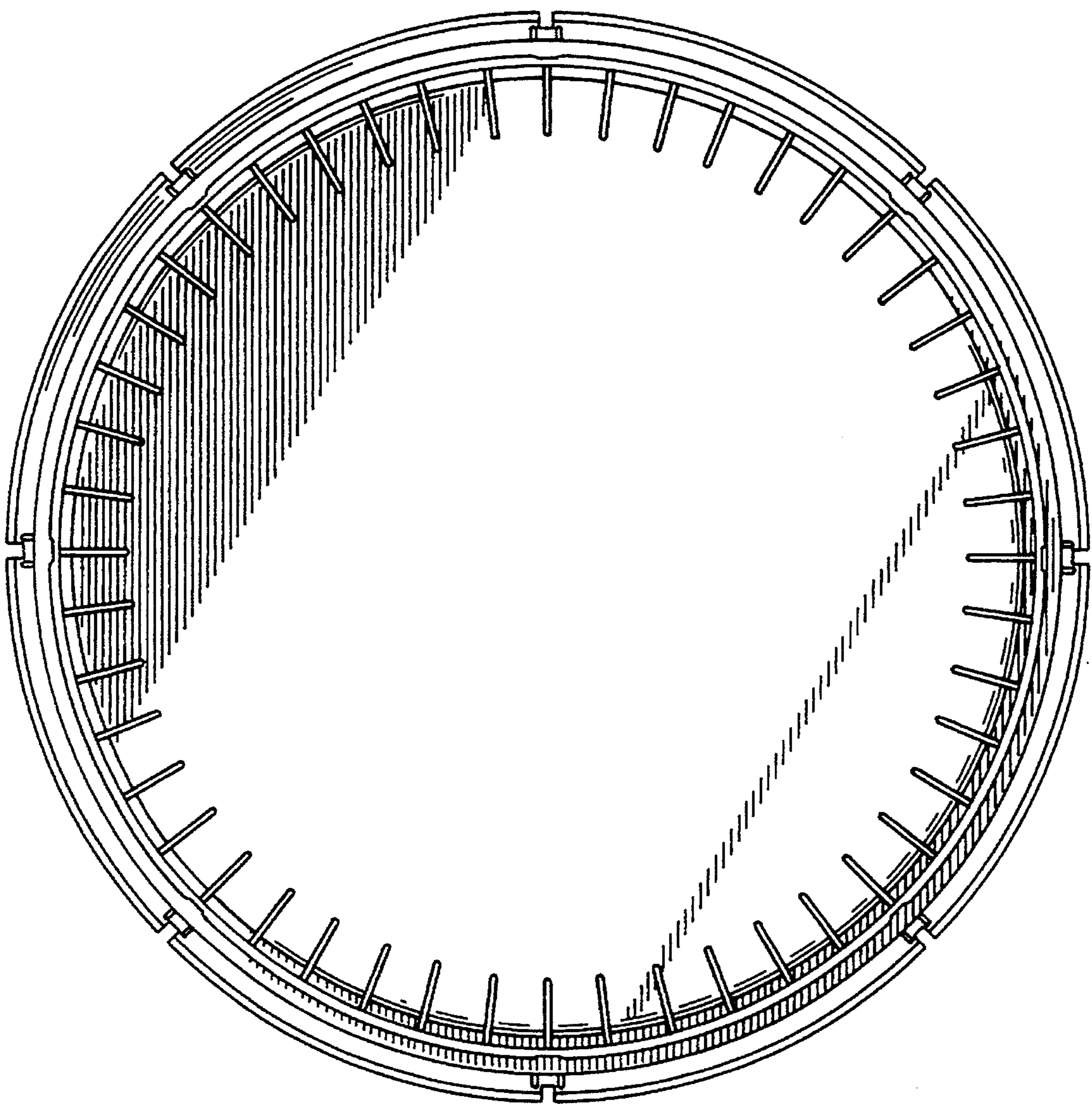


FIG. 5

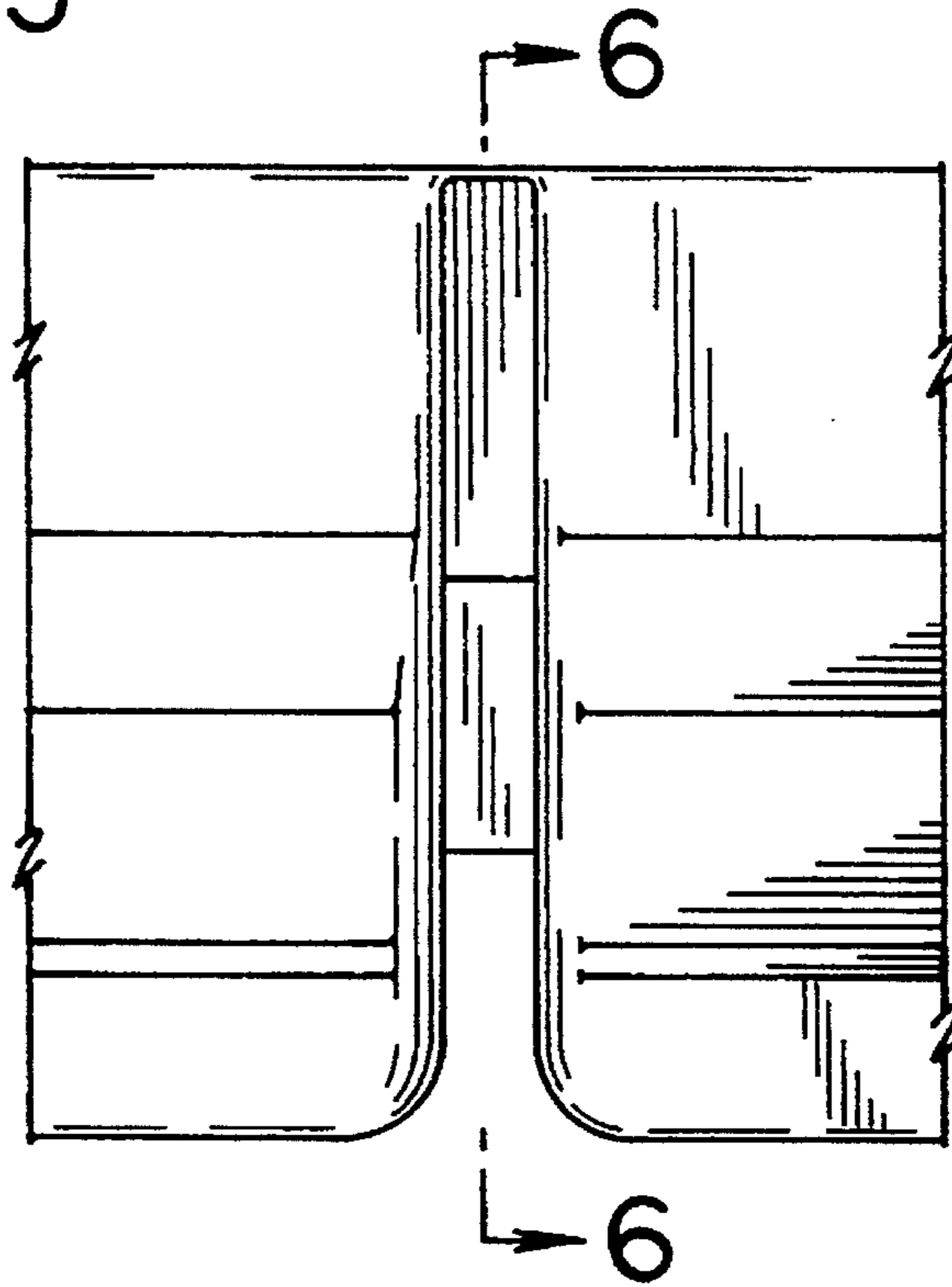


FIG. 6

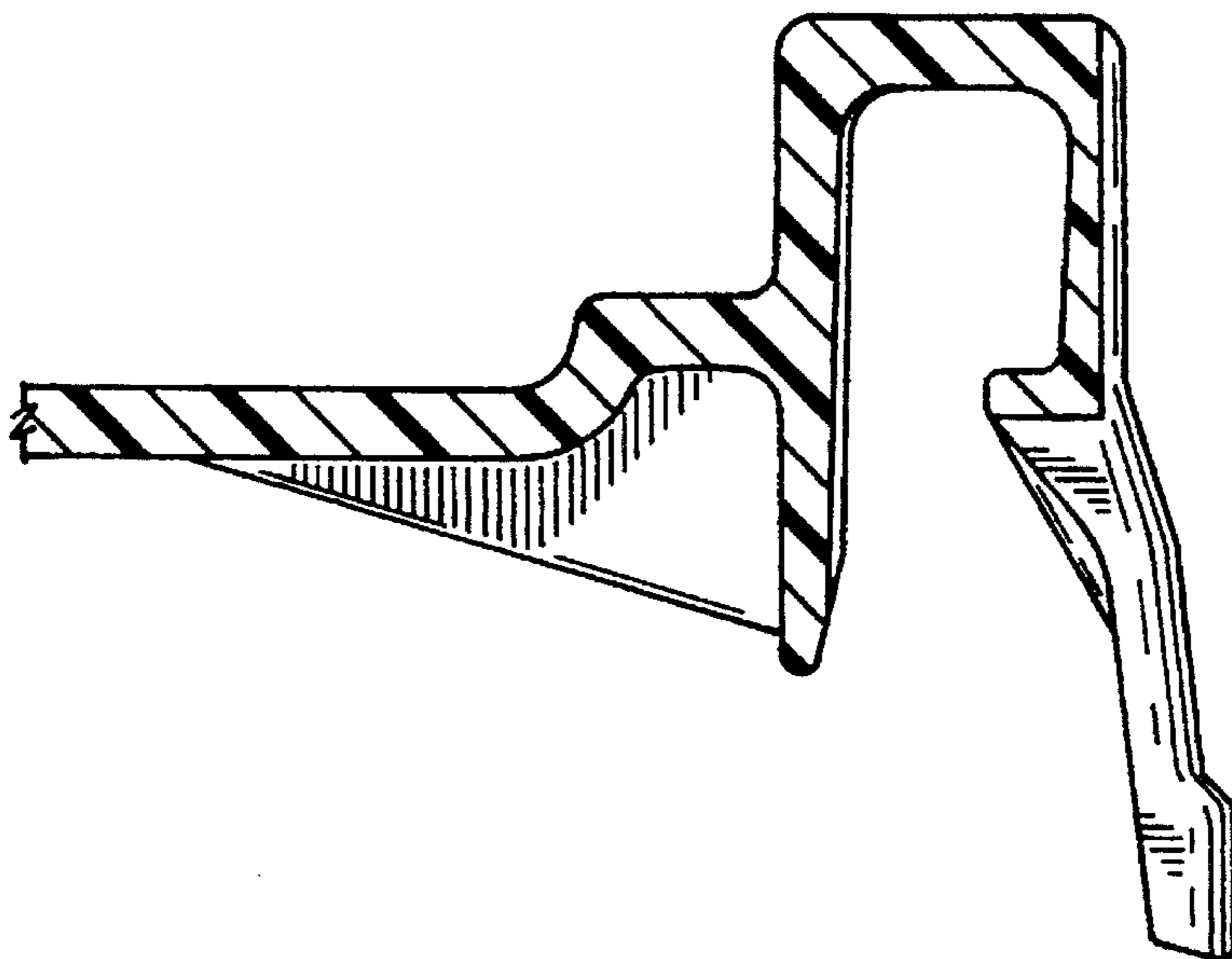


FIG. 7

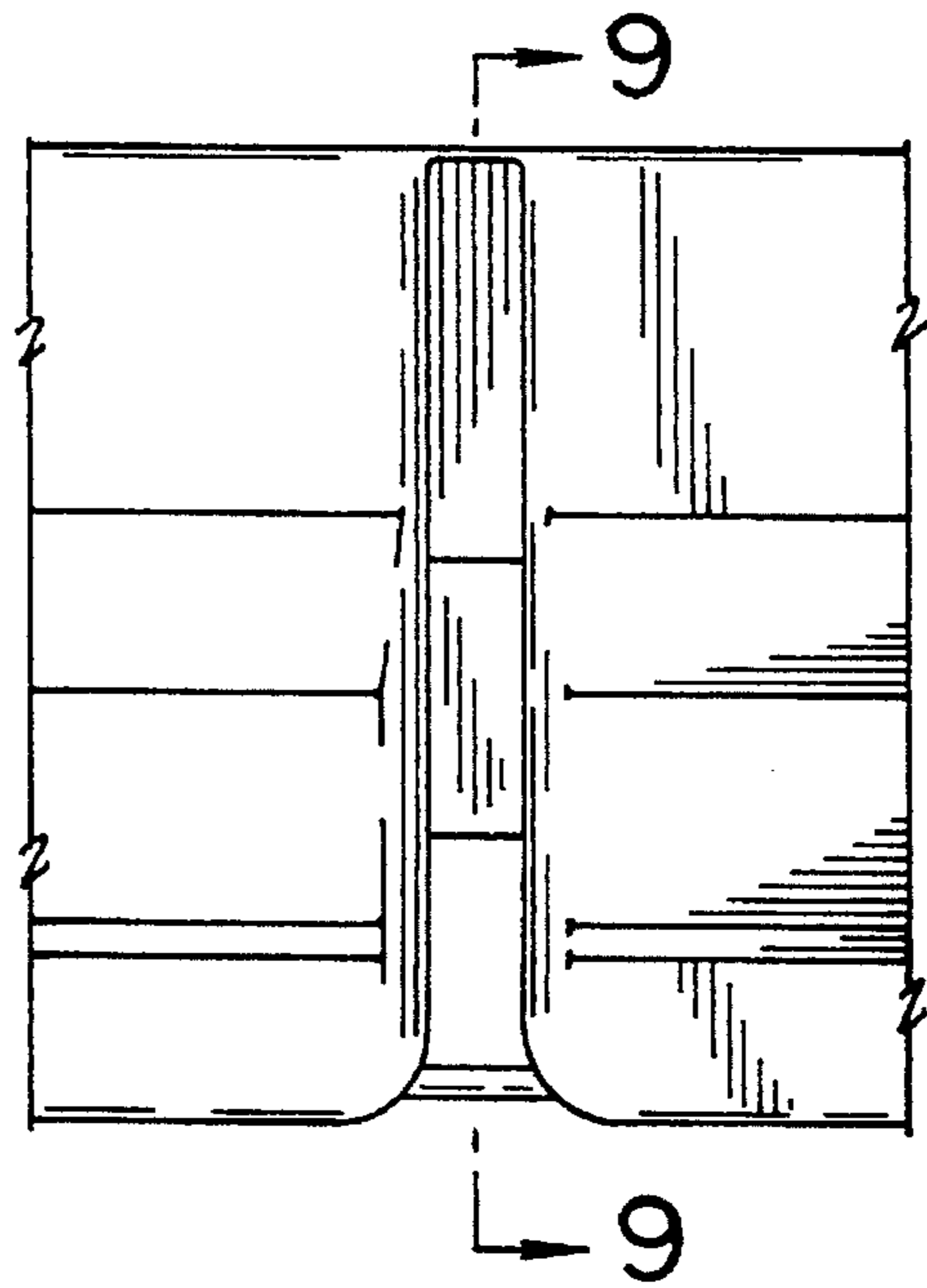


FIG. 8

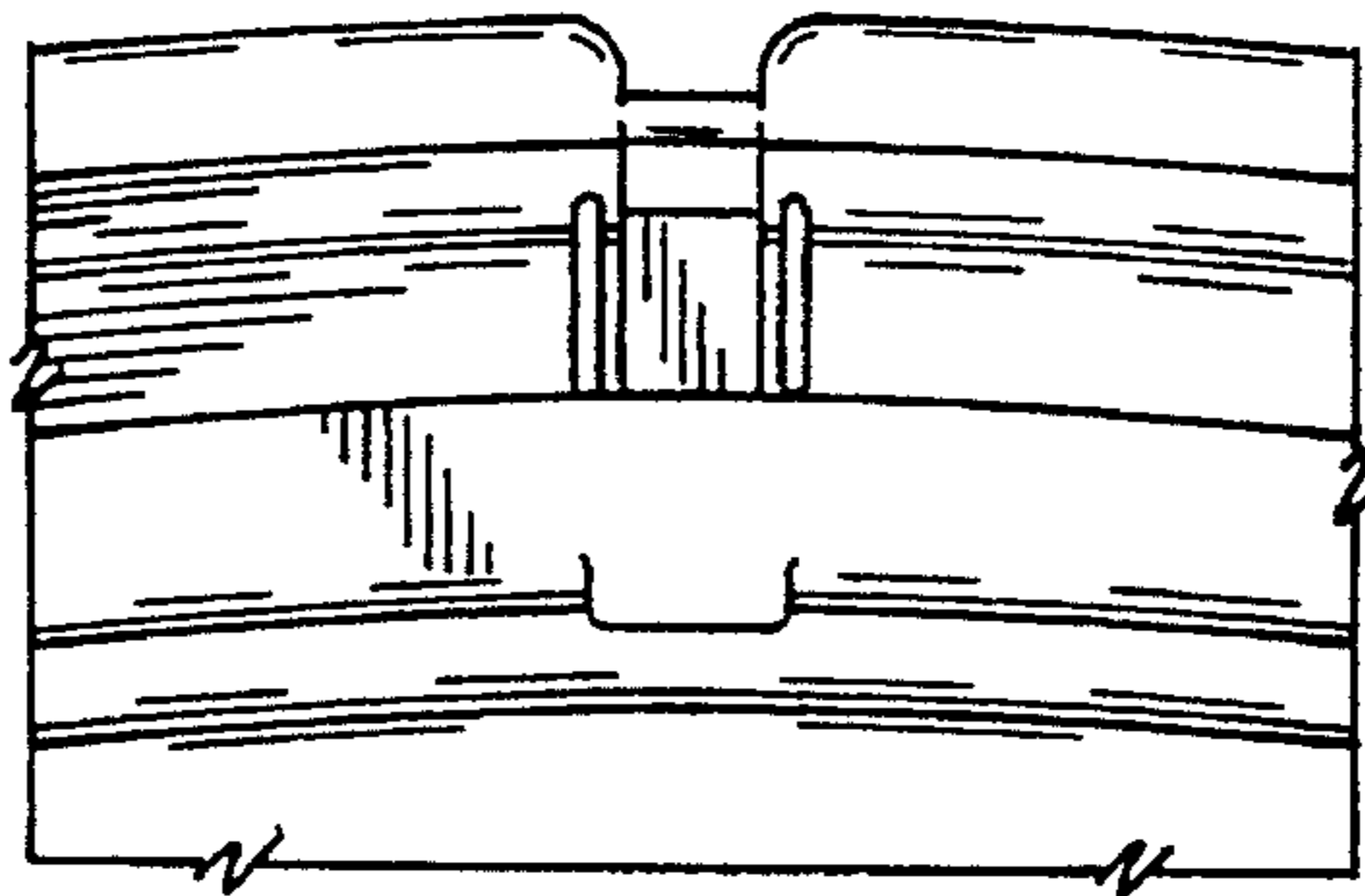


FIG. 9

