



US00D374816S

United States Patent [19]

Tsai

[11] Patent Number: **Des. 374,816**

[45] Date of Patent: ****Oct. 22, 1996**

[54] **CASTER SEAT OF A CART**

4,995,487 2/1991 Plath 190/18 A
5,498,010 3/1996 Stube 190/18 A

[76] Inventor: **Cheng-Hsien Tsai**, No. 103, Da-Ming
1st Rd., Tien-Tzu Hsiang, Taichung
Hsien, Taiwan

Primary Examiner—Holly H. Baynham
Attorney, Agent, or Firm—Bacon & Thomas

[**] Term: **14 Years**

[57] CLAIM

[21] Appl. No.: **43,971**

The ornamental design for a caster seat of a cart, as shown and described.

[22] Filed: **Sep. 14, 1995**

DESCRIPTION

[52] U.S. Cl. **D8/375**

[58] Field of Search D8/375; 16/18 A,
16/18 R, 18 CG, 45, 47; 190/18 A

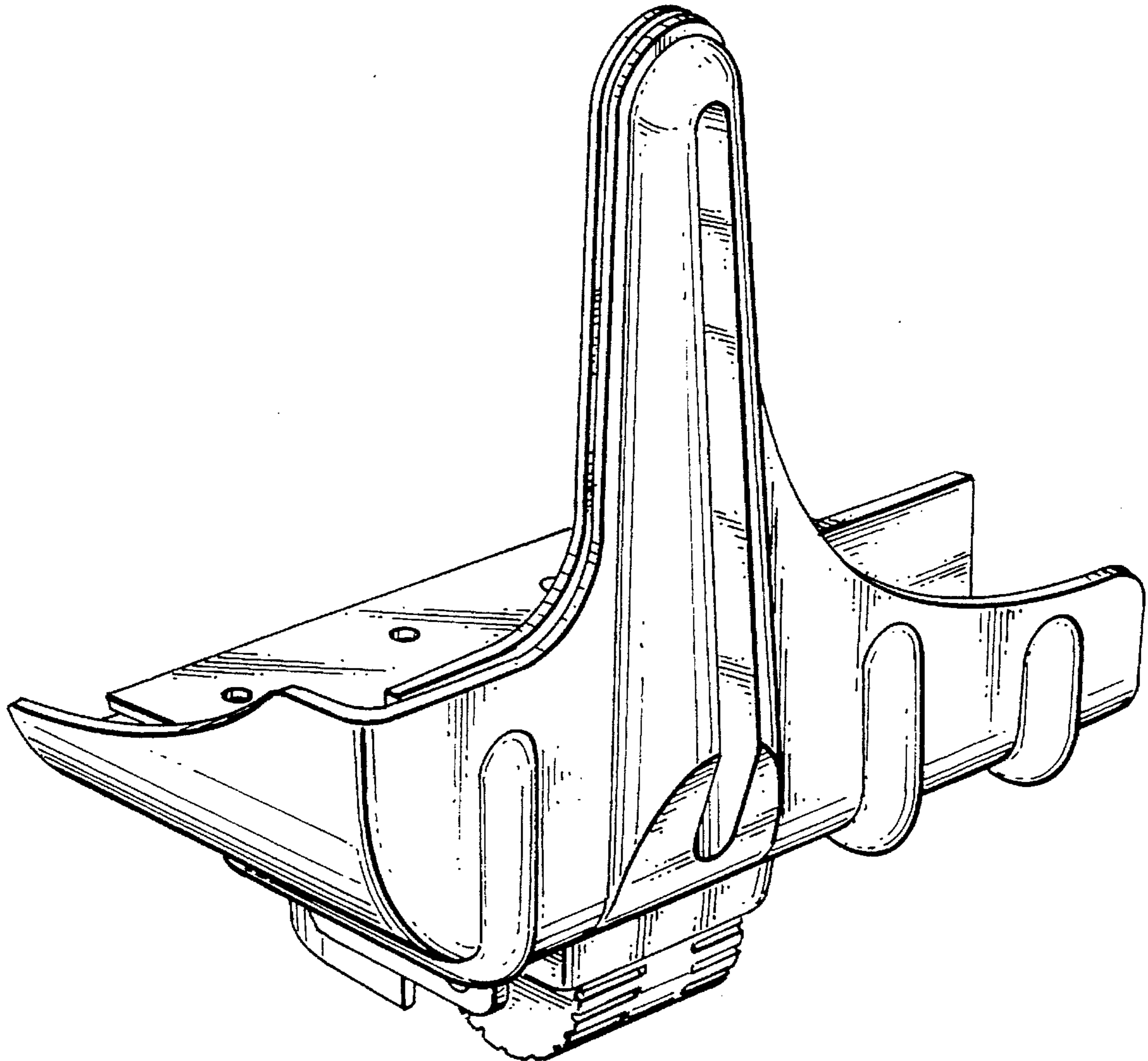
FIG. 1 is a perspective view of a caster seat of a cart showing my new design;
FIG. 2 is a front elevational view thereof;
FIG. 3 is a rear elevational view thereof;
FIG. 4 is a left side elevational view thereof;
FIG. 5 is a right side elevational view thereof;
FIG. 6 is a top plan view thereof; and,
FIG. 7 is a bottom plan view thereof.

[56] References Cited

U.S. PATENT DOCUMENTS

D. 112,809 1/1939 Fuller D8/375
D. 275,832 10/1984 Kotkins, Jr. D8/375
D. 292,873 11/1987 Chen D8/375
4,262,780 4/1981 Samuelian 190/18 A

1 Claim, 4 Drawing Sheets



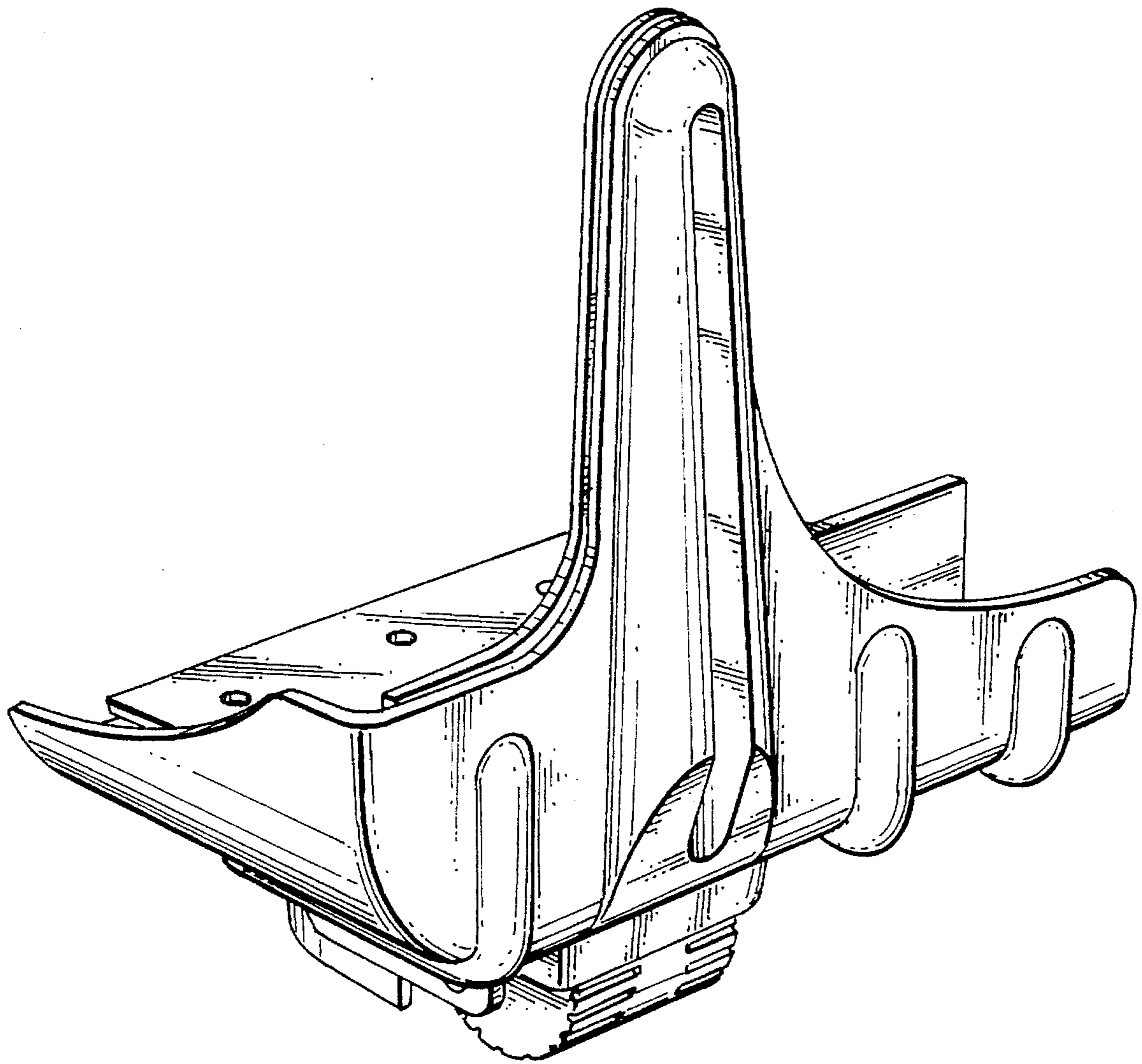


FIG. 1

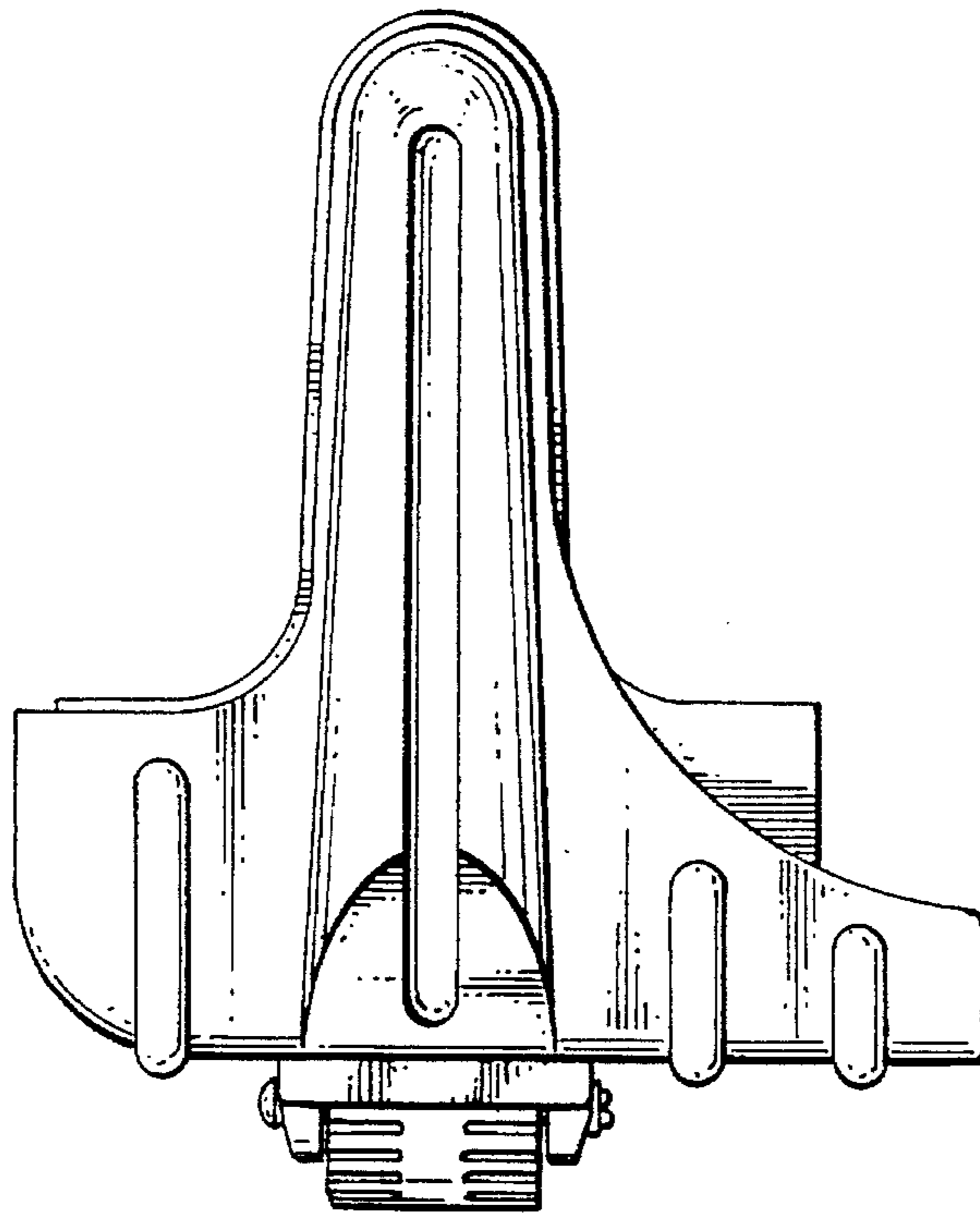


FIG. 2

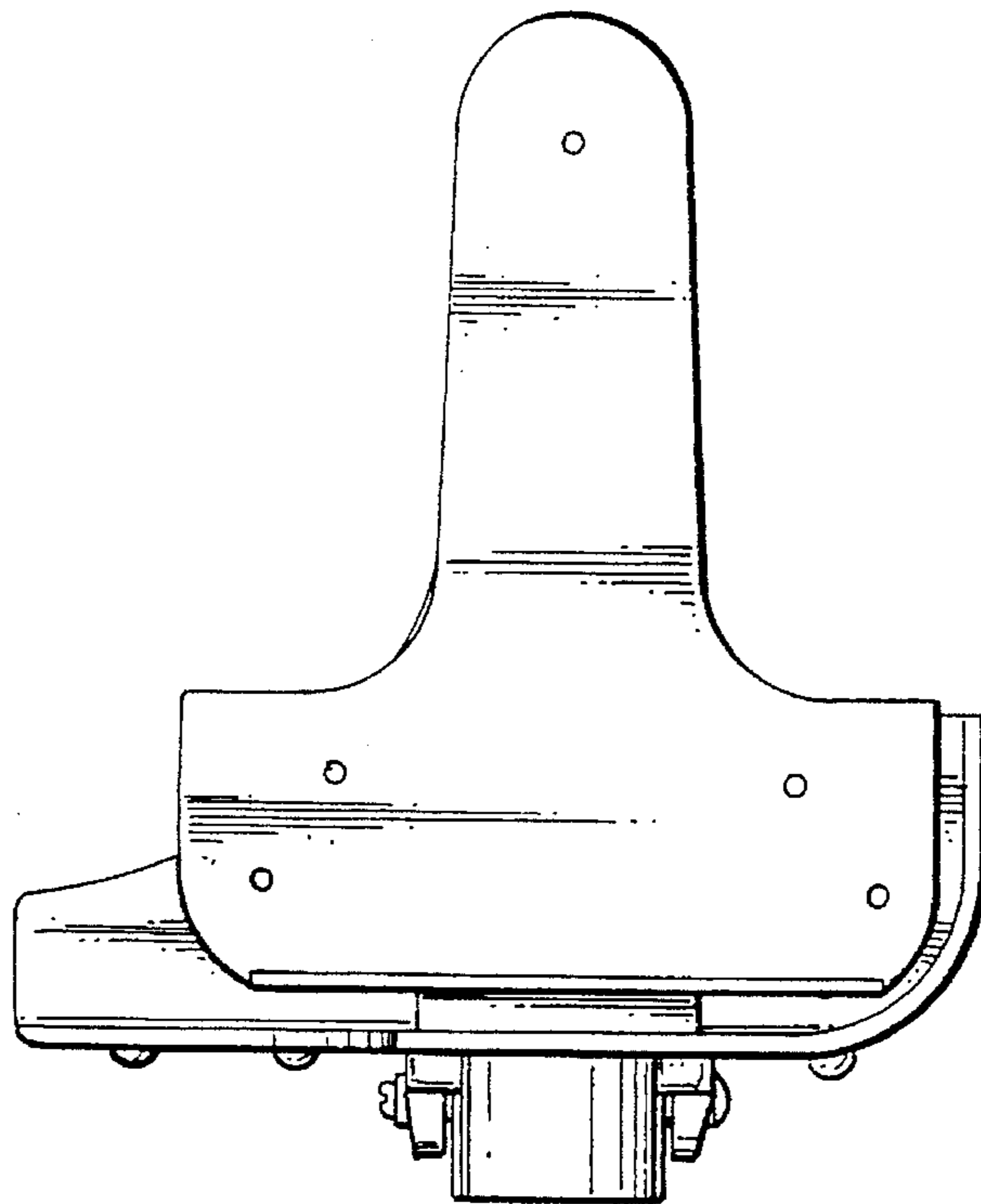


FIG. 3

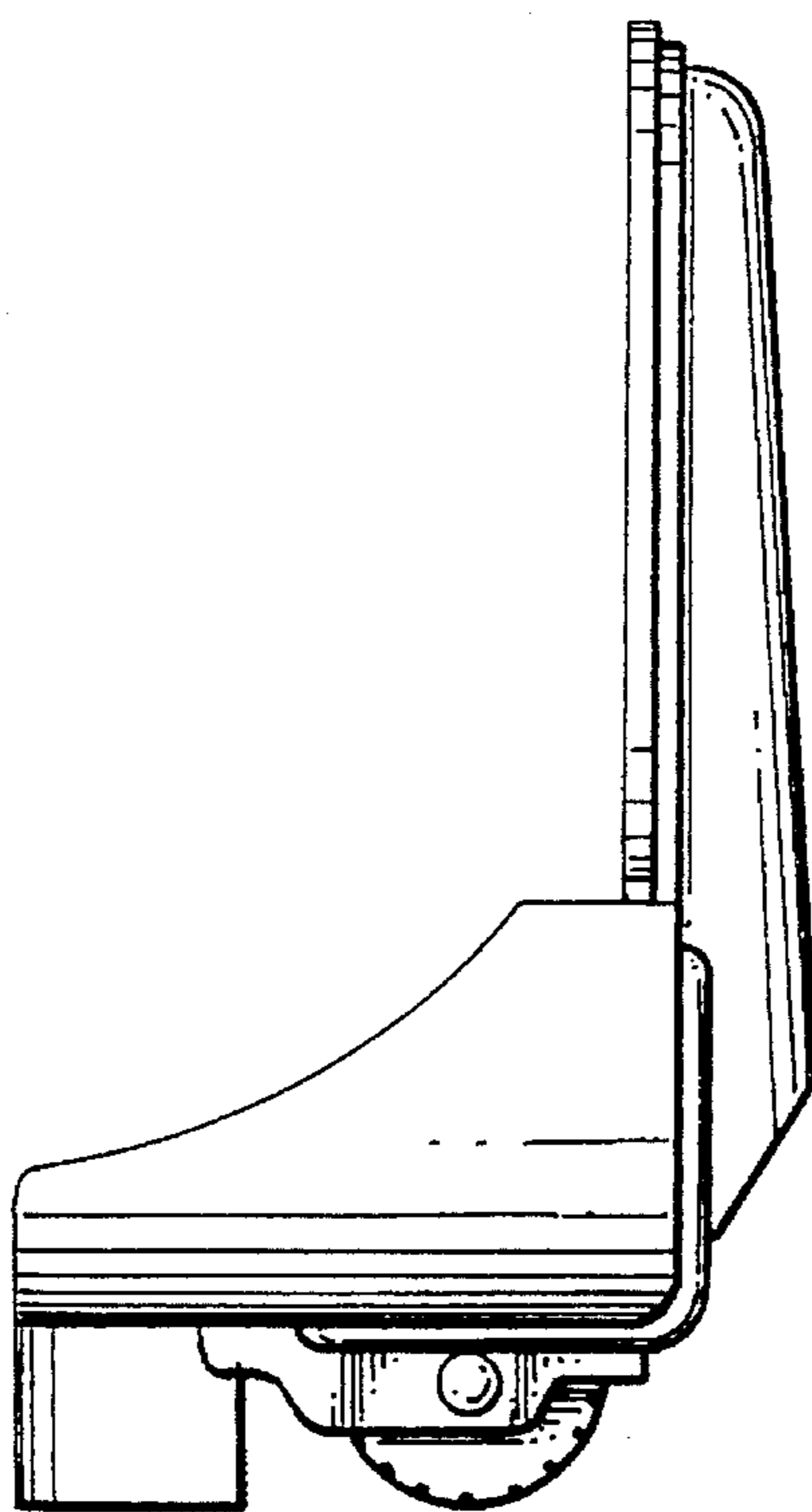


FIG. 4

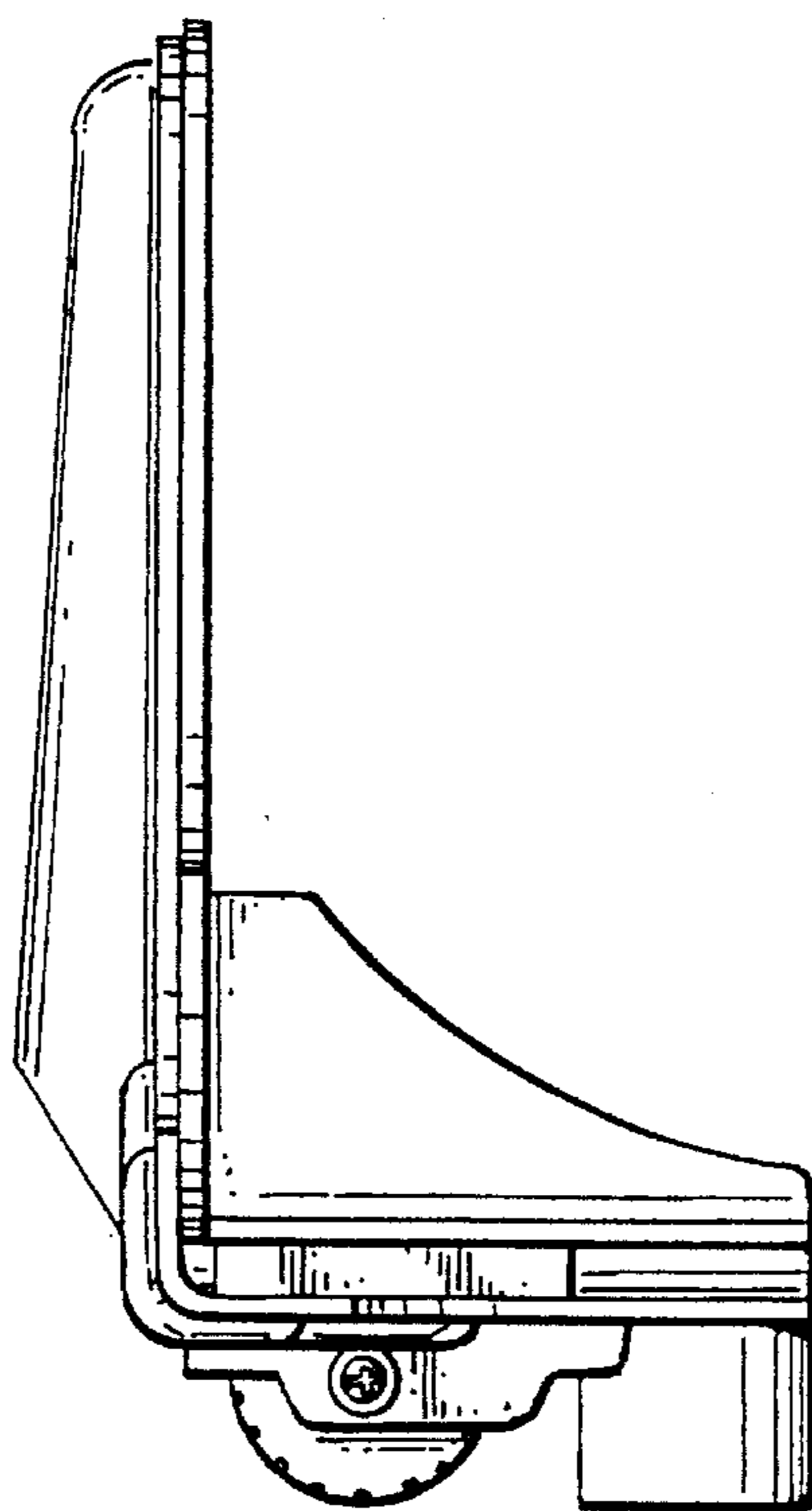


FIG. 5

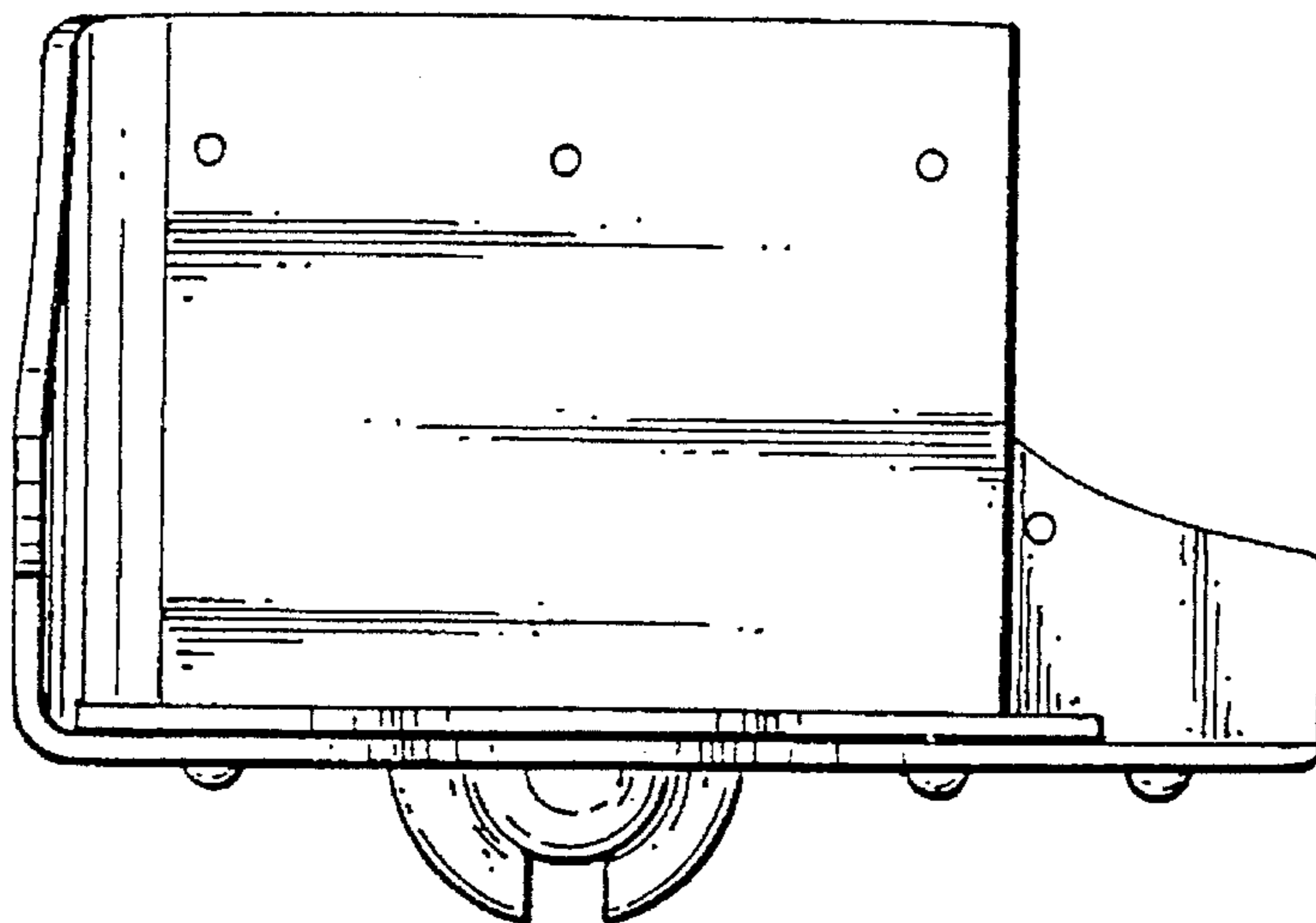


FIG. 6

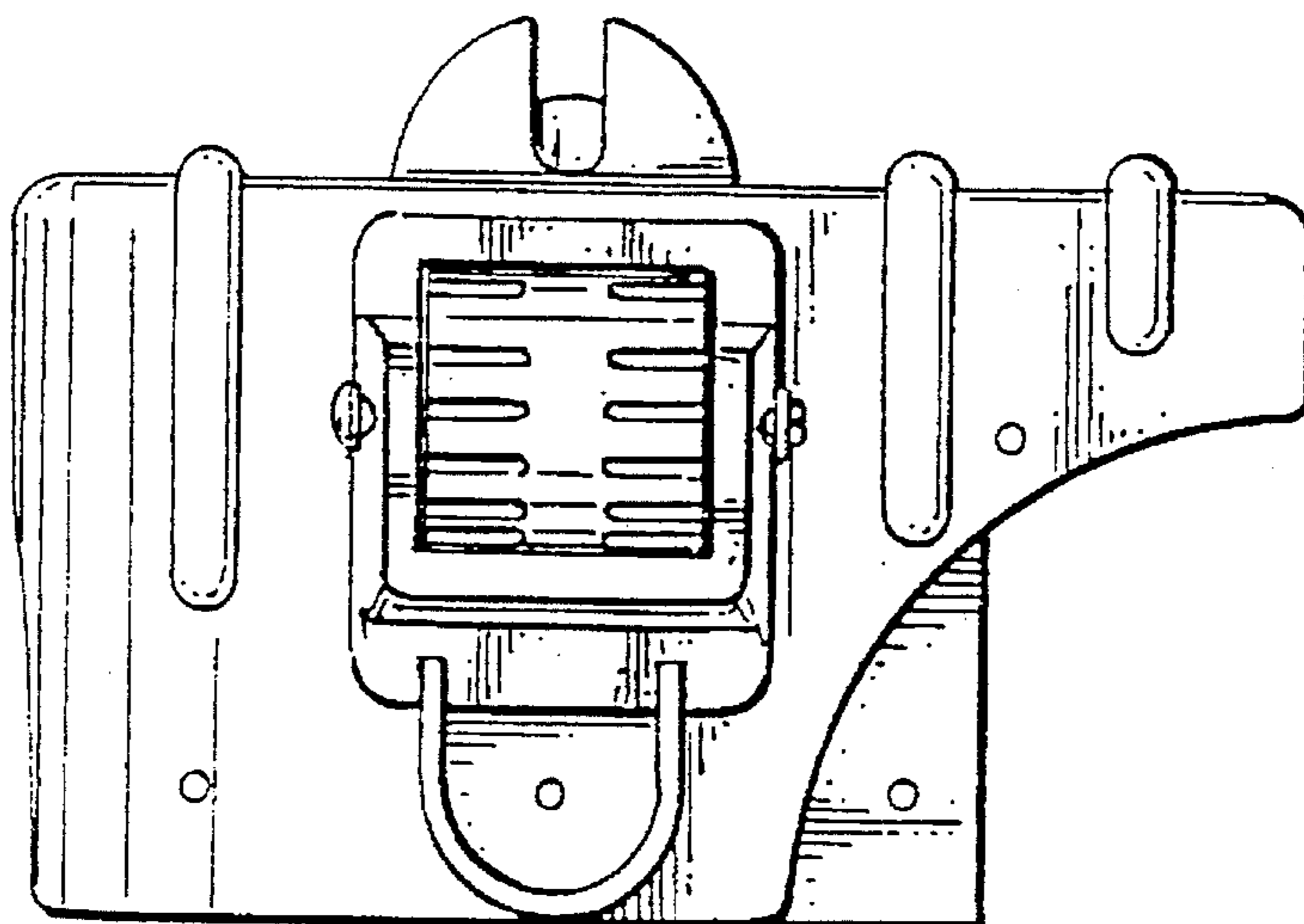


FIG. 7