



US00D374815S

**United States Patent** [19]  
**Snow**

[11] **Patent Number: Des. 374,815**

[45] **Date of Patent: \*\*Oct. 22, 1996**

[54] **EXTENSION CORD RETAINER**

4,934,646 6/1990 Doyle ..... 248/309.1

[76] Inventor: **Russell P. Snow**, 27 Penacook St.,  
Concord, N.H. 03301

*Primary Examiner*—Holly H. Baynham  
*Attorney, Agent, or Firm*—James A. Hudak

[\*\*] Term: **14 Years**

[57] **CLAIM**

[21] Appl. No.: **40,478**

The ornamental design for an extension cord retainer, as shown and described.

[22] Filed: **Jun. 20, 1995**

**DESCRIPTION**

[52] U.S. Cl. .... **D8/394; D8/356; D8/396;**  
D13/153

[58] **Field of Search** ..... D8/356, 394, 396;  
D13/154, 153, 156; 439/368–369, 371;  
24/18, 306; 242/309.1

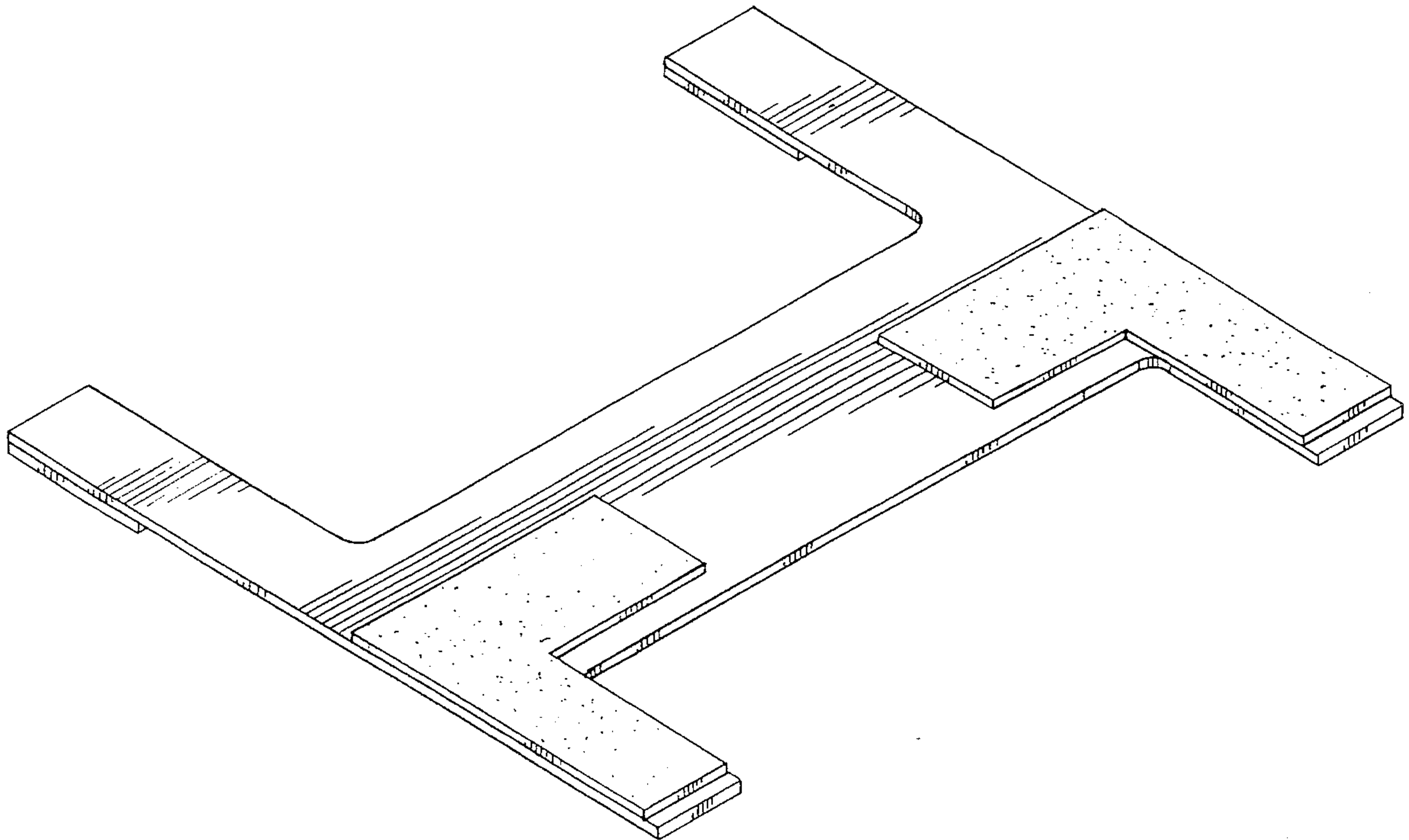
FIG. 1 is a perspective view of the extension cord retainer showing my new design;  
FIG. 2 is a front elevational view thereof;  
FIG. 3 is a rear elevational view thereof;  
FIG. 4 is a left end elevational view thereof, the right end elevational view being a mirror image of the view shown in this Figure;  
FIG. 5 is a top plan view thereof; and,  
FIG. 6 is a bottom plan view thereof.

[56] **References Cited**

**U.S. PATENT DOCUMENTS**

- D. 243,227 2/1977 Schattner ..... D8/382 X
- D. 305,097 12/1989 Converse ..... D8/394
- D. 319,382 8/1991 Hunter ..... D8/373 X
- D. 364,798 12/1995 Bright ..... D8/394

**1 Claim, 3 Drawing Sheets**



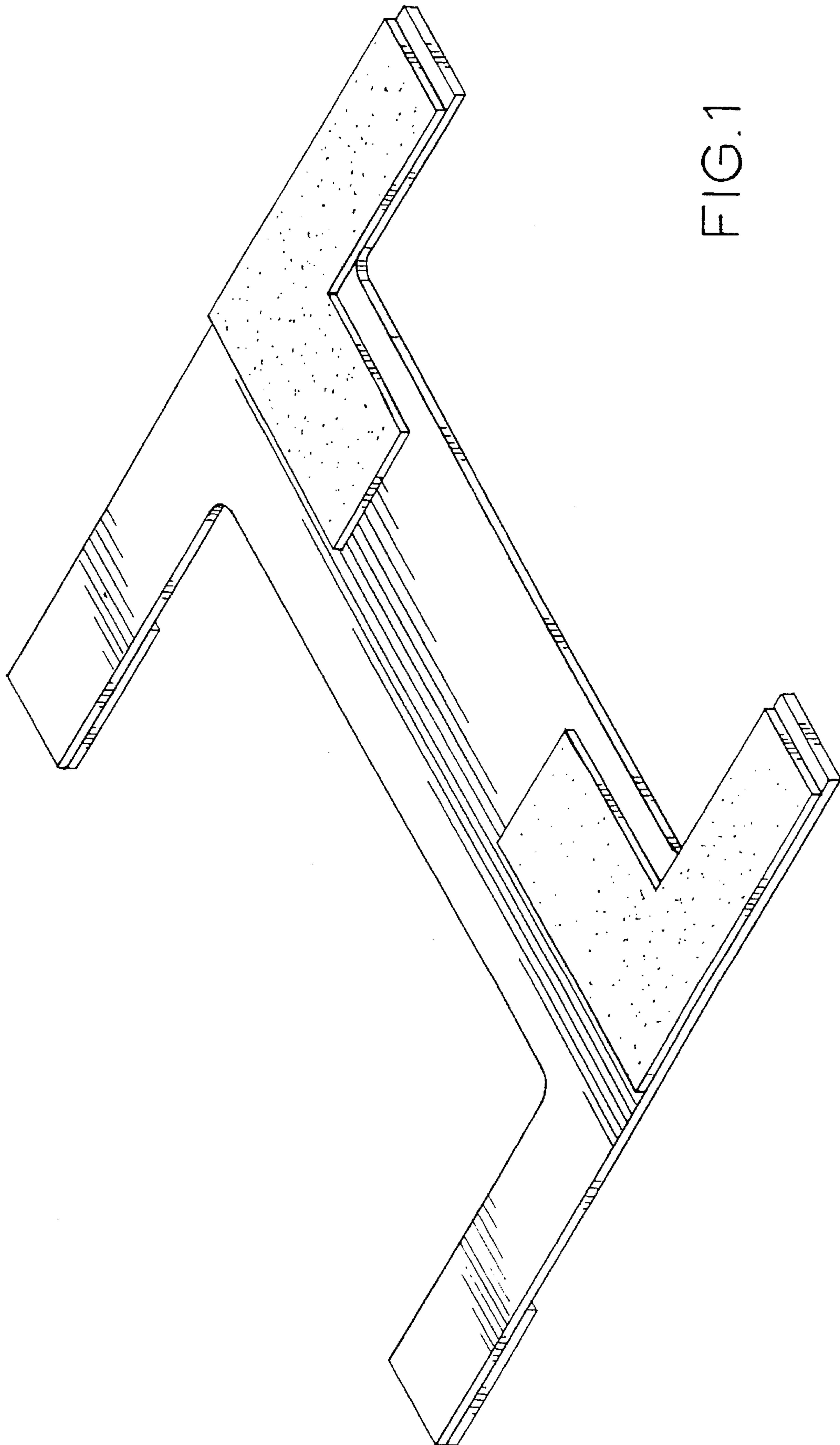


FIG. 1

FIG. 2.

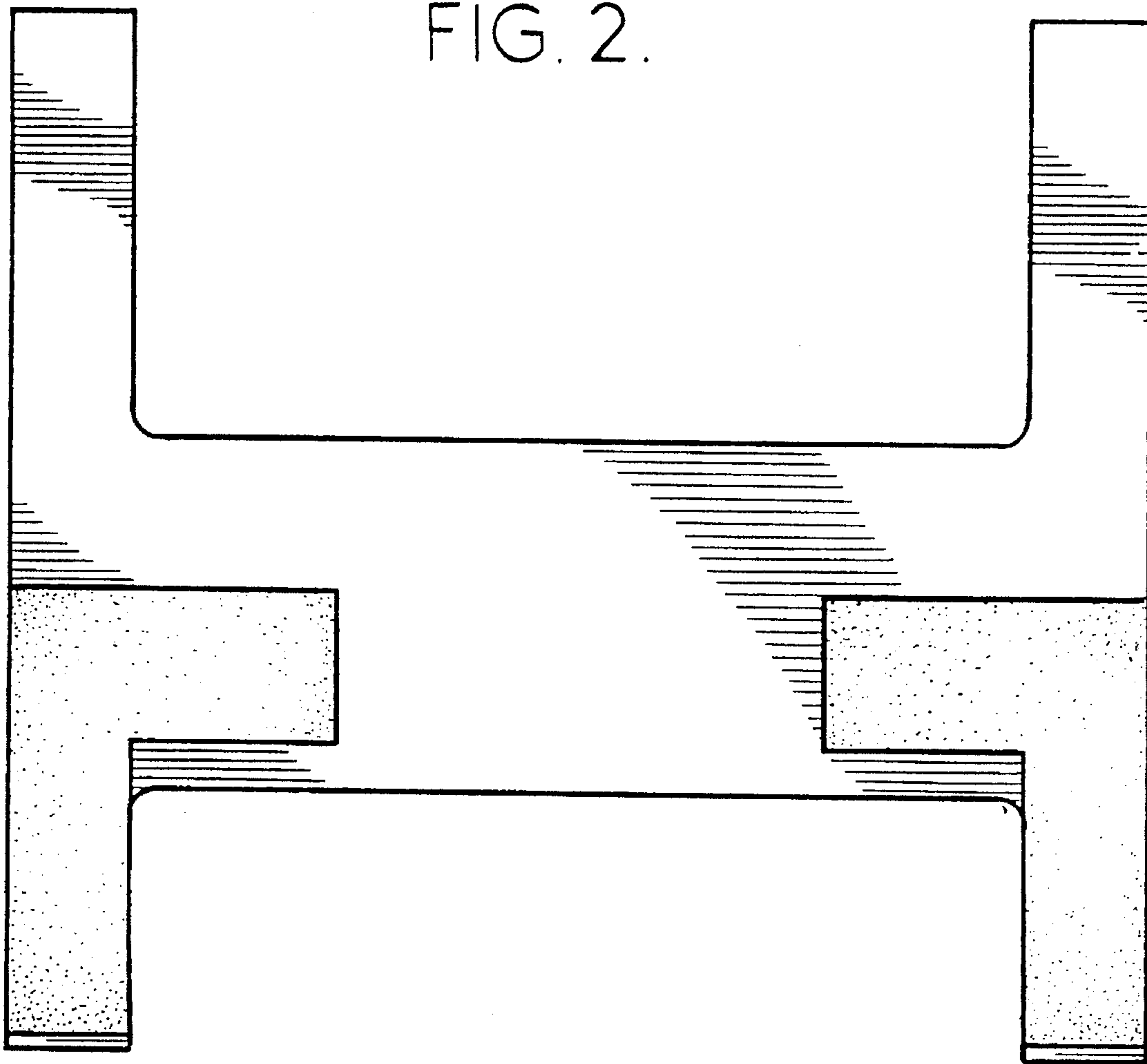


FIG. 5.

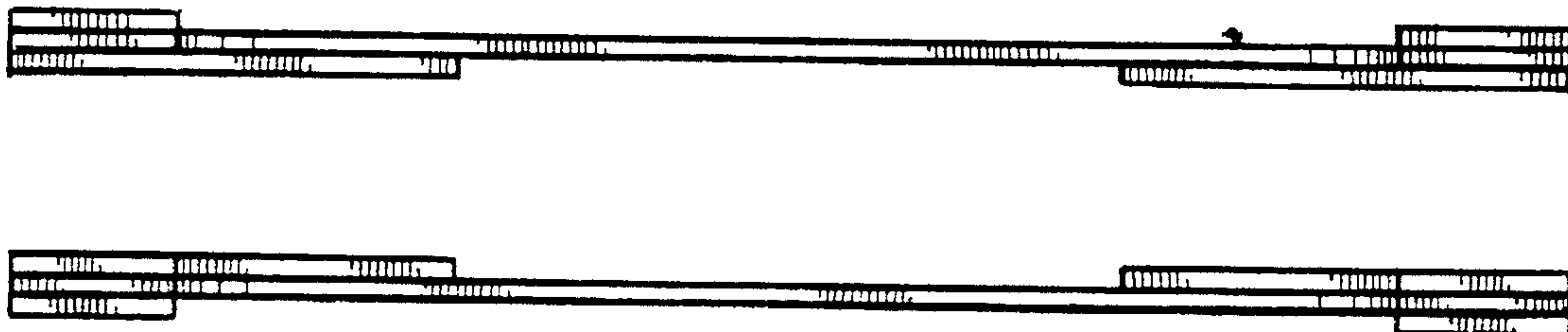


FIG. 6.

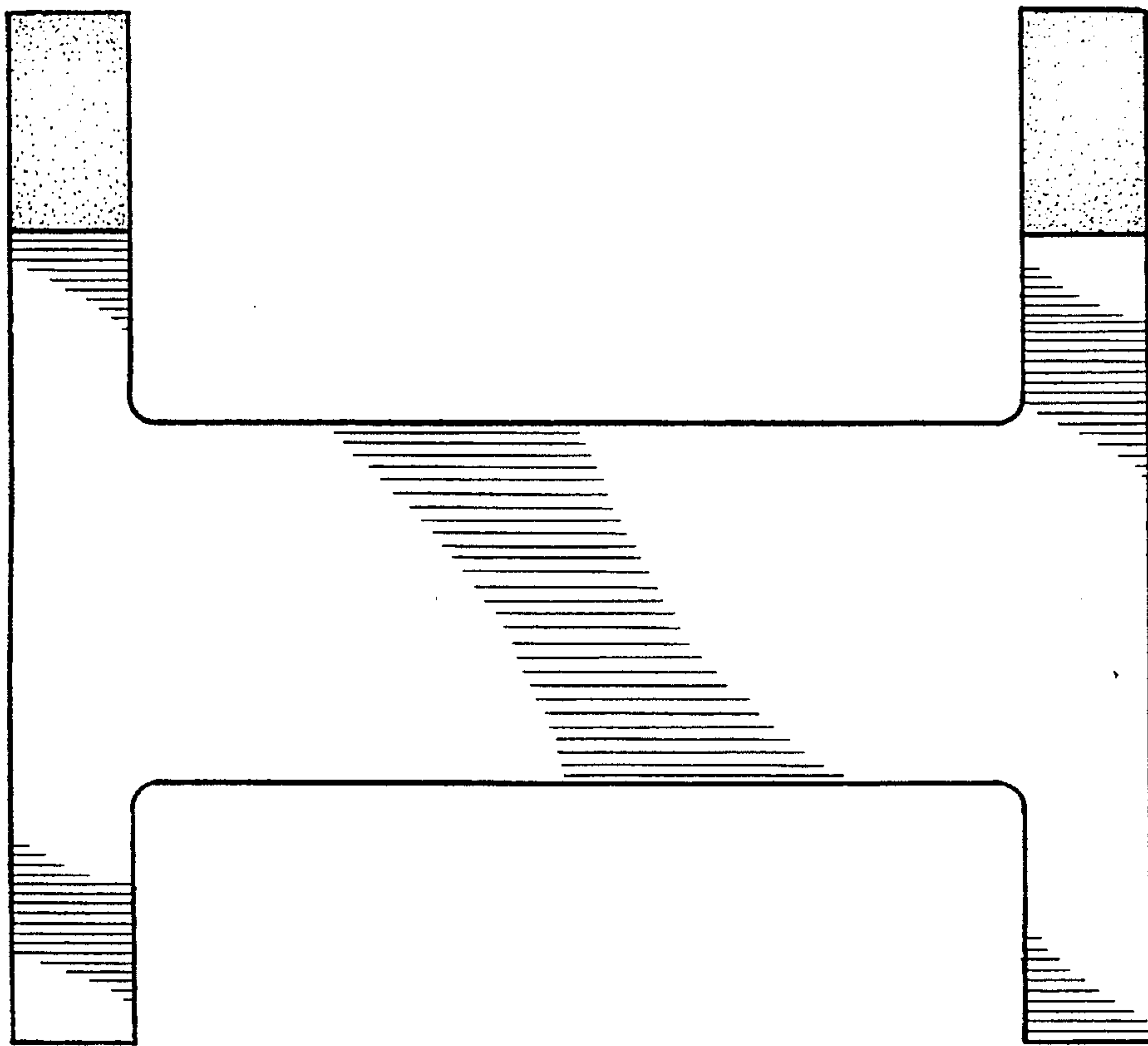


FIG. 3.



FIG. 4.