



US00D374812S

United States Patent [19]

Hirano et al.

[11] Patent Number: **Des. 374,812**

[45] Date of Patent: ****Oct. 22, 1996**

[54] CLAW COUPLING

[75] Inventors: **Seiji Hirano; Masamichi Morioka**,
both of Shizuoka-ken, Japan

[73] Assignee: **Yazaki Industrial Chemical Co., Ltd.**,
Shizuoka-ken, Japan

[**] Term: **14 Years**

[21] Appl. No.: **36,707**

[22] Filed: **Mar. 24, 1995**

[52] U.S. Cl. **D8/382**

[58] Field of Search D8/382, 393; 285/156,
285/330; D23/259, 262; 403/169, 170,
217, 218, 219, 405.1, 205

[56] References Cited

U.S. PATENT DOCUMENTS

150,109	4/1874	Van Duzer	285/156
470,237	3/1892	Freeman	285/330
1,980,818	11/1934	Morrow	285/156
2,208,893	7/1940	Burch	285/156
4,613,168	9/1986	Smith et al.	285/156
4,821,818	4/1989	Mefferd	285/330
5,193,566	3/1993	Chen	403/405.1
5,421,273	6/1995	Lin	403/170

FOREIGN PATENT DOCUMENTS

1415658	9/1965	France	403/170
0225809	9/1990	Japan	403/170

OTHER PUBLICATIONS

Design Magazine 1990 pp. 3 and 35.

Primary Examiner—Louis S. Zarfaz
Assistant Examiner—Gregory Andoll
Attorney, Agent, or Firm—Banner & Allegretti, Ltd.

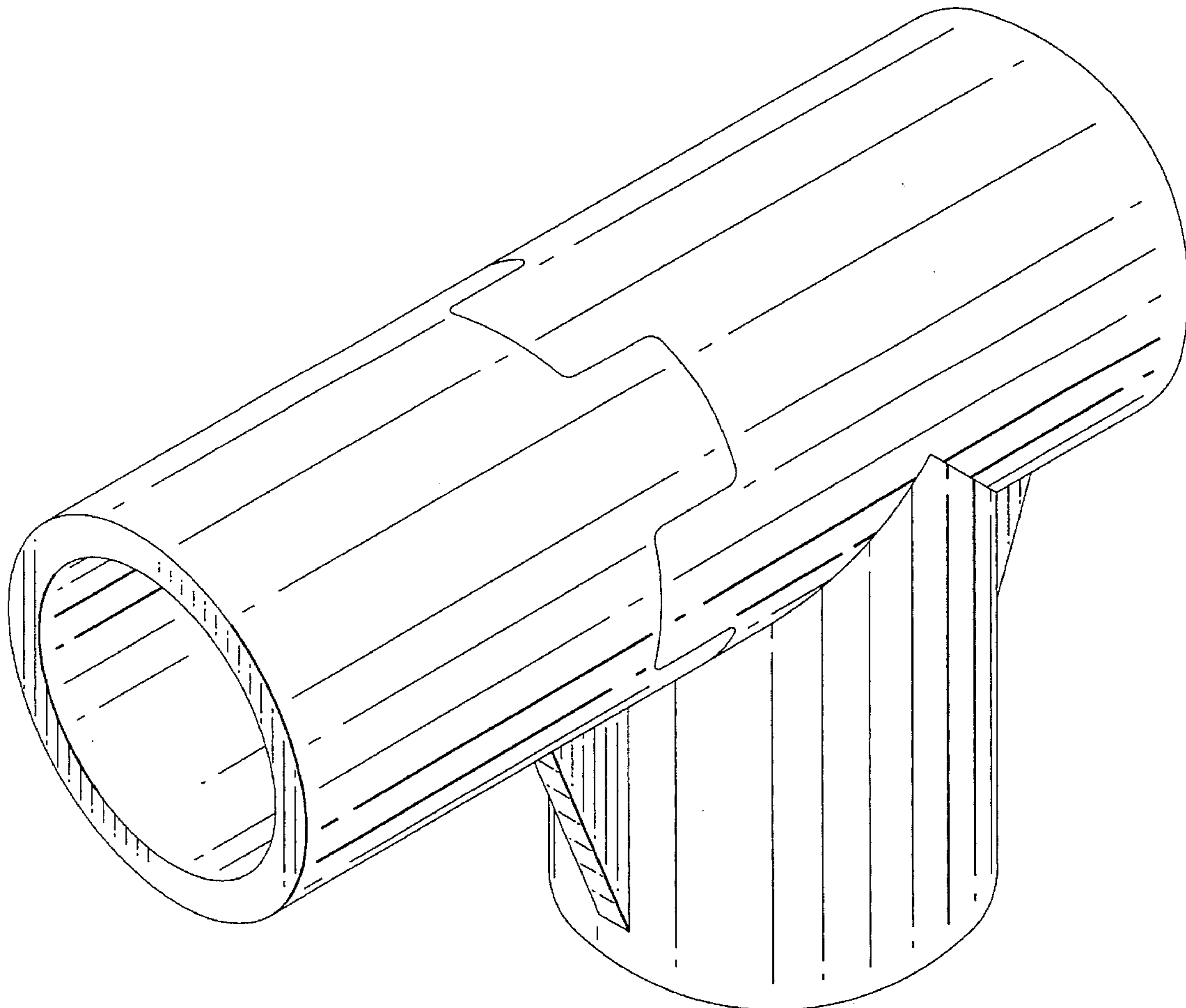
[57] CLAIM

The ornamental design for a claw coupling, as shown and described.

DESCRIPTION

FIG. 1 is a side perspective of a claw coupling showing our new design;
FIG. 2 is a top plan view thereof;
FIG. 3 is a right side view thereof; the left side being a mirror image thereof;
FIG. 4 is a front view thereof, the rear view being identical; and,
FIG. 5 is a bottom view thereof.

1 Claim, 2 Drawing Sheets



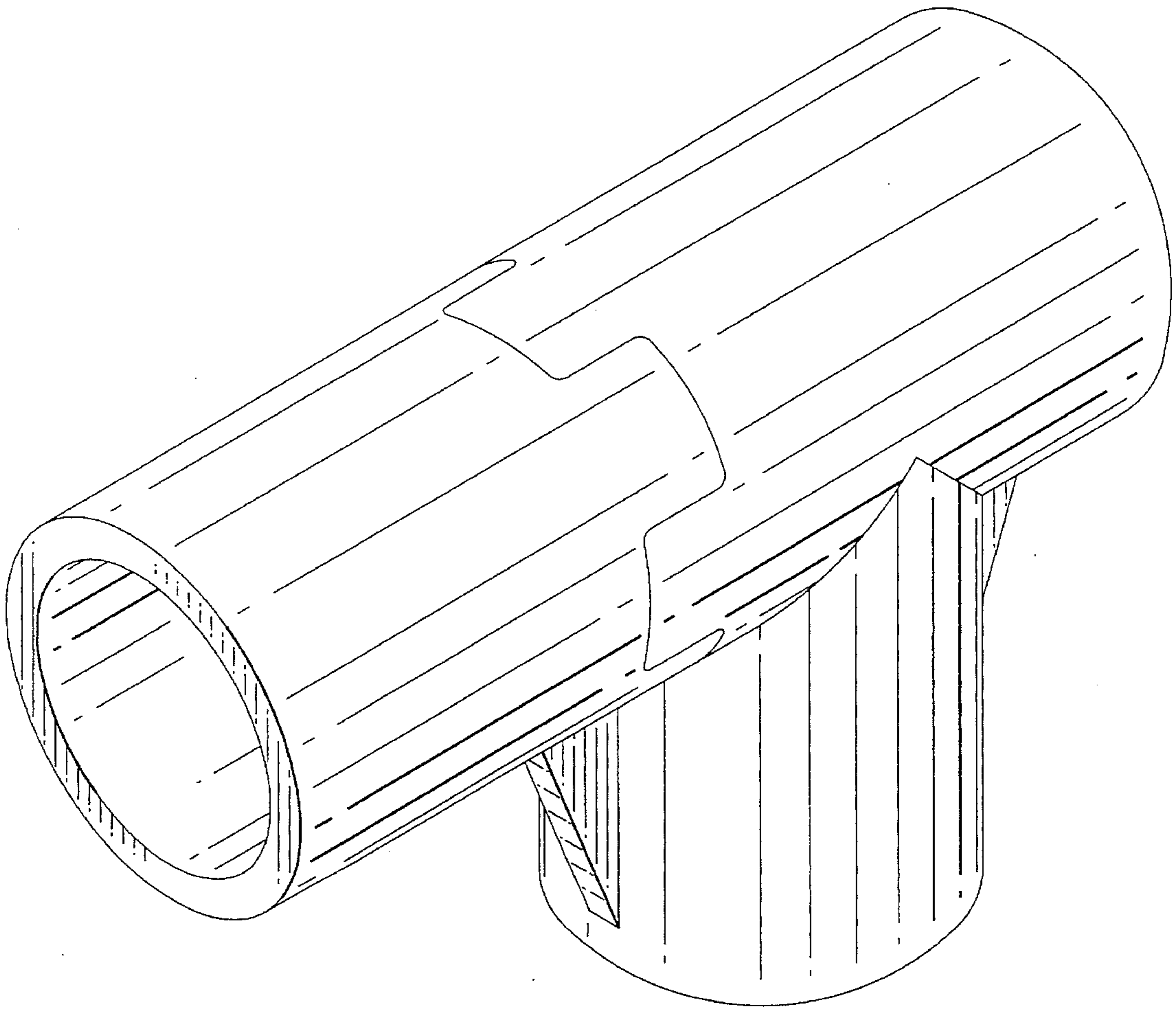


FIG. 1

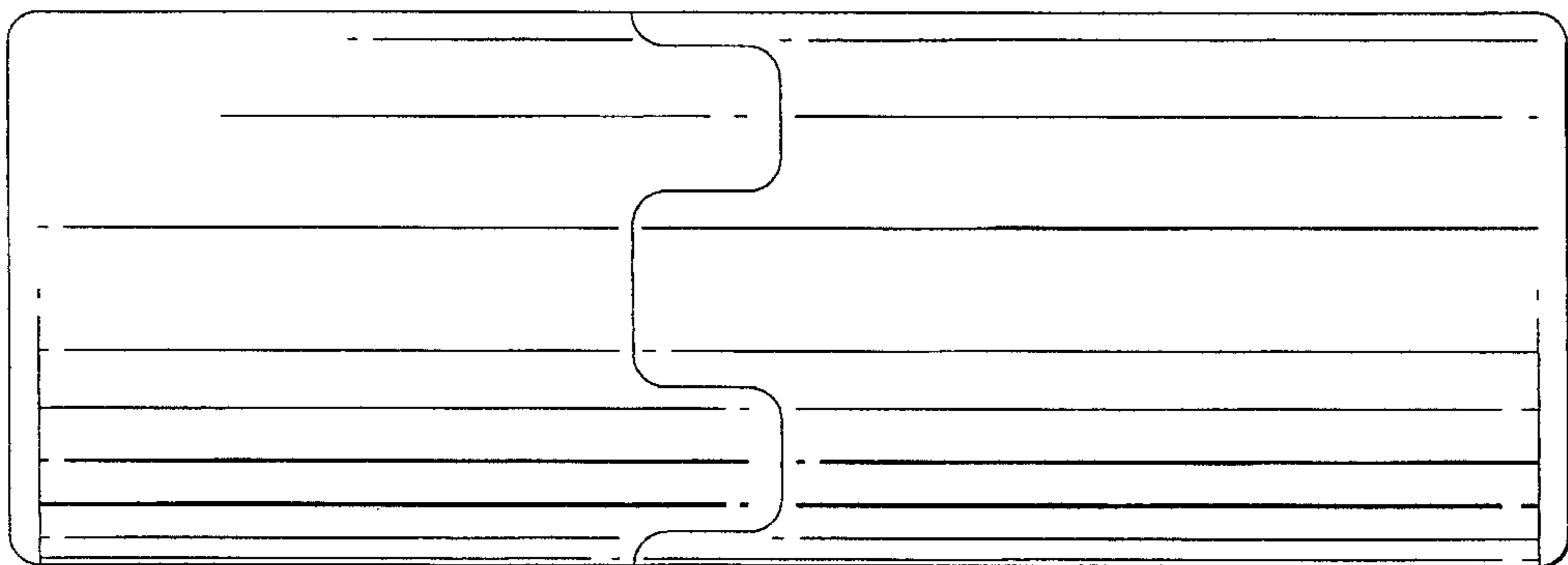


FIG. 2

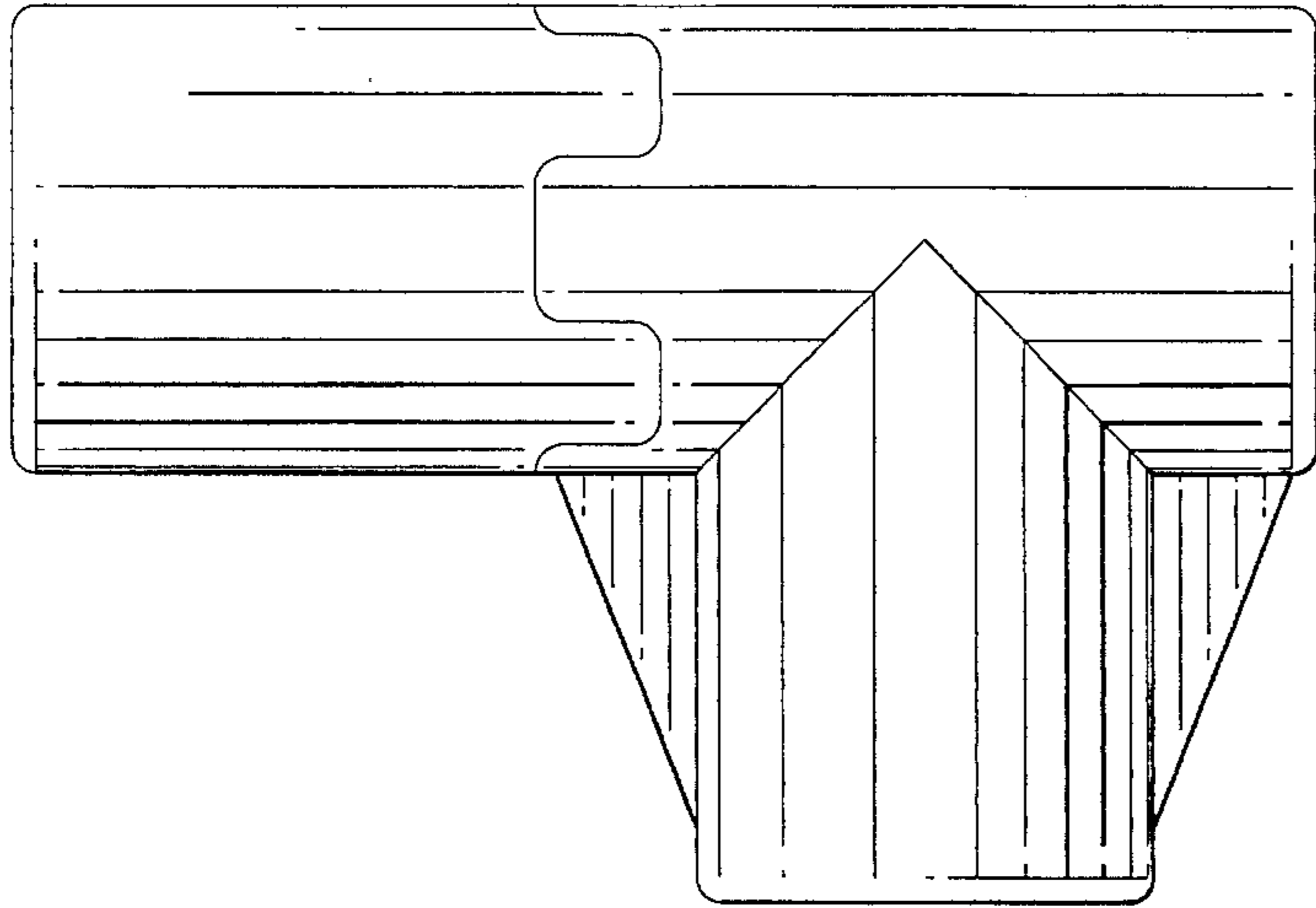


FIG. 3

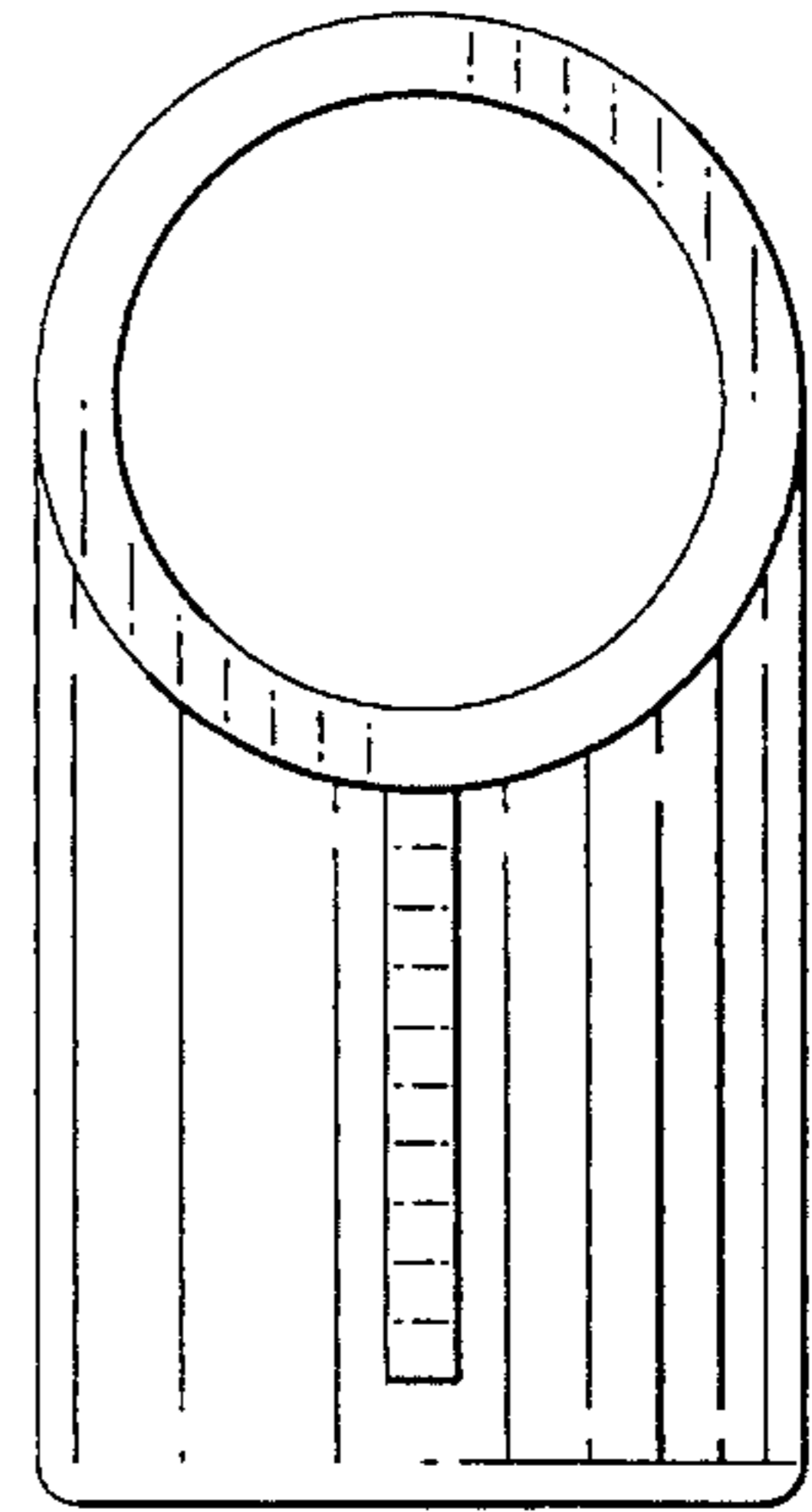


FIG. 4

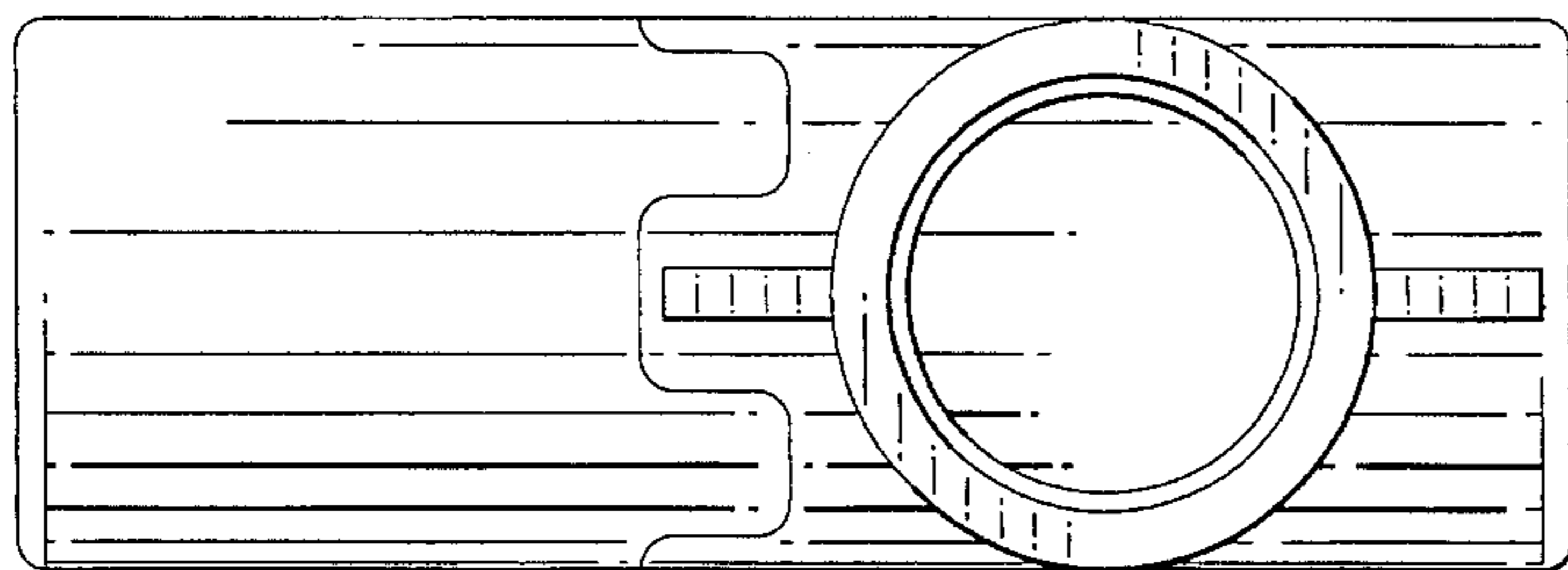


FIG. 5