



US00D374810S

United States Patent [19]

[11] **Patent Number: Des. 374,810**

Keijser et al.

[45] **Date of Patent: **Oct. 22, 1996**

[54] **FRAME FOR MOUNTING ELECTRONIC EQUIPMENT**

Primary Examiner—Holly H. Baynham
Attorney, Agent, or Firm—Ostrolenk, Faber, Gerb & Soffen, LLP

[75] Inventors: **Johannes W. M. Keijser**, Helmond;
Jacobus J. Crebolder meergenaamd Krijbolder, Erp, both of Netherlands

[57] **CLAIM**

The ornamental design for a frame for mounting electronic equipment, as shown and described.

[73] Assignee: **Minkels Products B.V.**, Netherlands

DESCRIPTION

[**] Term: **14 Years**

FIG. 1 is an elevational view of the lefthand side, which is symmetrical with respect to the righthand side;

[21] Appl. No.: **40,514**

FIG. 2 is a front elevational view thereof;

[22] Filed: **Jun. 20, 1995**

FIG. 3 is a rear elevational view;

[30] **Foreign Application Priority Data**

FIG. 4 is a top plan view;

Dec. 20, 1994 [XH] Hague Agreement DM/031583

FIG. 5 is a bottom plan view; and,

[52] **U.S. Cl.** **D8/354; D14/102**

FIG. 6 is, on an enlarged scale, a partial perspective view showing a few details on the outside of the frame elements which can not be drawn on the scale of the previous figures and showing also those sides of the elements which are directed towards the interior of the frame.

[58] **Field of Search** D8/349, 354; D25/60-61, D25/199; D14/102, 224; 248/906, 544; 52/34, 204.1, 205-206; D13/156-154; 211/26; 361/826; 312/265.4

The view of FIG. 6 is shown fragmented for clarity of illustration.

[56] **References Cited**

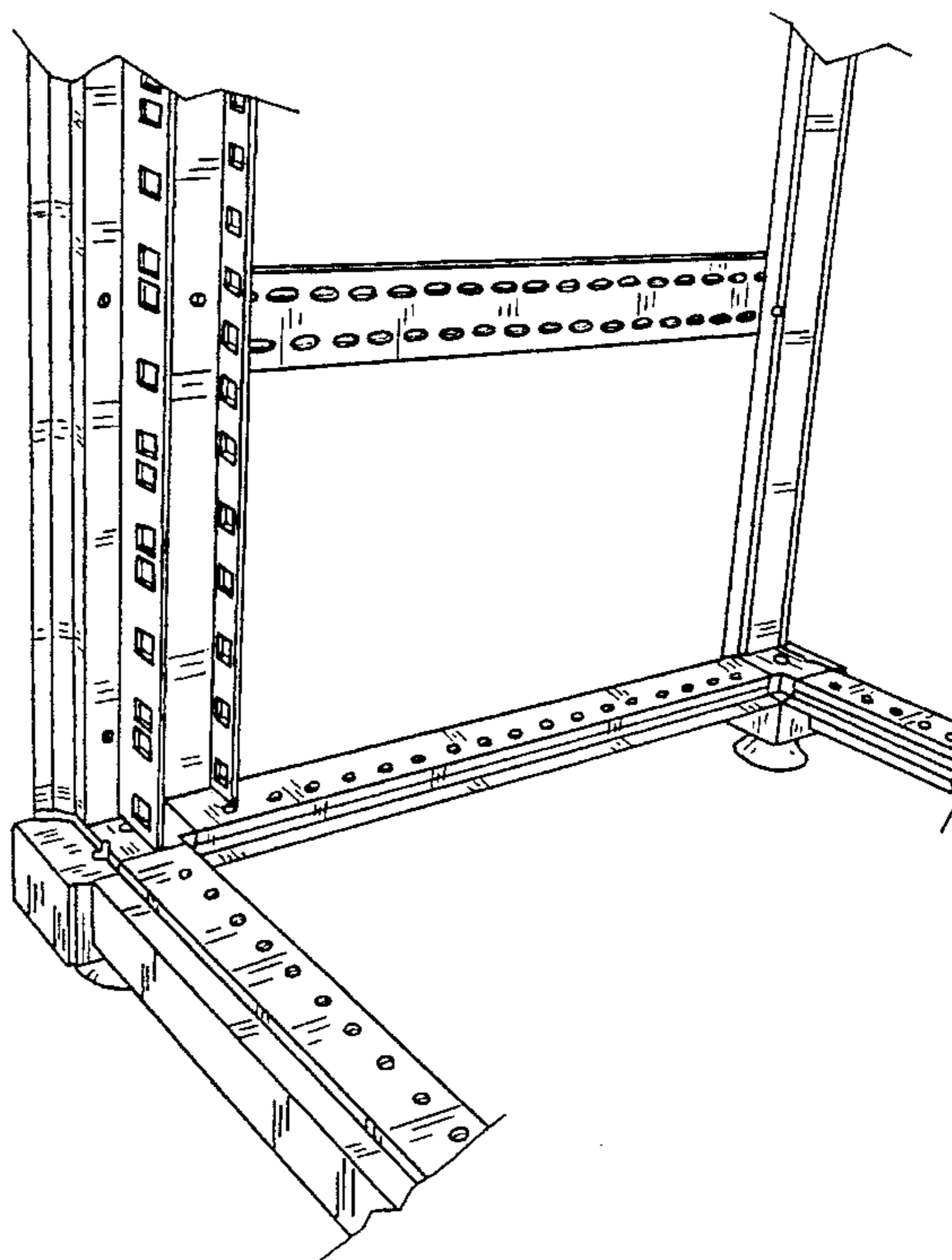
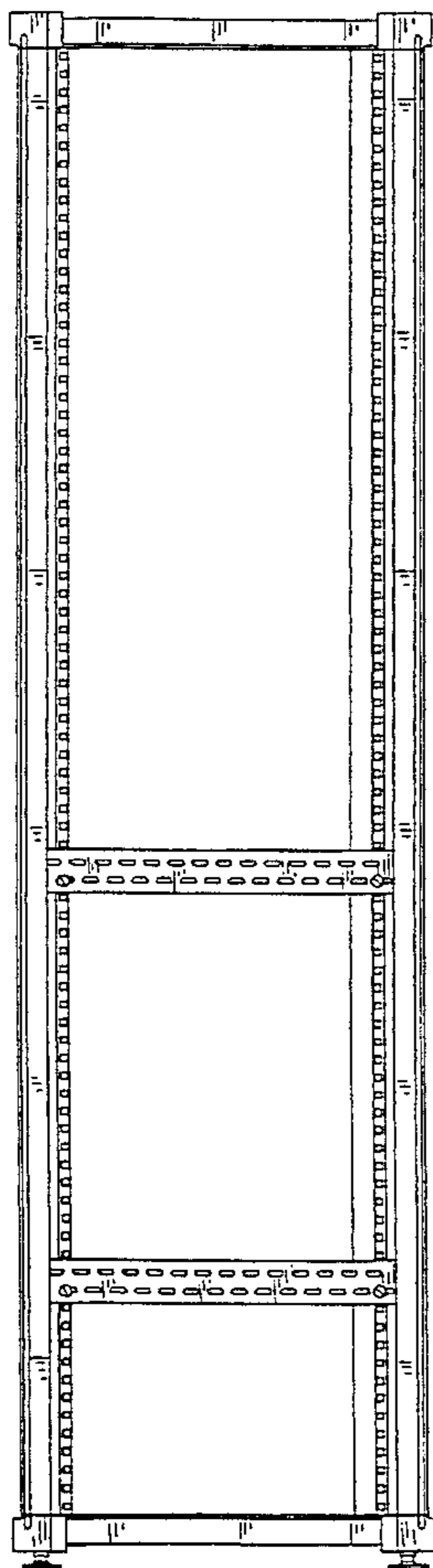
The features of the undisclosed inside view of the bottom structure of FIG. 6 are understood to be identical in appearance to the fragmented portion shown.

U.S. PATENT DOCUMENTS

The undisclosed inside view of the top structure is identical in appearance to the view shown in FIG. 6.

D. 360,189	7/1995	Orlando	D13/154
2,661,677	12/1953	Lingelbach	248/906 X
5,165,770	11/1992	Hahn	312/265.4
5,372,262	12/1994	Benson et al.	211/26

1 Claim, 5 Drawing Sheets



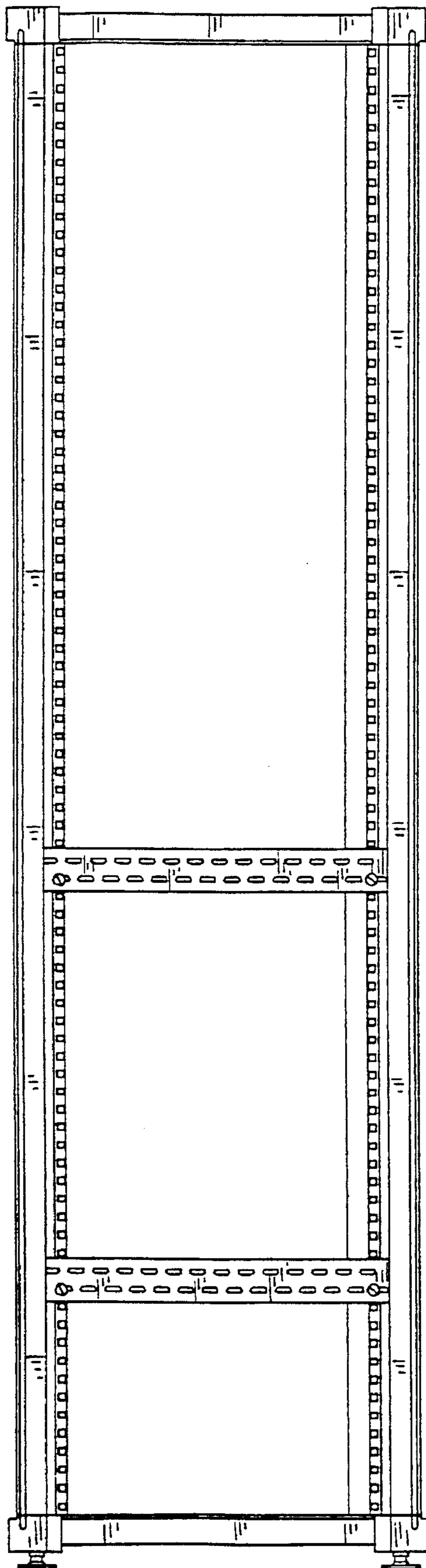


FIG. 1

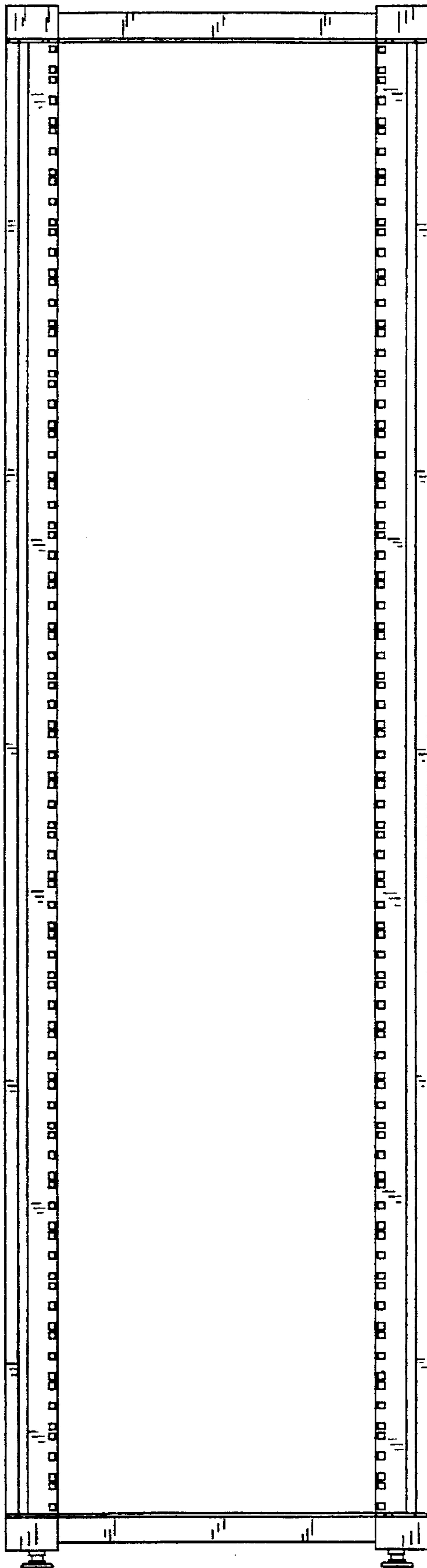


FIG. 2

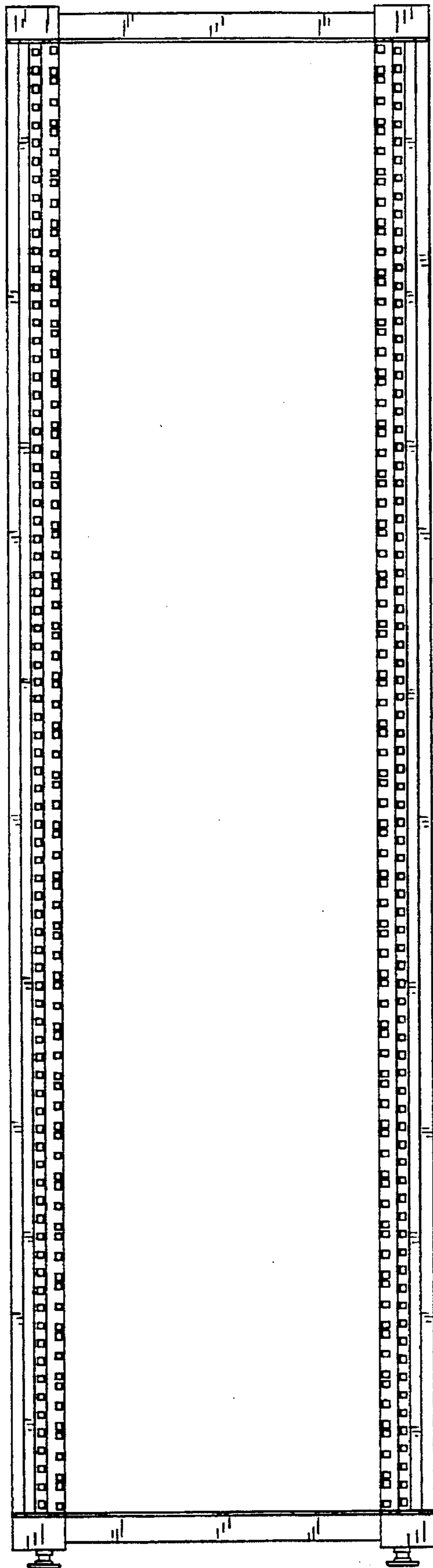


FIG. 3

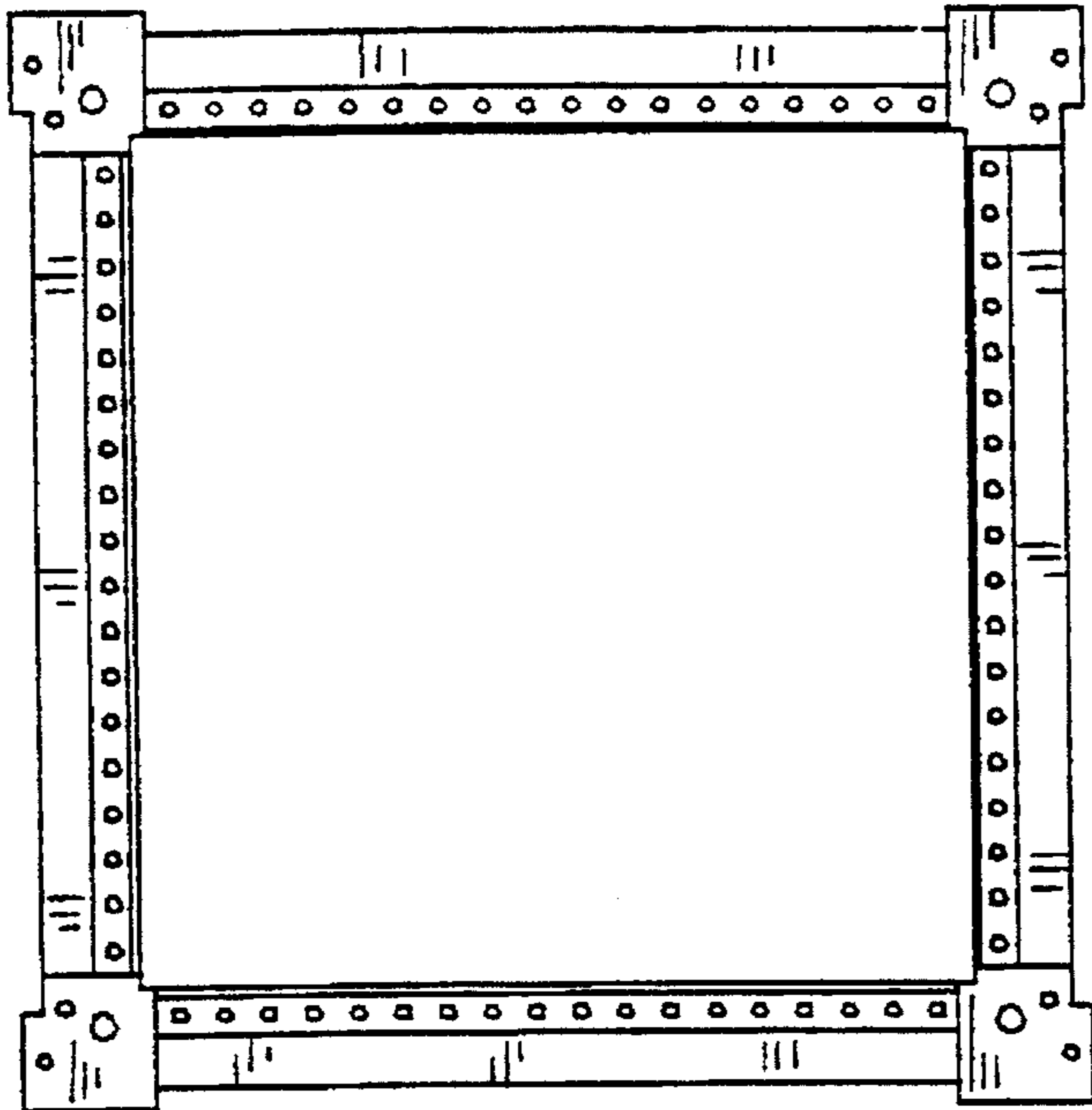


FIG. 4

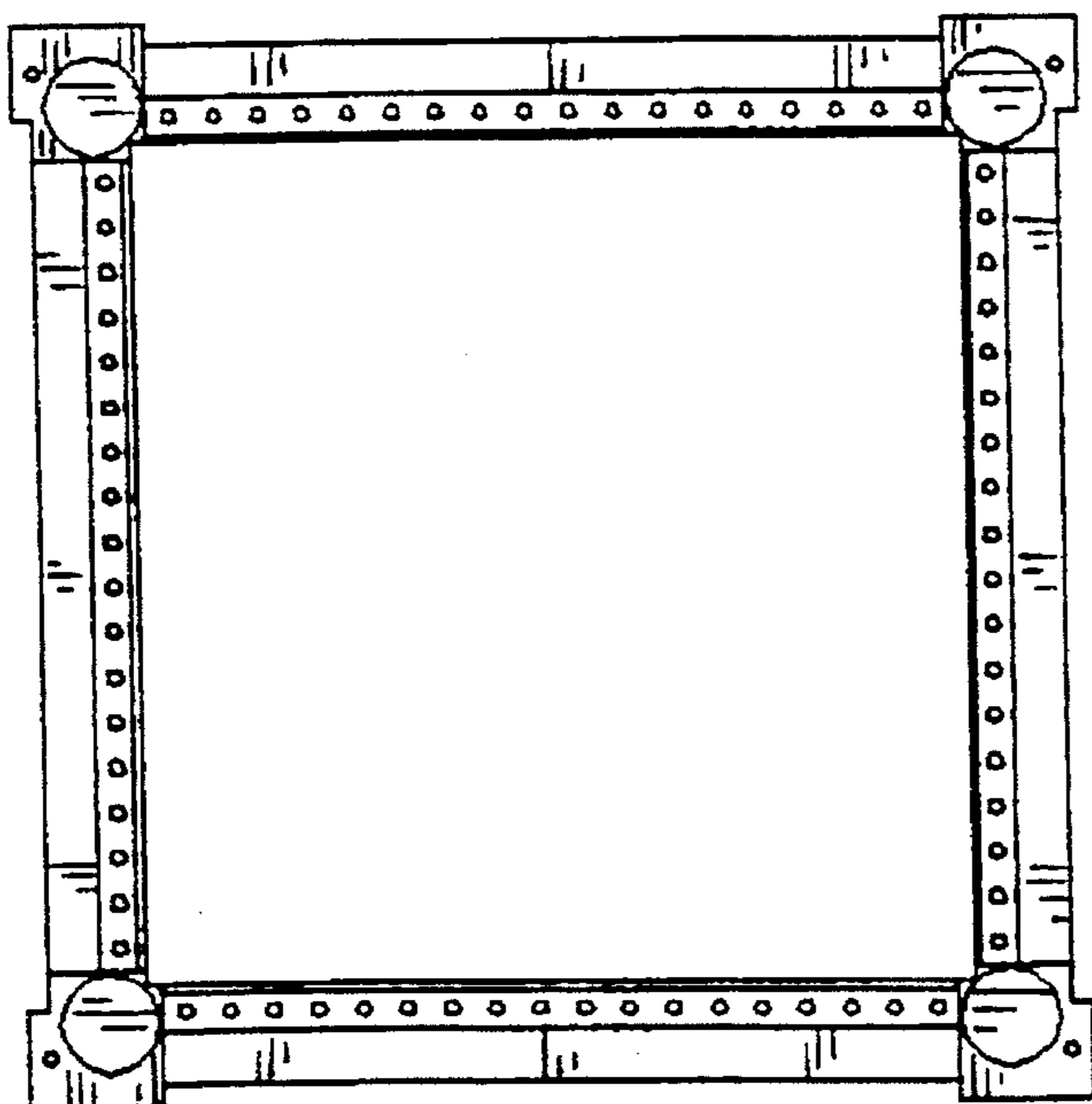


FIG. 5

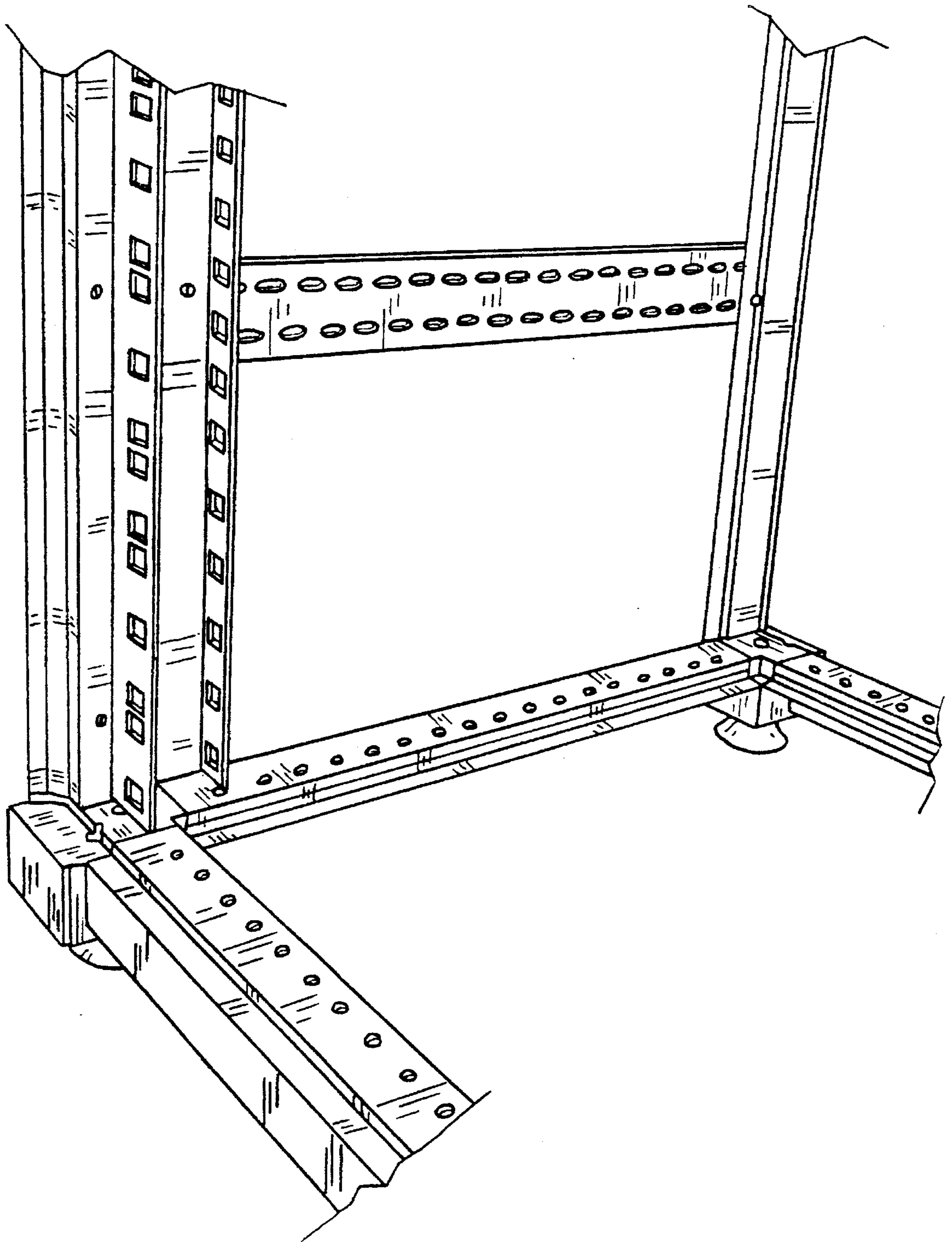


FIG. 6