



US00D374808S

United States Patent [19] Ungar

[11] Patent Number: **Des. 374,808**

[45] Date of Patent: ****Oct. 22, 1996**

[54] **DIVING COMPUTER RETAINER**

D. 338,882 8/1993 Reiter D14/114

[75] Inventor: **William D. Ungar**, Lake Forest, Calif.

Primary Examiner—Holly H. Baynham

[73] Assignee: **U.S. Divers Co., Inc.**, Santa Ana, Calif.

Attorney, Agent, or Firm—George F. Bethel; Patience K. Bethel

[**] Term: **14 Years**

[57] **CLAIM**

[21] Appl. No.: **46,738**

The ornamental design for a diving computer retainer, as shown and described.

[22] Filed: **Oct. 31, 1995**

[52] U.S. Cl. **D8/349**; D14/114

DESCRIPTION

[58] **Field of Search** D8/349, 354; D14/114;
248/300, 200, 205.1, 214, 188.2, 346, 917-924;
439/326, 328, 79

FIG. 1 shows a top perspective view of my diving computer retainer of this invention;

FIG. 2 shows a side elevation view looking from the right side of FIG. 1;

FIG. 3 shows an end elevation view looking from the left side of FIG. 1; and,

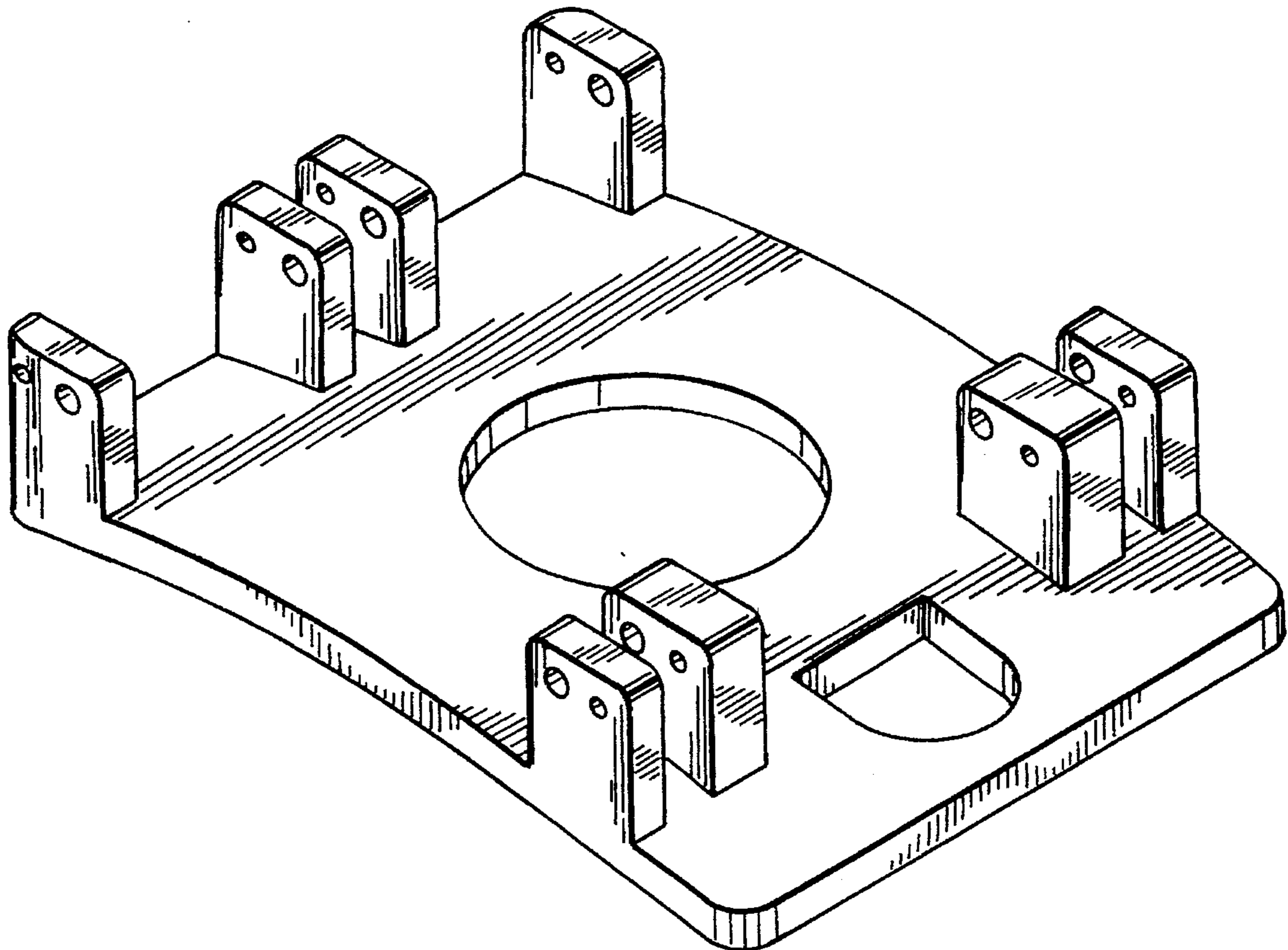
FIG. 4 shows a bottom plan view.

[56] **References Cited**

U.S. PATENT DOCUMENTS

- D. 234,337 2/1975 Block D8/349 X
- D. 243,655 3/1977 Matousek et al. D8/354
- D. 320,980 10/1991 Howard et al. D14/114

1 Claim, 1 Drawing Sheet



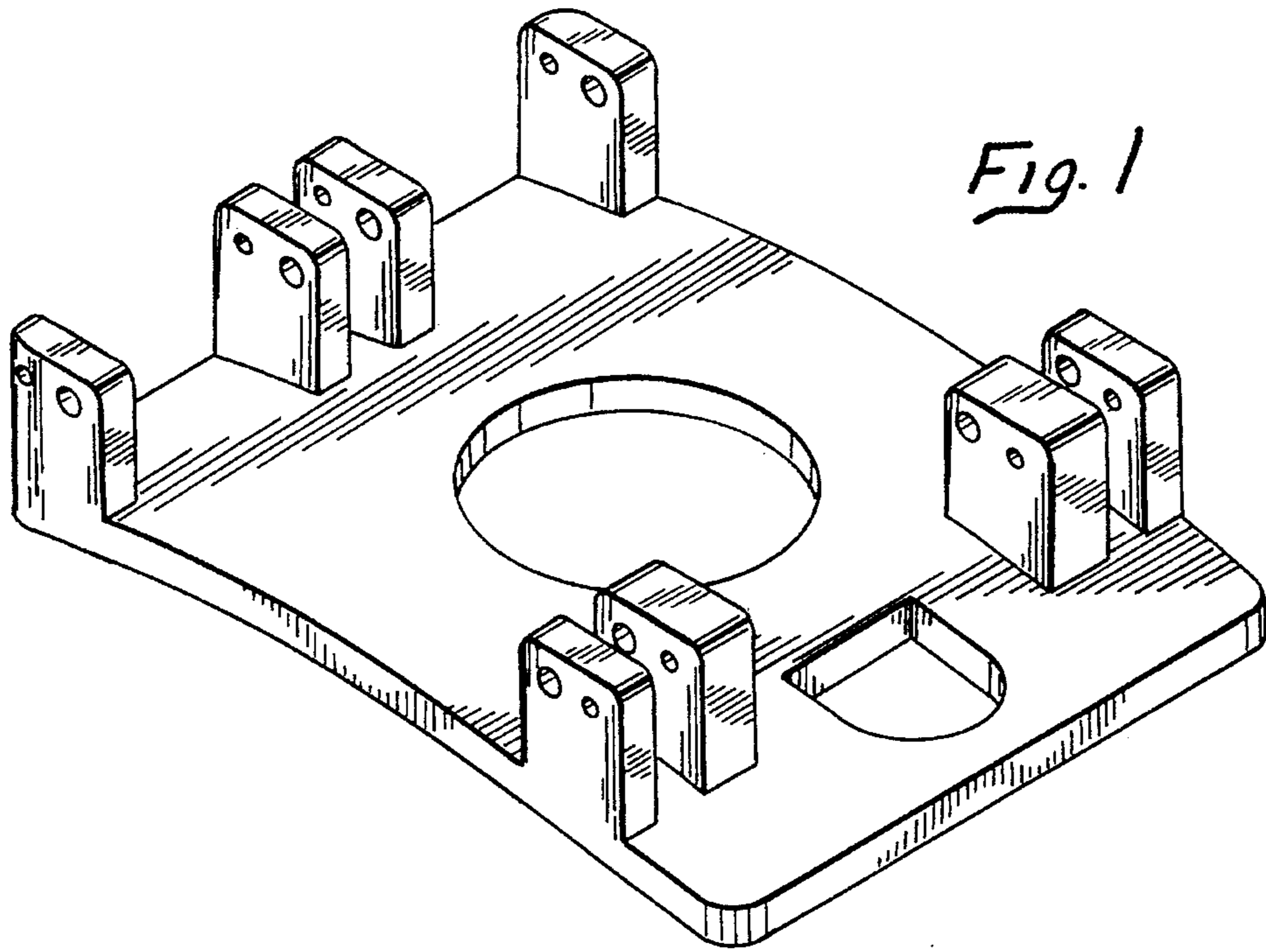


Fig. 2

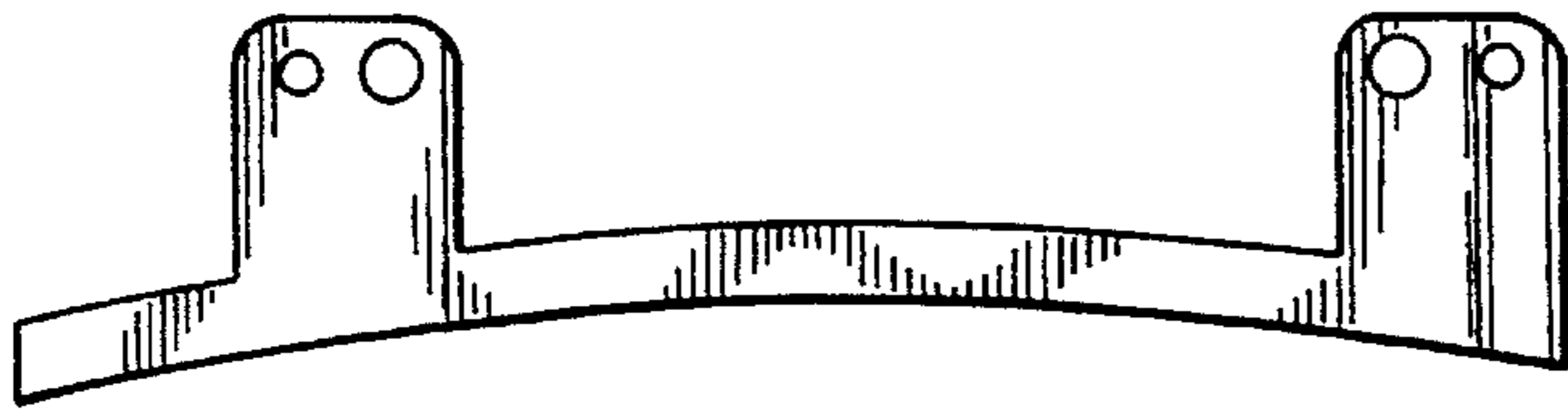


Fig. 3

Fig. 4

