



US00D374806S

United States Patent [19]

[11] **Patent Number: Des. 374,806**

Ford et al.

[45] **Date of Patent: **Oct. 22, 1996**

[54] **DRAW LATCH**

[57] **CLAIM**

[75] Inventors: **James J. Ford**, Niskayuna, N.Y.; **Lynn B. Ziemer**, Ridley Park; **Edward A. McCormack**, Media, both of Pa.

The ornamental design for a draw latch, as shown and described.

[73] Assignee: **Southco, Inc.**, Concordville, Pa.

DESCRIPTION

[**] Term: **14 Years**

[21] Appl. No.: **43,105**

[22] Filed: **May 25, 1995**

FIG. 1 is a top plan view of a draw latch showing our new design;

FIG. 2 is a left side elevational view thereof, the right side being a mirror image of that shown;

FIG. 3 is a front elevational view thereof;

FIG. 4 is a rear elevational view thereof;

FIG. 5 is a top plan view thereof, with the latch shown in an open position;

FIG. 6 is a left side elevational view thereof, with the latch shown in an open position;

Related U.S. Application Data

[60] Division of Ser. No. 27,634, Aug. 25, 1994, Pat. No. Des. 367,218, which is a continuation-in-part of Ser. No. 19,345, Feb. 28, 1994, abandoned.

[52] **U.S. Cl.** **D8/331**

[58] **Field of Search** D8/330-331, 336-338, D8/339, 341-342; 292/109-110, 113, 121-122, 194, 217, 226, DIG. 12, DIG. 30

FIG. 7 is a top plan view of a second embodiment thereof, shown in an open position, the only difference from the first embodiment residing in the inclusion of a spring member and support;

FIG. 8 is a left side elevational view of the second embodiment thereof, the right side being a mirror image of that shown;

FIG. 9 is a right side elevational view of a third embodiment thereof, the only difference from the first embodiment residing in the configuration of the anchor mount;

FIG. 10 is a right side elevational view of a fourth embodiment thereof, the only difference from the second embodiment residing in the configuration of the anchor mount;

FIG. 11 is a right side elevational view of a fifth embodiment thereof, the only difference from the first embodiment residing in the configuration of the anchor mount;

FIG. 12 is a right side elevational view of a sixth embodiment thereof, the only difference from the second embodiment residing in the configuration of the anchor mount;

FIG. 13 is a right side elevational view of a seventh embodiment thereof, the only difference from the first embodiment residing in the configuration of the anchor mount; and,

FIG. 14 is a right side elevational view of an eighth embodiment thereof, the only difference from the second embodiment residing in the configuration of the anchor mount.

[56] **References Cited**

U.S. PATENT DOCUMENTS

- 3,145,038 8/1964 Swanson .
- 3,174,784 3/1965 Swanson .
- 3,936,082 2/1976 Swanson .
- 4,049,301 9/1977 Schenk .
- 4,540,206 9/1985 Frame et al. .
- 4,890,869 1/1990 Langkamp, Jr. .
- 5,271,649 12/1993 Gromotka .

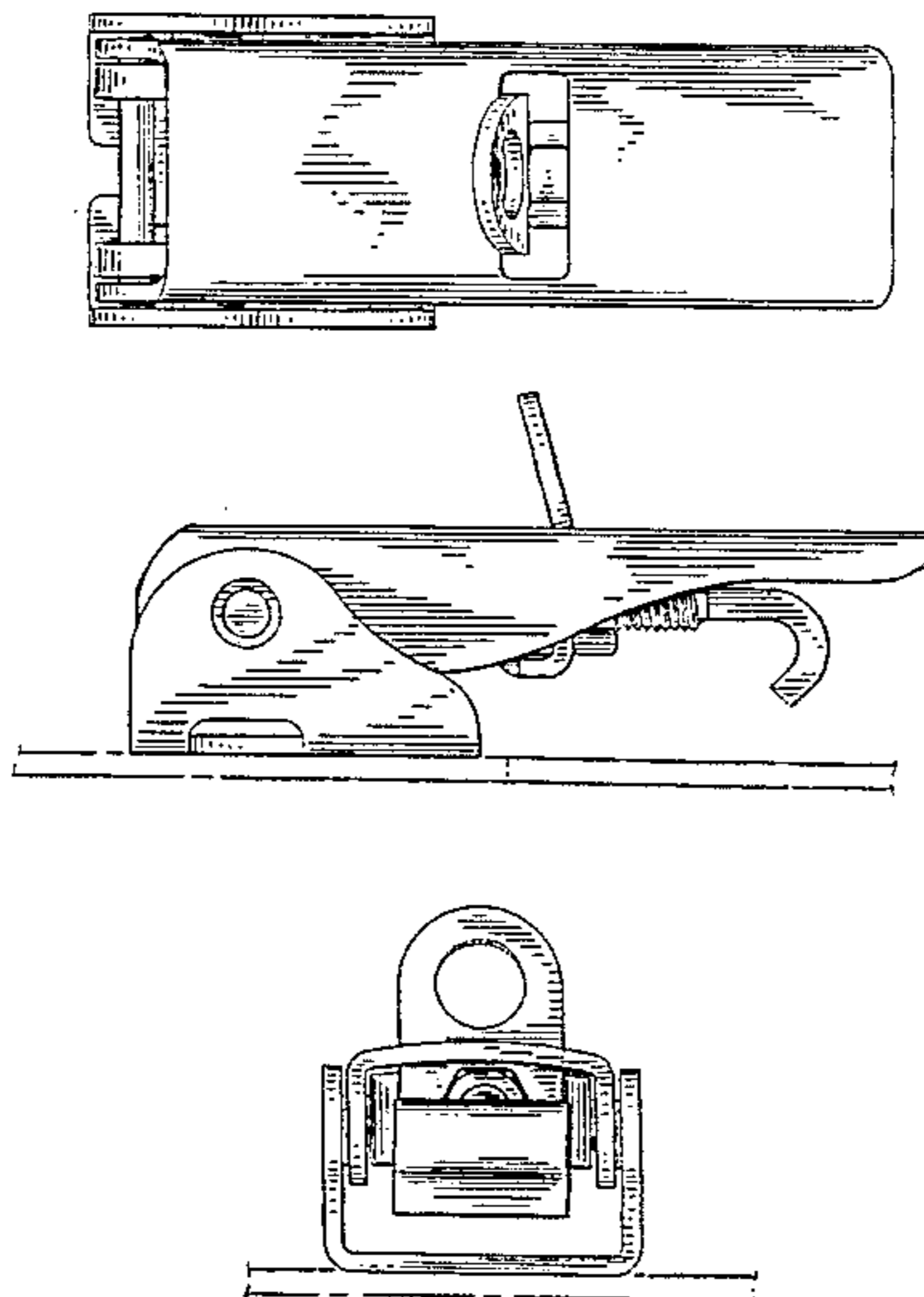
OTHER PUBLICATIONS

Southco Fasteners handbook 40 (Southco, Inc., Pennsylvania, 1990) Draw Latches, pp. H1-H30.

Camloc Fasteners master Catalog 57 (Rexnord, Inc., Wisconsin, 1987) pp. F4-F5, H6-7, H-10, H-12, I-2.

Primary Examiner—Brian N. Vinson
Attorney, Agent, or Firm—Paul & Paul

1 Claim, 5 Drawing Sheets



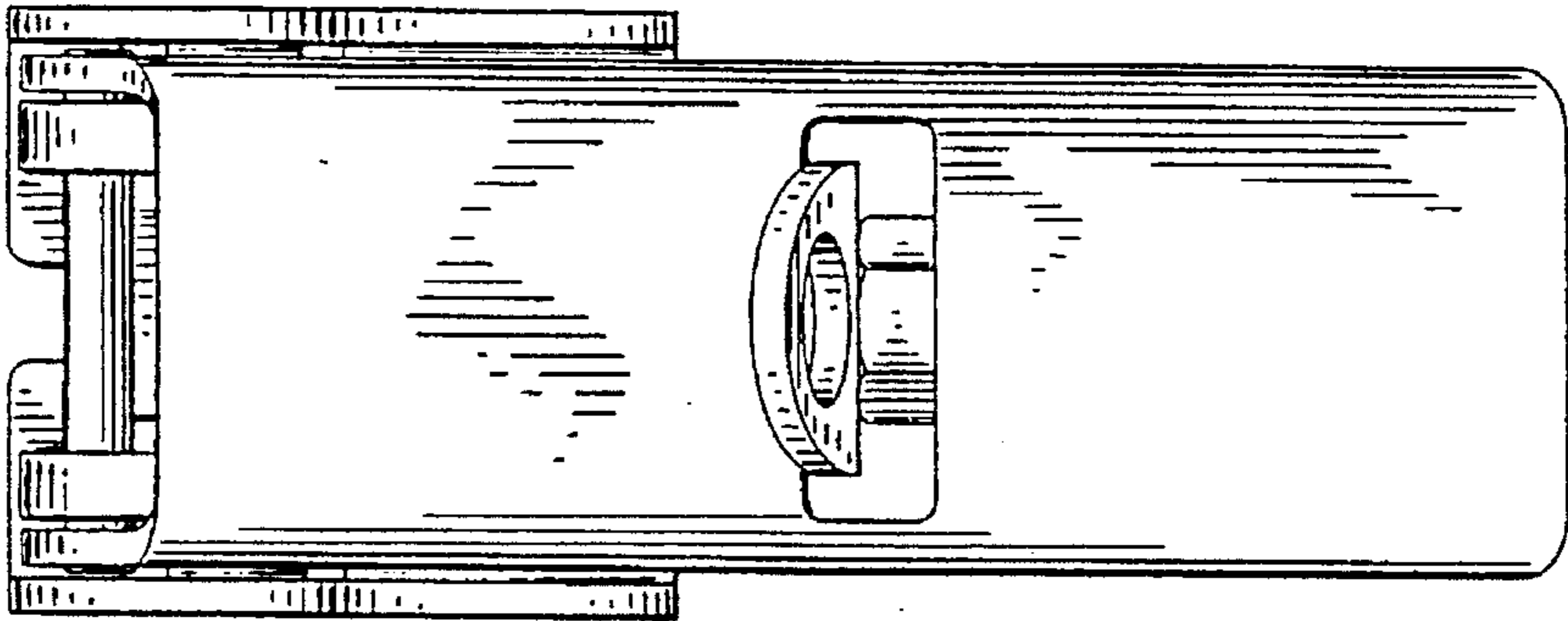


Fig. 1

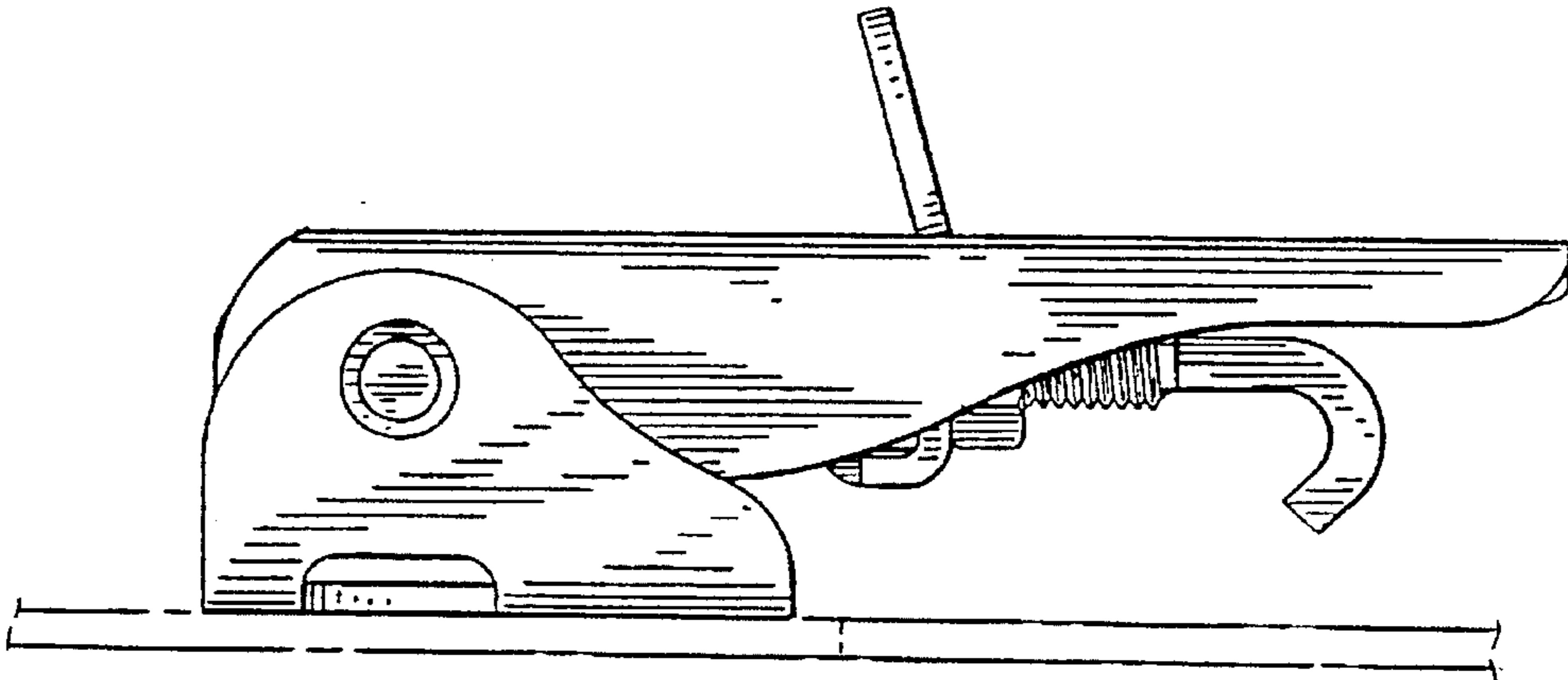


Fig. 2

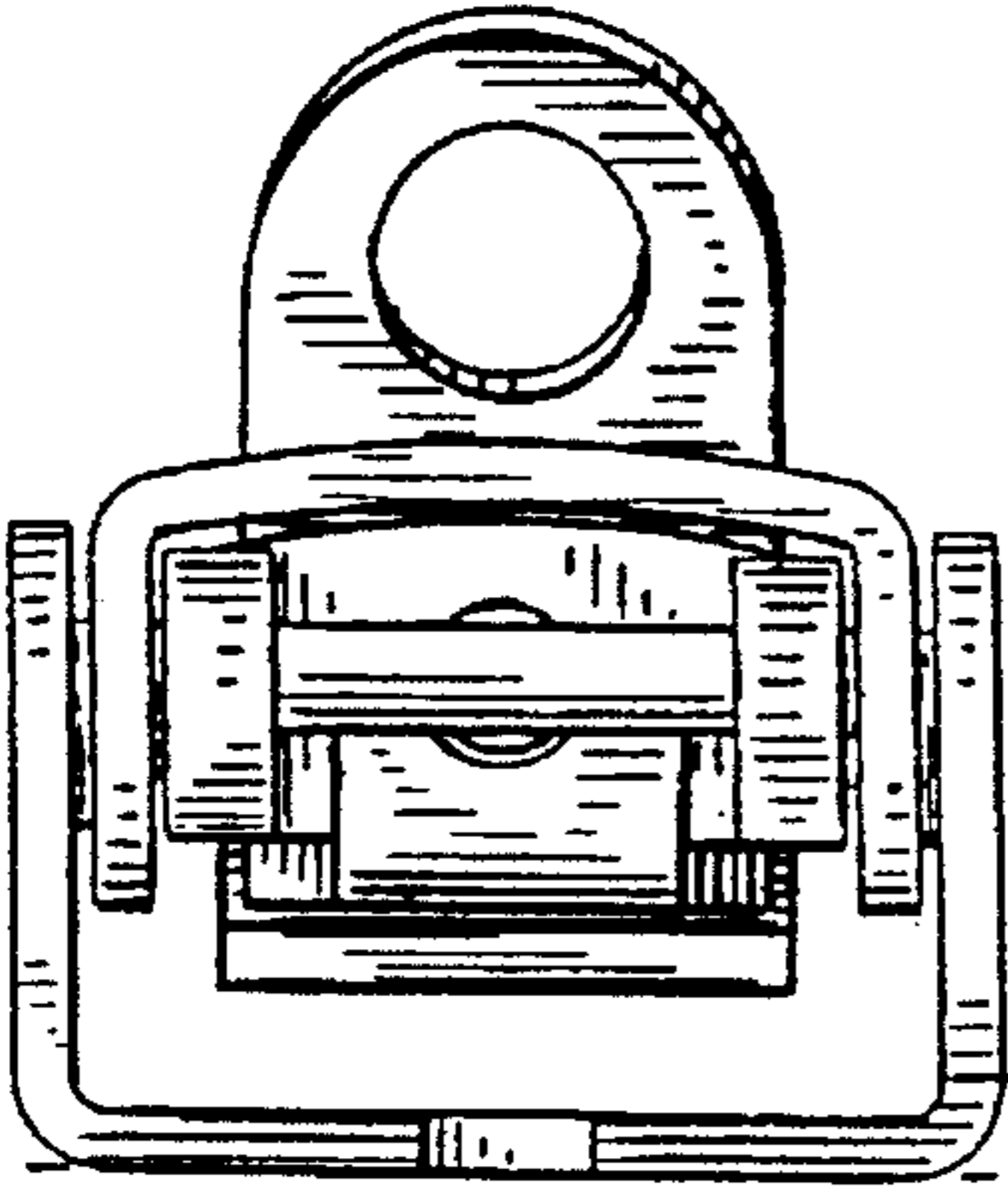


Fig. 4

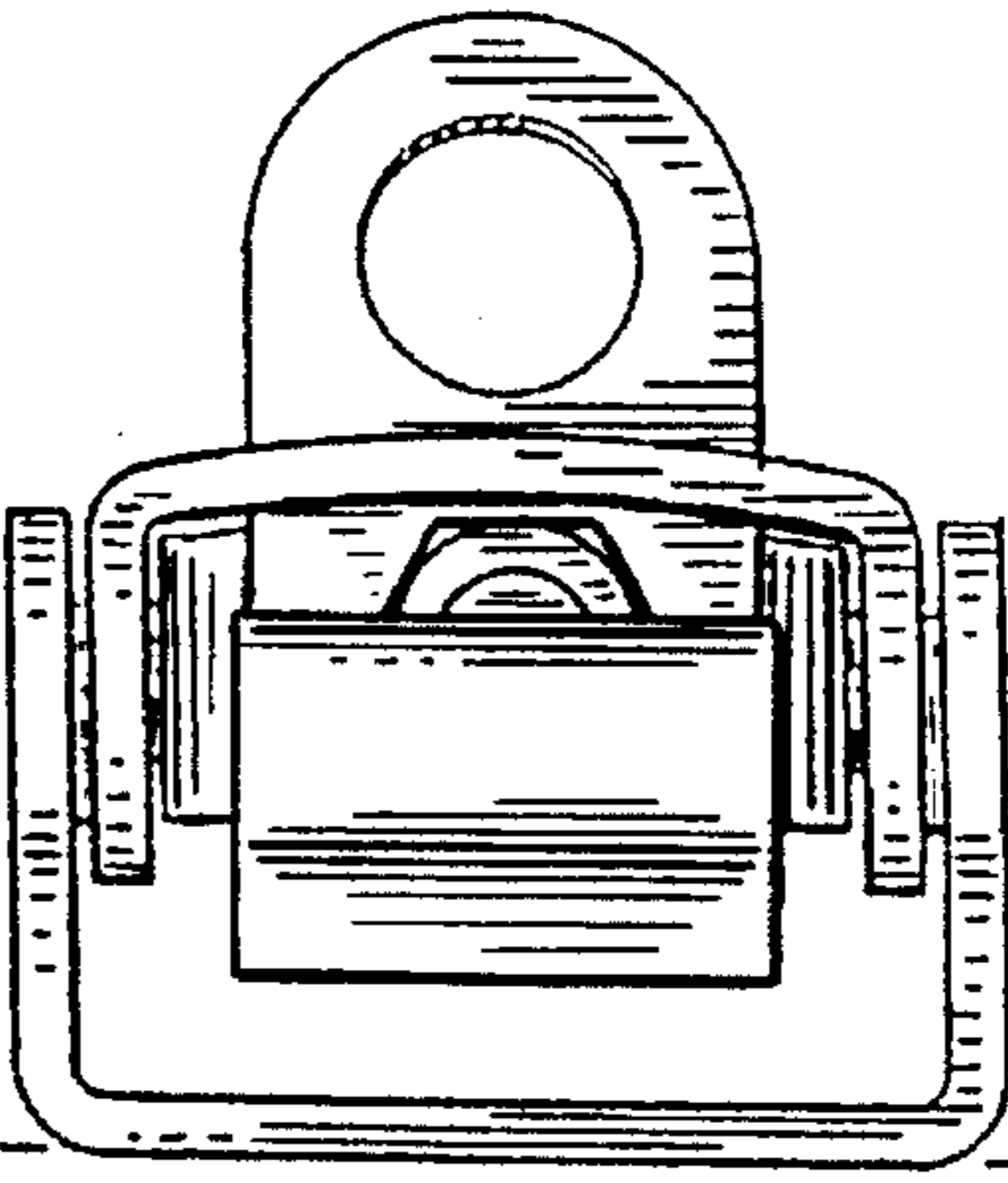


Fig. 3

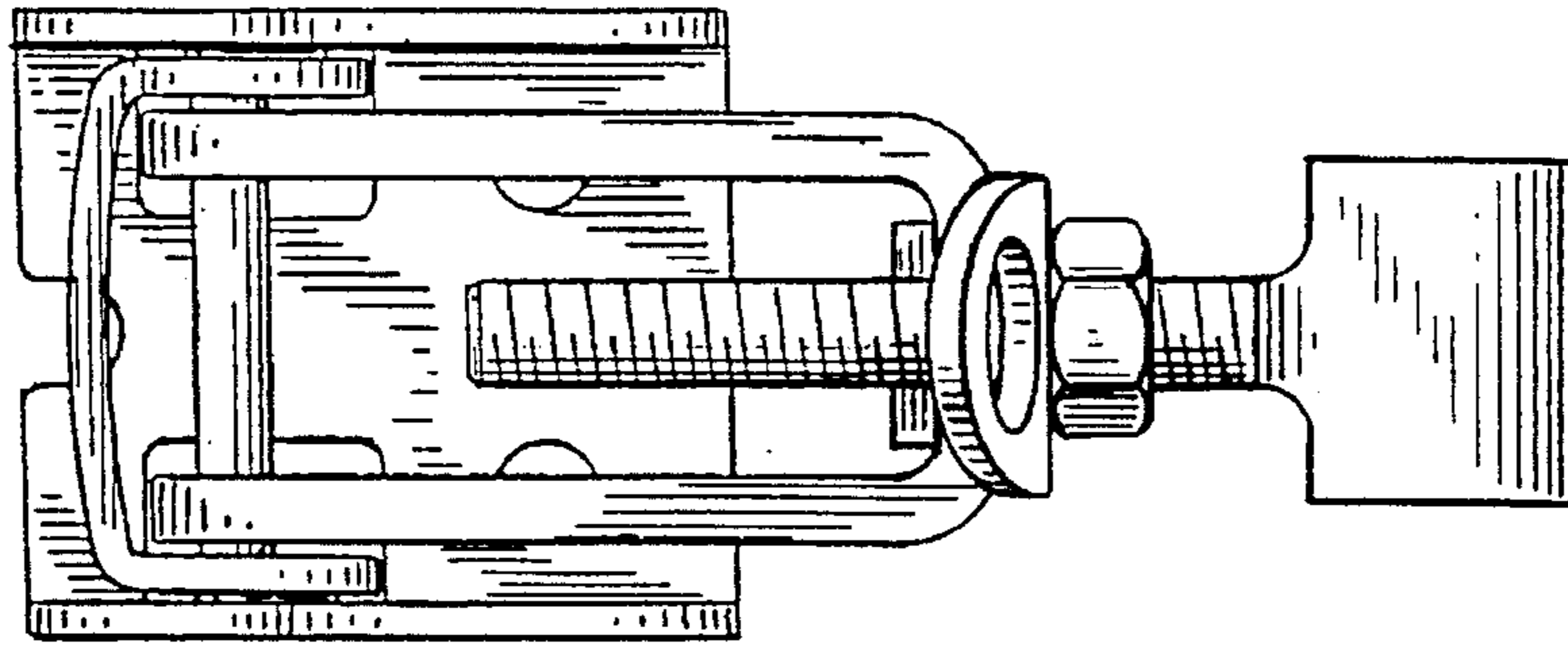


Fig. 5

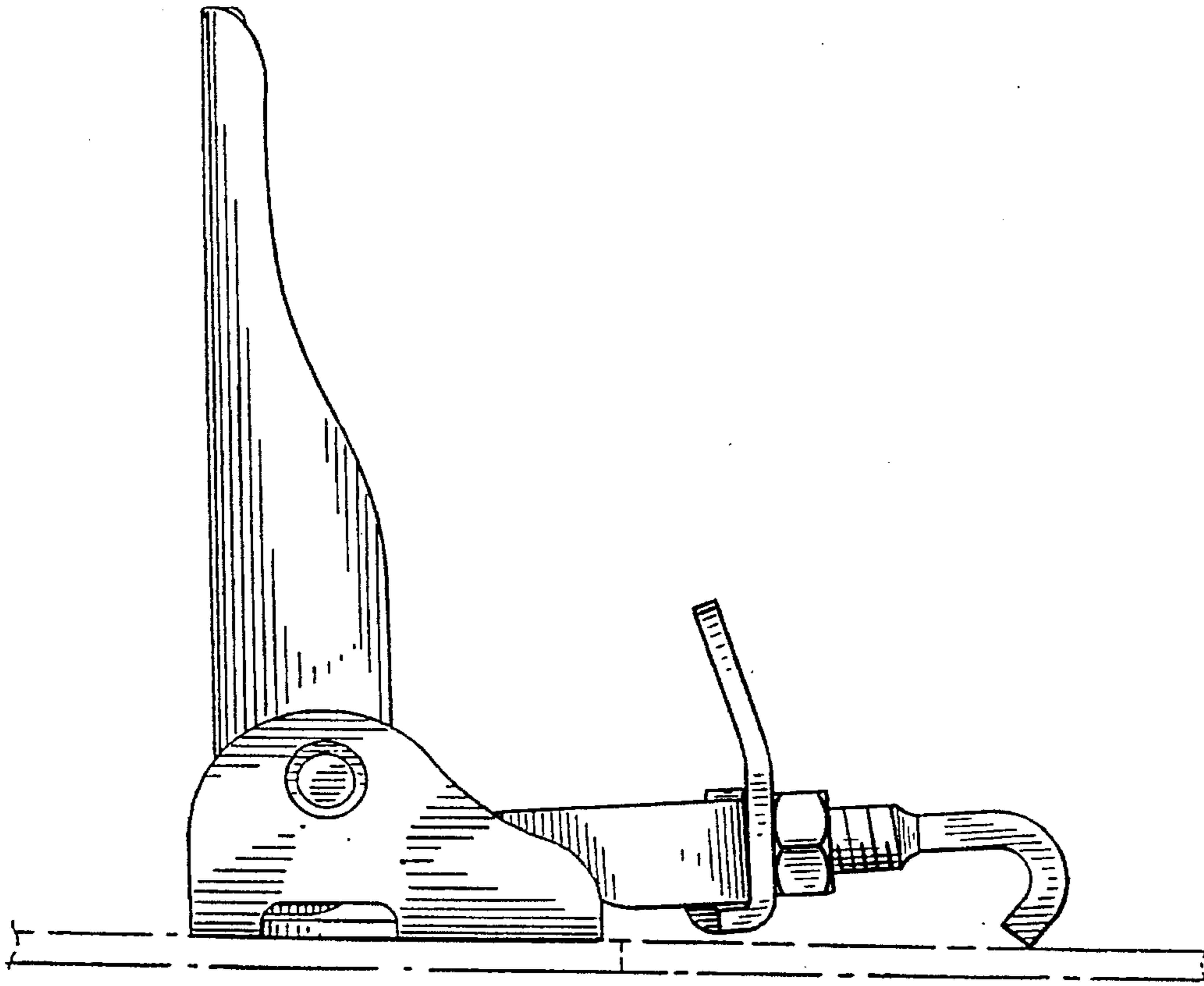


Fig. 6

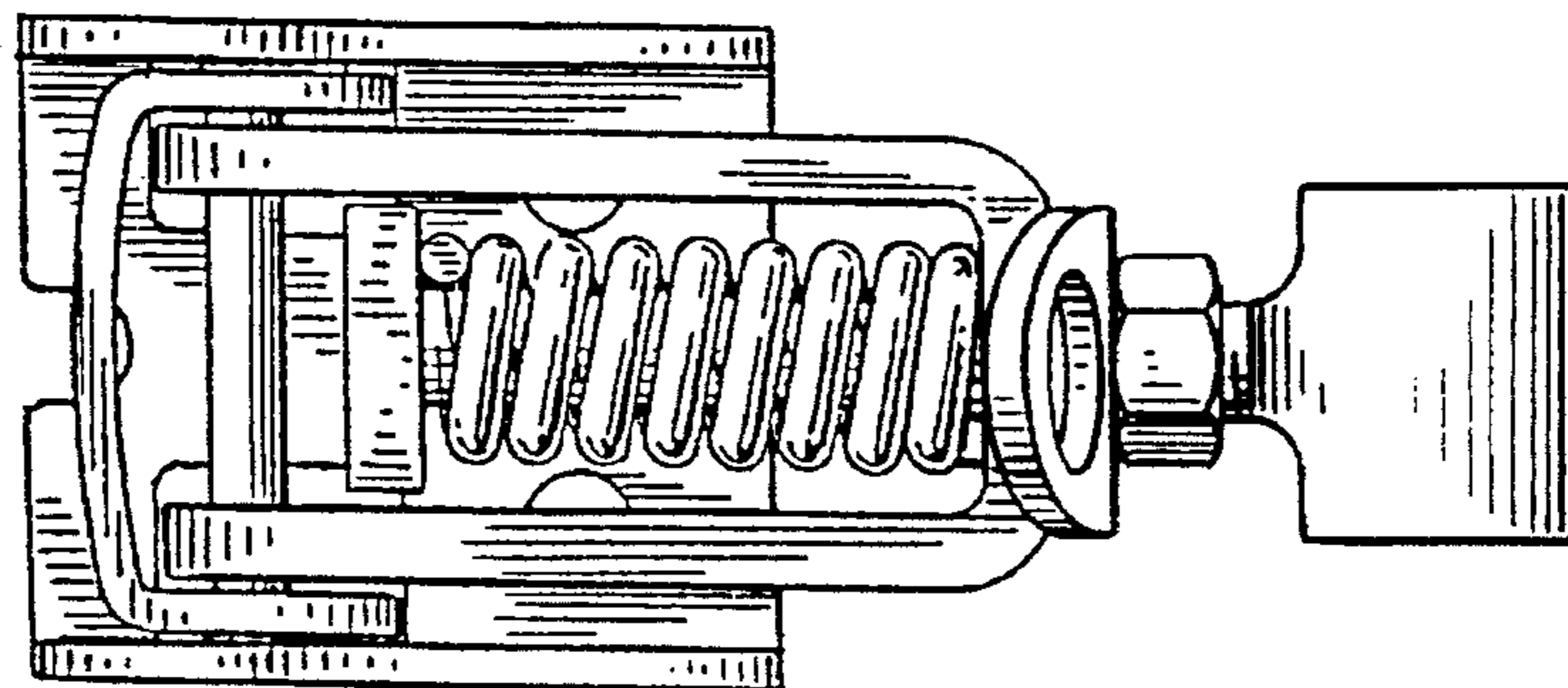


Fig. 7

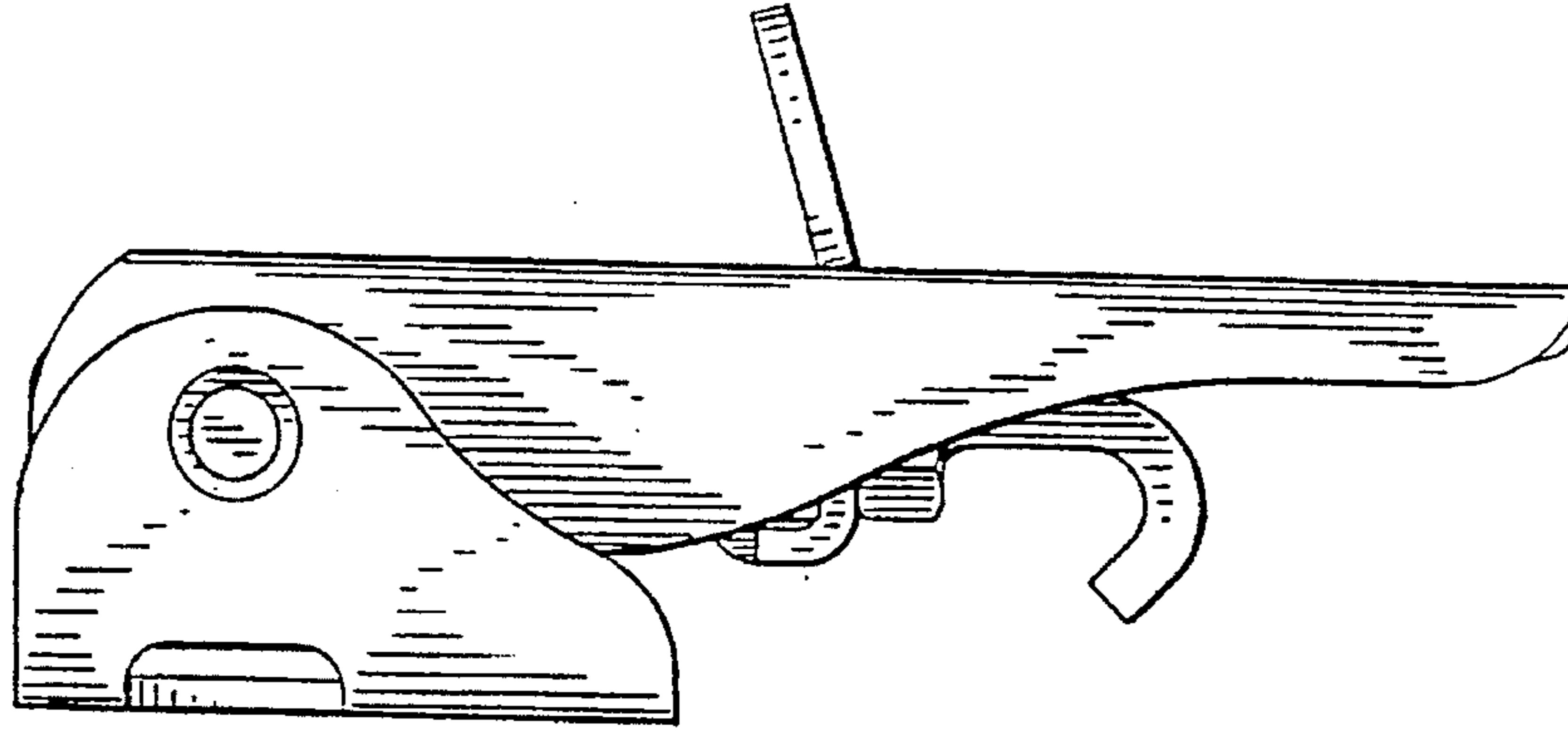


Fig. 8

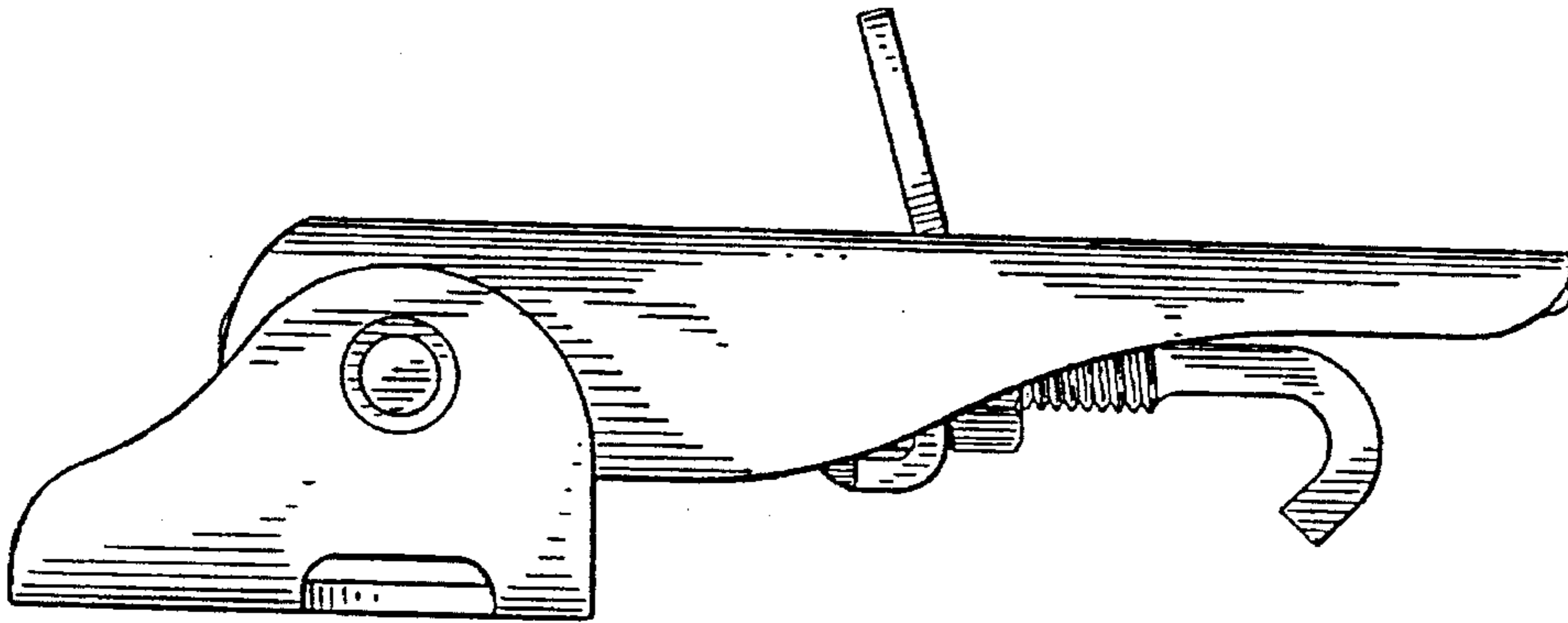


Fig. 9

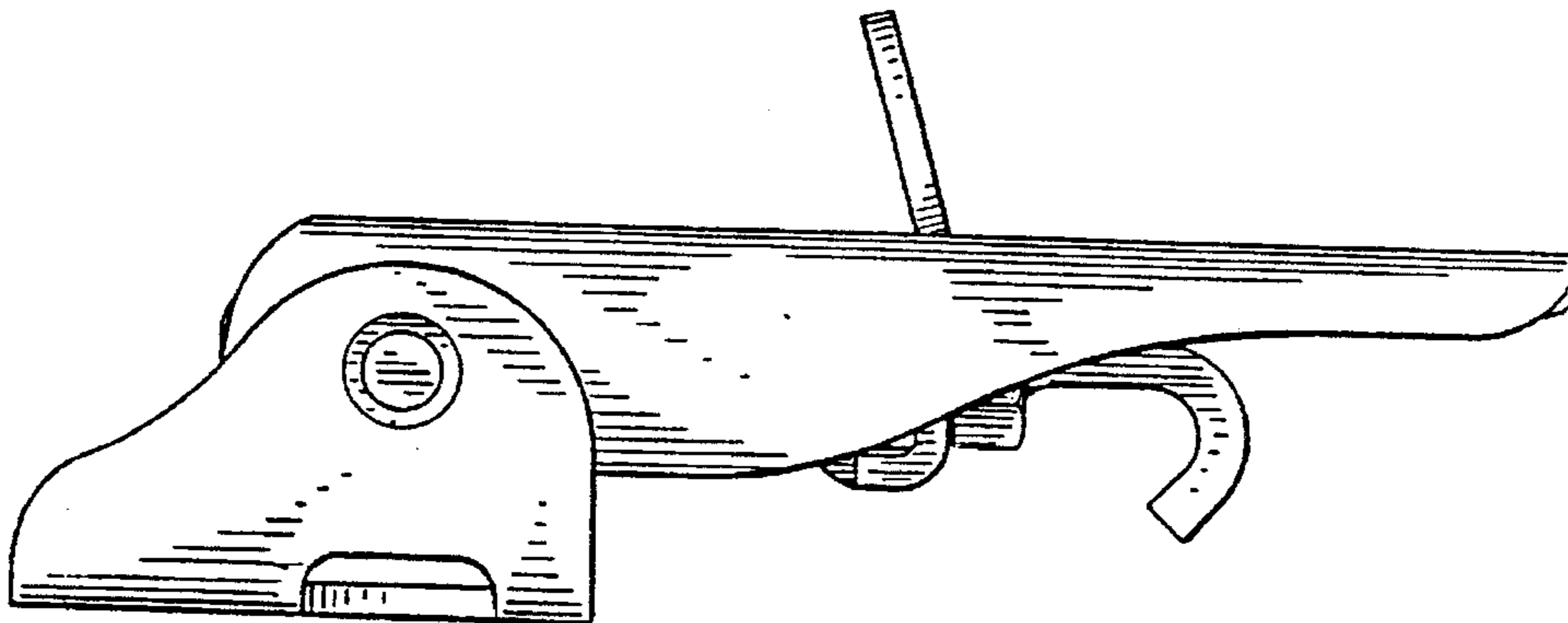


Fig. 10

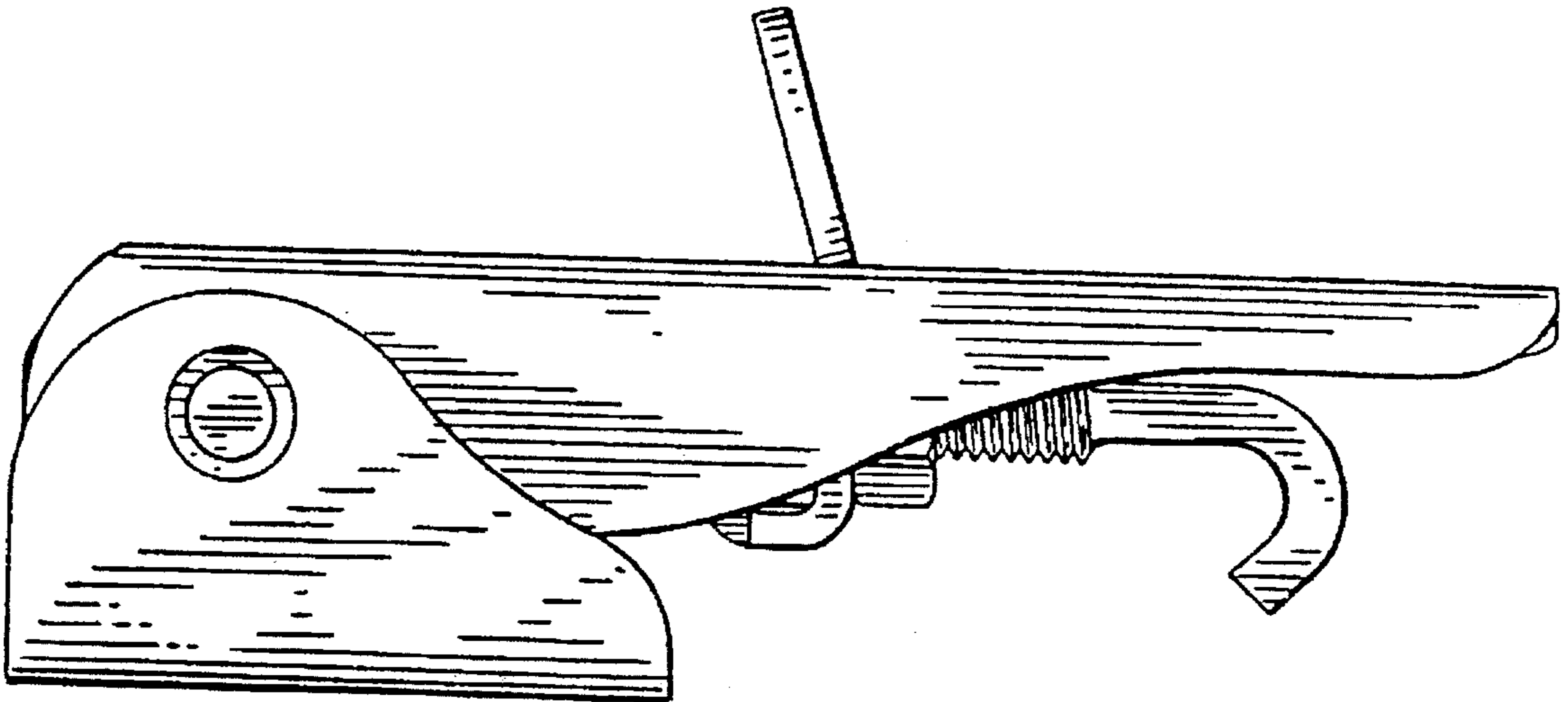


Fig. 11

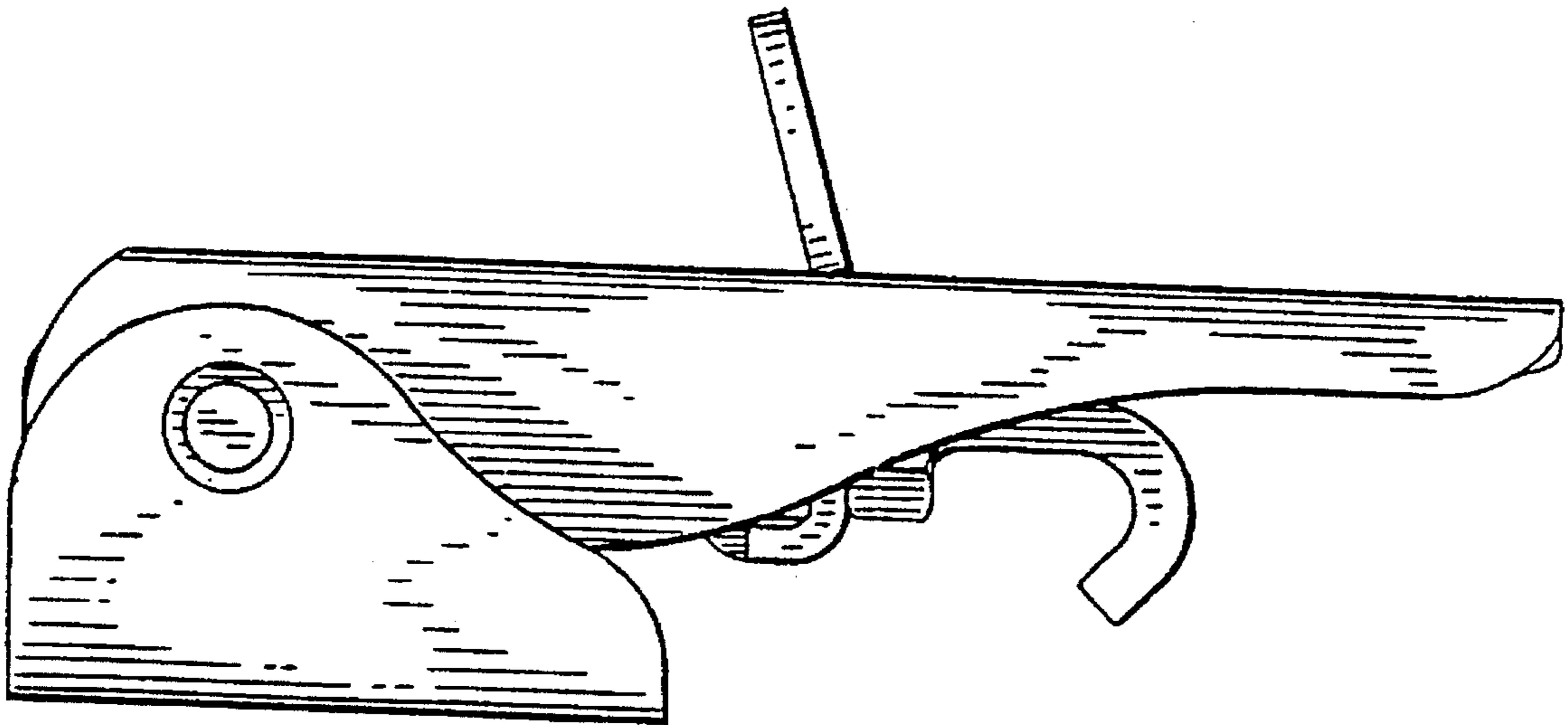


Fig. 12

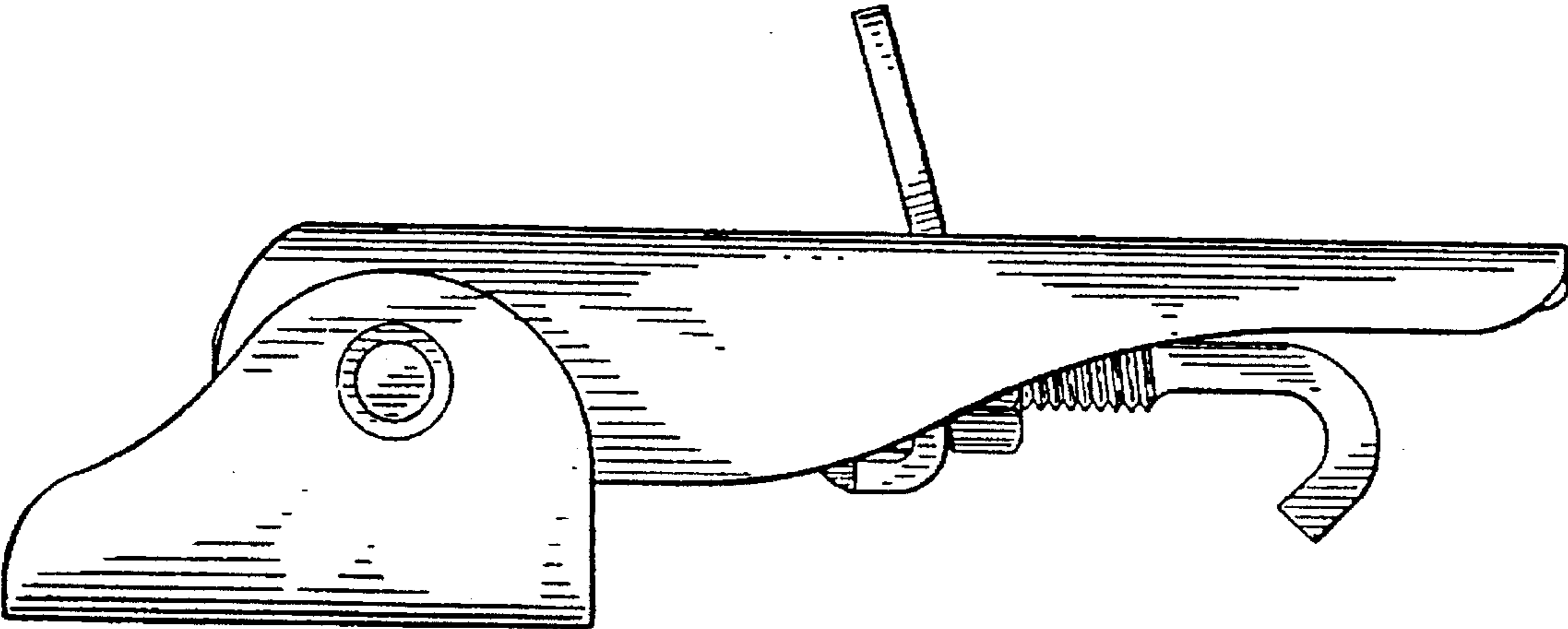


Fig. 13

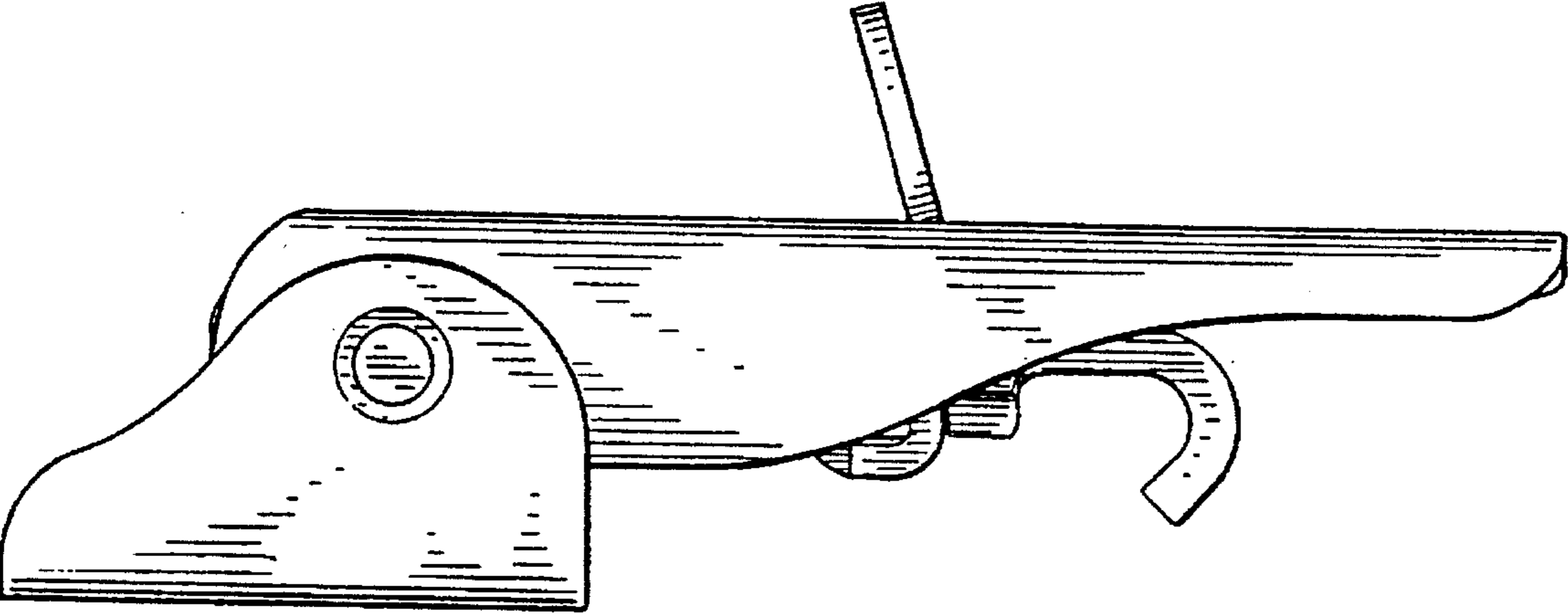


Fig. 14