



US00D374803S

# United States Patent [19]

[11] Patent Number: **Des. 374,803**

Terpstra et al.

[45] Date of Patent: **\*\*Oct. 22, 1996**

[54] **COMPOUND MITER SAW**

[75] Inventors: **Daniel A. Terpstra**, Kirkwood; **David E. Beth**, St. Charles, both of Mo.; **James B. Watson**; **J. Douglas Alsup**, both of Conyers, Ga.; **William J. Saunders**, Lithonia, Ga.

4,934,233 6/1990 Brundage et al. .... 83/397  
 5,046,390 9/1991 Sasaki ..... 83/471.2  
 5,063,805 11/1991 Brundage ..... 83/468.3  
 5,181,448 1/1993 Terpstra ..... 83/468.3  
 5,203,245 4/1993 Terpstra ..... 83/397  
 5,220,857 6/1993 Freeburger ..... D15/133 X  
 5,297,463 3/1994 O'Banion et al. .... 83/397

[73] Assignee: **Emerson Electric Co.**, St. Louis, Mo.

[\*\*] Term: **14 Years**

*Primary Examiner*—B. J. Bullock  
*Assistant Examiner*—Robert M. Spear  
*Attorney, Agent, or Firm*—Polster, Lieder, Woodruff & Lucchesi

[21] Appl. No.: **40,101**

## [57] CLAIM

[22] Filed: **Jun. 9, 1995**

The ornamental design for a compound miter saw, as shown and described.

[52] U.S. Cl. .... **D8/66**; D15/133

[58] Field of Search ..... D8/66, 68; D15/133; 30/388, 389, 390; 83/397, 468.3, 471.1, 471.2, 471.3, 477, 581

## DESCRIPTION

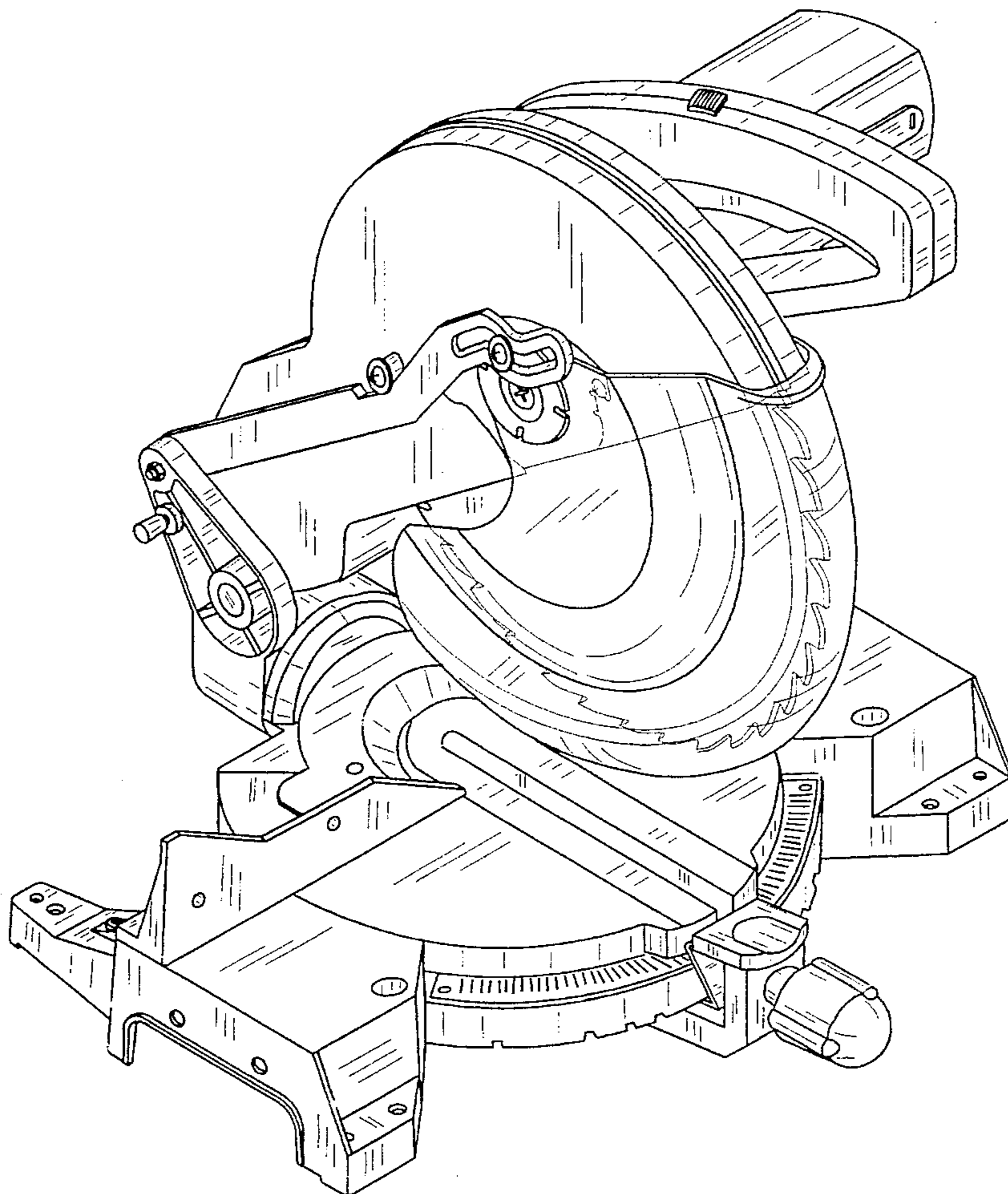
### [56] References Cited

#### U.S. PATENT DOCUMENTS

D. 317,110 5/1991 Arehart ..... D8/66  
 D. 352,948 11/1994 Chang ..... D15/133  
 D. 366,491 1/1996 Chang ..... D15/133  
 3,298,407 1/1967 Scott ..... D15/133 X  
 3,821,918 7/1974 Niehaus et al. .... D8/66 X

FIG. 1 is a front perspective view of our new compound miter saw;  
 FIG. 2 is a front side elevational view thereof;  
 FIG. 3 is a rear side elevational view thereof;  
 FIG. 4 is a left end elevational view thereof;  
 FIG. 5 is an opposite end elevational view thereof;  
 FIG. 6 is a top plan view thereof; and,  
 FIG. 7 is a bottom plan view thereof.

**1 Claim, 7 Drawing Sheets**



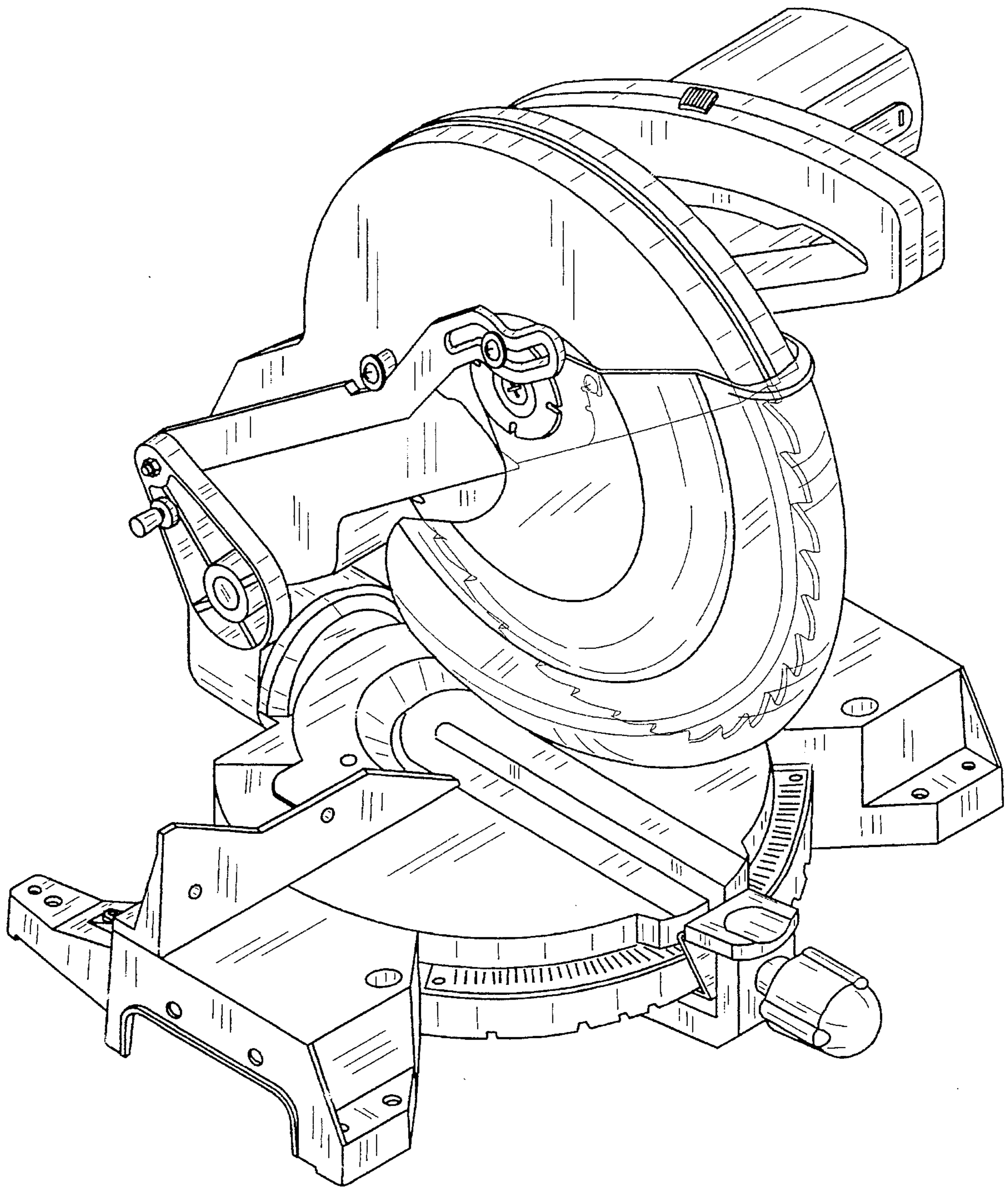


FIG. 1

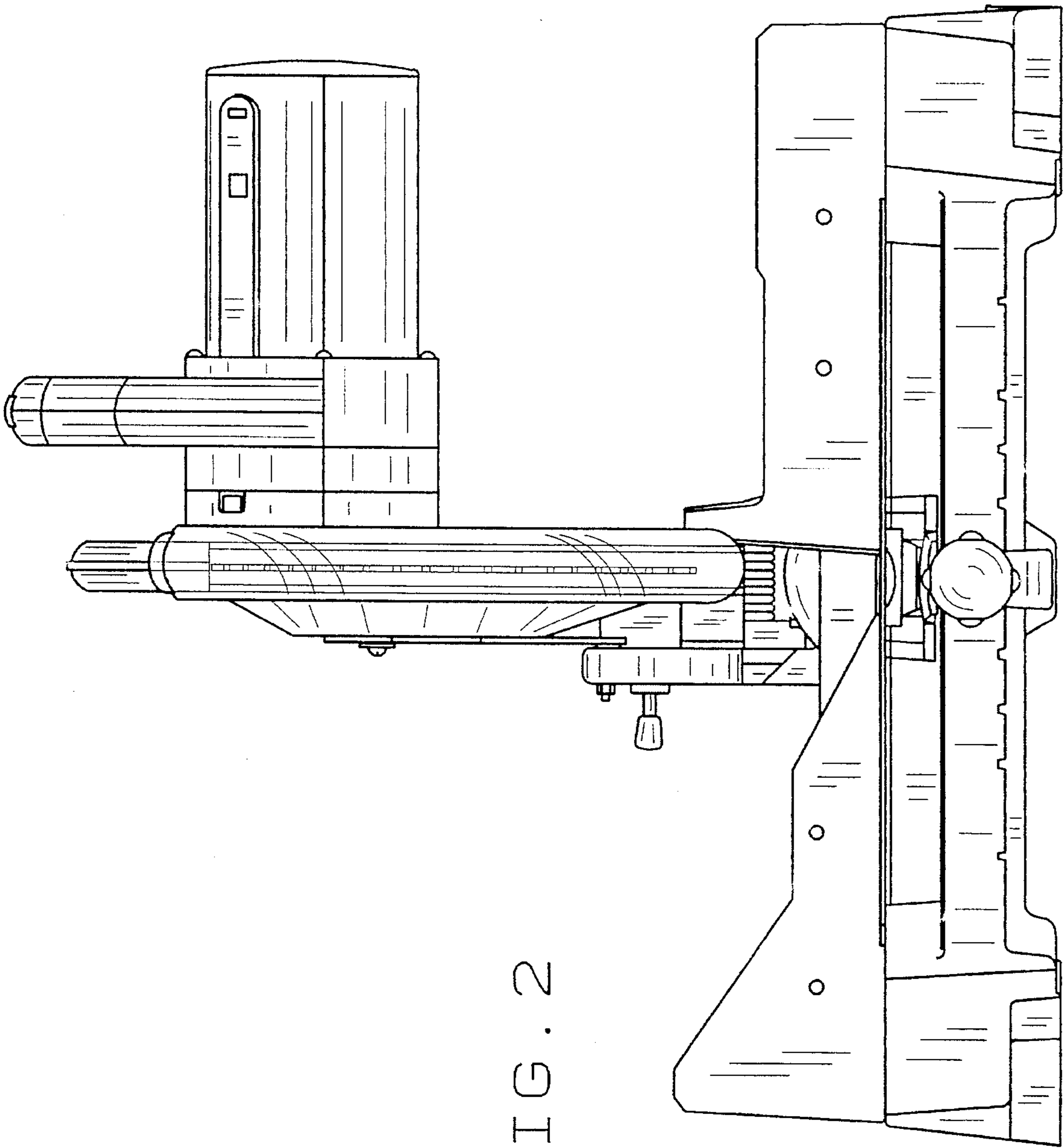


FIG. 2

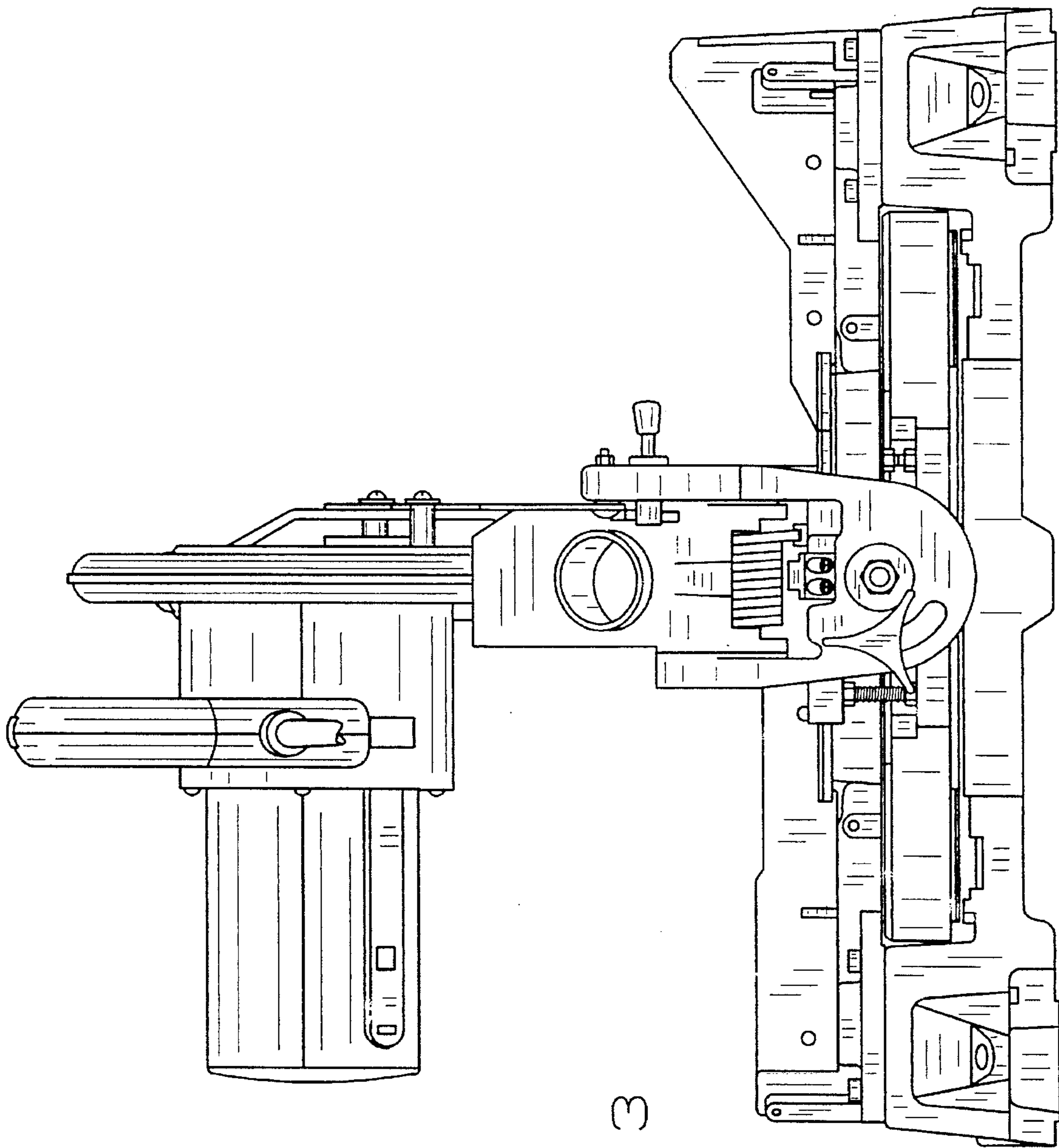
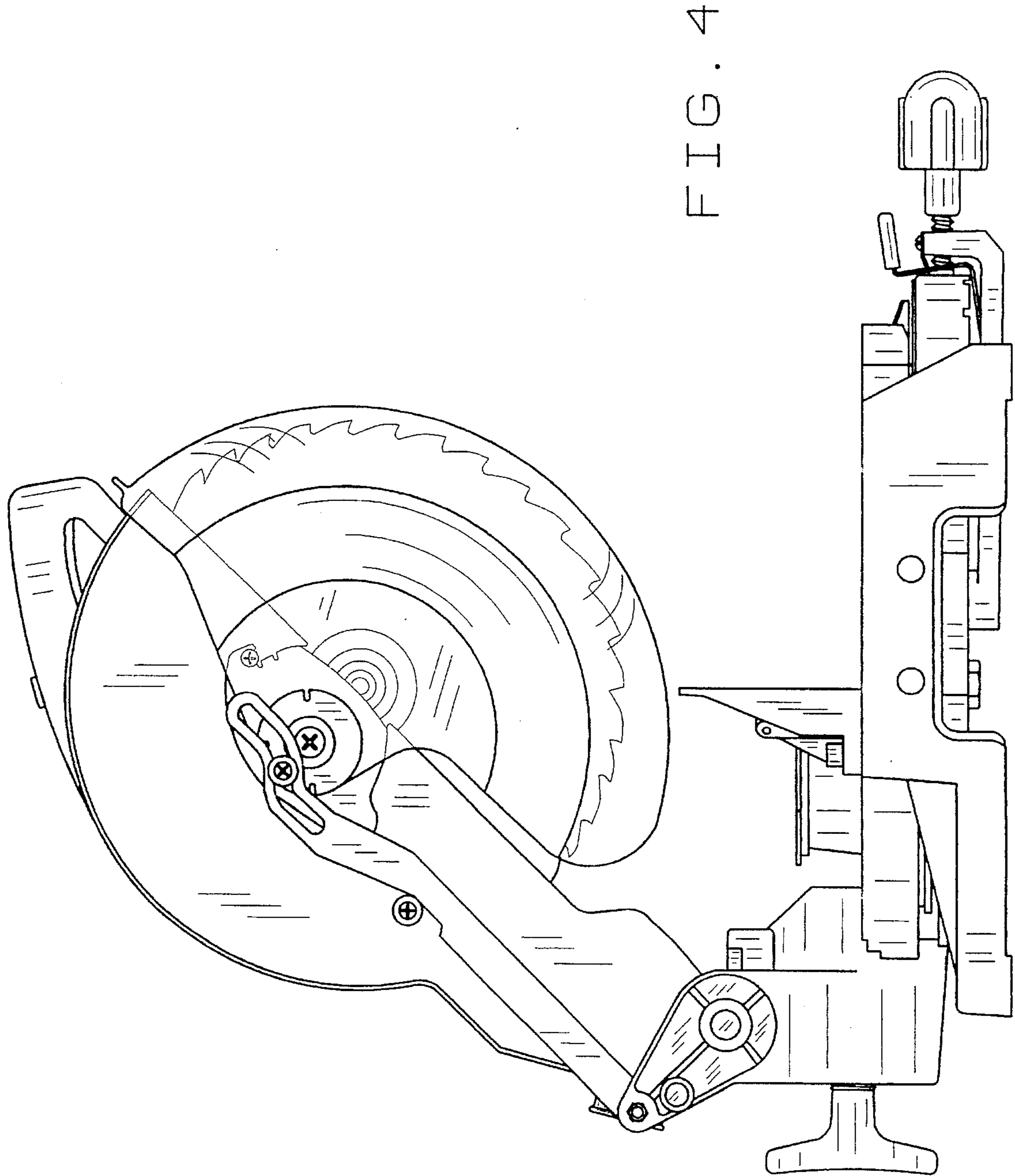


FIG. 3



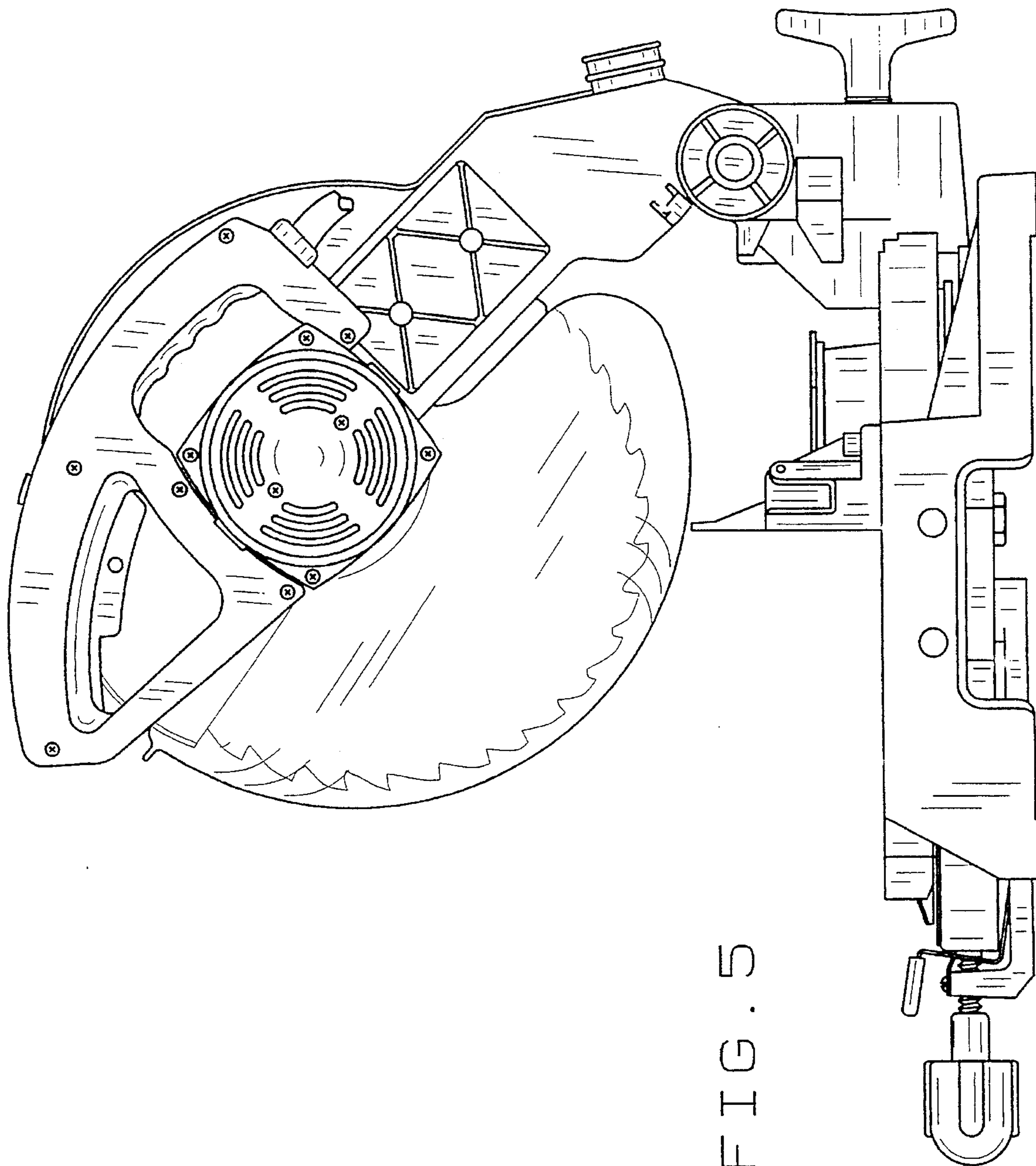


FIG. 5

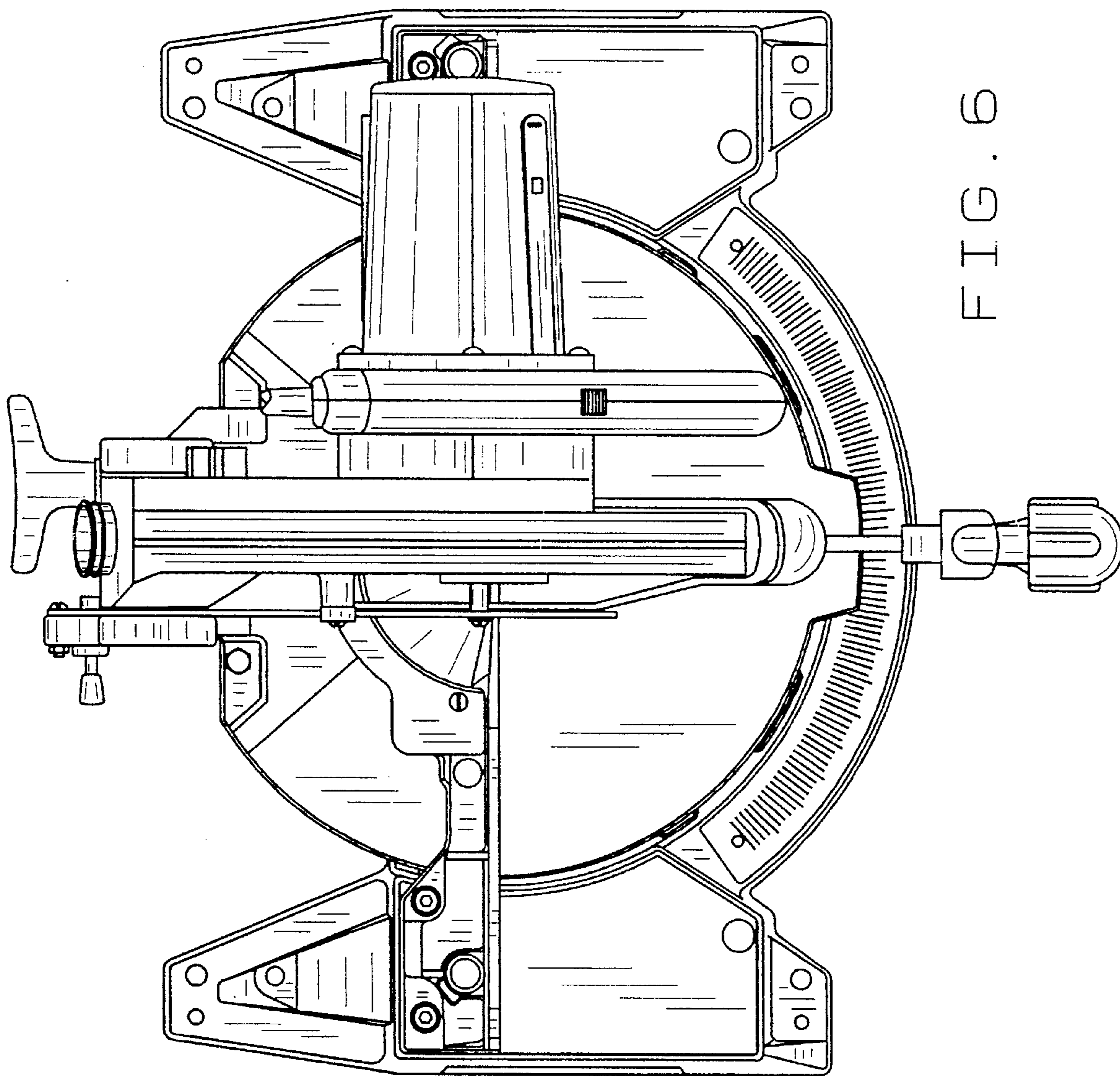


FIG. 6

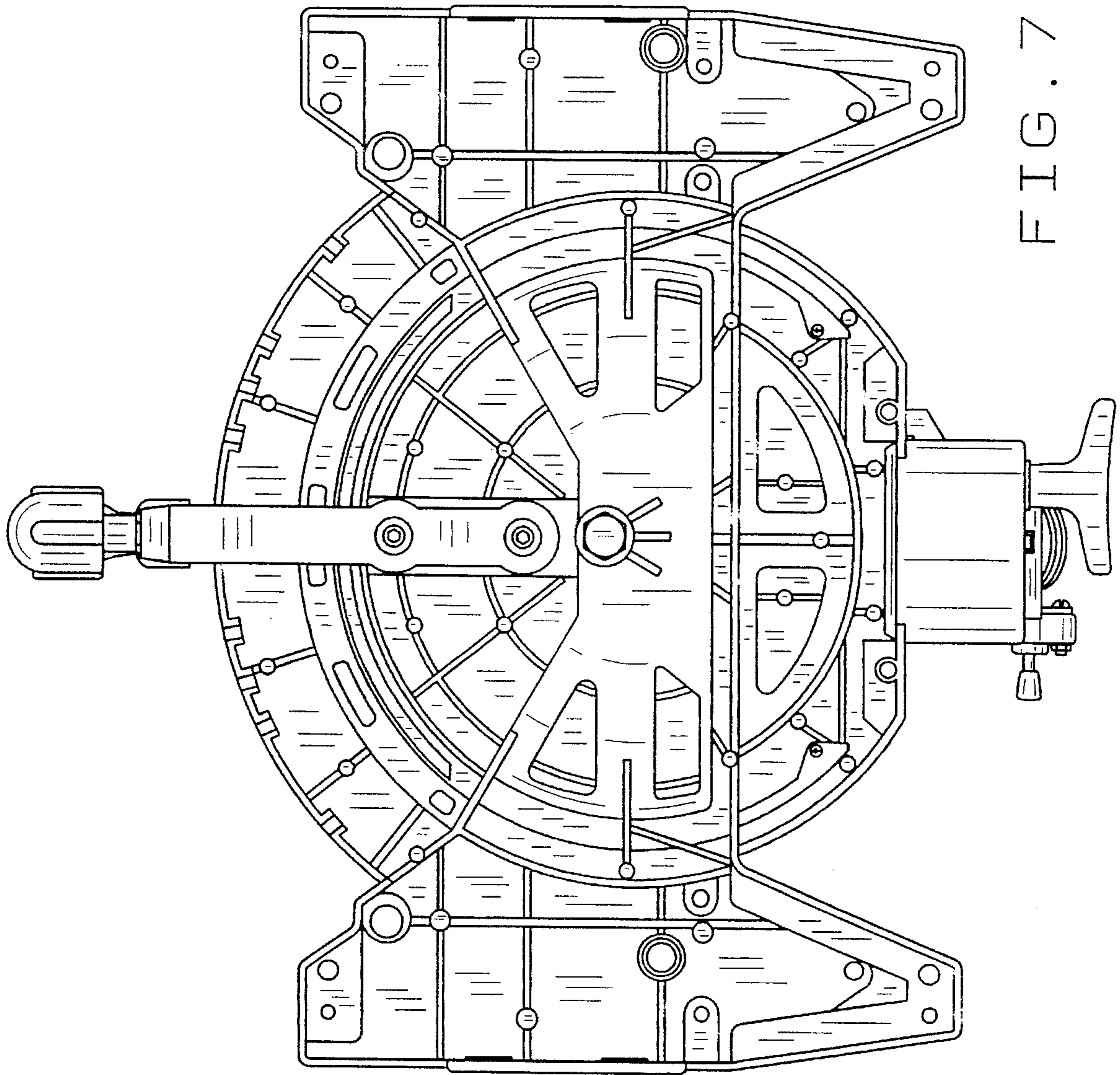


FIG. 7