



US00D374799S

# United States Patent [19]

Simon et al.

[11] Patent Number: Des. 374,799

[45] Date of Patent: \*\*Oct. 22, 1996

[54] CONDIMENT DISPENSER

5,332,111 7/1994 Bowen .  
5,390,814 2/1995 Christine et al. .

[76] Inventors: **Gloria C. Simon; Frank M. Simon,**  
both of 876 Pinnacle Cir., Lewisville,  
Tex. 75067

### FOREIGN PATENT DOCUMENTS

856576 11/1970 Canada .

[\*\*] Term: 14 Years

Primary Examiner—Terry A. Wallace  
Attorney, Agent, or Firm—Stephen R. Greiner

[21] Appl. No.: 48,152

### [57] CLAIM

[22] Filed: Dec. 21, 1995

The ornamental design for a condiment dispenser, as shown and described.

[52] U.S. Cl. .... D7/590; D9/520

[58] Field of Search ..... D7/589, 590; D9/520;  
215/395; 222/173, 181.1, 184, 185.1; 248/311.3;  
141/106, 363, 364

### DESCRIPTION

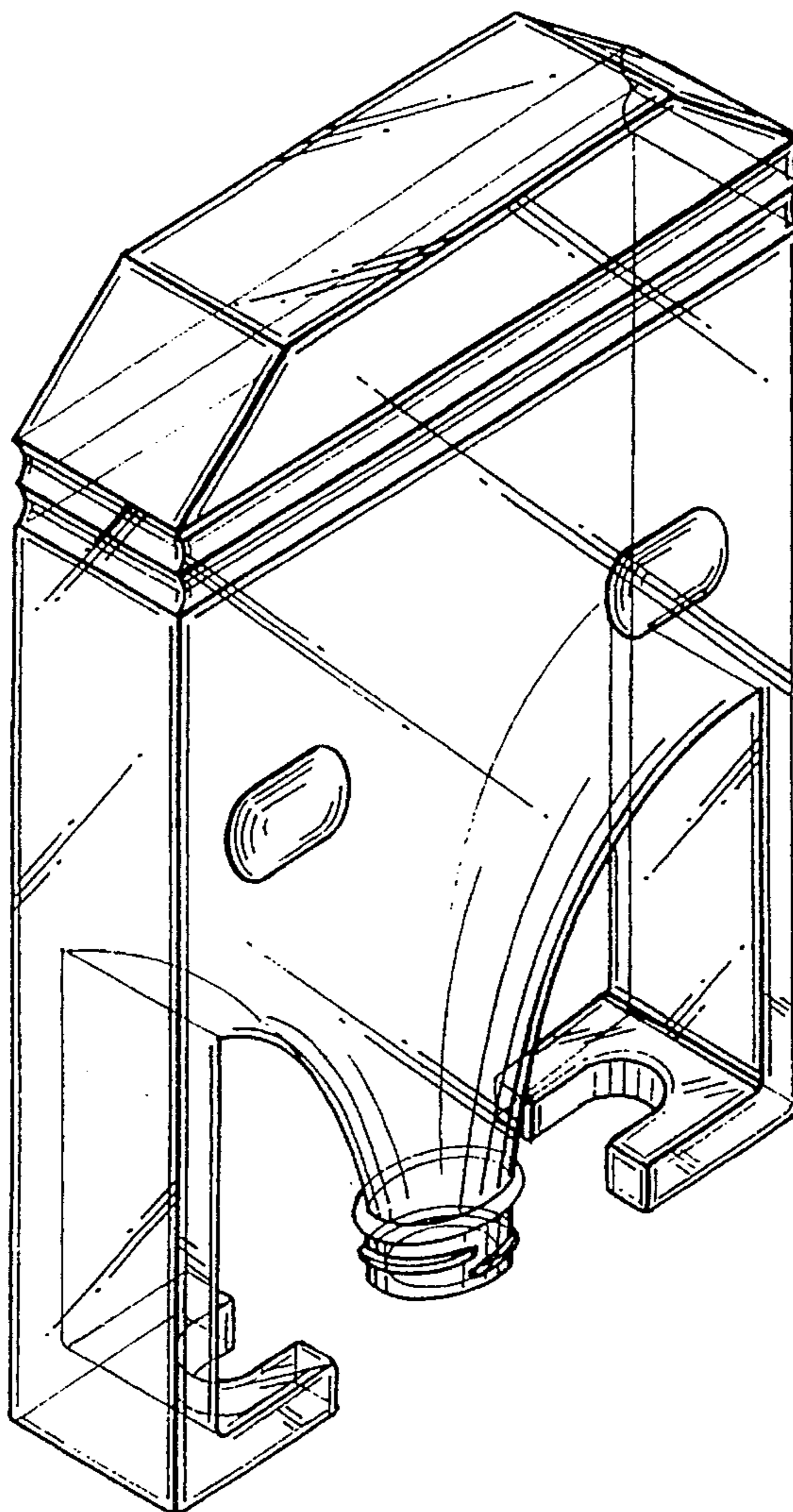
### [56] References Cited

#### U.S. PATENT DOCUMENTS

D. 321,130	10/1991	Goberman	.....	D9/520
2,189,454	2/1946	Thomas	.	
3,162,331	12/1964	Hutchins et al.	.	
3,191,806	6/1965	Schultz et al.	.....	D9/520 X
4,271,878	6/1981	Bologa	.	
5,065,966	11/1991	Hartke	.	
5,149,041	9/1992	Hartke	.	

FIG. 1 is a perspective view of a condiment dispenser showing our new design;  
FIG. 2 is a front elevational view thereof;  
FIG. 3 is a rear elevational view thereof;  
FIG. 4 is a top view thereof;  
FIG. 5 is a right side elevational view with the left side being a mirror image thereof; and,  
FIG. 6 is a bottom view thereof.

1 Claim, 3 Drawing Sheets



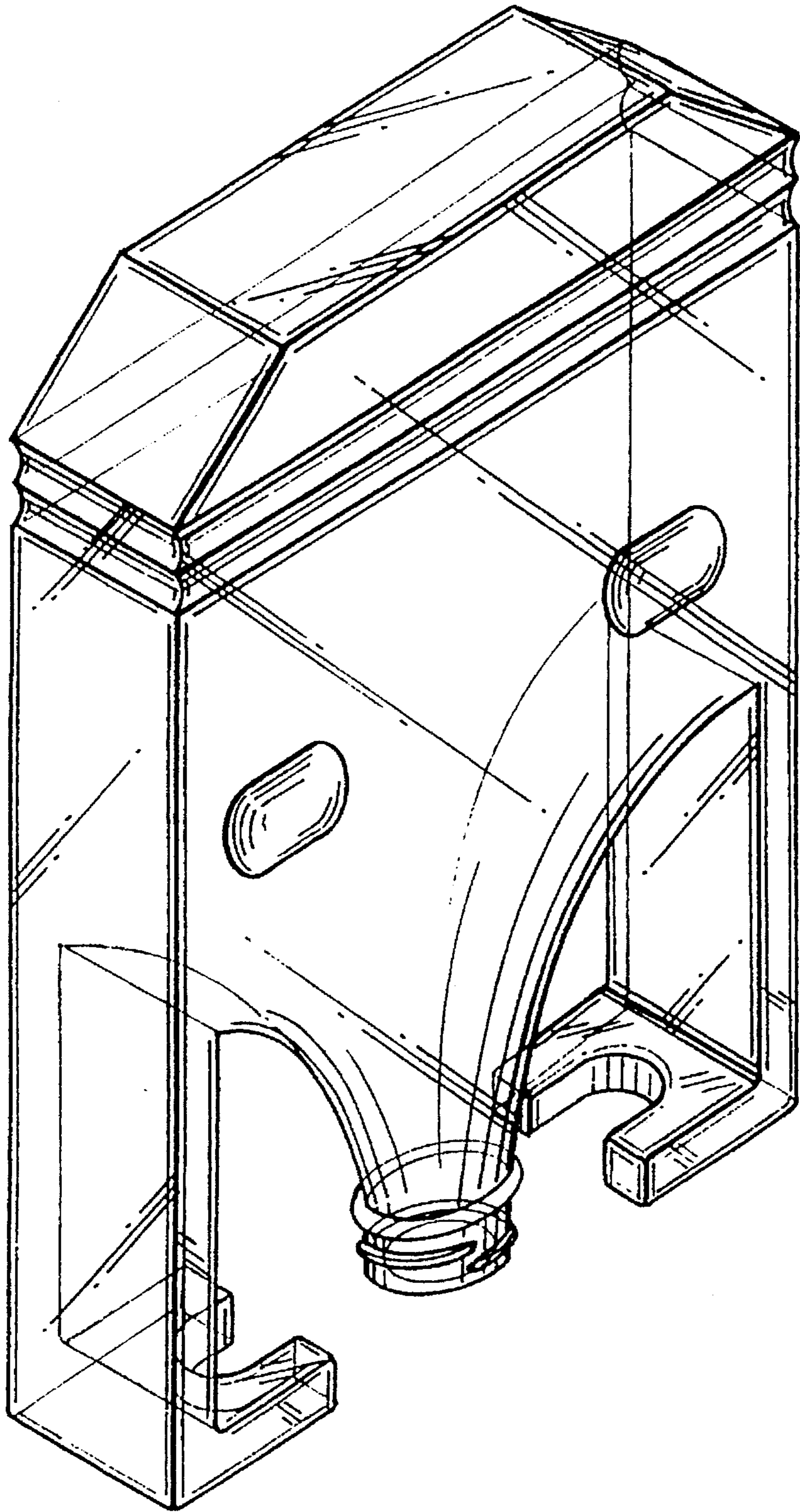


FIG. 1

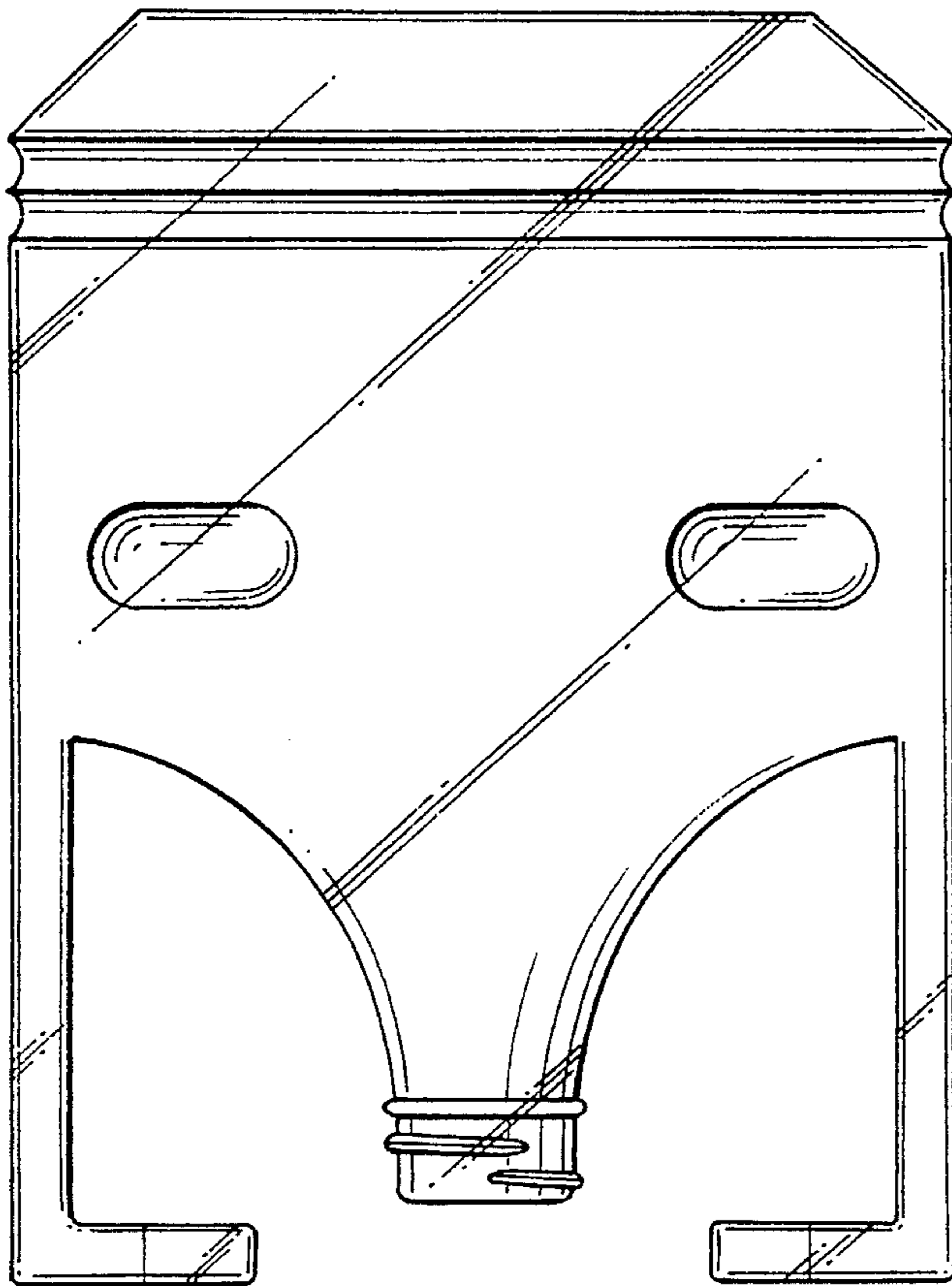


FIG. 2

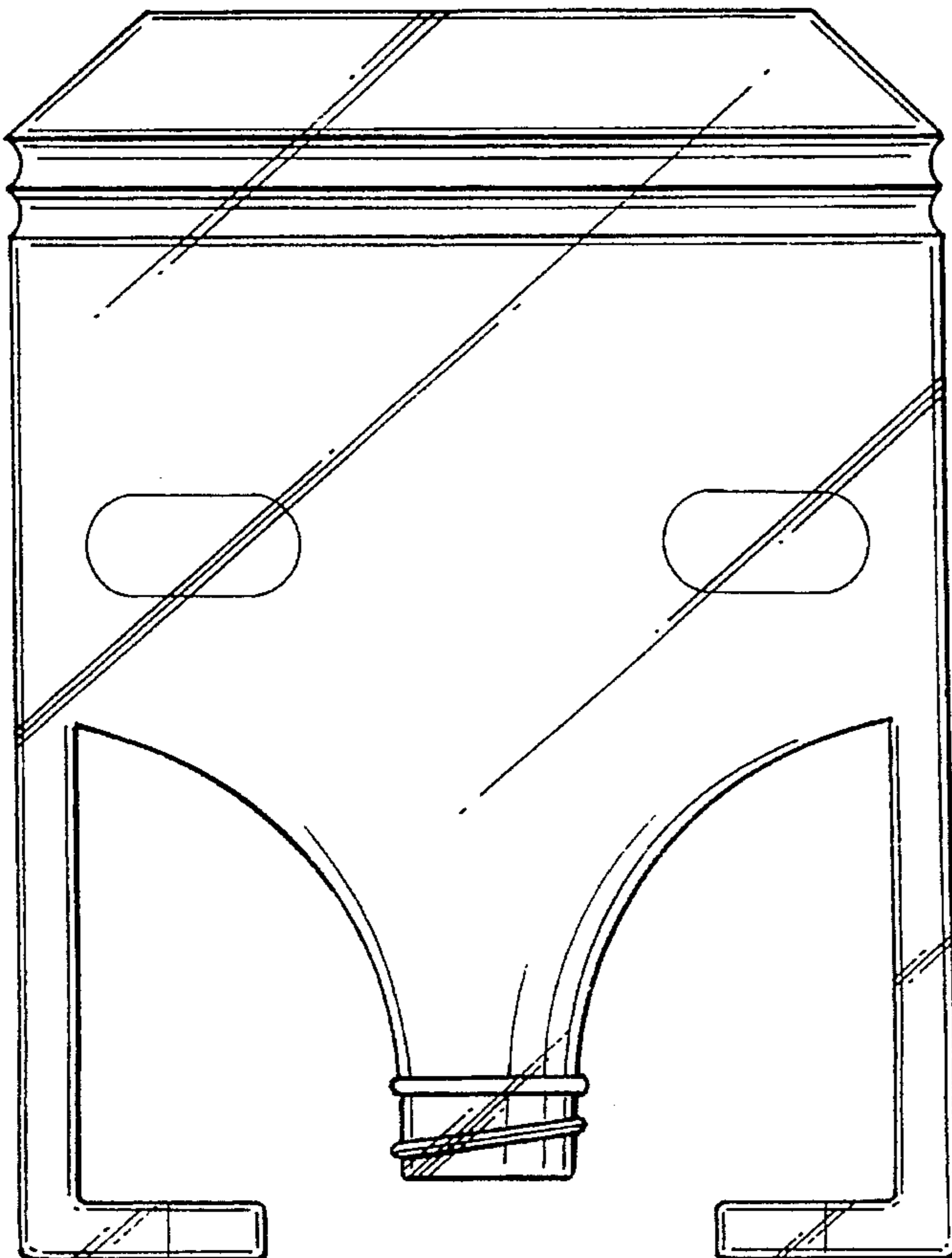


FIG. 3

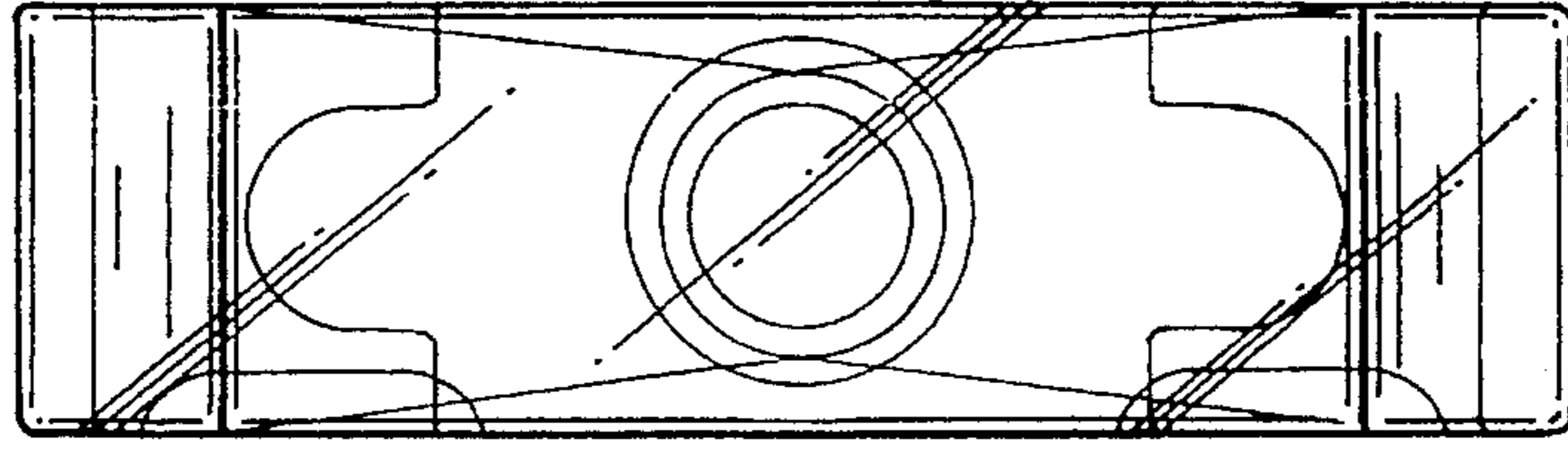


FIG. 4

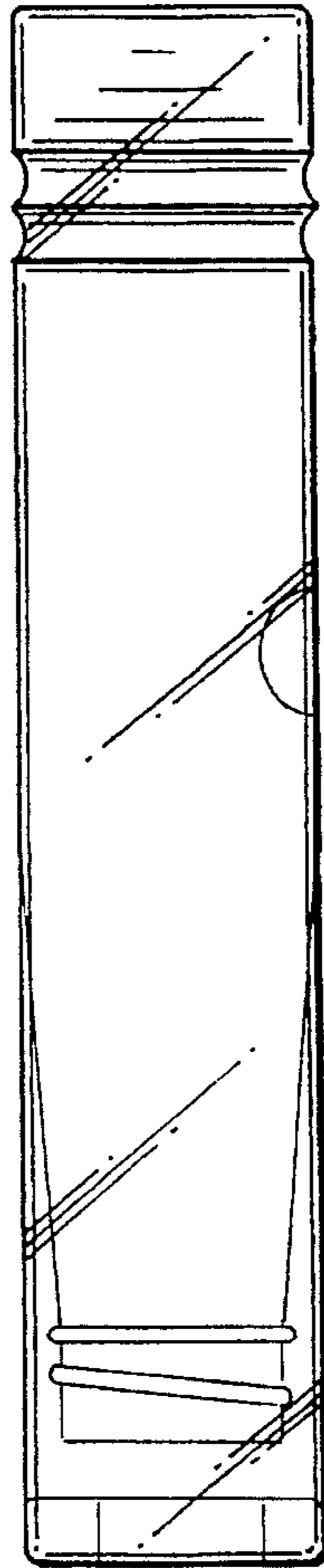


FIG. 5

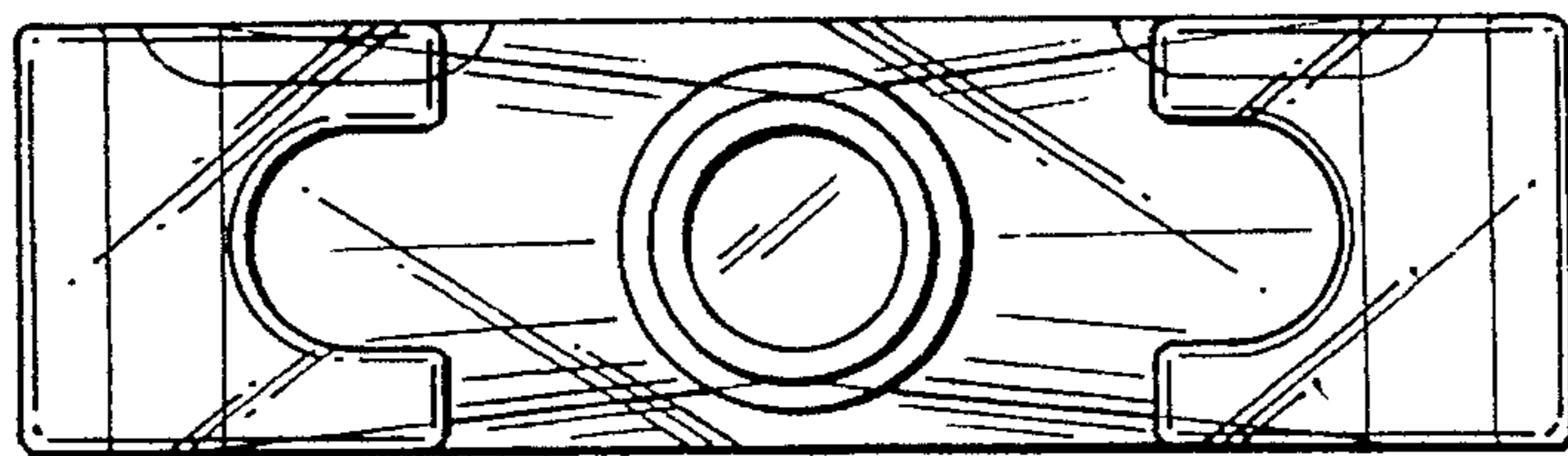


FIG. 6