



US00D374797S

United States Patent [19]

Squire et al.

[11] Patent Number: **Des. 374,797**

[45] Date of Patent: ****Oct. 22, 1996**

[54] **FLUIDS CONTAINER**

[75] Inventors: **Warner Squire**, West Palm Beach, Fla.;
Oliver C. Clerc, Jr., St. Louis, Mo.

[73] Assignee: **Mirax Chemical Products Corporation**, St. Louis, Mo.

[**] Term: **14 Years**

[21] Appl. No.: **35,413**

[22] Filed: **Feb. 27, 1995**

[52] U.S. Cl. **D7/515**; D7/510

[58] Field of Search D7/300.1, 300.2,
D7/506, 507, 509, 510, 511, 512, 513,
514, 515, 523, 529, 530, 619, 622, 623,
700, 301; D9/307; 215/398, 388; D14/191,
192; D3/215, 229

[56] **References Cited**

U.S. PATENT DOCUMENTS

- D. 242,489 11/1976 Burroughs D7/700 X
- D. 266,562 10/1982 Hattori D14/192
- D. 271,215 11/1983 Hinkle D7/700 X
- D. 283,816 5/1986 Cutler D14/191 X

- D. 284,468 7/1986 Matras D9/307 X
- D. 307,012 4/1990 Berkheij D14/191 OR
- D. 321,880 11/1991 Emmerling D14/192
- D. 329,174 9/1992 Patterson D7/510 X
- D. 359,881 7/1995 Hampton D7/507
- 5,088,948 2/1992 Scheurer 215/388 X

Primary Examiner—Nelson C. Holtje
Assistant Examiner—M. N. Pandozzi
Attorney, Agent, or Firm—Paul M. Denk

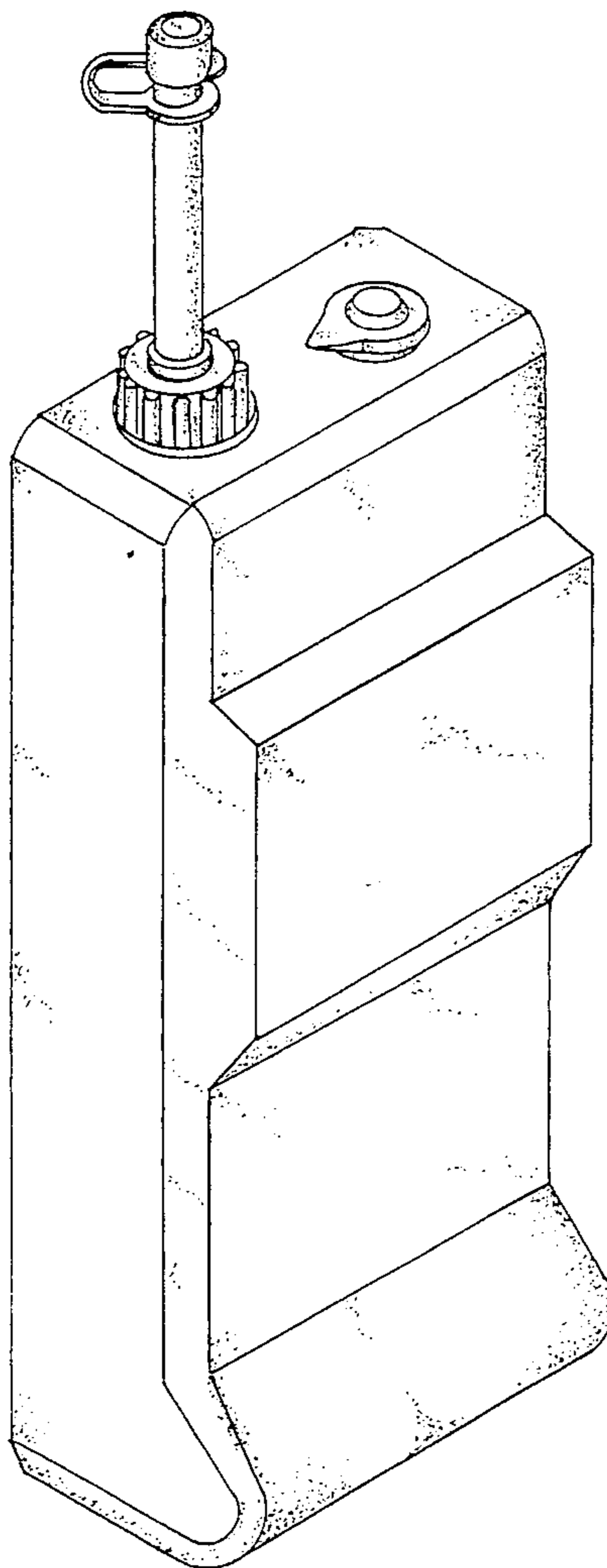
[57] **CLAIM**

The ornamental design for a fluids container, as shown and described.

DESCRIPTION

FIG. 1 is an isometric view of the fluids container of this invention;
FIG. 2 is a right side view thereof;
FIG. 3 is a back view thereof;
FIG. 4 is a left side view thereof;
FIG. 5 is a front view thereof;
FIG. 6 is a top plan view; and,
FIG. 7 is a bottom view thereof.

1 Claim, 3 Drawing Sheets



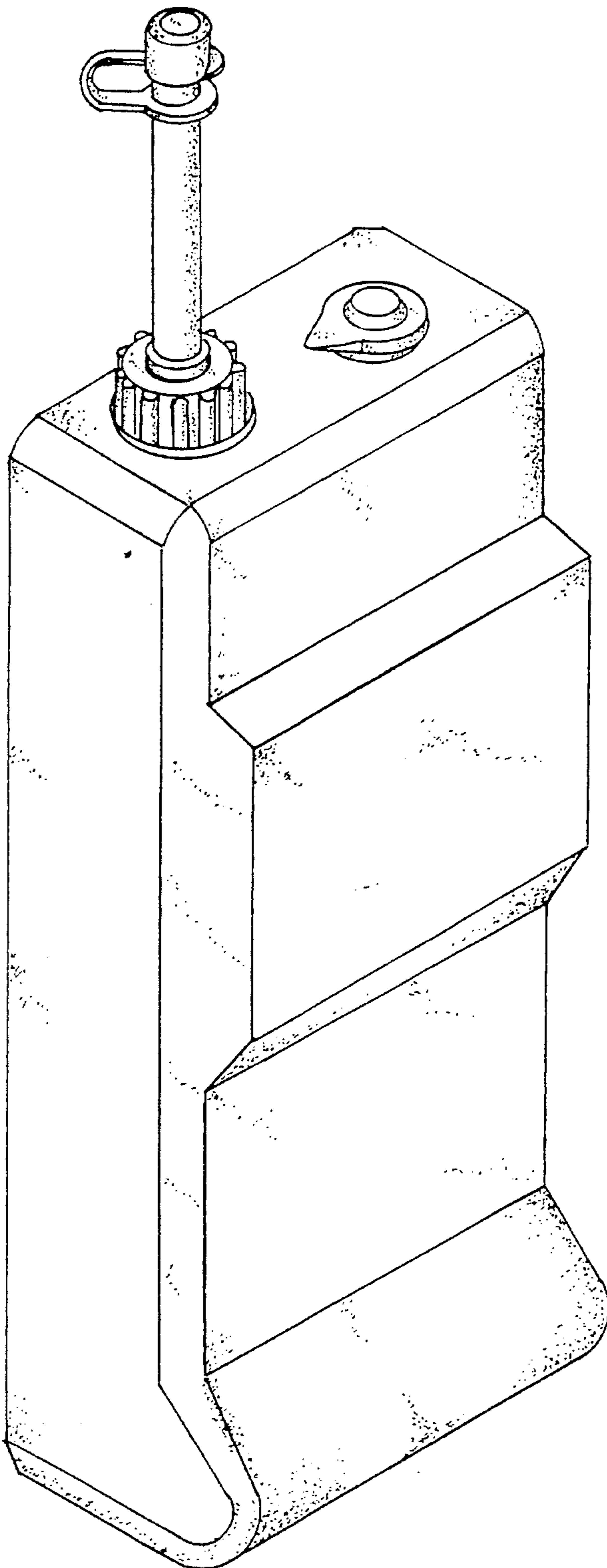


FIG. 1

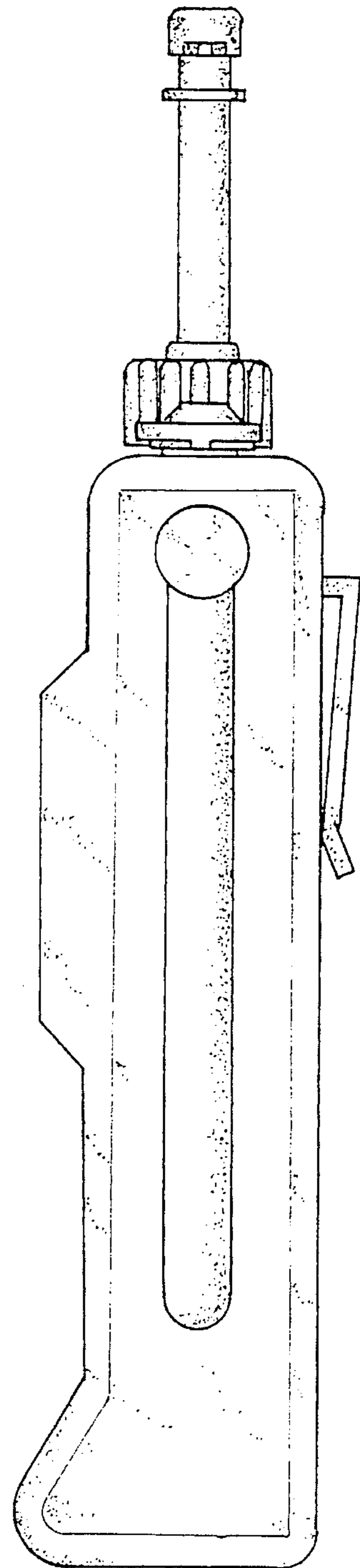


FIG. 2

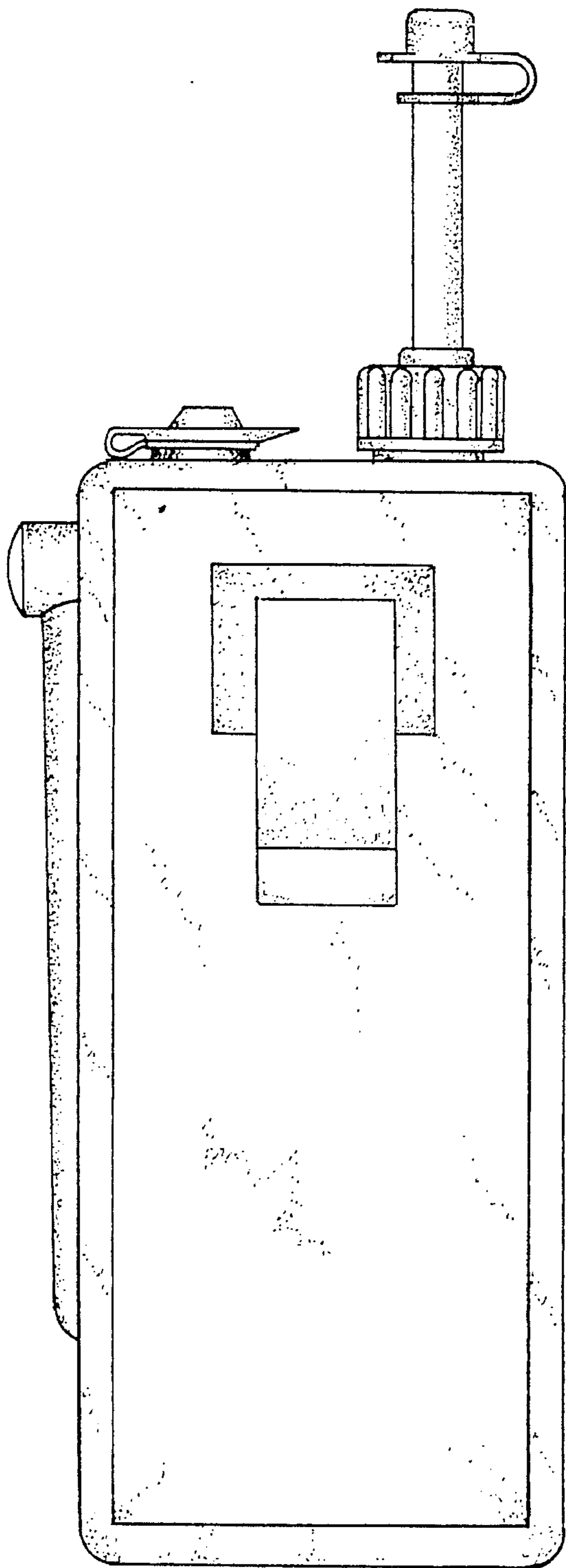


FIG. 3

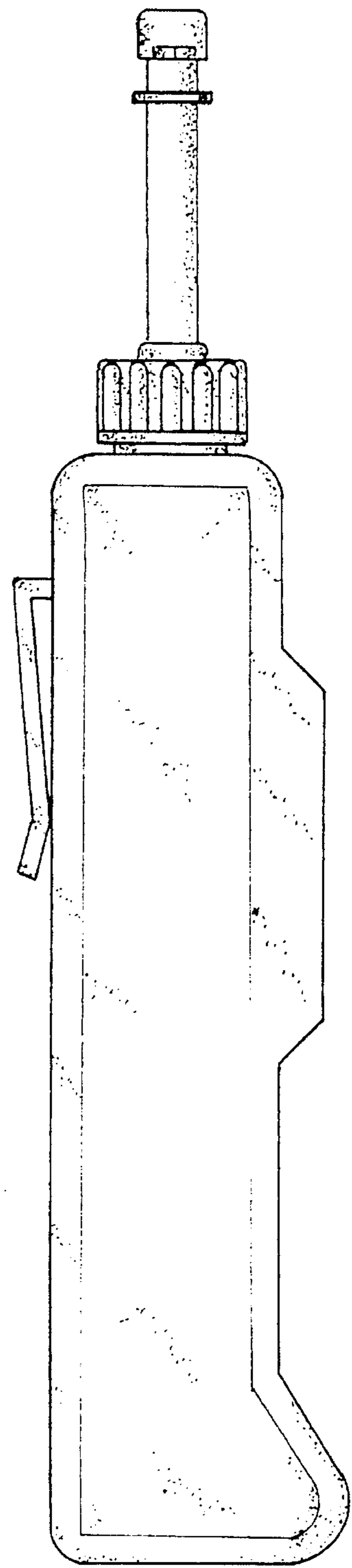


FIG. 4

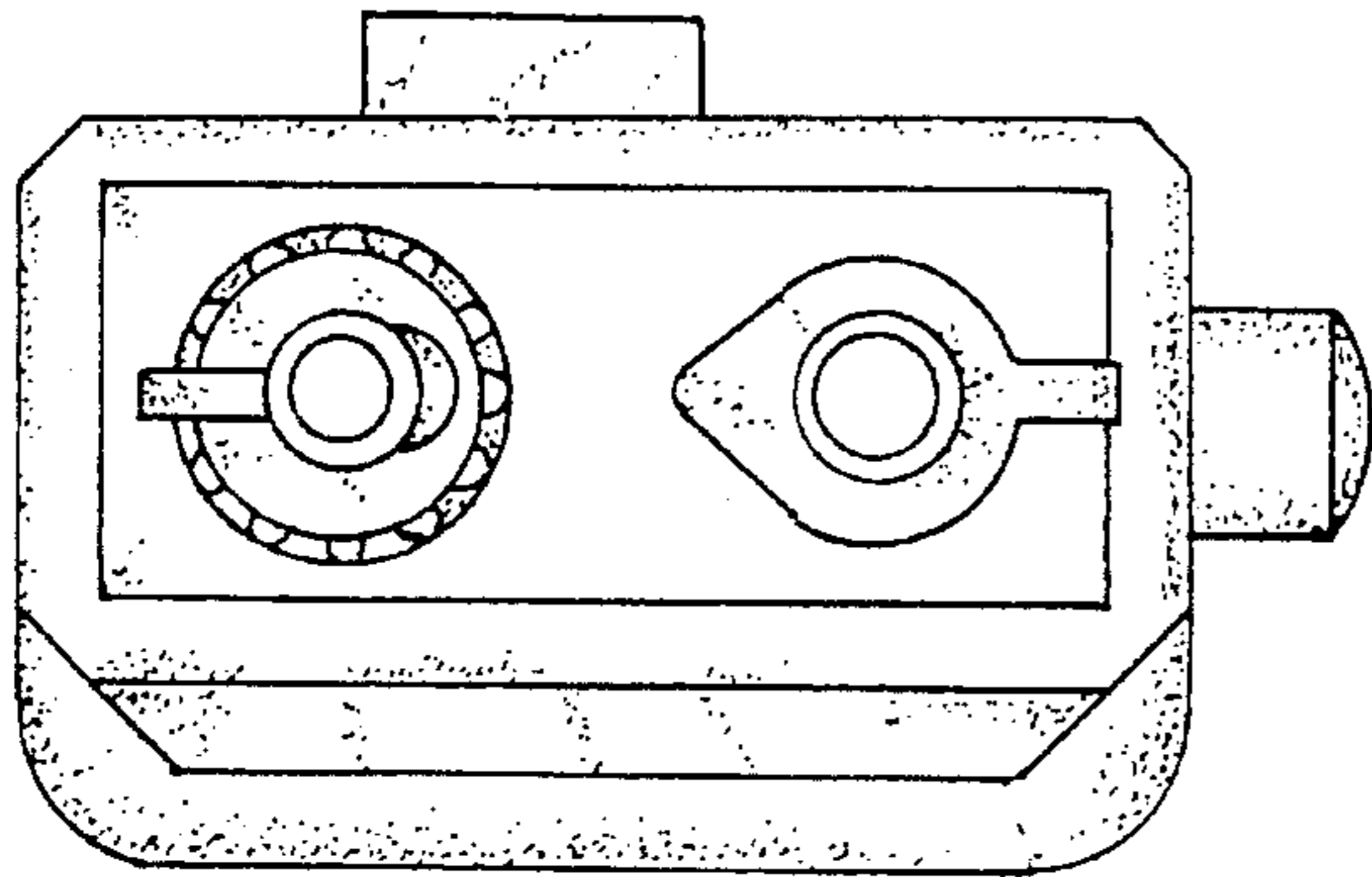


FIG. 6

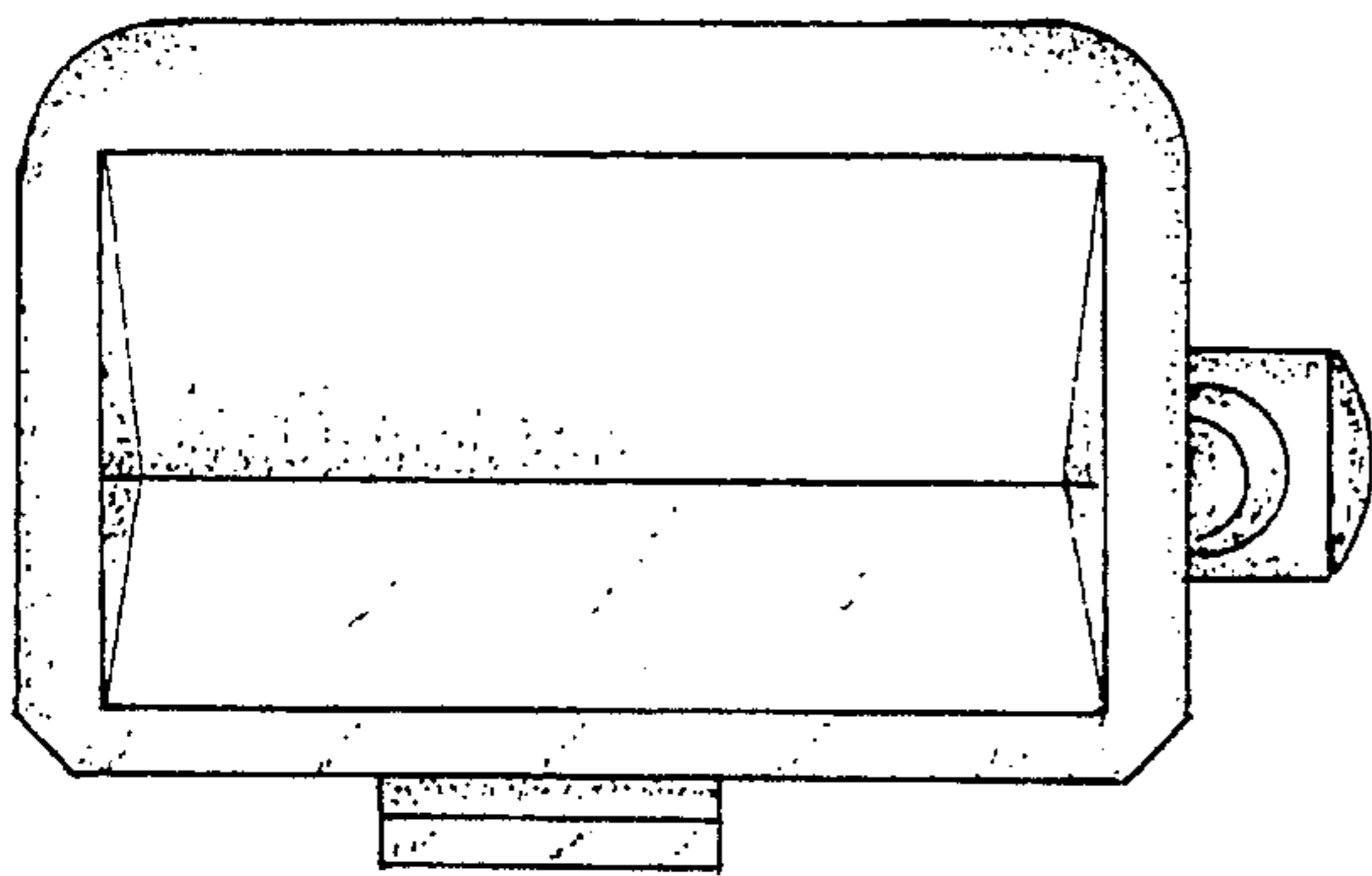


FIG. 7

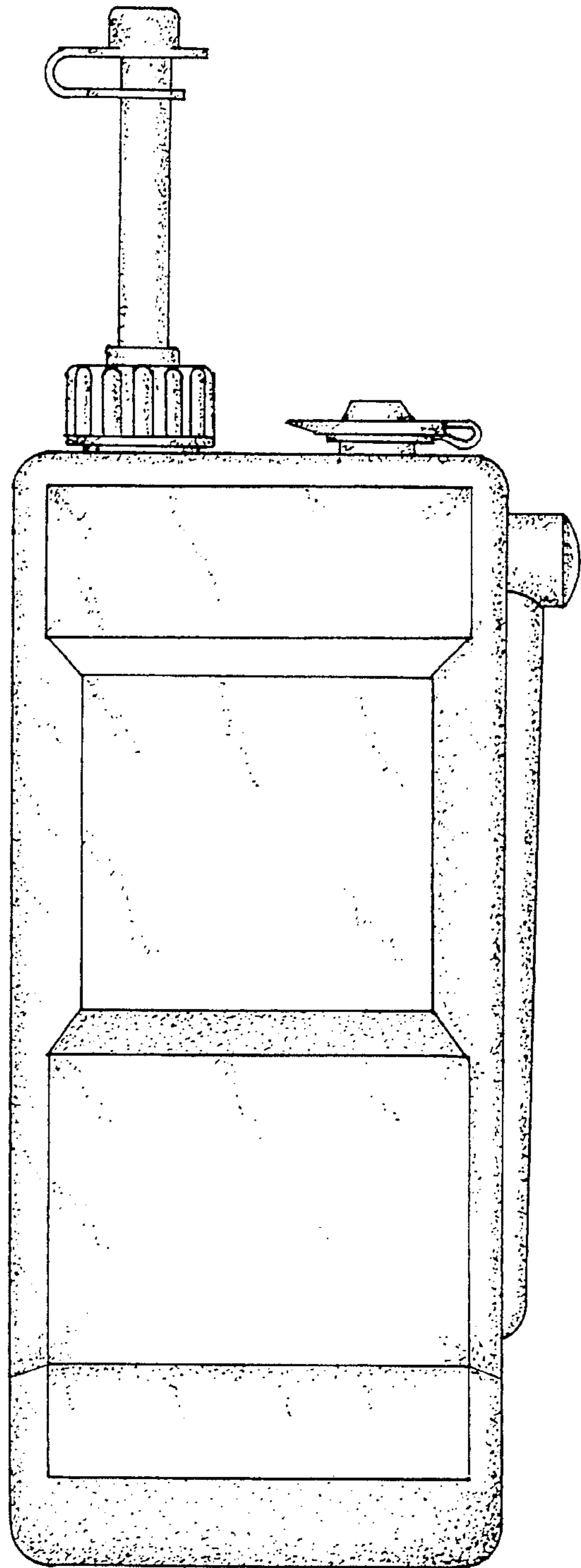


FIG. 5