



US00D374794S

United States Patent [19]

[11] Patent Number: **Des. 374,794**

Ahern, Jr.

[45] Date of Patent: ****Oct. 22, 1996**

[54] **LID FOR PASTA KEEPER**

[75] Inventor: **Richard B. Ahern, Jr.**, Akron, Ohio

[73] Assignee: **Rubbermaid Incorporated**, Wooster, Ohio

[**] Term: **14 Years**

[21] Appl. No.: **45,892**

[22] Filed: **Nov. 1, 1995**

[52] U.S. Cl. **D7/392.1; D7/392; D9/450**

[58] Field of Search **D7/392, 392.1, D7/391, 538, 629; D9/429, 435, 434, 445, 452, 453, 454, 450; 220/306**

| | | | |
|-----------|---------|----------------------|---------|
| 3,090,537 | 5/1963 | Pasciak | 229/1.5 |
| 3,417,897 | 12/1968 | Johnson | 220/306 |
| 3,421,654 | 1/1967 | Hexel | 220/306 |
| 3,760,972 | 9/1973 | McKiman | 220/9 |
| 3,773,207 | 11/1973 | Dokoupil et al. | 220/27 |
| 4,163,496 | 8/1979 | Dogliotti | 206/538 |
| 4,369,901 | 1/1983 | Hidding | 222/480 |
| 4,471,880 | 9/1984 | Taylor et al. | 220/306 |
| 4,693,391 | 9/1987 | Roth | 220/359 |
| 4,993,603 | 2/1991 | Polhemus | 222/472 |
| 5,425,467 | 6/1995 | Feer et al. | 220/281 |

OTHER PUBLICATIONS

Pp. 26, 27, 42 and 45, Lids; Tupperware, P.O. Box 2353, Orlando, Florida 32802. Publication date 1994.

Label, Lids; Anchor Hocking Plastics, A Member of the Newell Group, P.O. Box 64610, St. Paul, Minnesota 55102. Publication date 1994.

Label, Lid; Flotool International, 15542 Mosher Avenue, Tustin, California 92680. Publication date 1994.

Pp. 2, 3 and 5, Lids; Decor America Incorporated, 250 West Artesia Boulevard, Compton, California 90220. Publication date 1991.

P. 20, Pouring lids; Dupol-Rubbermaid GmbH, An der Trift 63, D-6072 Dreieich, West Germany. Publication date 1989.

Catalog page, Lids; Rubbermaid Incorporated, 1147 Akron Road, Wooster, Ohio 44691. Publication date 1994.

Primary Examiner—M. N. Pandozzi
Attorney, Agent, or Firm—Richard B. O’Planick; Lisa B. Riedesel

[56] References Cited

U.S. PATENT DOCUMENTS

| | | | |
|------------|---------|--------------------|----------|
| D. 228,867 | 10/1973 | Mallonn | D7/131 |
| D. 228,886 | 10/1973 | Renou | D9/439 |
| D. 229,737 | 1/1974 | Taylor | D7/131 |
| D. 230,342 | 2/1974 | Mallonn | D7/131 |
| D. 230,343 | 2/1974 | Mallonn | D7/131 |
| D. 230,344 | 2/1974 | Taylor | D7/131 |
| D. 230,556 | 3/1974 | Mallonn | D7/131 |
| D. 246,344 | 11/1977 | Yonkers | D7/131 |
| D. 249,023 | 8/1978 | Ames | D9/440 |
| D. 273,837 | 5/1984 | De Coster | D7/391 |
| D. 274,030 | 5/1984 | Daenen et al. | D7/391 |
| D. 277,724 | 2/1985 | Daenen et al. | D9/450 X |
| D. 284,728 | 7/1986 | Trivison | D7/79 |
| D. 296,525 | 7/1988 | Siegel | D9/443 |
| D. 300,895 | 5/1989 | Watson et al. | D7/392.1 |
| D. 306,830 | 3/1990 | De Coster | D9/449 X |
| D. 314,708 | 2/1991 | De Coster | D9/449 |
| D. 315,103 | 3/1991 | Bennett | D9/447 |
| D. 318,777 | 8/1992 | Freese | D7/392 |
| D. 331,537 | 12/1992 | Tucker | D9/449 X |
| D. 334,341 | 3/1993 | Brown et al. | D9/447 |
| D. 336,017 | 6/1993 | Smith et al. | D7/629 |
| D. 339,958 | 10/1993 | Olsen et al. | D9/454 X |
| D. 346,720 | 5/1994 | Onneweer | D7/629 |
| D. 359,905 | 7/1995 | Molo | D9/447 |
| D. 360,105 | 7/1995 | Doxey | D7/391 |
| D. 363,638 | 10/1995 | Feer | D7/391 |
| 2,764,199 | 9/1956 | Tupper | 158/5 |

[57] CLAIM

The ornamental design for a lid for pasta keeper, as shown and described.

DESCRIPTION

FIG. 1 is a top right front perspective view of a lid for pasta keeper showing my design;

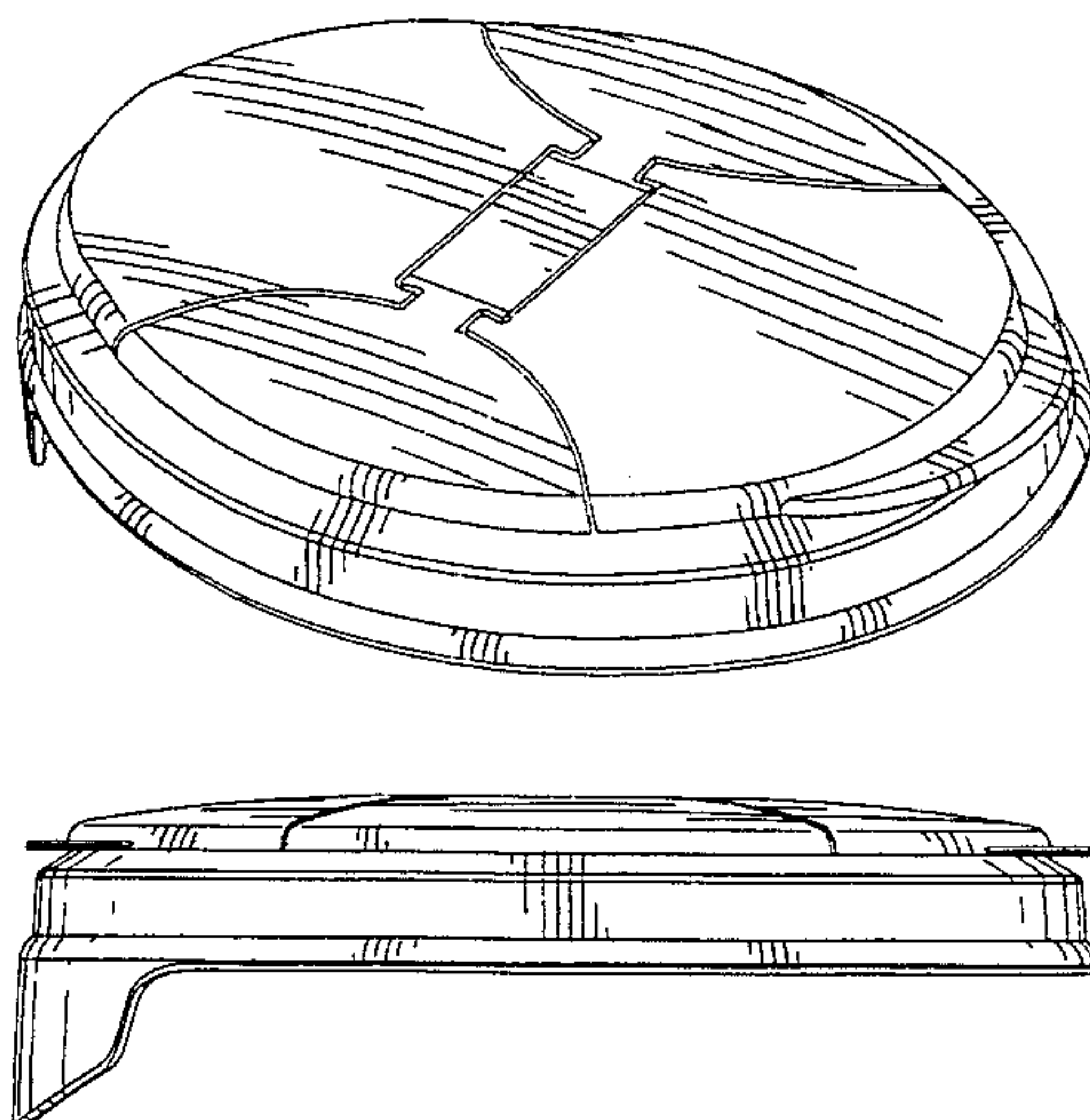
FIG. 2 is a top plan view thereof;

FIG. 3 is a front elevational view thereof; the rear elevational view being a mirror image;

FIG. 4 is a left side elevational view thereof; and,

FIG. 5 is a right side elevational view thereof.

1 Claim, 2 Drawing Sheets



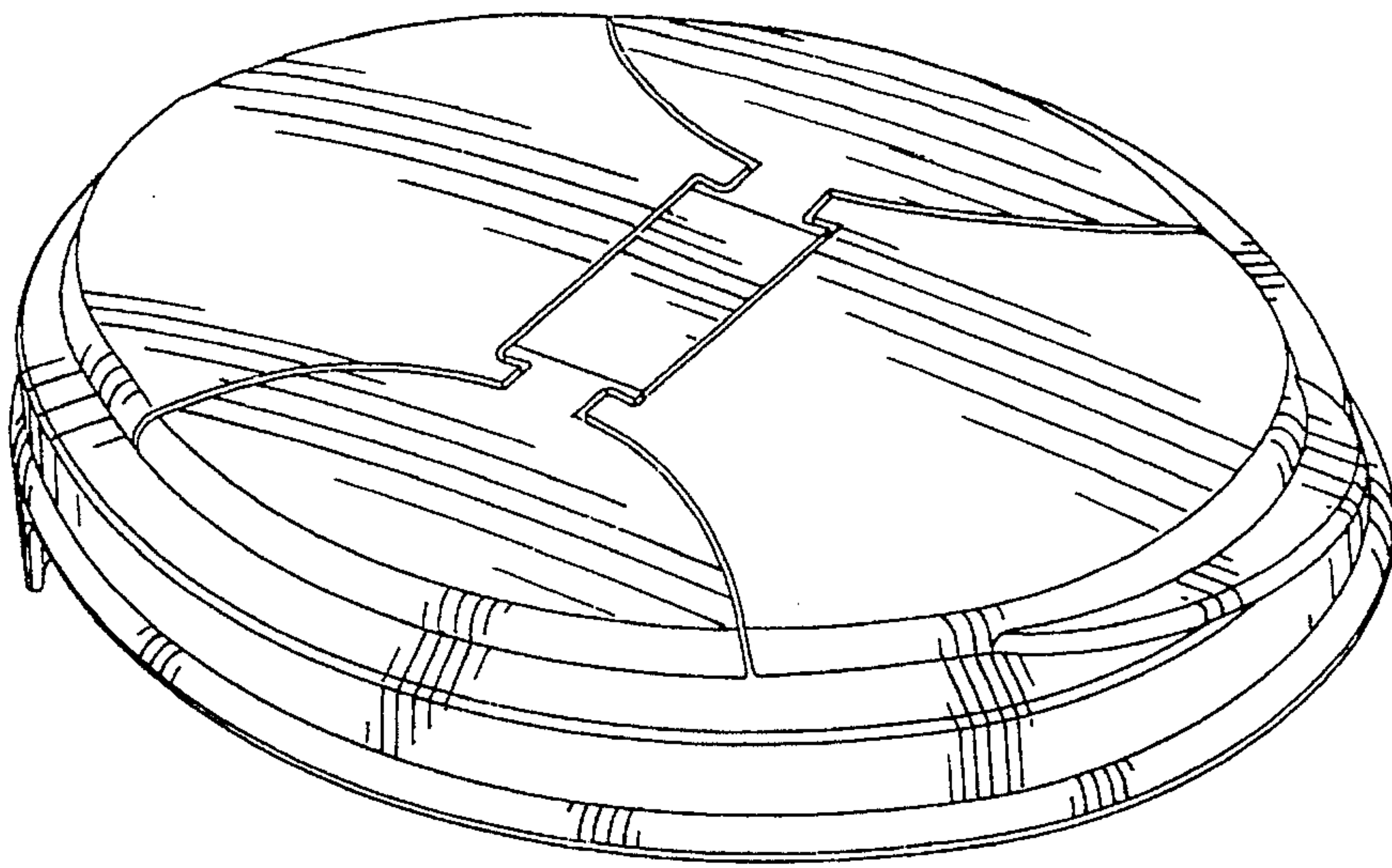


Fig-1

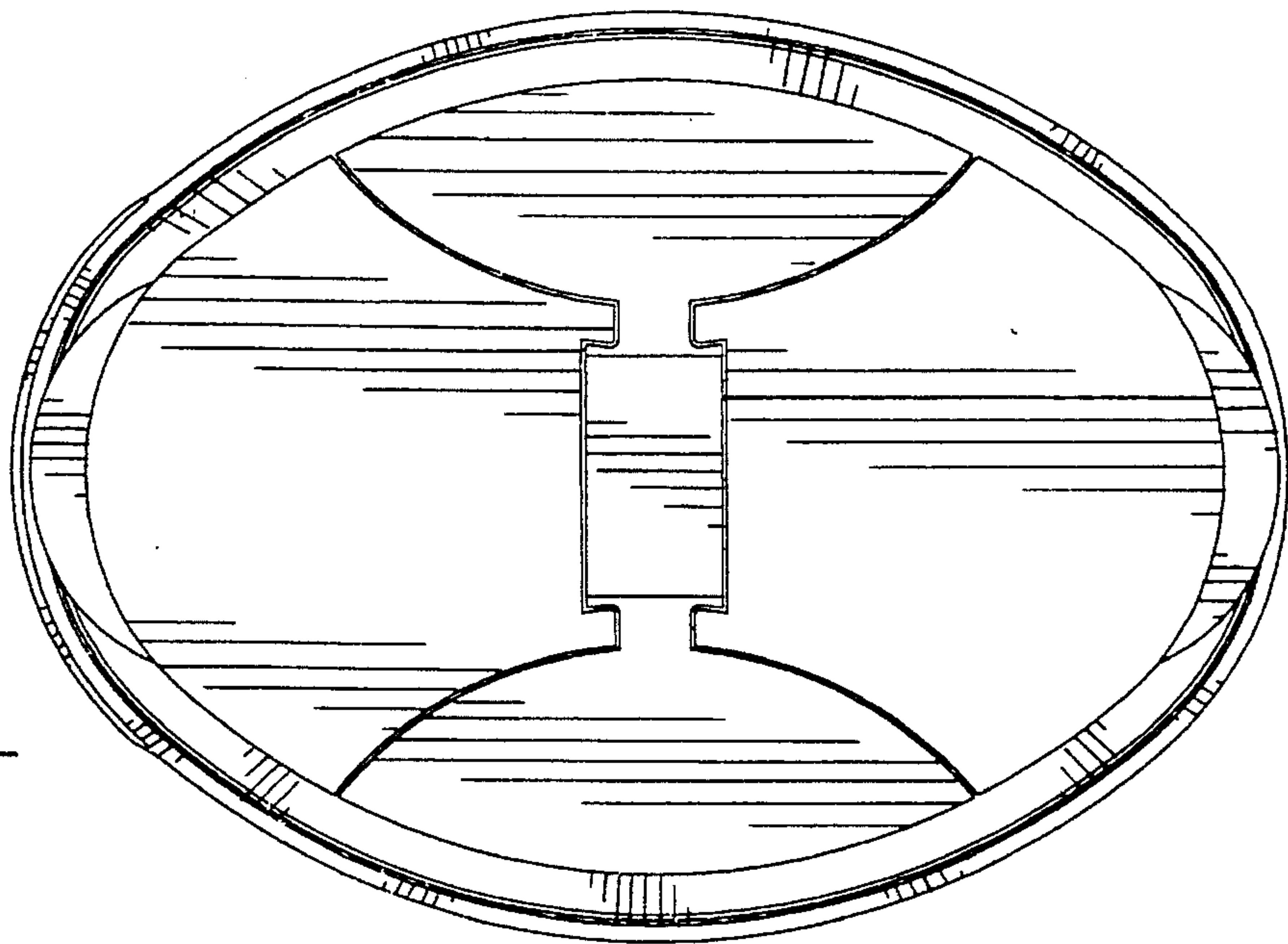


Fig-2

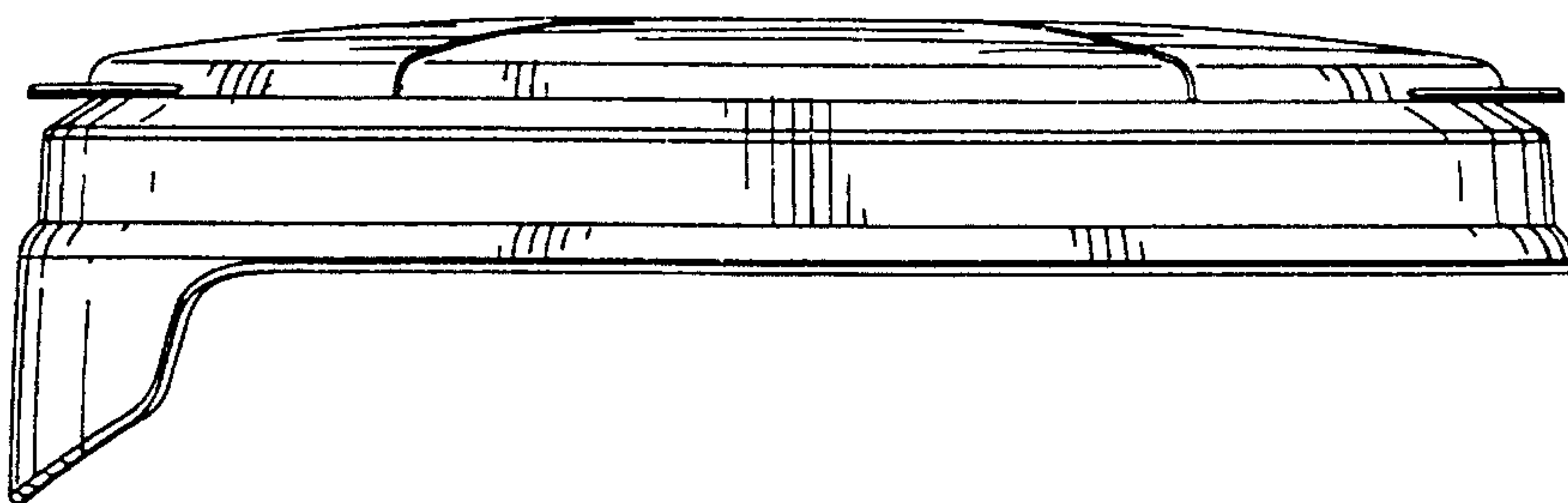


Fig-3

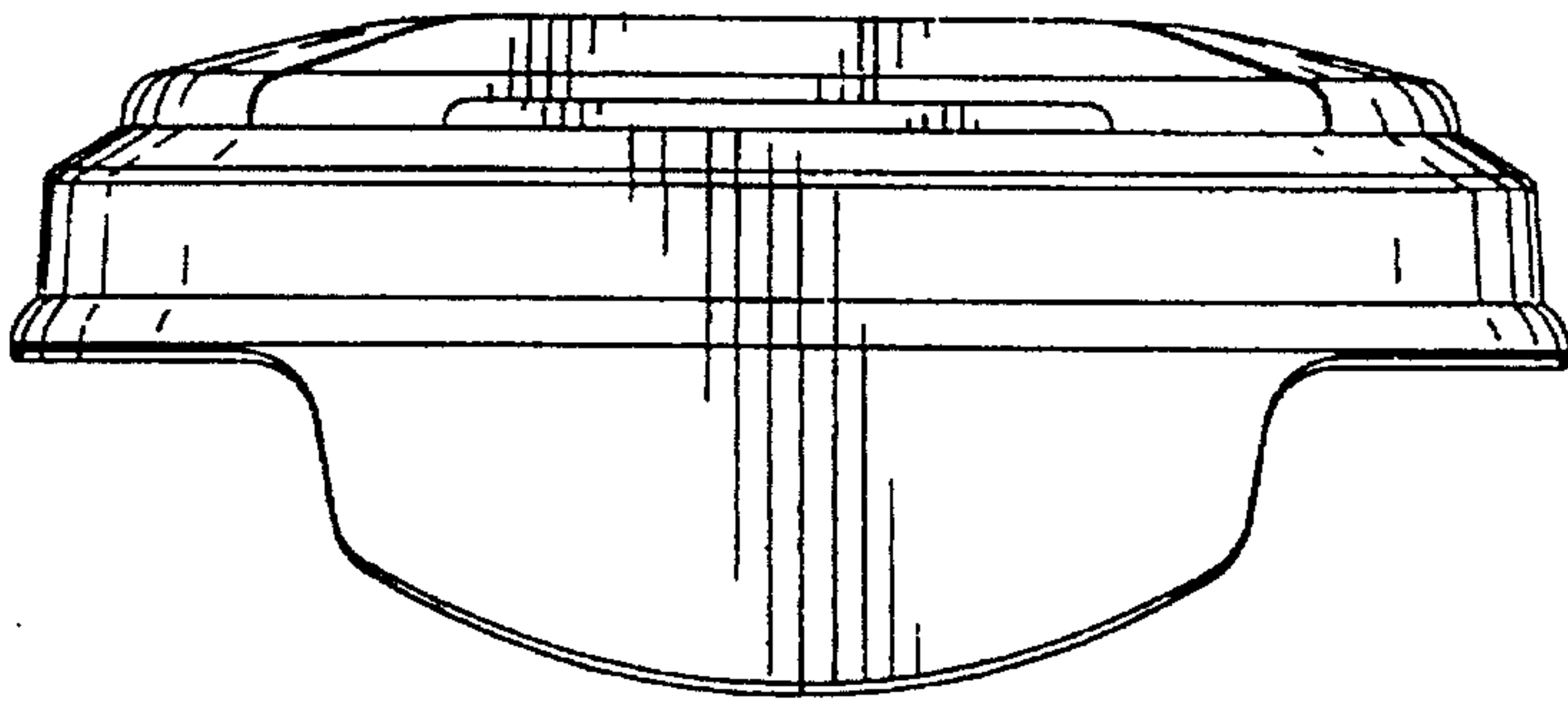


Fig-4

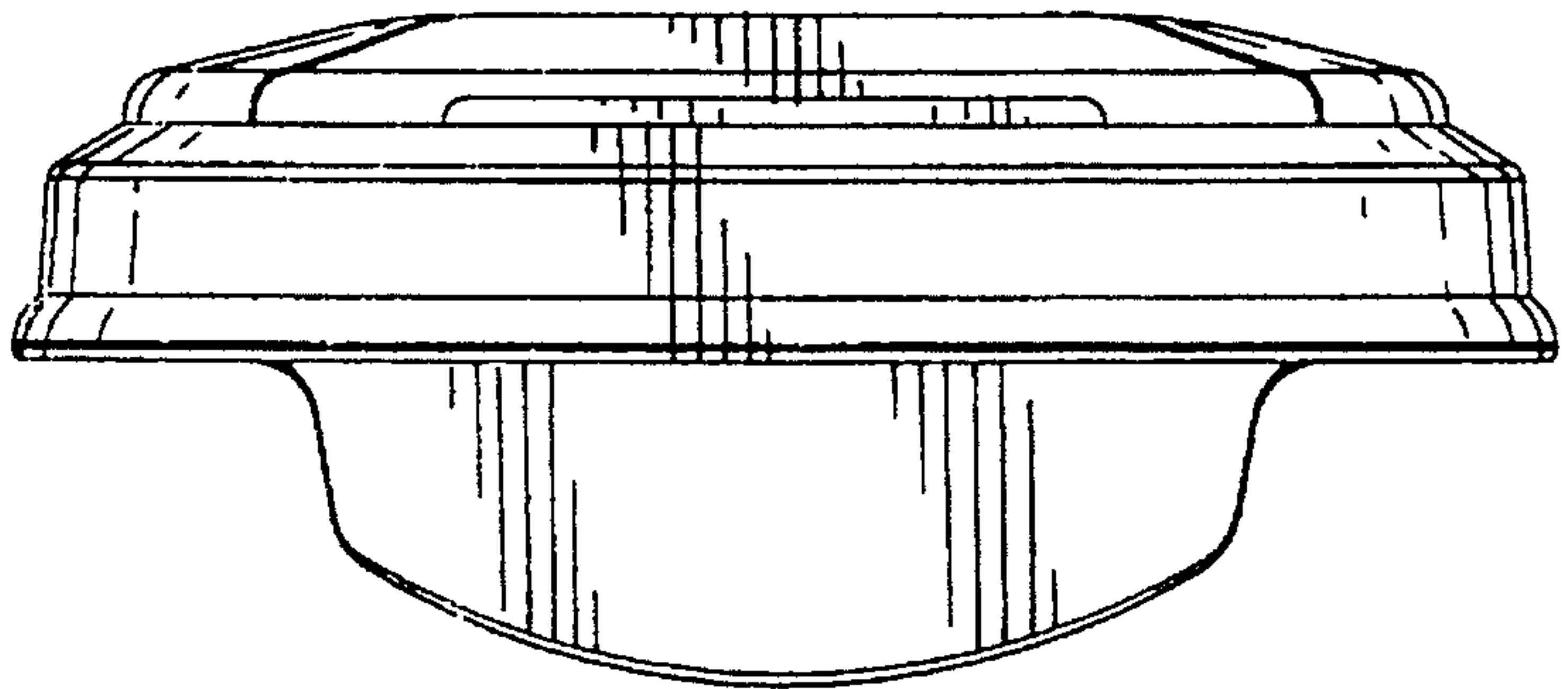


Fig-5