



US00D374793S

United States Patent [19]
Eickel

[11] **Patent Number: Des. 374,793**
[45] **Date of Patent: **Oct. 22, 1996**

[54] **GLASS LID FOR COOKING UTENSILS**

D. 160,649	10/1950	Muller-Munk	D7/391
D. 220,967	6/1971	Schneider	D7/542
2,088,848	8/1937	Fay	16/121
2,259,077	10/1941	Morgan	16/121

[75] Inventor: **Richard Eickel**, Arnsberg, Germany

[73] Assignee: **Heinrich Berndes Produktionsgesellschaft mbH**, Germany

Primary Examiner—Nelson C. Holtje
Assistant Examiner—Caron D. Veynar
Attorney, Agent, or Firm—Dvorak and Traub

[**] Term: **14 Years**

[57] **CLAIM**

[21] Appl. No.: **42,922**

The ornamental design for a glass lid for cooking utensils, as shown and described.

[22] Filed: **Aug. 21, 1995**

DESCRIPTION

[30] **Foreign Application Priority Data**

FIG. 1 is a perspective view of the invention;
FIG. 2 is a top view of the invention;
FIG. 3 is a side view of the invention as positioned in FIG. 2, the opposite side view being identical;
FIG. 4 is a side view of the invention rotated 90° from the view shown in FIG. 3, the opposite side view being identical; and,
FIG. 5 is a bottom view of the invention.

Mar. 17, 1995 [DE] Germany M 95 02 506.5

[52] **U.S. Cl.** **D7/391; D7/387**

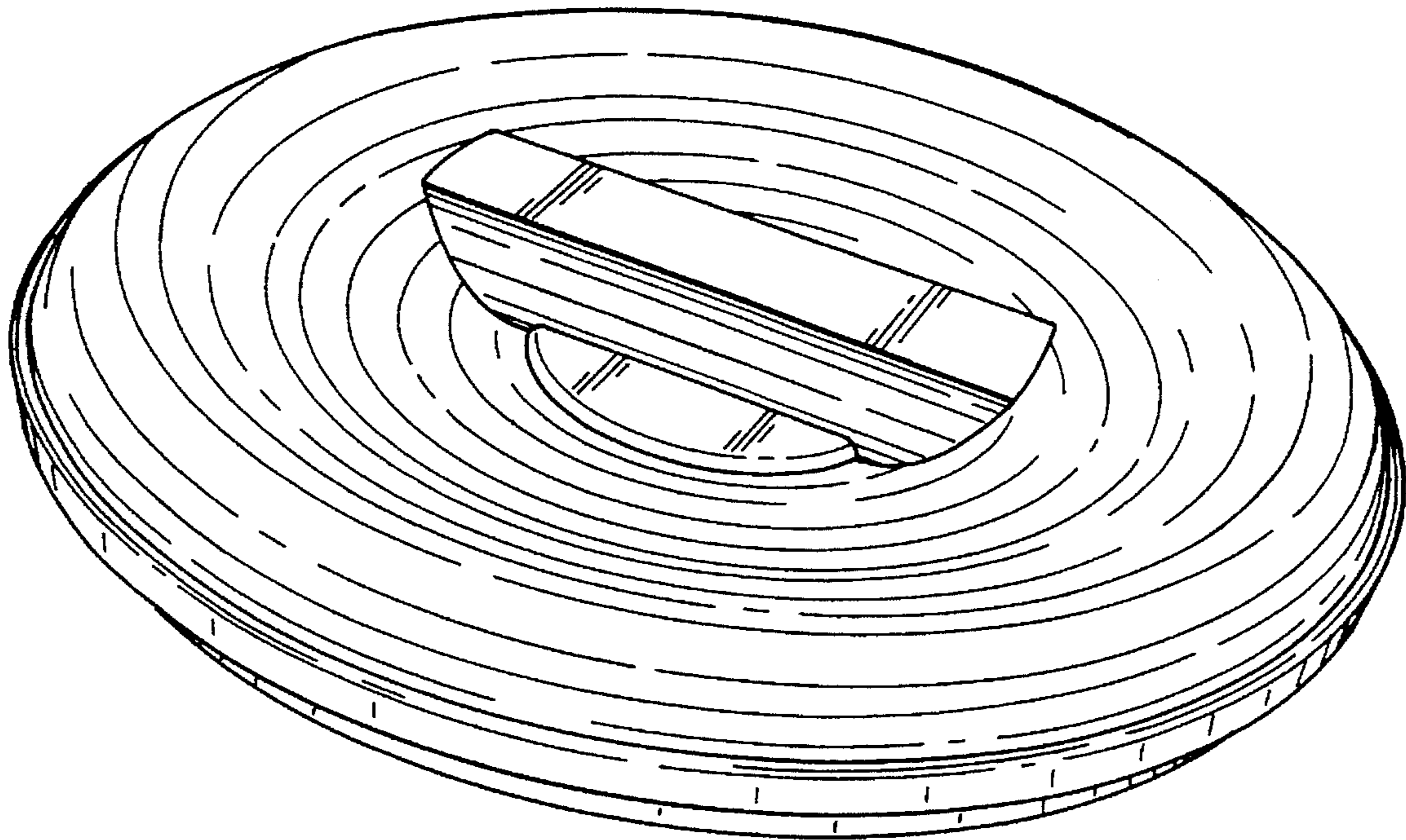
[58] **Field of Search** **D7/354-361, 387, D7/391, 542; 16/121; 220/912**

[56] **References Cited**

U.S. PATENT DOCUMENTS

D. 157,363 2/1950 Frankel D7/391

1 Claim, 3 Drawing Sheets



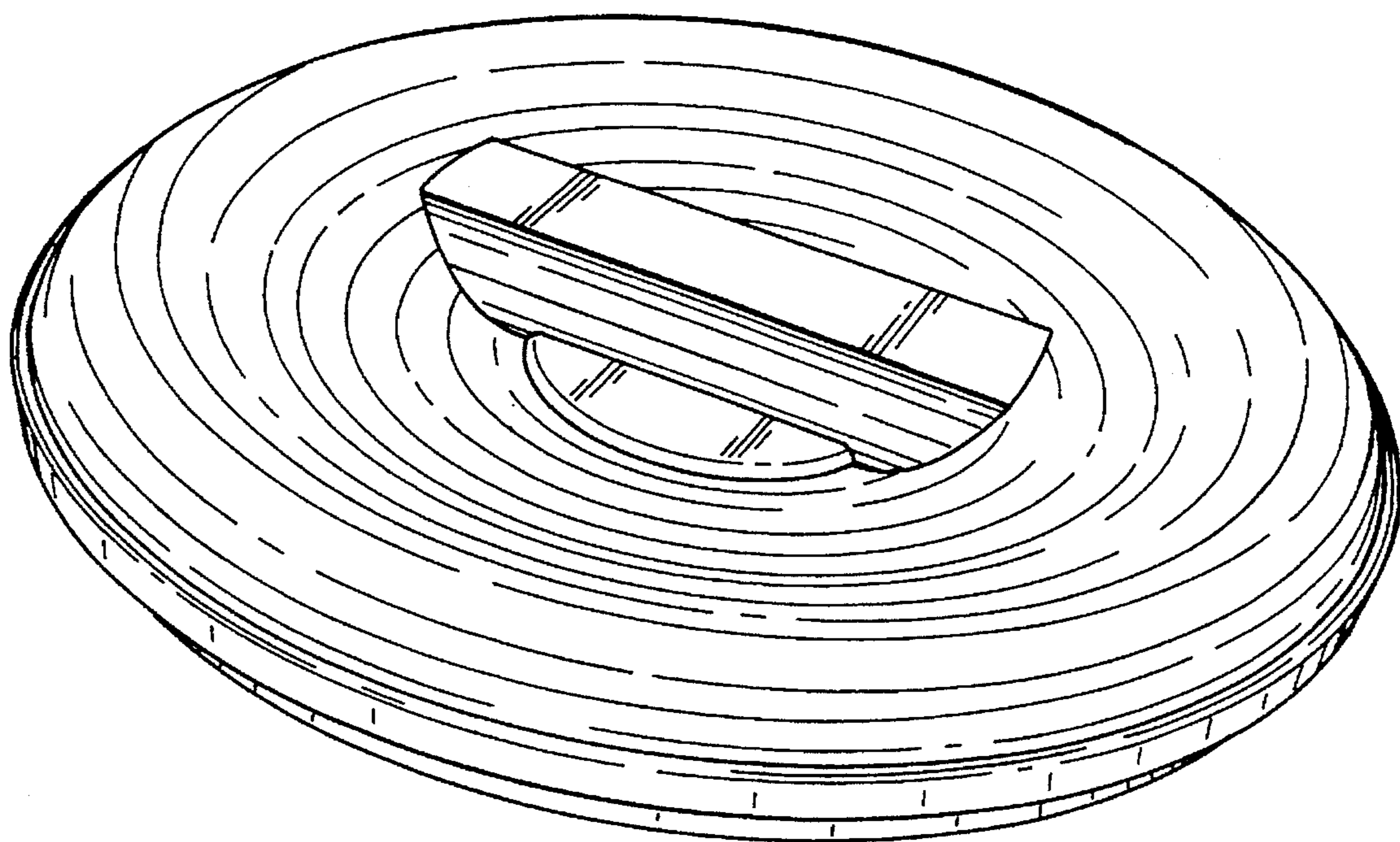


FIG. 1

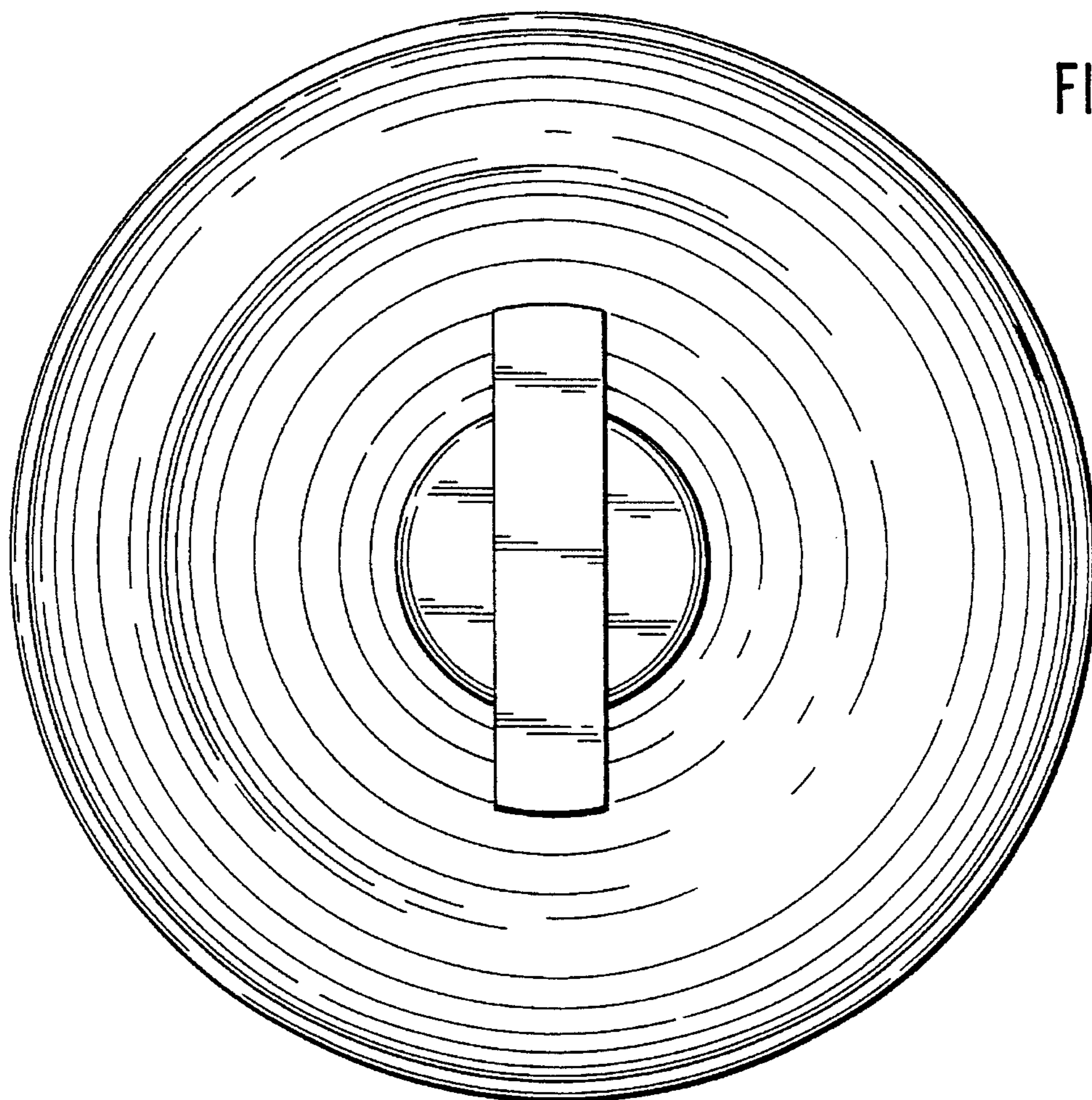


FIG. 2

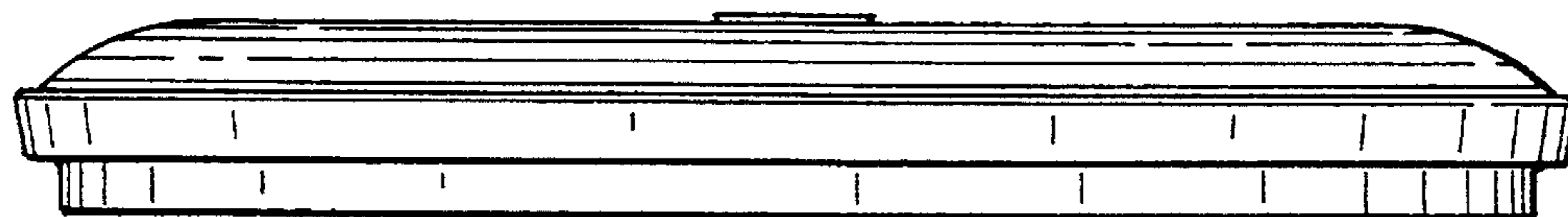


FIG. 3

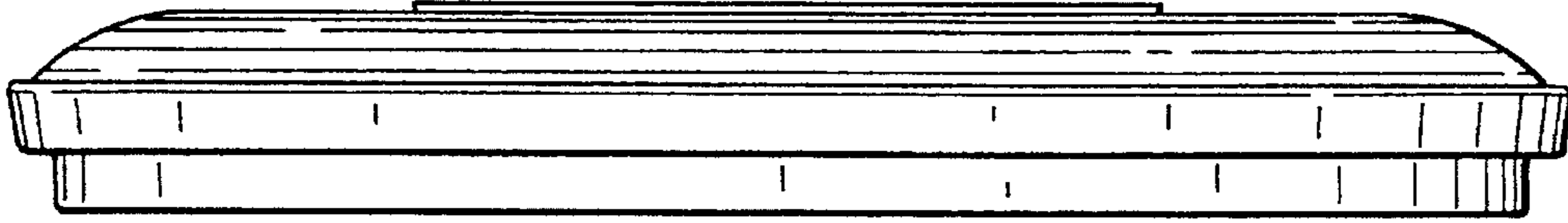


FIG. 4

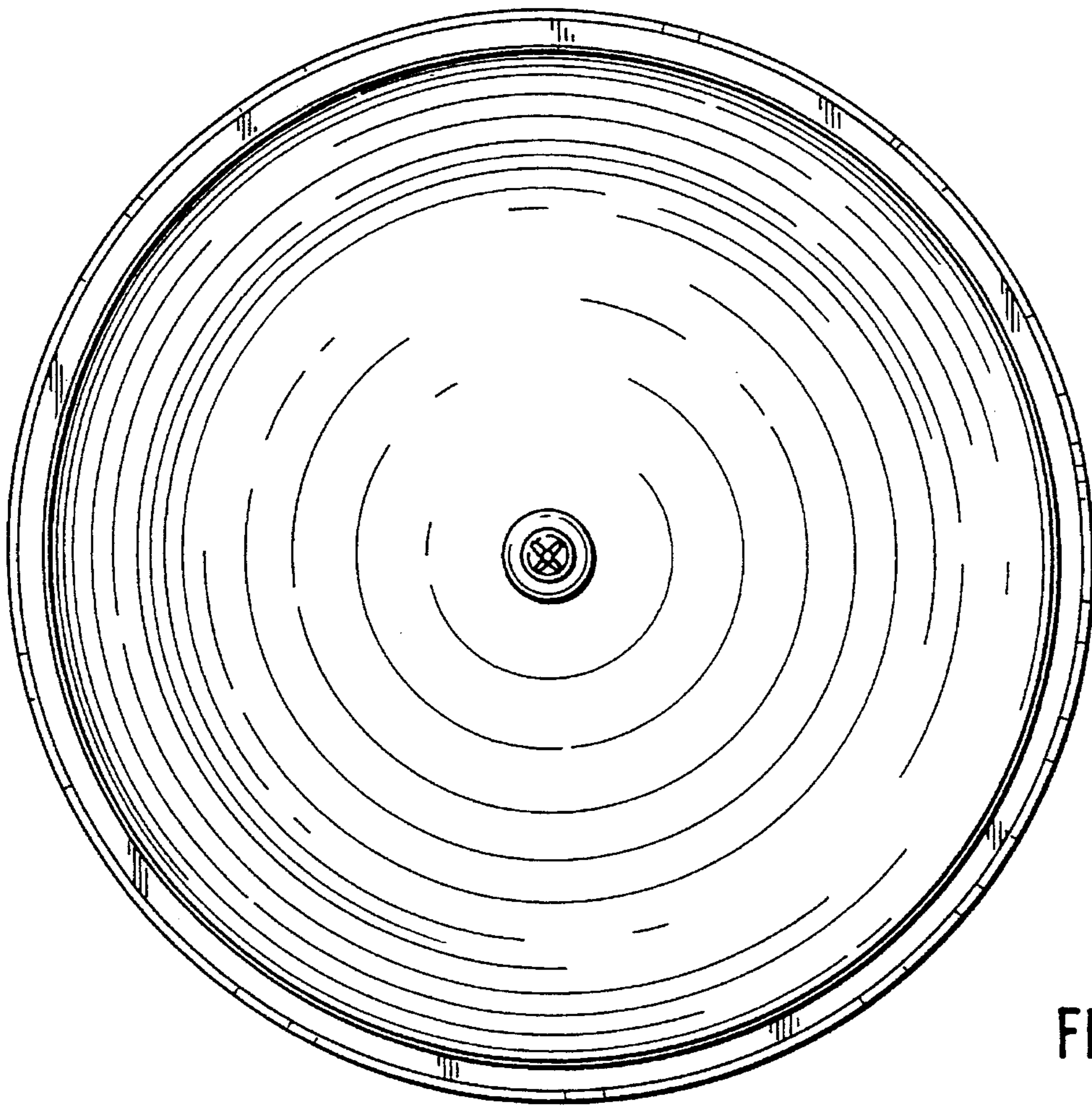


FIG. 5