



US00D374791S

United States Patent [19]

Wu

[11] Patent Number: **Des. 374,791**

[45] Date of Patent: ****Oct. 22, 1996**

[54] **FRYER FOR FOOD**

[76] Inventor: **Ping-Huang Wu**, No.3 Lane 772,
Ho-Ping Road, Patech City, Taoyuan
Hsien, Taiwan

[**] Term: **14 Years**

[21] Appl. No.: **45,714**

[22] Filed: **Oct. 27, 1995**

[52] U.S. Cl. **D7/354**; 99/410

[58] Field of Search D7/354, 352, 358,
D7/337, 346, 352, 323, 358; 99/403, 406,
409, 410

[56] **References Cited**

U.S. PATENT DOCUMENTS

D. 313,530	1/1991	Leiros	D7/354
D. 323,954	2/1992	Barrault	D7/354
D. 339,025	9/1993	Piret et al.	D7/354
D. 365,723	1/1996	Powell	D7/354
3,463,077	8/1969	Lescure	99/410 X

3,842,725	10/1974	Sano et al.	D7/354 X
4,995,312	2/1991	Leiros	99/403 X
5,400,700	3/1995	Bois	99/410 X

Primary Examiner—Louis S. Zarfaz
Assistant Examiner—Frank Martinez
Attorney, Agent, or Firm—Ezra Sutton

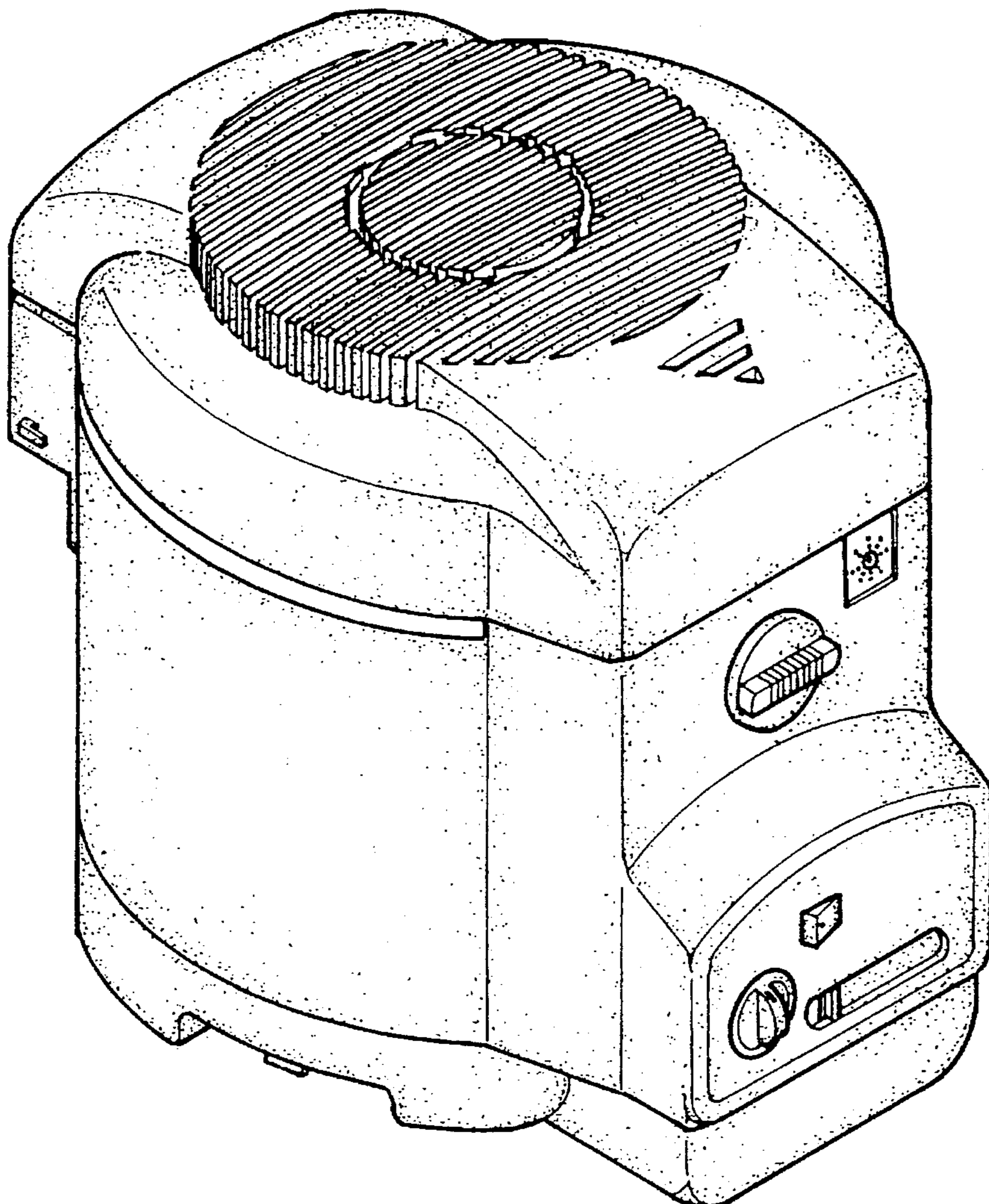
[57] **CLAIM**

The ornamental design for fryer for food, as shown and described.

DESCRIPTION

FIG. 1 is a perspective view of fryer for food showing my new design;
FIG. 2 is a front elevational view thereof;
FIG. 3 is a rear elevational view thereof;
FIG. 4 is a left side elevation view thereof;
FIG. 5 is a right side elevational view thereof;
FIG. 6 is a top view thereof; and,
FIG. 7 is a bottom view thereof.

1 Claim, 7 Drawing Sheets



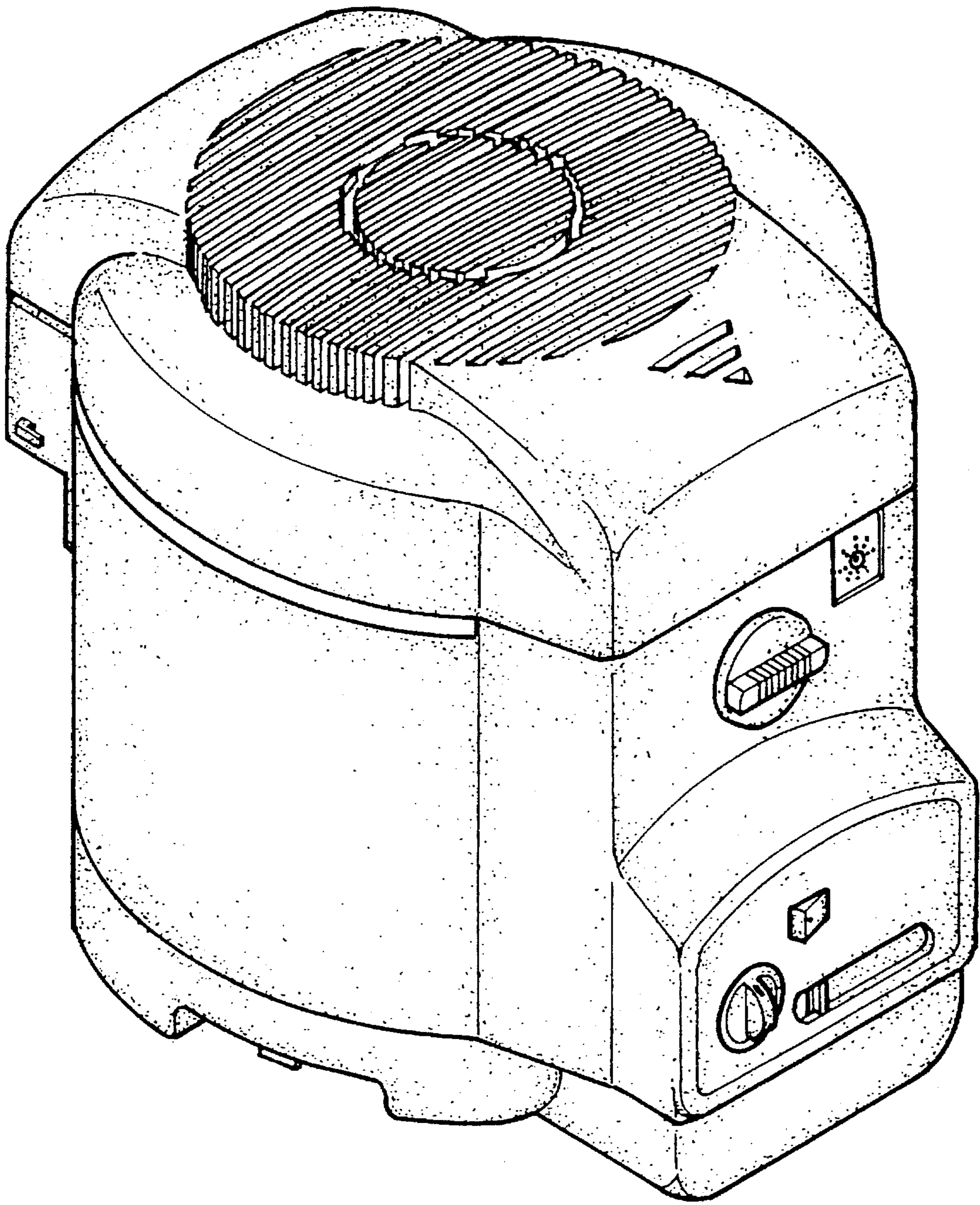


FIG. 1

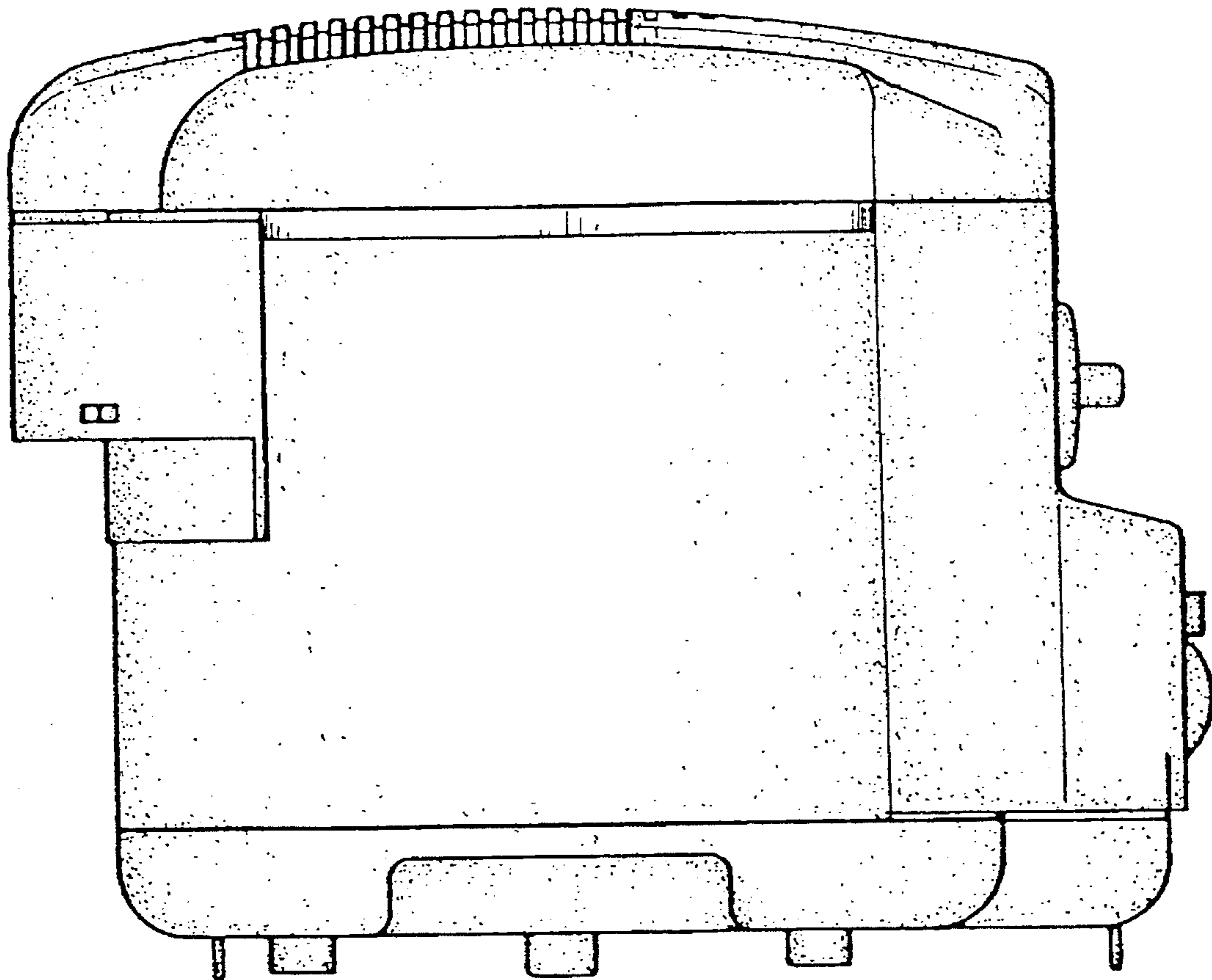


FIG. 2

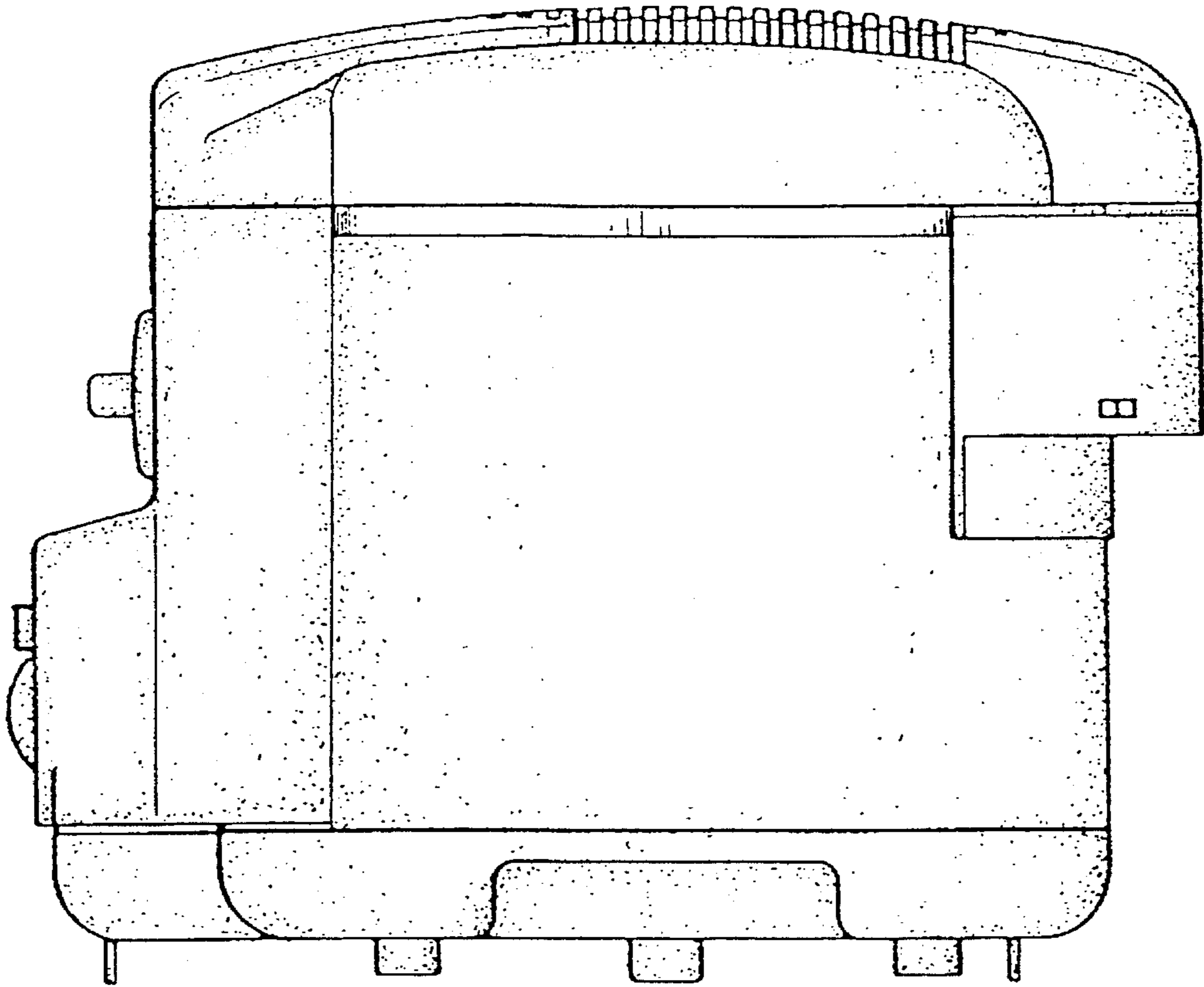


FIG. 3

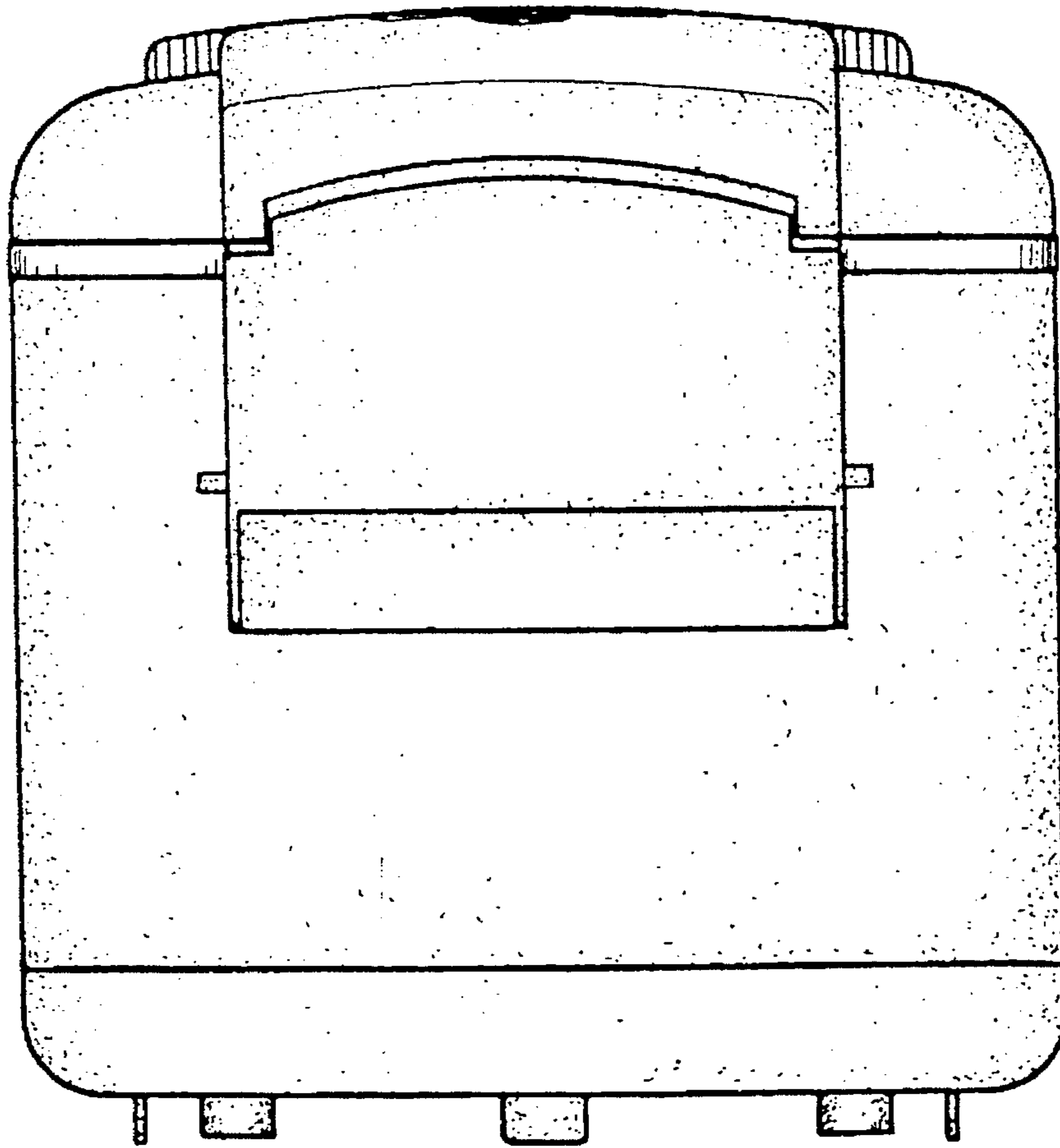


FIG. 4

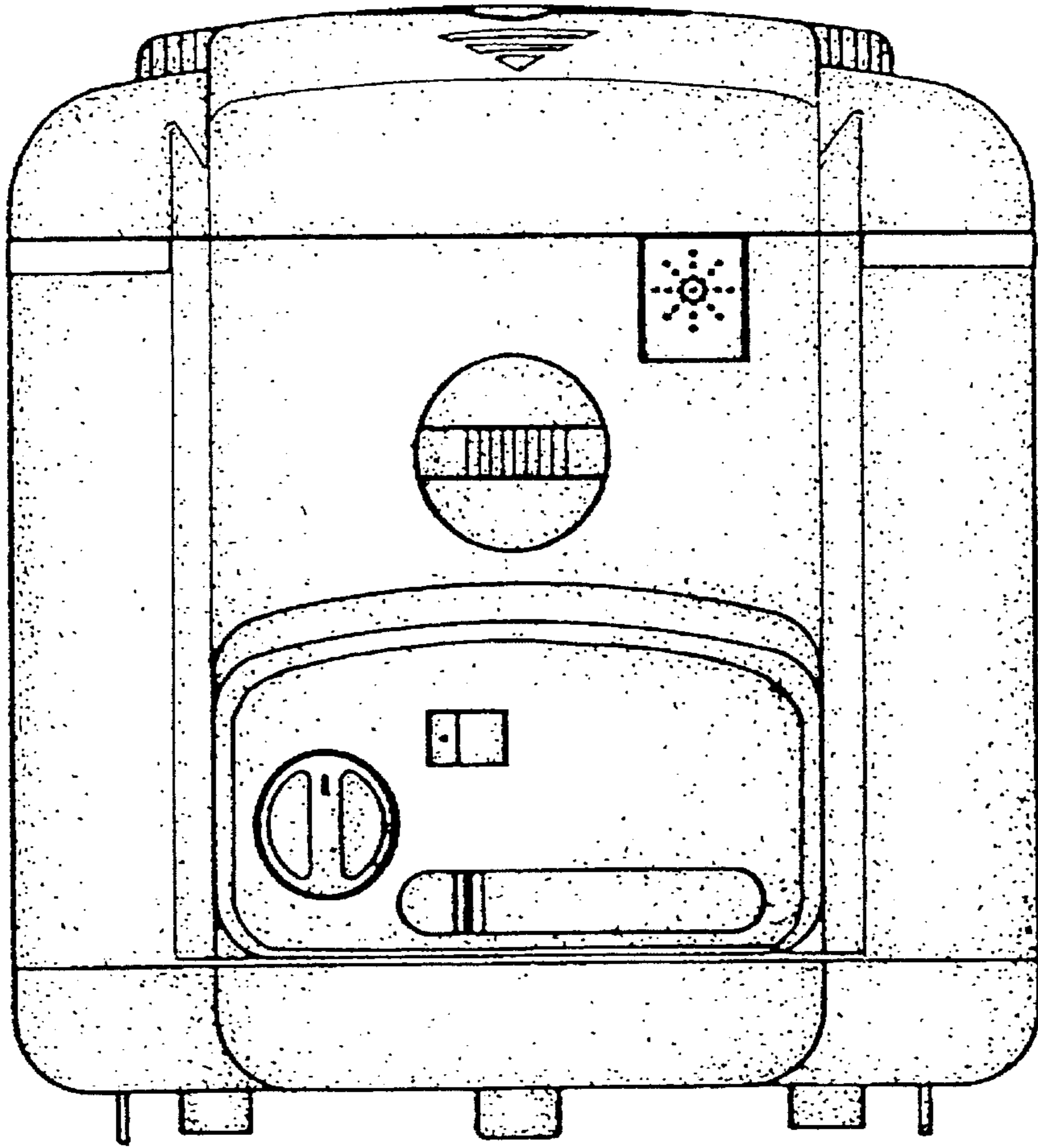


FIG. 5

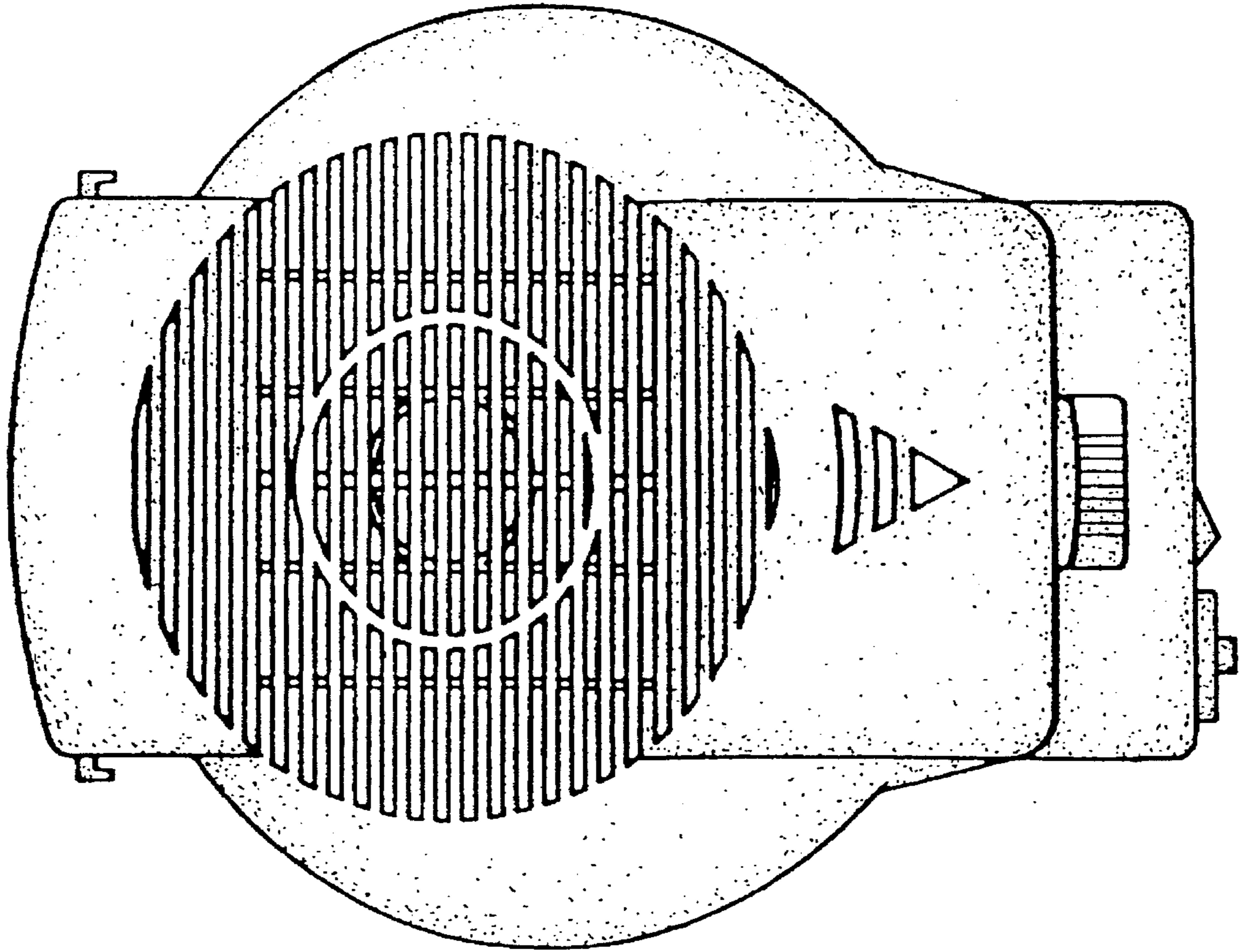


FIG. 6

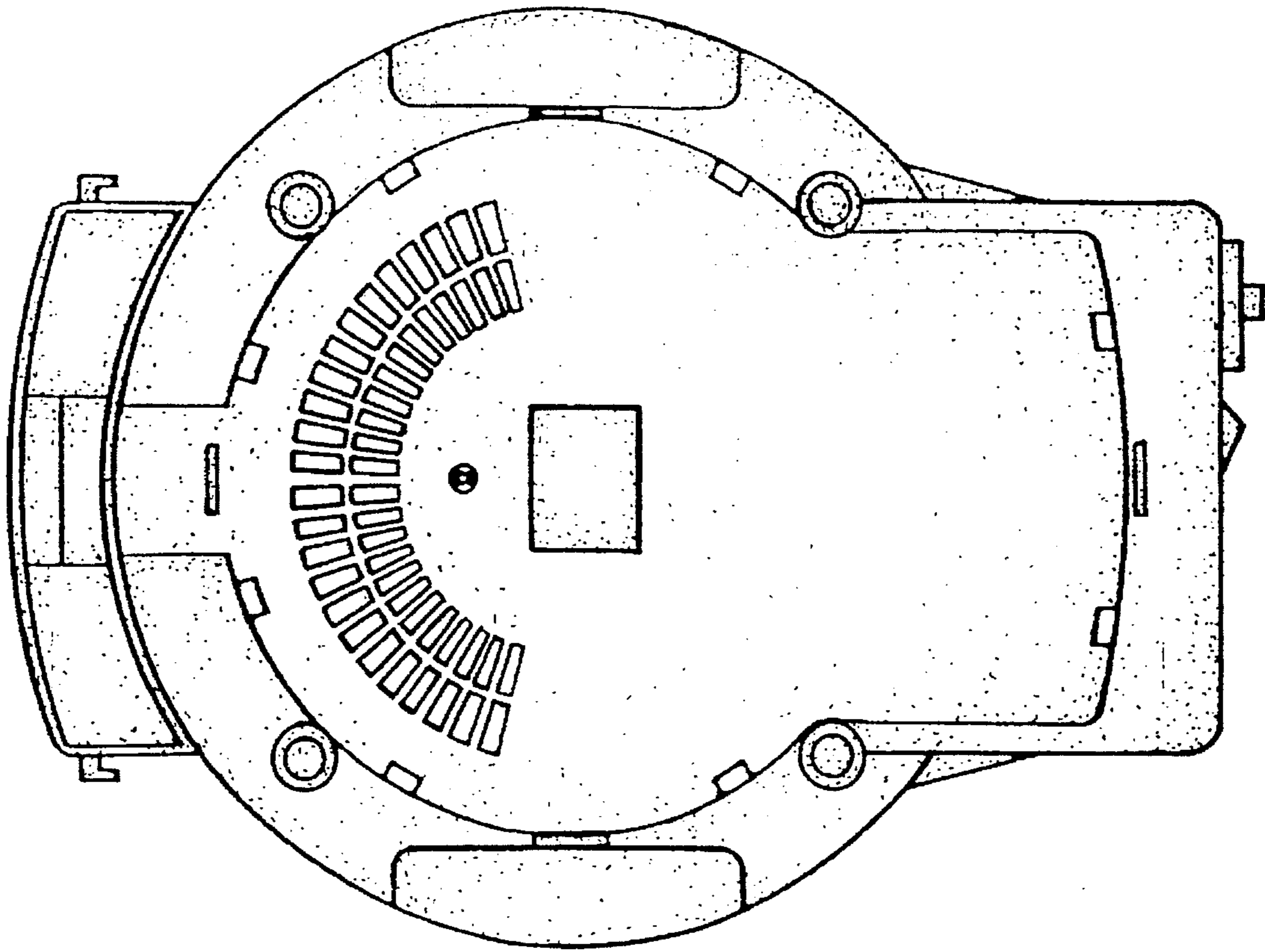


FIG. 7