



US00D374789S

# United States Patent [19]

[11] Patent Number: Des. 374,789

Kalista et al.

[45] Date of Patent: \*\*Oct. 22, 1996

[54] MULTI-PURPOSE BEACH TOWEL

[76] Inventors: **Tammy Kalista; Julia Cranston; Lynn Avery**, all of 19 Pine Court., NE., Medicine Hat, AB, Canada, T1C 1R3

[\*\*] Term: **14 Years**

[21] Appl. No.: **36,730**

[22] Filed: **Mar. 27, 1995**

[52] U.S. Cl. .... **D6/596; D6/608**

[58] Field of Search ..... D6/595, 596, 601, D6/608, 602, 603; D3/299; 5/417-420

### [56] References Cited

#### U.S. PATENT DOCUMENTS

D. 264,165	5/1982	McVeigh	.....	D6/596
2,045,784	6/1936	Leve	.....	190/1
4,101,994	7/1978	Hoyt	.....	383/4
4,195,378	4/1980	Parker	.....	D6/608
4,466,516	8/1984	Sicoli et al.	.....	383/4
4,915,662	4/1990	Kent	.....	5/420
5,060,937	10/1991	Rushatz et al.	.....	5/417
5,370,460	12/1994	Nelson	.....	383/4

*Primary Examiner*—Lisa P. Lichtenstein  
*Attorney, Agent, or Firm*—Harold H. Dutton, Jr.; W. Charles L. Jamison; Diane F. Liebman

### [57] CLAIM

The ornamental design for a multi-purpose beach towel, as shown and described.

### DESCRIPTION

FIG. 1 is a top plan view of a fully unfolded multi-purpose

beach towel showing our new design;

FIG. 2 is a rear plan view thereof;

FIG. 3 is a top plan view thereof with the lower portion as shown in FIG. 1 folded up;

FIG. 4 is a right side view of FIG. 3;

FIG. 5 is a front plan view of FIG. 3 with the lower portion as shown in FIG. 3 folded up once again;

FIG. 6 is a right side view of FIG. 5; and,

FIG. 7 is a top plan view of FIG. 5 with the lower portion as shown in FIG. 5 folded up once again;

FIG. 8 is a right side view of FIG. 7;

FIG. 9 is a top plan view of FIG. 7 with the upper portion as shown in FIG. 7 folded rearwardly;

FIG. 10 is a right side view of FIG. 9;

FIG. 11 is a top plan view of FIG. 9 with the left portion as shown in FIG. 9 folded forwardly;

FIG. 12 is a right side view of FIG. 11;

FIG. 13 is a top plan view of FIG. 11 with the right portion as shown in FIG. 11 folded forwardly;

FIG. 14 is a right side view of FIG. 11; and,

FIG. 15 is a top plan view of FIG. 11 with the straps fastened.

The left side of the multi-purpose beach towel is substantially a mirror of the right side except for the top horizontal strap and the vertical zipper on the right.

1 Claim, 7 Drawing Sheets

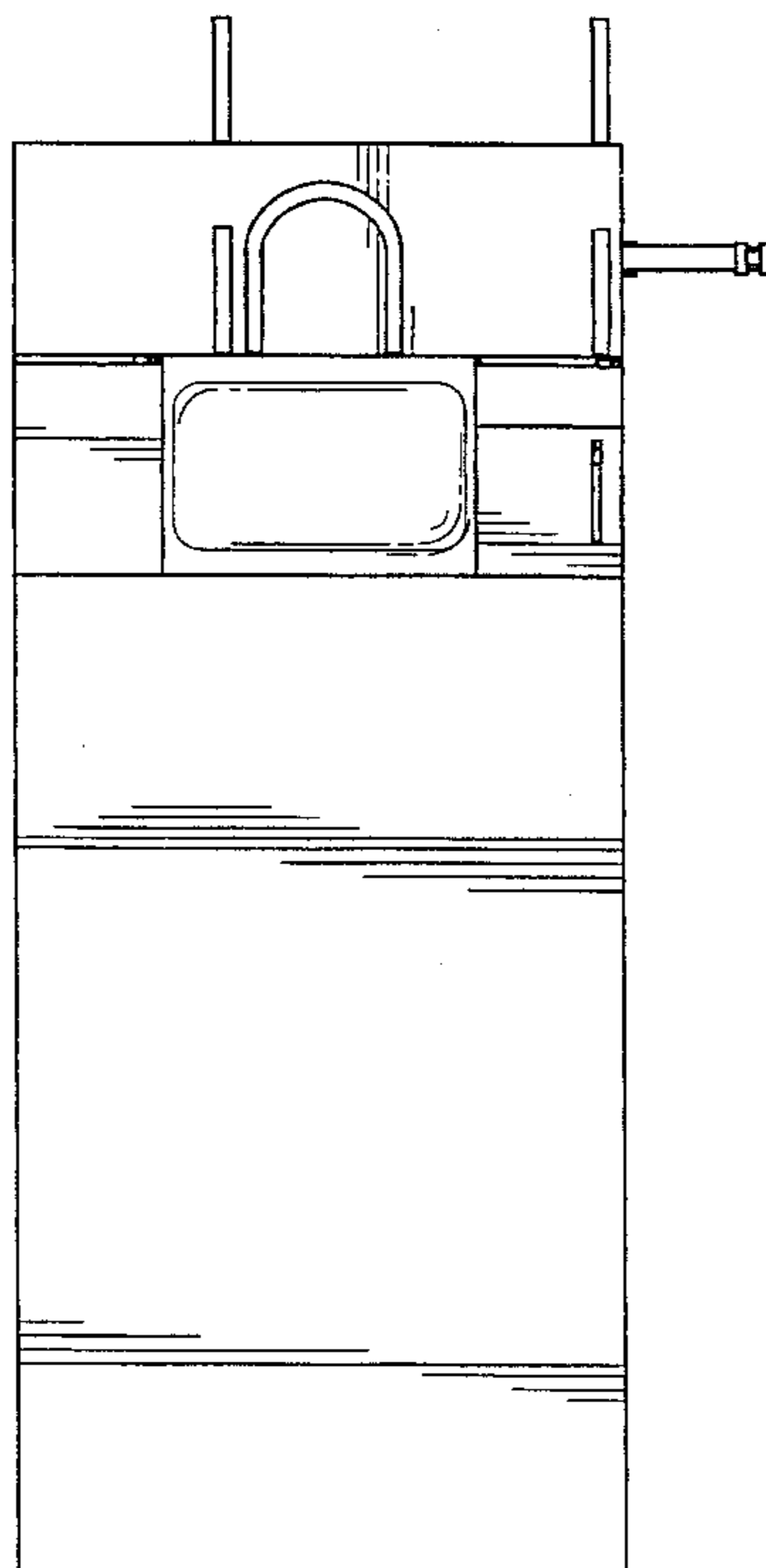


FIG. 1

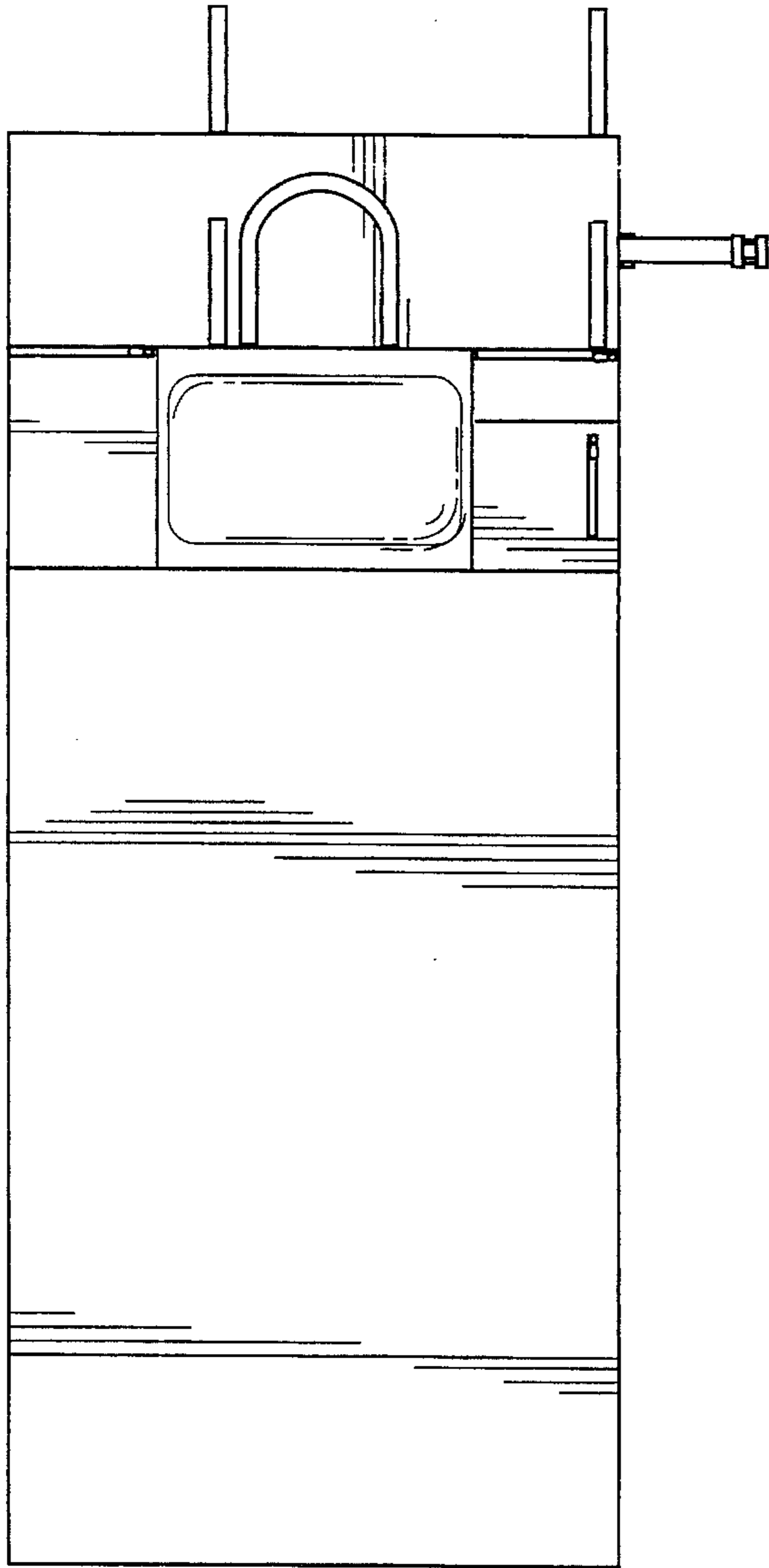


FIG. 2

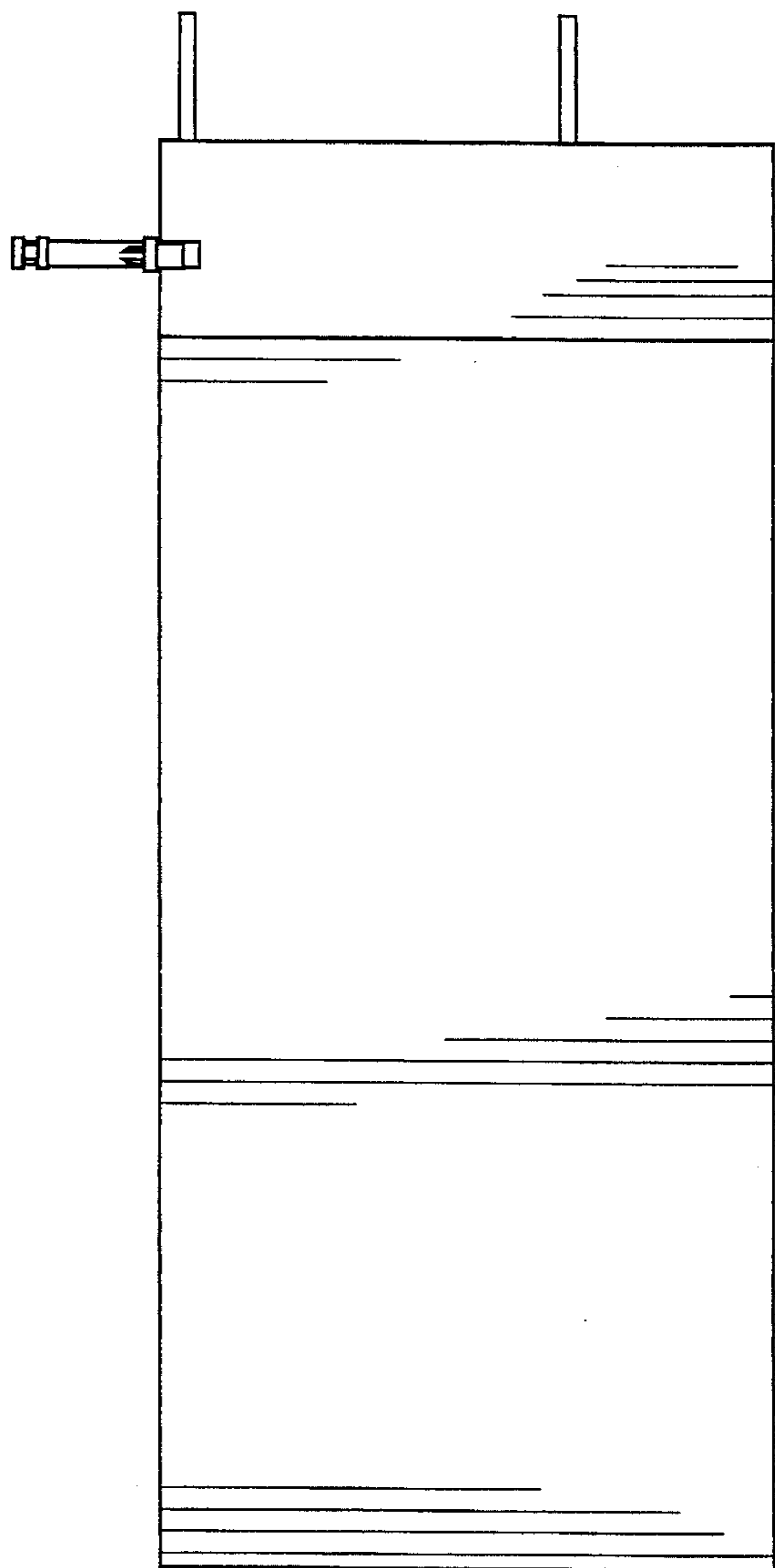


FIG. 3

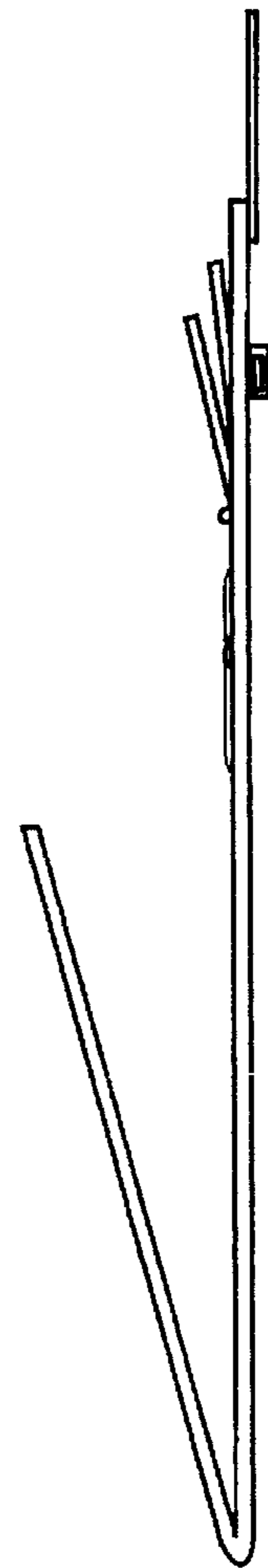
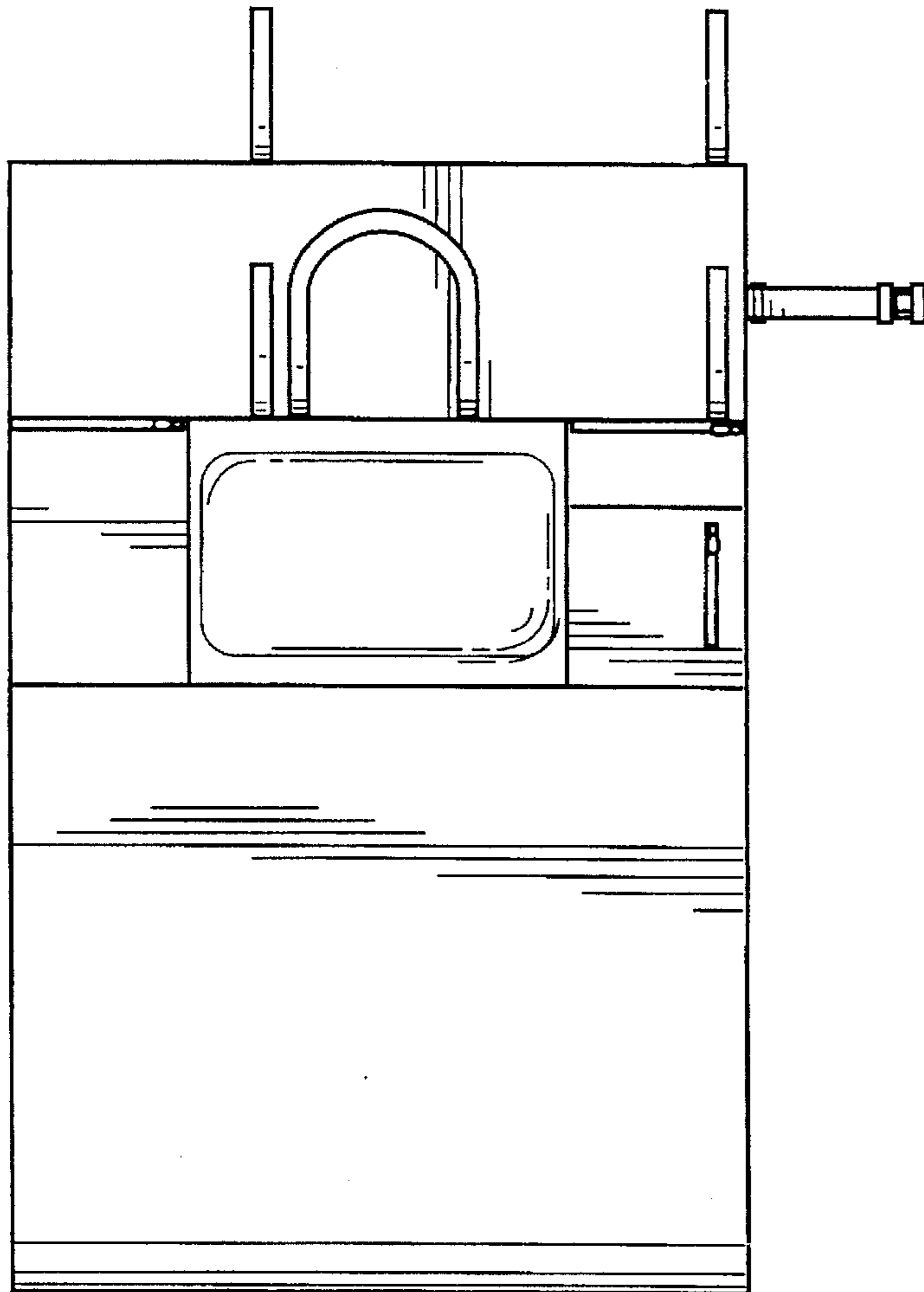


FIG. 4

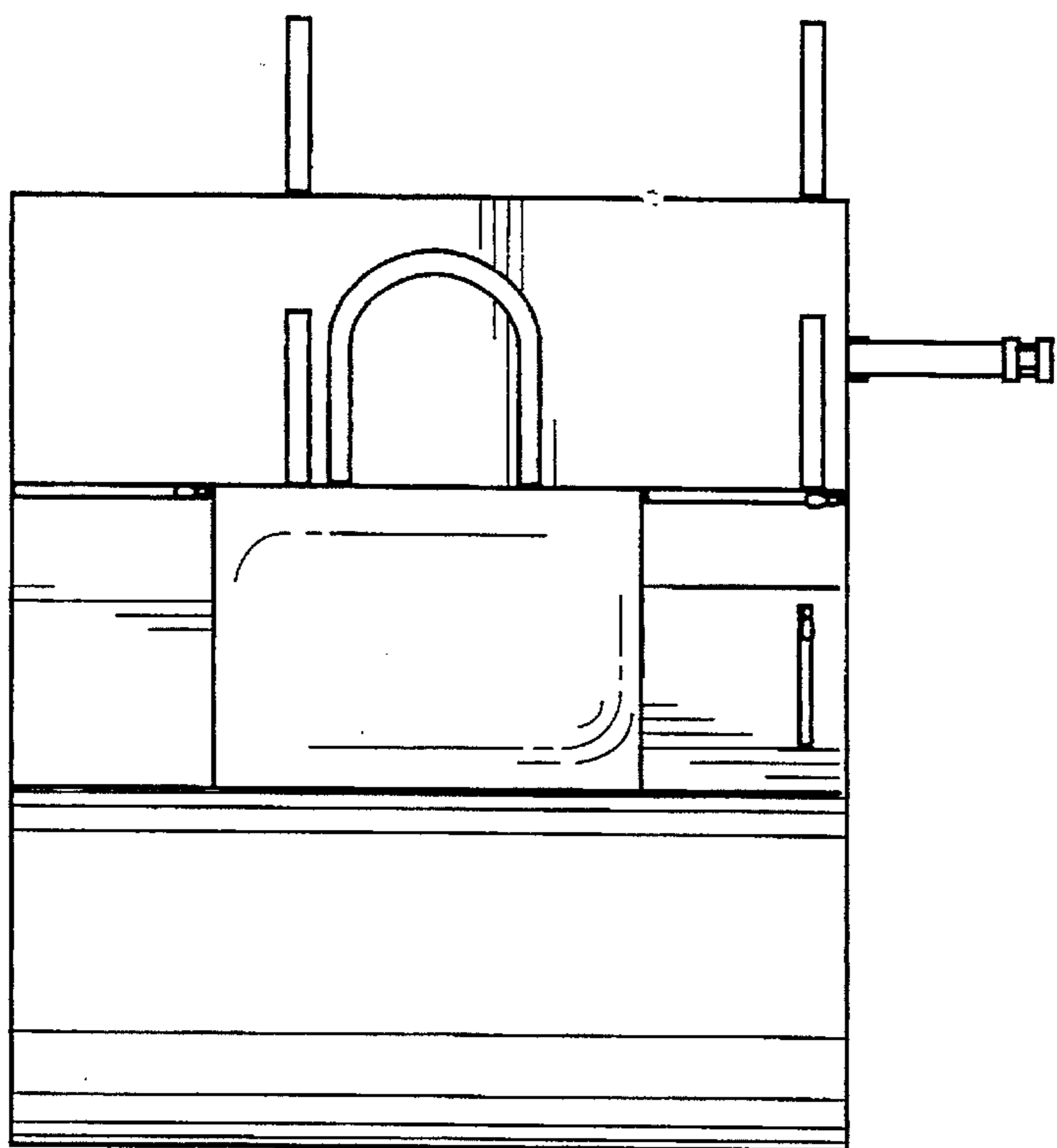


FIG. 5



FIG. 6

FIG. 7

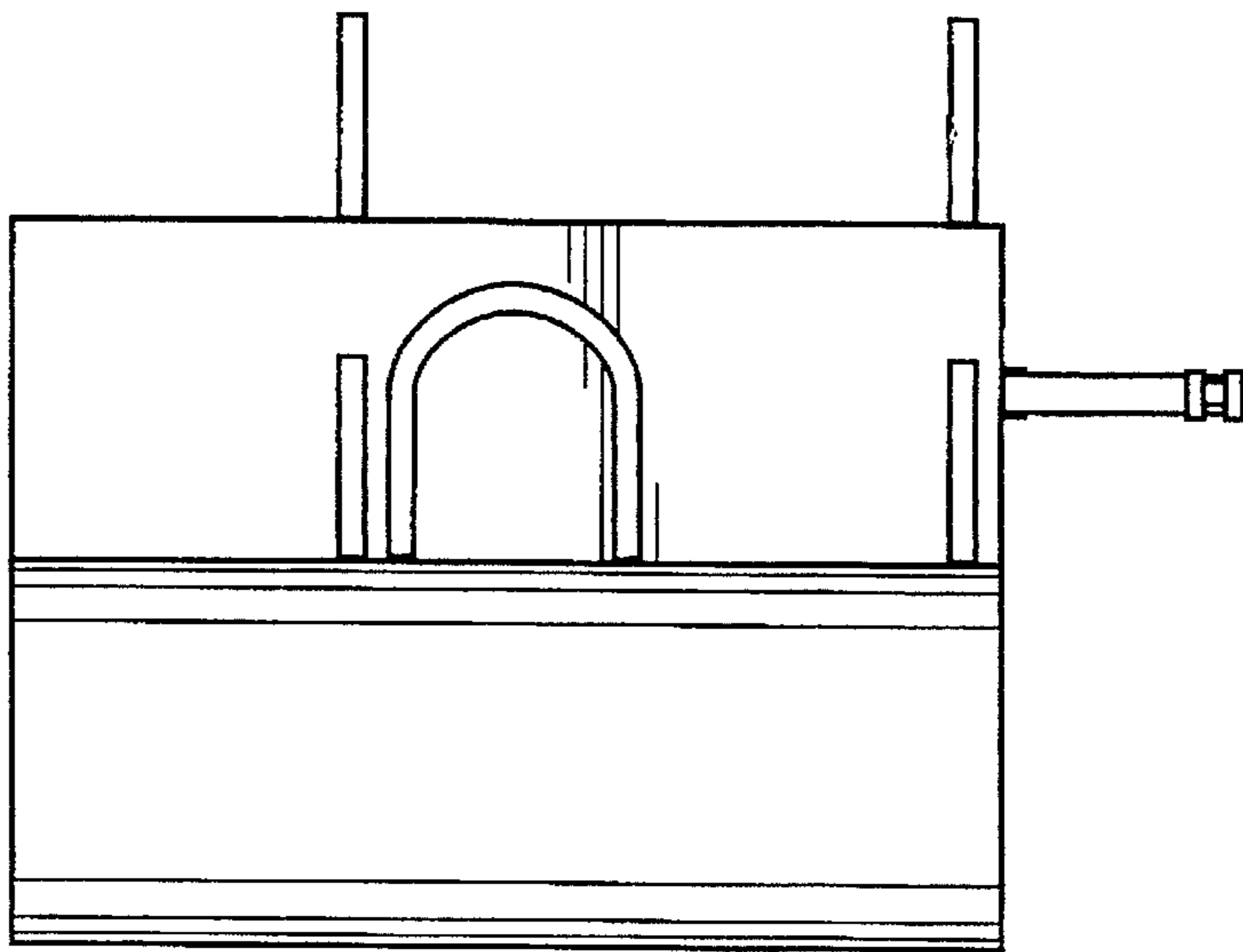


FIG. 8

FIG. 9

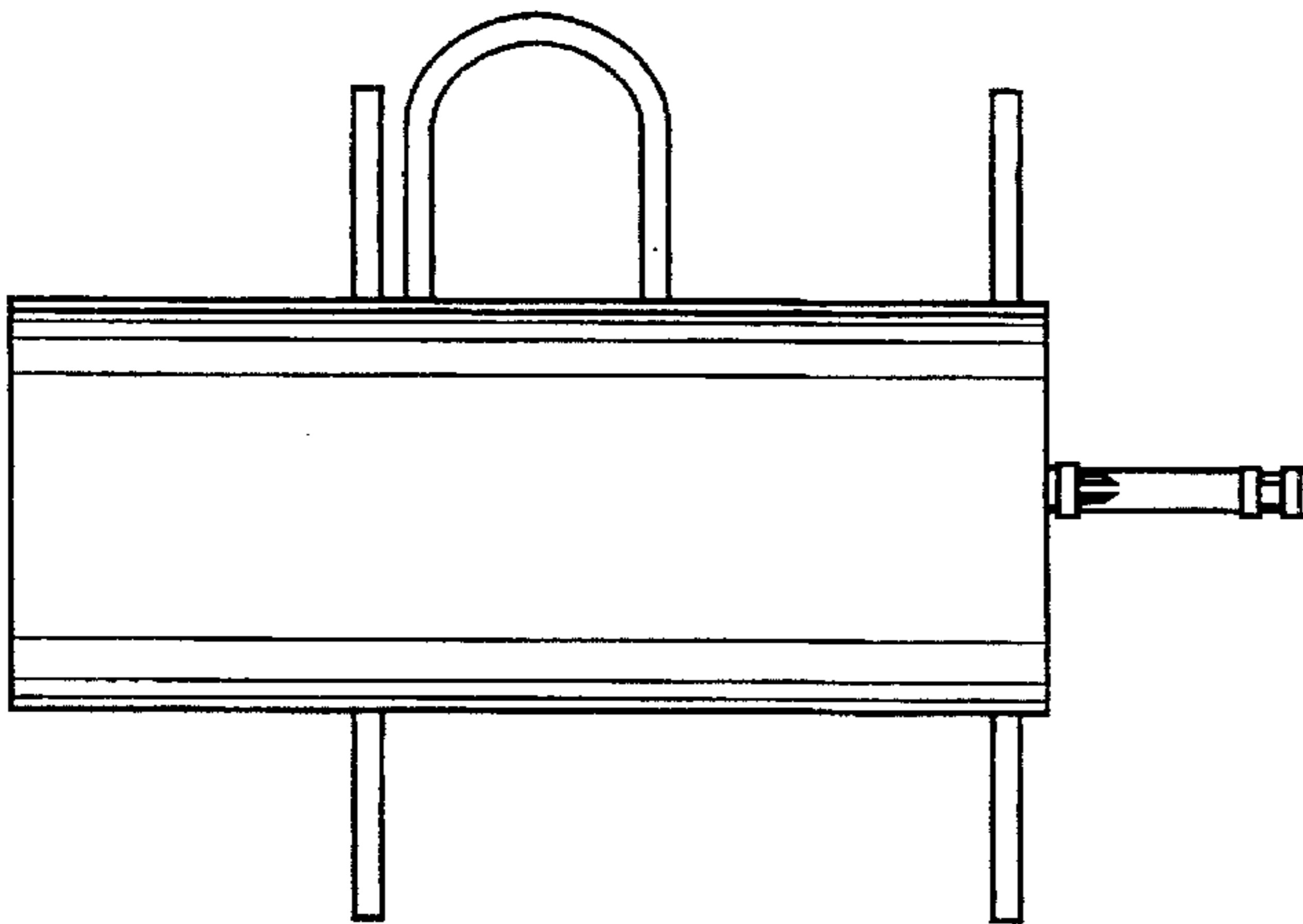


FIG. 10

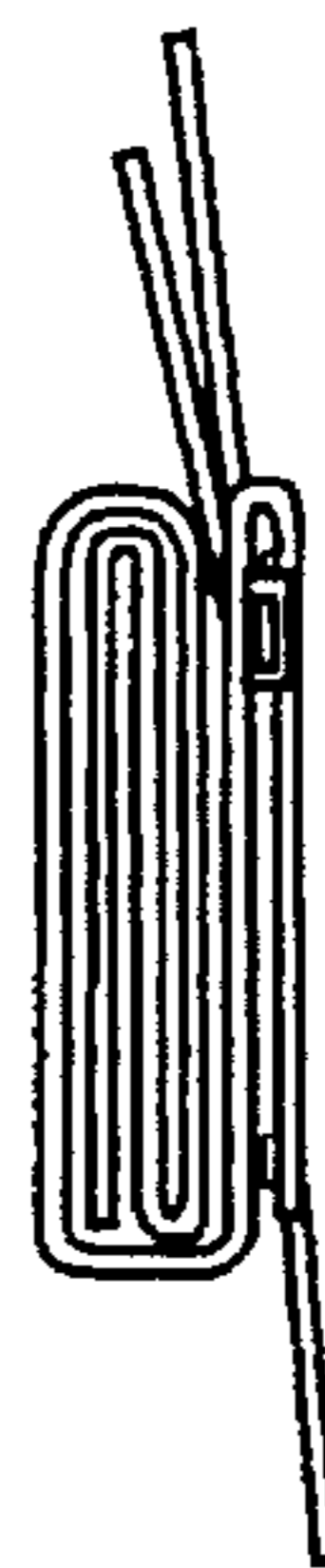


FIG. 11

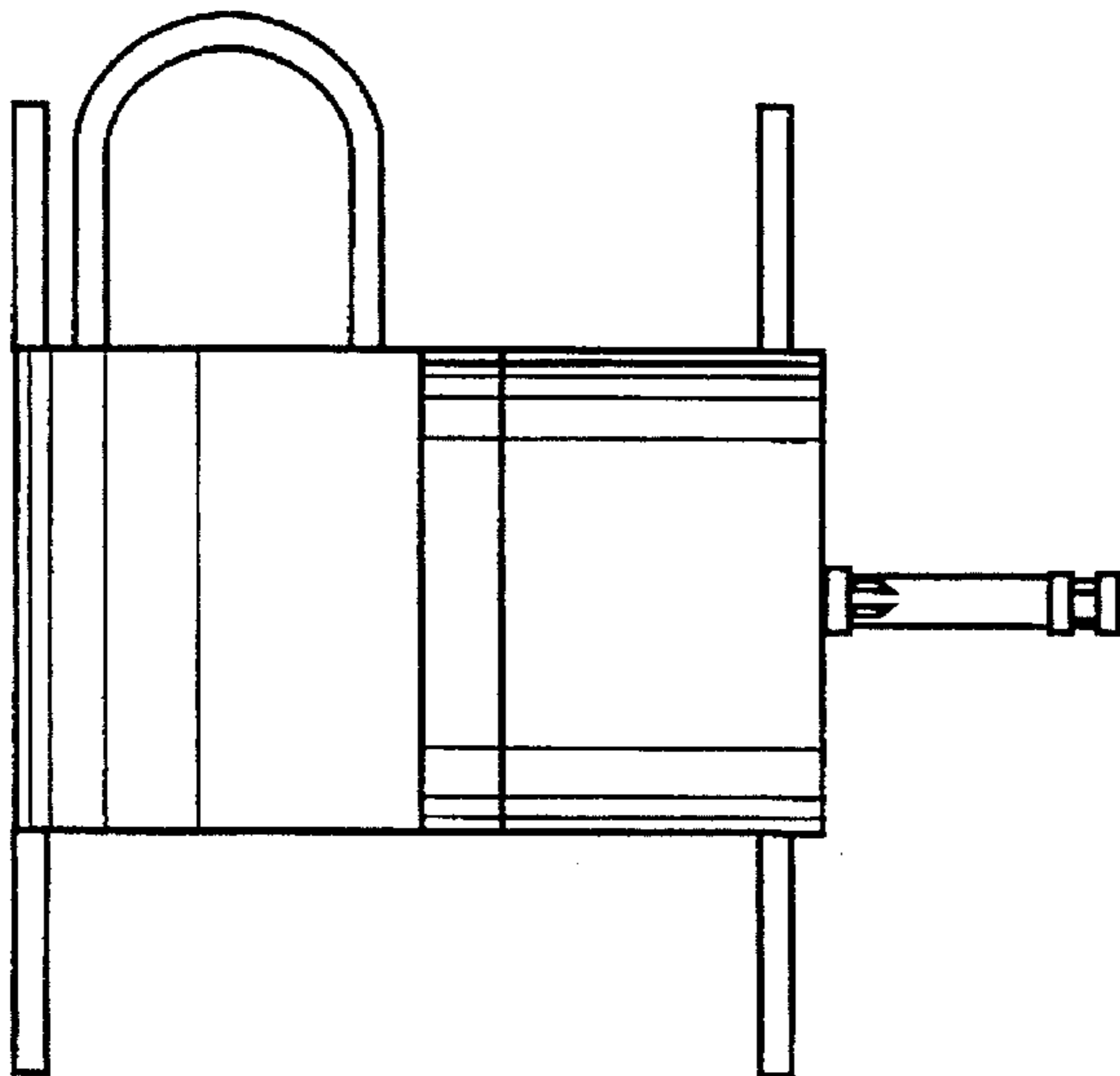


FIG. 12

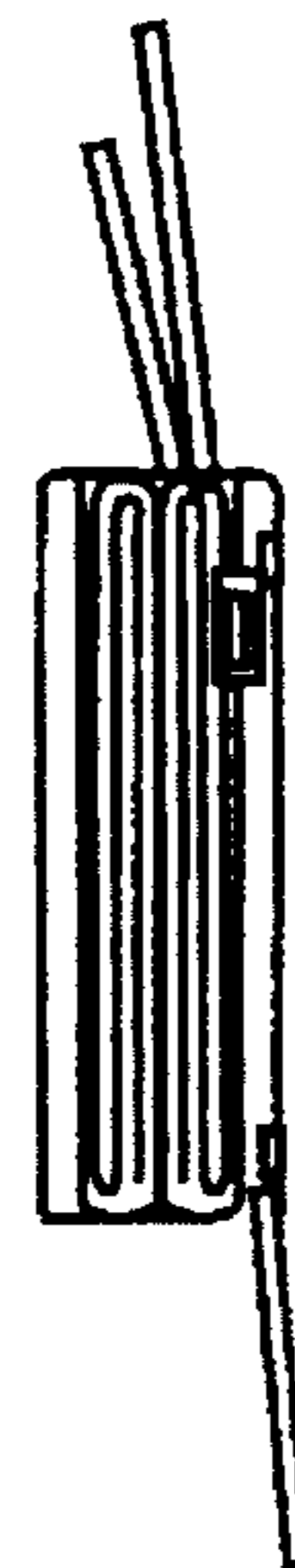


FIG. 13

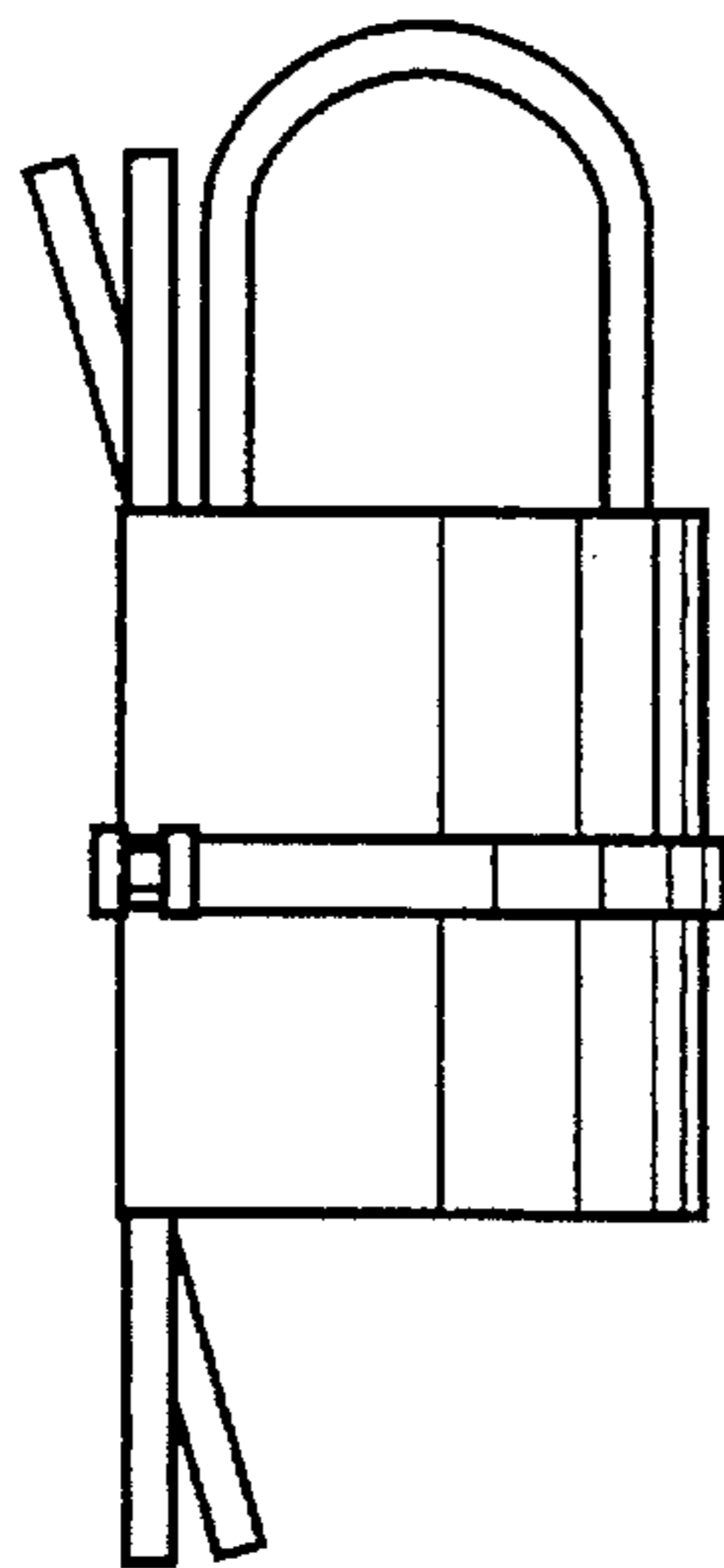


FIG. 14

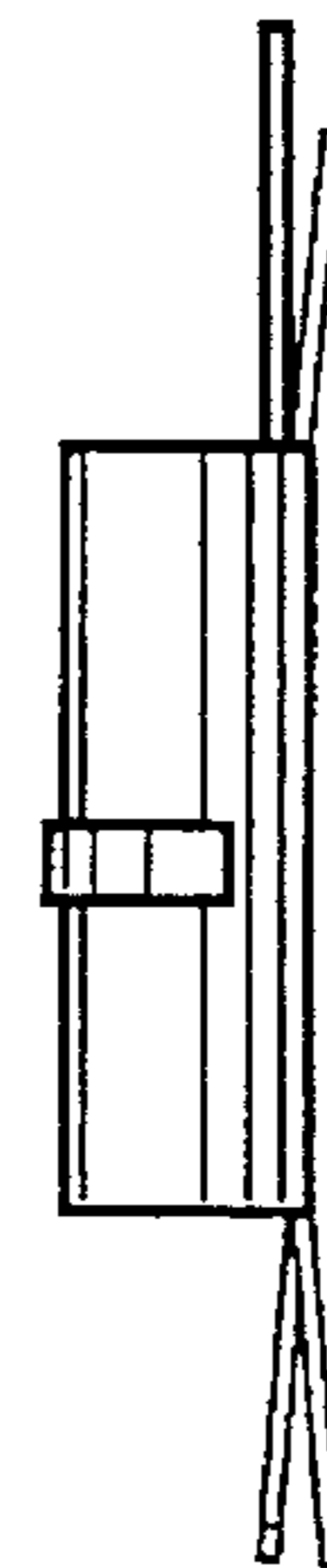


FIG. 15

