



US00D374788S

# United States Patent [19]

[11] **Patent Number: Des. 374,788**

**Scholl**

[45] **Date of Patent: \*\*Oct. 22, 1996**

[54] **SHELF**

[75] Inventor: **Winfred Scholl**, Dusseldorf, Germany

[73] Assignee: **HEWI Heinrich Wilke GmbH**,  
Arolsen, Germany

[\*\*] Term: **14 Years**

[21] Appl. No.: **31,993**

[22] Filed: **Jan. 24, 1995**

D. 265,274 7/1982 Scholl ..... D6/574  
 D. 299,896 2/1989 Harrell ..... D6/574  
 358,766 3/1887 Albro ..... 248/235  
 1,502,288 7/1924 Boye ..... 211/90 X  
 3,432,134 3/1969 Forschmidt ..... 211/90 X

*Primary Examiner*—A. Hugo Word  
*Assistant Examiner*—Lavone D. Tabor  
*Attorney, Agent, or Firm*—Michael J. Striker

### Related U.S. Application Data

[62] Division of Ser. No. 662,806, Feb. 27, 1991, Pat. No. Des. 358,732.

### Foreign Application Priority Data

Aug. 27, 1990 [DE] Germany ..... M9005636.1

[52] **U.S. Cl.** ..... **D6/574**

[58] **Field of Search** ..... D6/553, 555, 567,  
D6/574; 108/28, 29, 30, 32, 47, 150; 211/87,  
88, 90, 134; 248/235, 250

### References Cited

#### U.S. PATENT DOCUMENTS

D. 201,023 5/1965 Sonneveldt et al. .... D6/574

### [57] CLAIM

The ornamental design for a shelf, as shown and described.

### DESCRIPTION

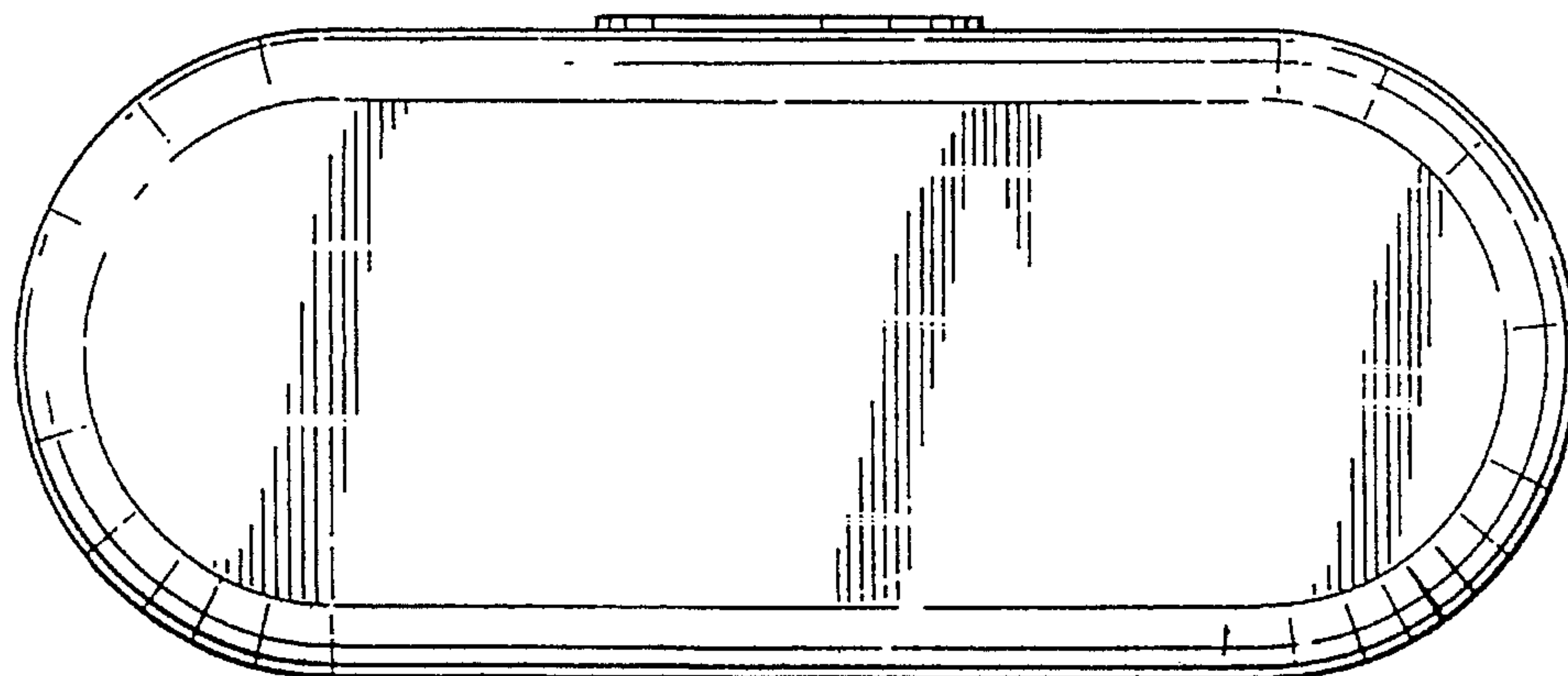
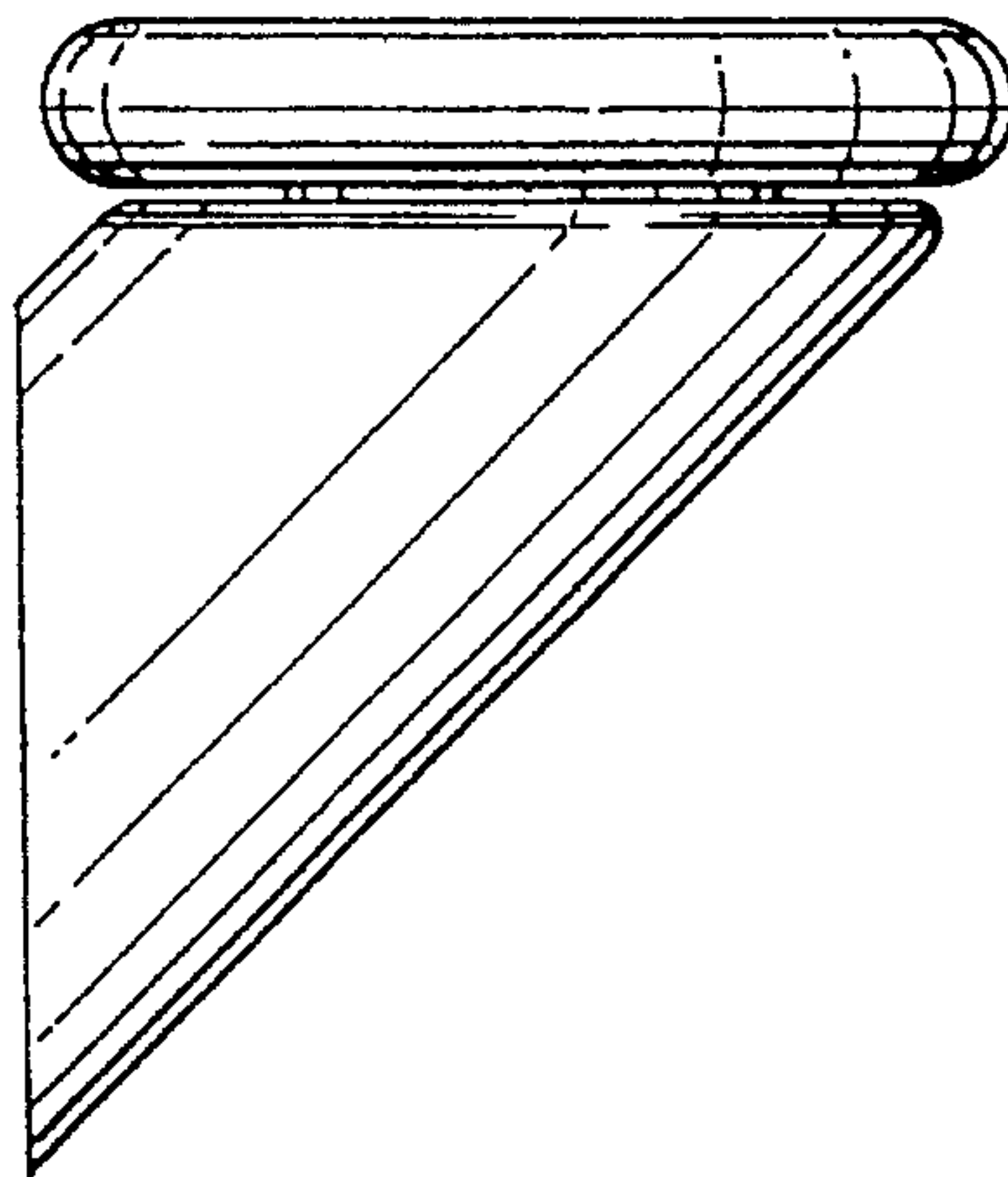
FIG. 1 is a front elevational view of a shelf showing my new design, the rear being unornamented and following the contour shown at left of FIG. 2;

FIG. 2 is a side elevational view thereof, the opposite side being a mirror image;

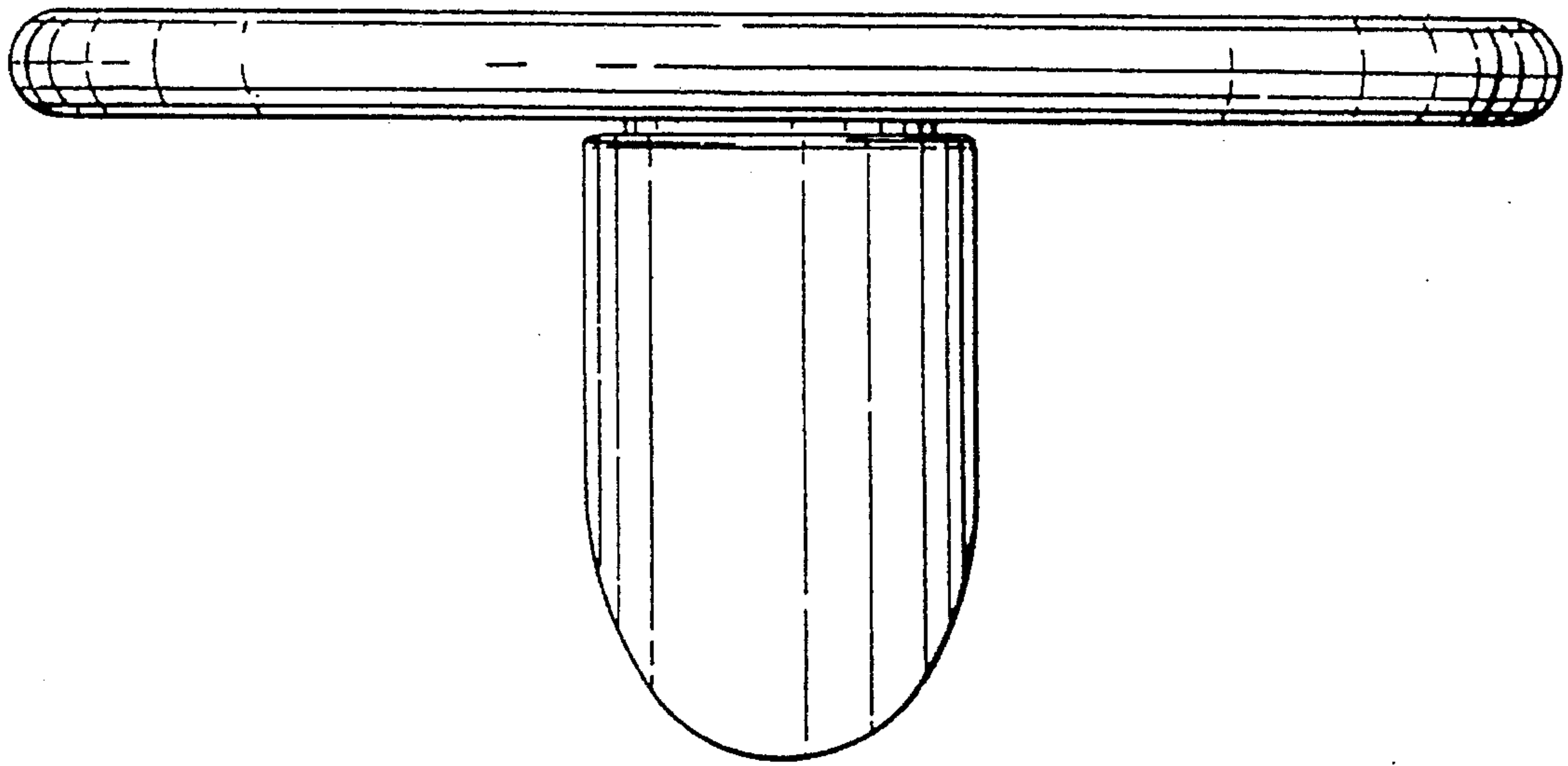
FIG. 3 is a top plan view thereof, the bottom being unornamented and following the contour shown at the bottom of FIGS. 1 and 2; and,

Fig. 4 is a perspective view thereof.

**1 Claim, 2 Drawing Sheets**



*Fig. 1*



*Fig. 3*

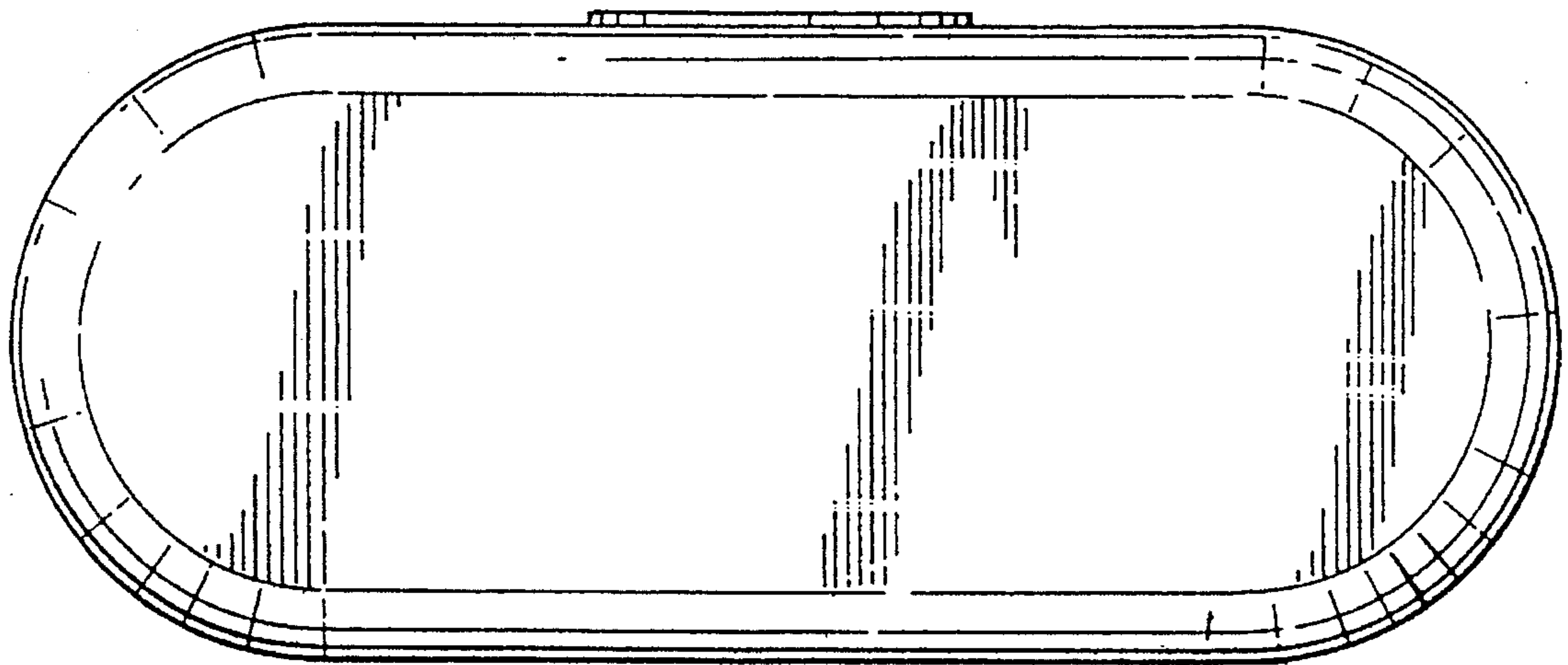


Fig. 2

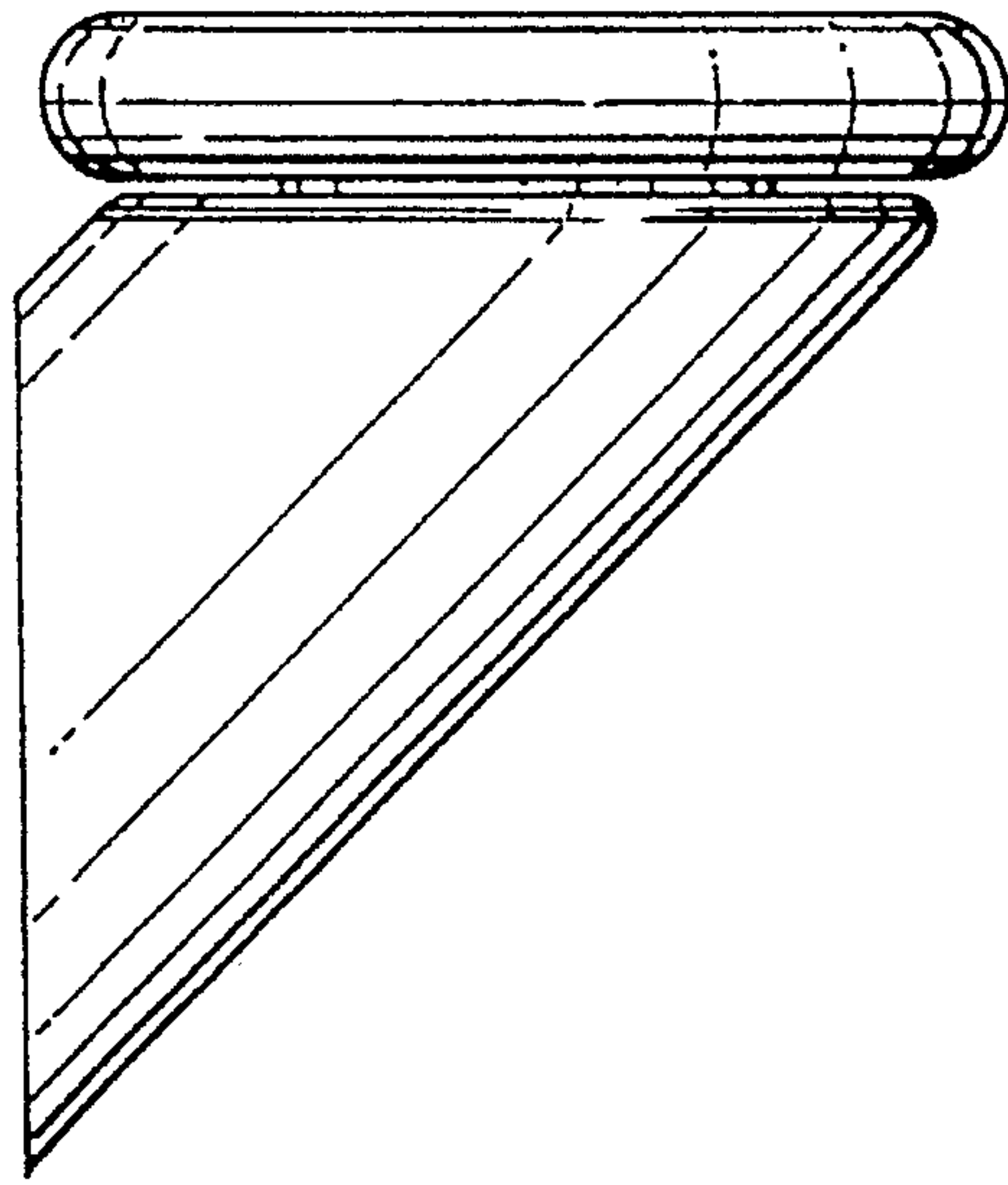


Fig. 4

