



US00D374787S

United States Patent [19]

[11] **Patent Number: Des. 374,787**

Stoddard et al.

[45] **Date of Patent: **Oct. 22, 1996**

[54] **TABLE**

[75] Inventors: **John P. Stoddard**, London, United Kingdom; **David F. Lyons**, Grosse Pointe Farms, Mich.; **Roberto G. Fraquelli**, London, United Kingdom

[73] Assignee: **Haworth, Inc.**, Holland, Mich.

[**] Term: **14 Years**

[21] Appl. No.: **40,074**

[22] Filed: **Jun. 9, 1995**

[52] U.S. Cl. **D6/484**

[58] Field of Search D6/480-489, 495-499, D6/423, 429; 108/153, 156, 161; 248/188, 188.1, 188.7

Haworth "Furniture That Works—Office Desking System" brochure, Haworth, Inc., 1994 (4 pages).

Steelcase "Ellipse Desk System" Product Overview brochure, Steelcase Inc., 1994, (22 pages).

Steelcase "Ellipse Desk System" Product Overview appearance performance brochure, Steelcase Inc., (14 pages).

Steelcase Inc. "The art of working brings you . . . unlimited possibilities" Ellipse brochure, (11 pages).

Various pages (8 pages) from Krueger Price List Guide for various "WorkZone" products.

Herman Miller "Newhouse Group Furniture" brochure, Herman Miller, Inc., 1988, (12 pages).

Herman Miller "Newhouse Group Furniture" Planning Information brochure, Herman Miller, Inc., 1988, (62 pages).

[56] **References Cited**

U.S. PATENT DOCUMENTS

D. 312,928	12/1990	Scheffers	D6/429
D. 321,102	10/1991	Newhouse .	
D. 321,447	11/1991	Newhouse .	
D. 330,302	10/1992	Heidmann .	
D. 352,845	11/1994	Hellwig et al.	D6/422
4,437,411	3/1984	Maxwell	108/150
4,884,513	12/1989	Newhouse et al. .	
5,083,512	1/1992	Newhouse et al. .	
5,094,174	3/1992	Grund et al. .	
5,103,741	4/1992	Grund et al. .	
5,154,126	10/1992	Newhouse et al. .	
5,183,319	2/1993	Pearson et al. .	
5,237,935	8/1993	Newhouse et al. .	
5,394,809	3/1995	Feldpausch et al. .	

FOREIGN PATENT DOCUMENTS

3005173	8/1981	Germany	108/156
---------	--------	---------------	---------

OTHER PUBLICATIONS

Domus, Nov. 1978, p. 35, table at top right.
"The Teknion Office System—TeknionTwo—Panel System and Desk System" brochure, Teknion Furniture Systems, (8 pages).

Primary Examiner—Janice E. Seeger

Attorney, Agent, or Firm—Flynn, Thiel, Boutell & Tanis, P.C.

[57] **CLAIM**

The ornamental design of a table, as shown as described.

DESCRIPTION

FIG. 1 is a perspective view of a table embodying our design;

FIG. 2 is a right-side elevational view thereof, the left-side elevational view being a mirror image thereof;

FIG. 3 is a top plan view thereof;

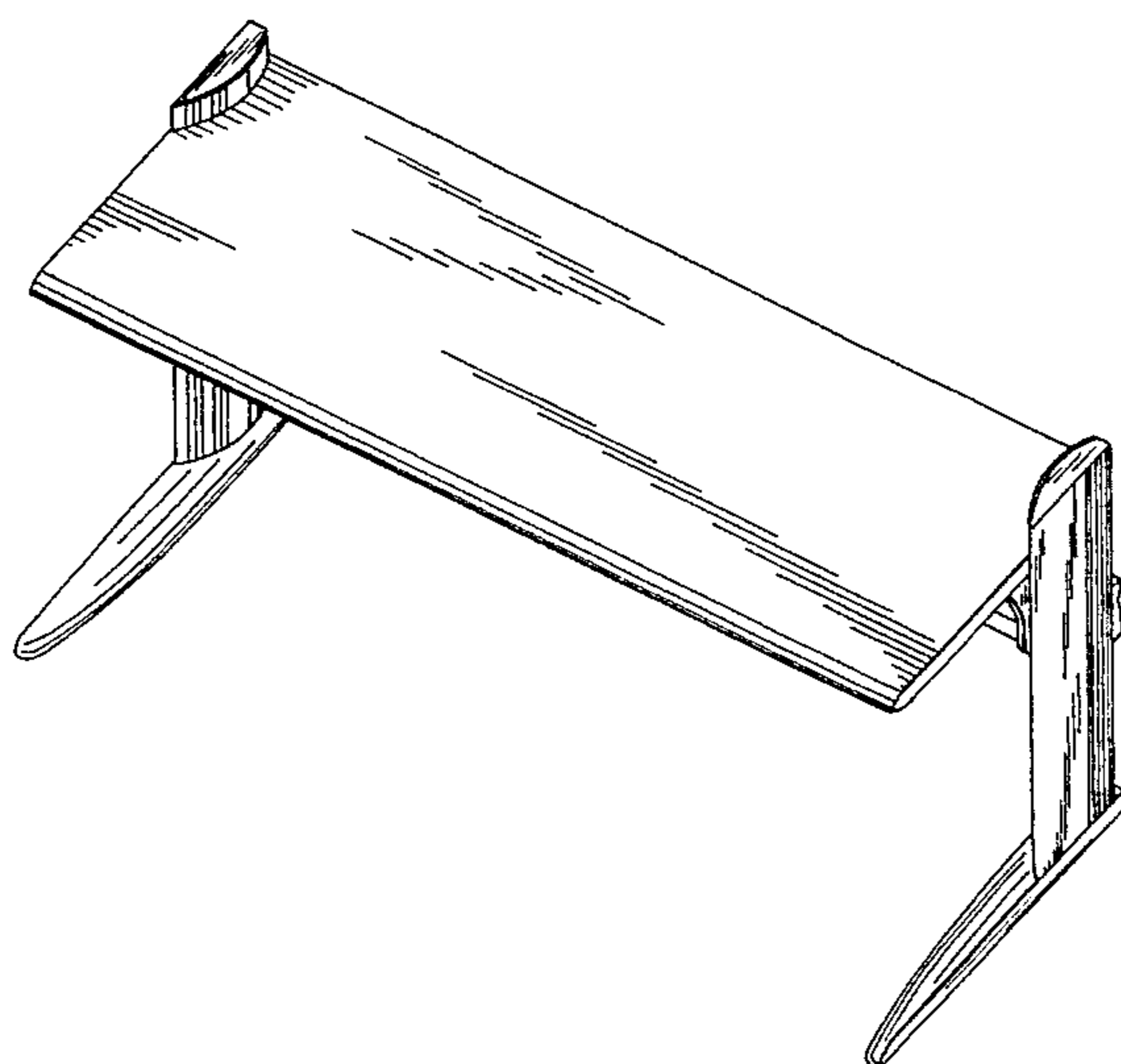
FIG. 4 is a bottom view thereof;

FIG. 5 is a front elevational view thereof;

FIG. 6 is a rear elevational view thereof; and,

FIG. 7 is an enlarged cross sectional view along line 7—7 in FIG. 2.

1 Claim, 3 Drawing Sheets



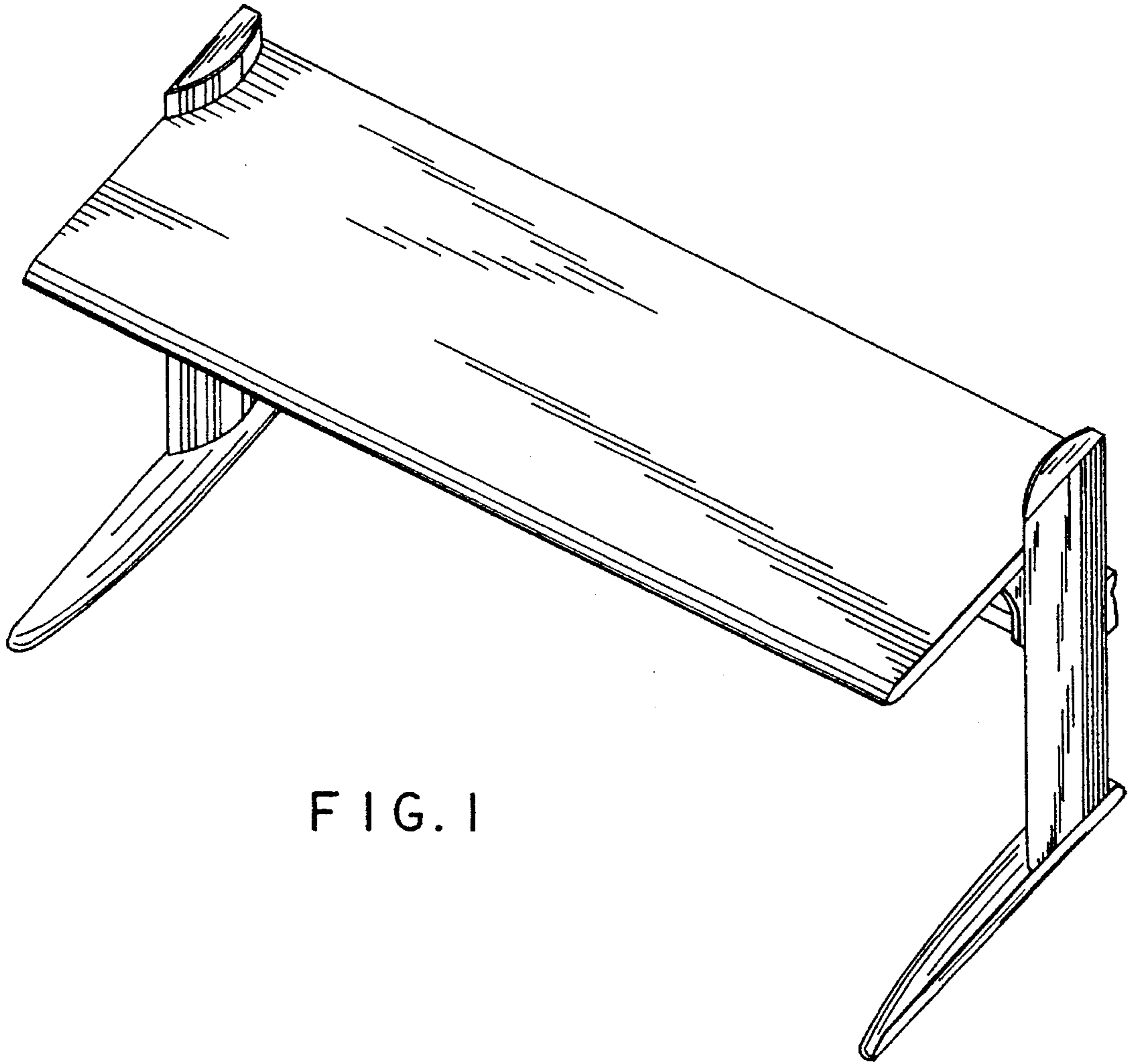


FIG. 1

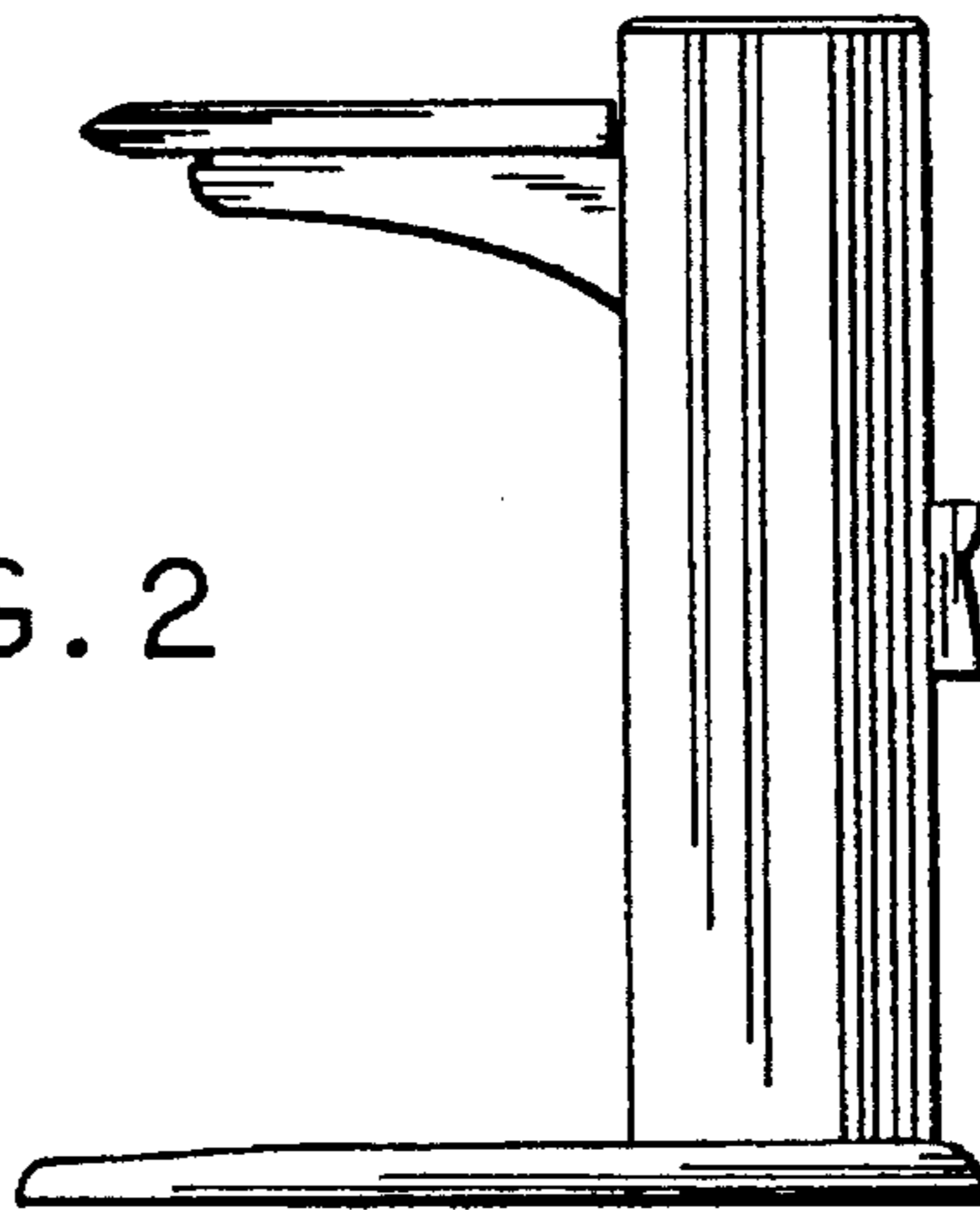


FIG. 2

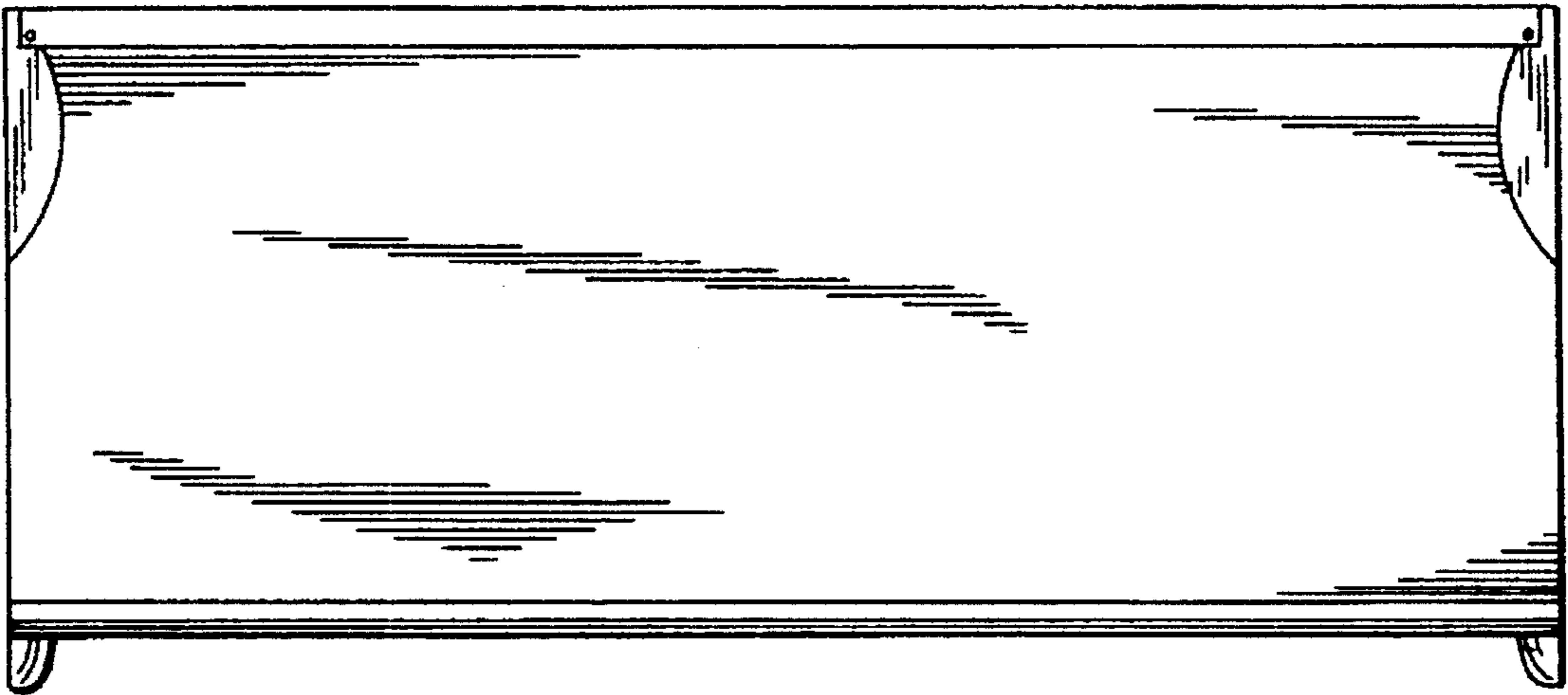


FIG. 3

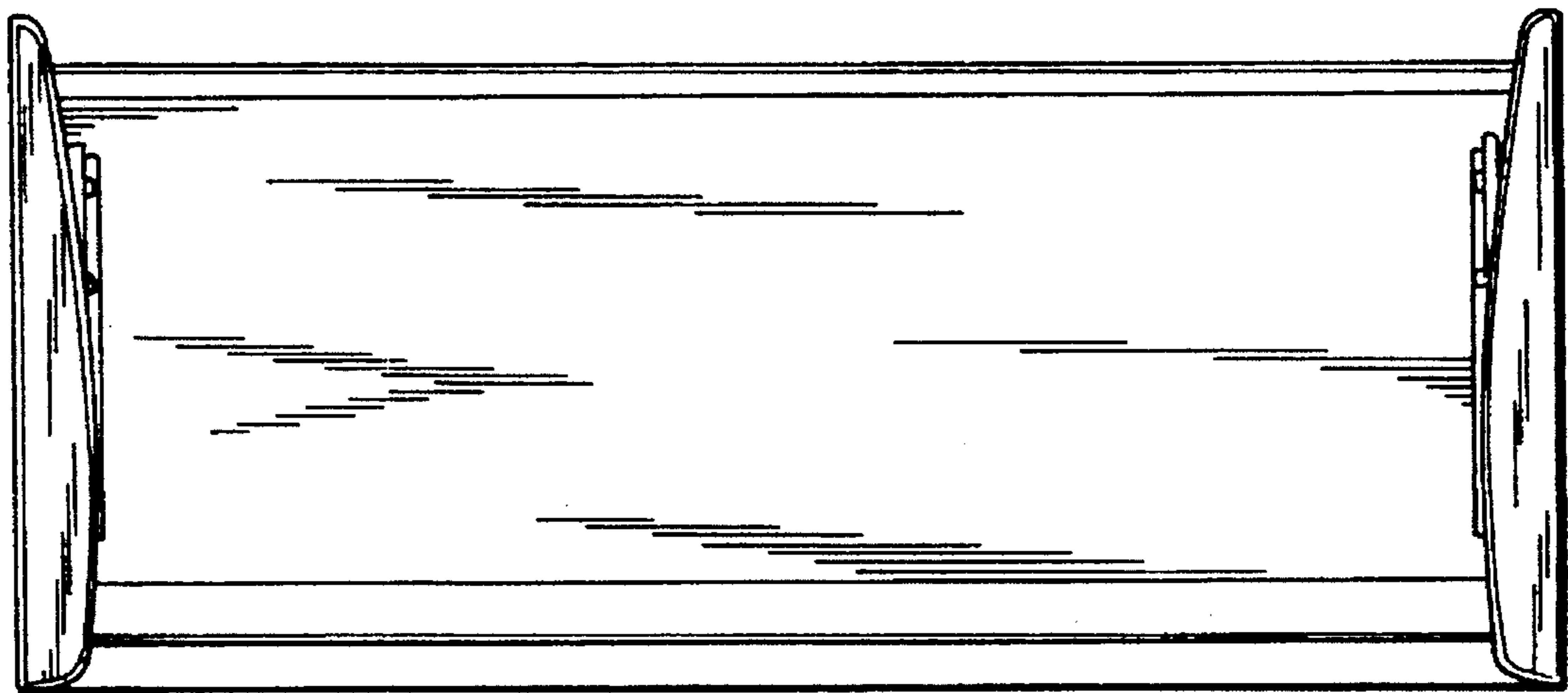


FIG. 4

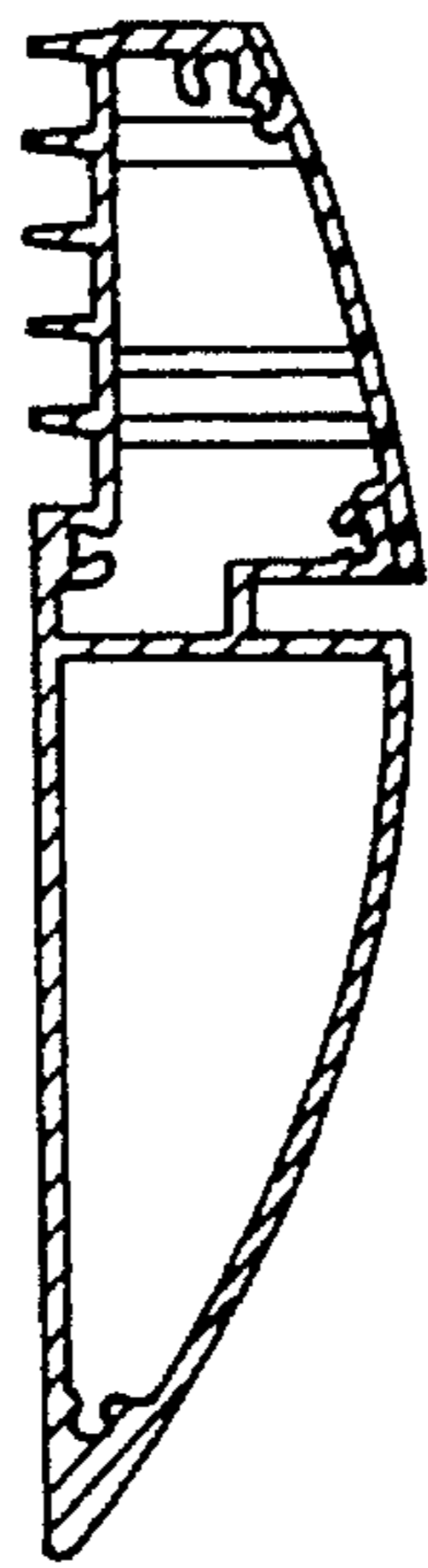


FIG. 7

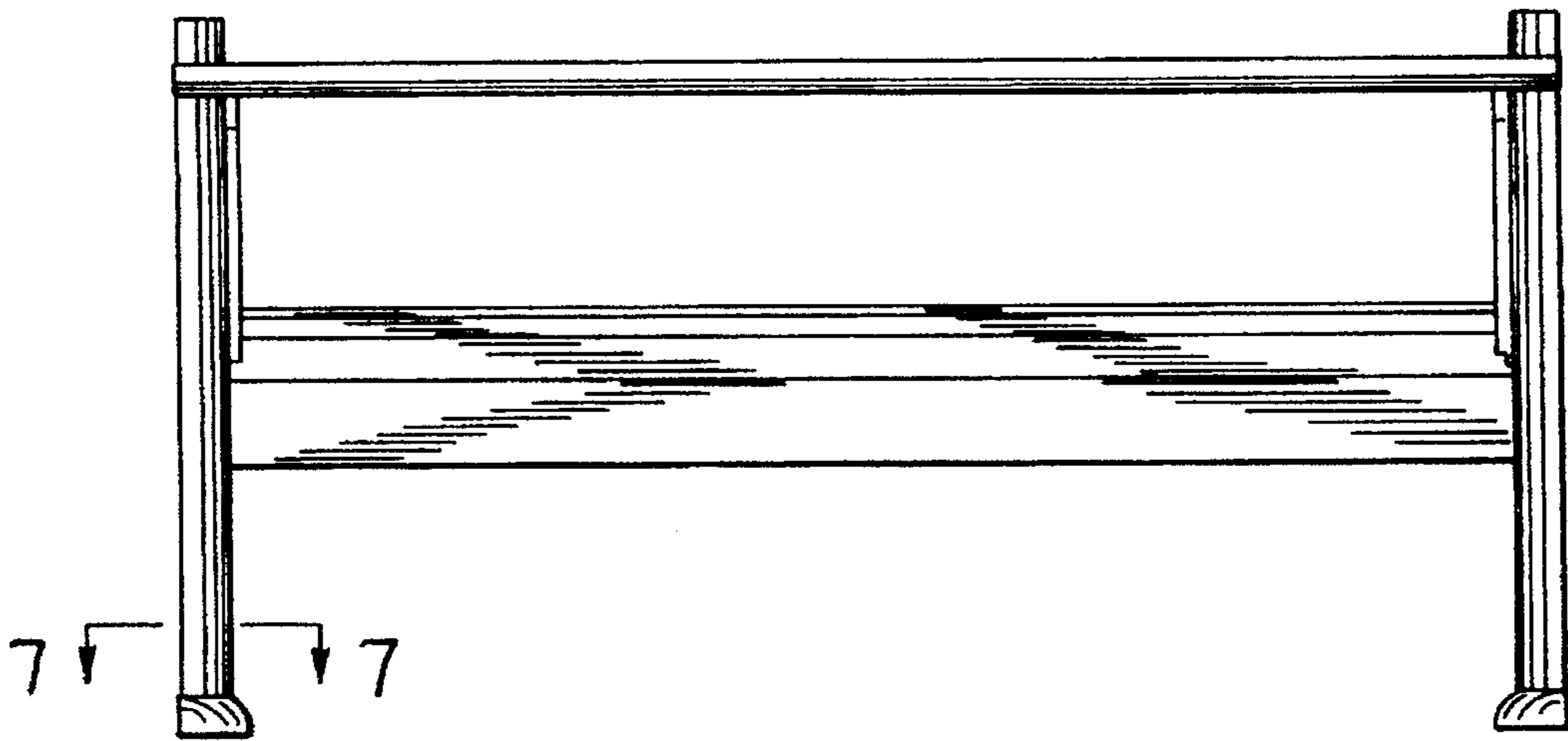


FIG. 5

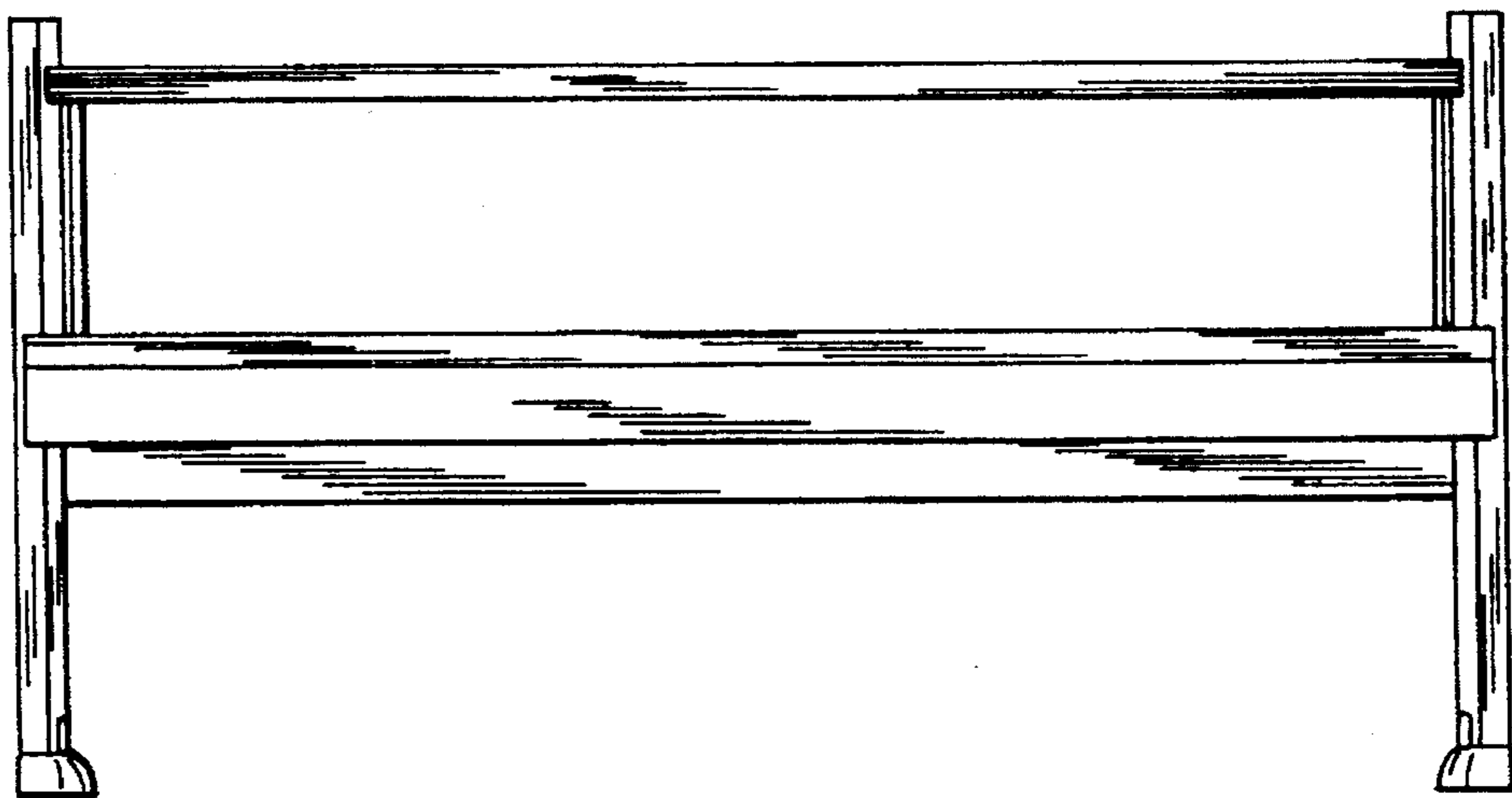


FIG. 6

UNITED STATES PATENT AND TRADEMARK OFFICE
CERTIFICATE OF CORRECTION

PATENT NO. : Des. 374,787
DATED : October 22, 1996
INVENTOR(S) : John P. Stoddard et al

It is certified that error appears in the above-identified patent and that said Letters Patent is hereby corrected as shown below:

On the title page under "DESCRIPTION", line 10;
change "FIG. 2." to ---FIG. 5.---

Signed and Sealed this
Eighteenth Day of March, 1997



Attest:

BRUCE LEHMAN

Attesting Officer

Commissioner of Patents and Trademarks