



US00D374786S

United States Patent [19]

Liebers

[11] Patent Number: **Des. 374,786**

[45] Date of Patent: ****Oct. 22, 1996**

[54] **EYEGLOSS DISPLAY SUPPORT**

[76] Inventor: **Steven B. Liebers**, 2554 Industry La.,
Norristown, Pa. 19403

[**] Term: **14 Years**

[21] Appl. No.: **37,131**

[22] Filed: **Apr. 4, 1995**

[52] U.S. Cl. **D6/468; D20/42**

[58] Field of Search D20/10, 41, 43,
D20/44, 42; D6/328, 327, 320, 317, 459,
460, 462, 455, 474, 468; 248/302, 902;
40/124, 124.1, 124.2; 211/71, 86, 87, 88,
90, 13

[56] **References Cited**

U.S. PATENT DOCUMENTS

D. 314,114	1/1991	Steinman	D6/396
D. 321,444	11/1991	Khantzis	D20/41
3,195,731	7/1965	Bomar, Jr.	211/13
4,204,602	5/1980	Dunchock	211/13

Primary Examiner—Marcus A. Jackson

Attorney, Agent, or Firm—Caesar, Rivise, Bernstein, Cohen
& Pokotilow, Ltd.

[57] **CLAIM**

The ornamental design for an eyeglass display support, as shown and described.

DESCRIPTION

FIG. 1 is a perspective view of an eyeglass display support, showing my new design;
 FIG. 2 is a left side elevational view thereof;
 FIG. 3 is a front elevational view thereof;
 FIG. 4 is a rear elevational view thereof;
 FIG. 5 is a top plan view thereof;
 FIG. 6 is a bottom plan view thereof; and,
 FIG. 7 is a perspective view of a second embodiment thereof, wherein the only difference resides in the multiple support member and with the broken line showing for illustrative purposes only and forming no part of the claimed design.

1 Claim, 3 Drawing Sheets

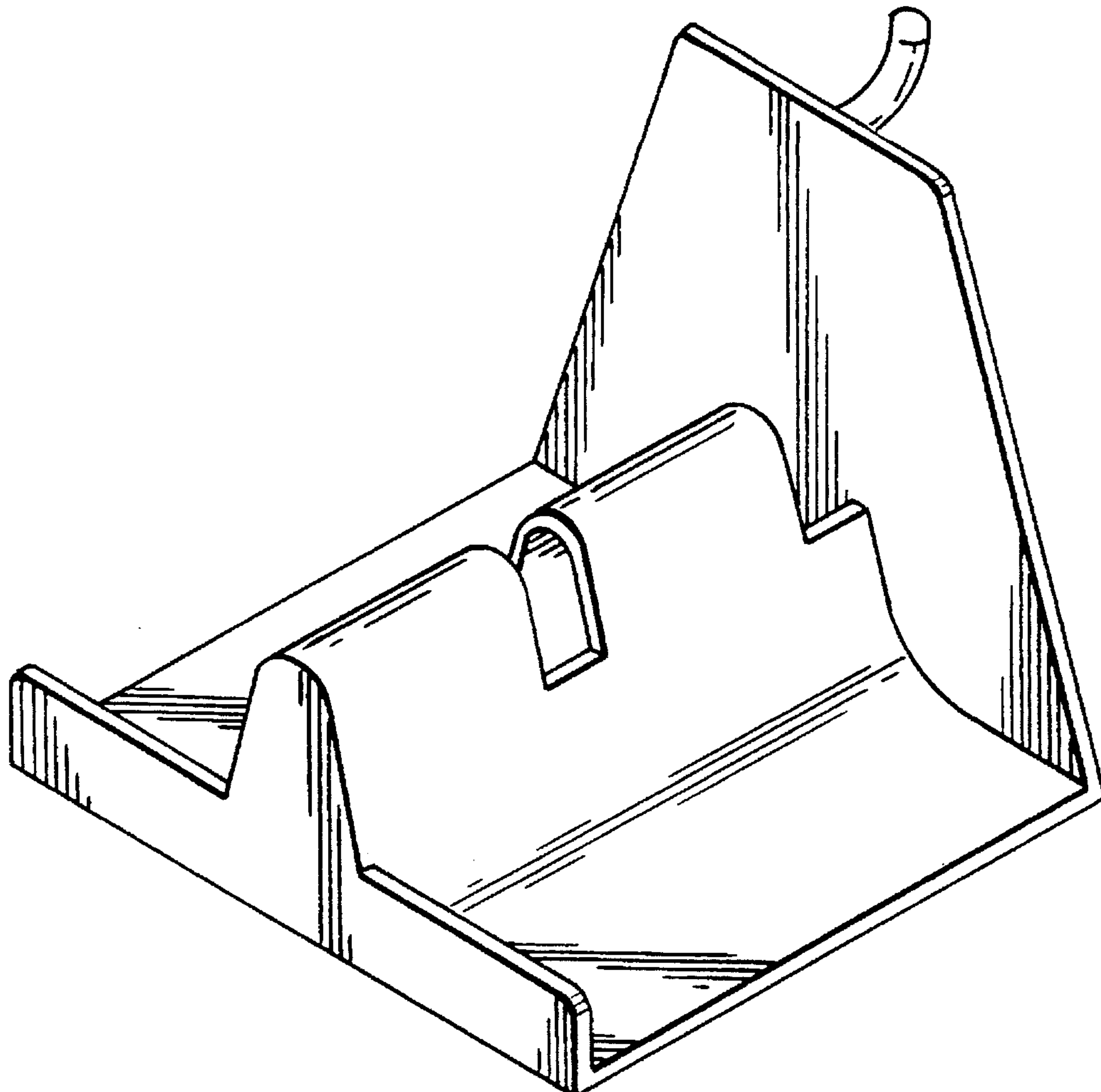


FIG. 1

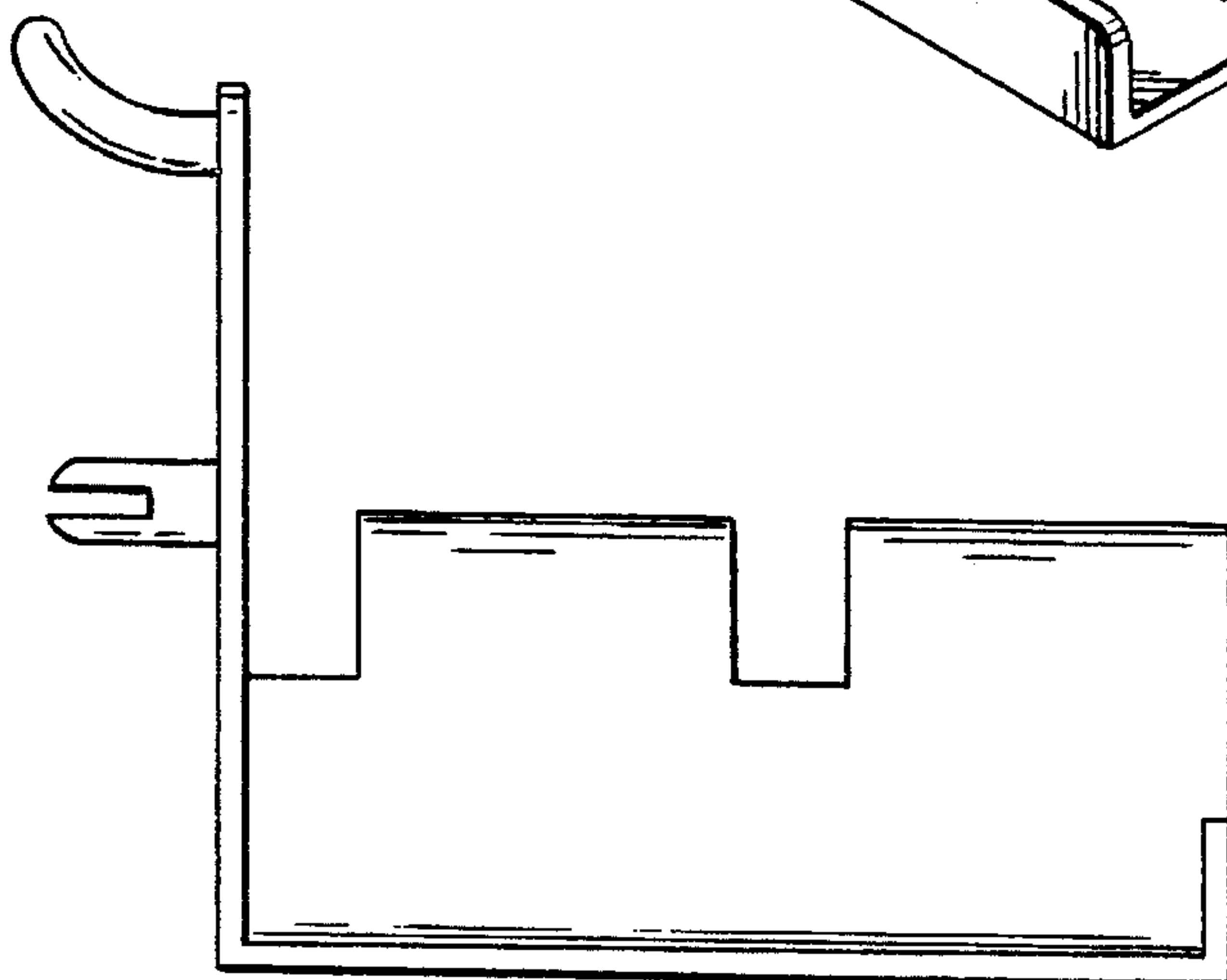
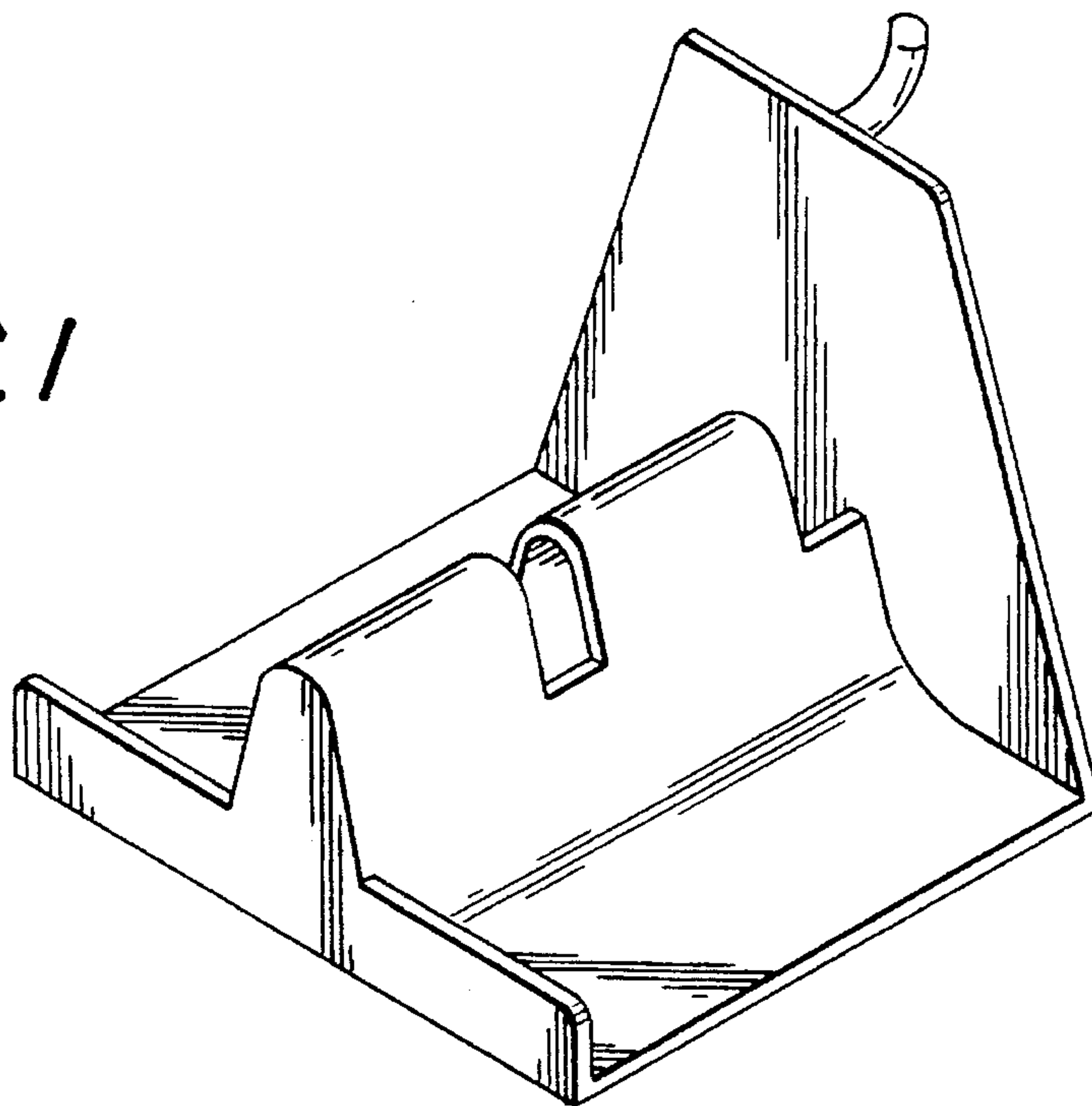


FIG. 2

FIG. 3

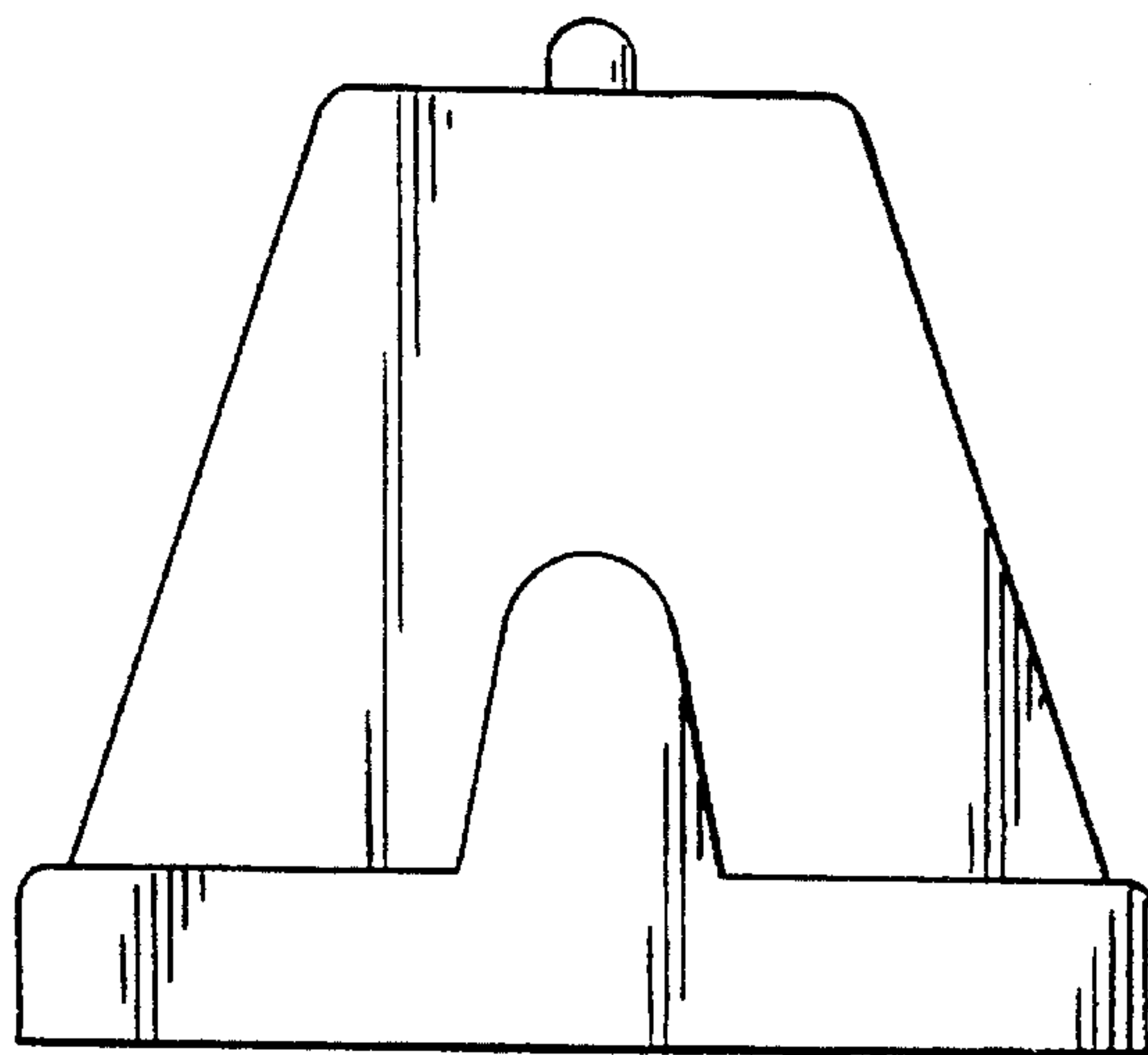


FIG. 4

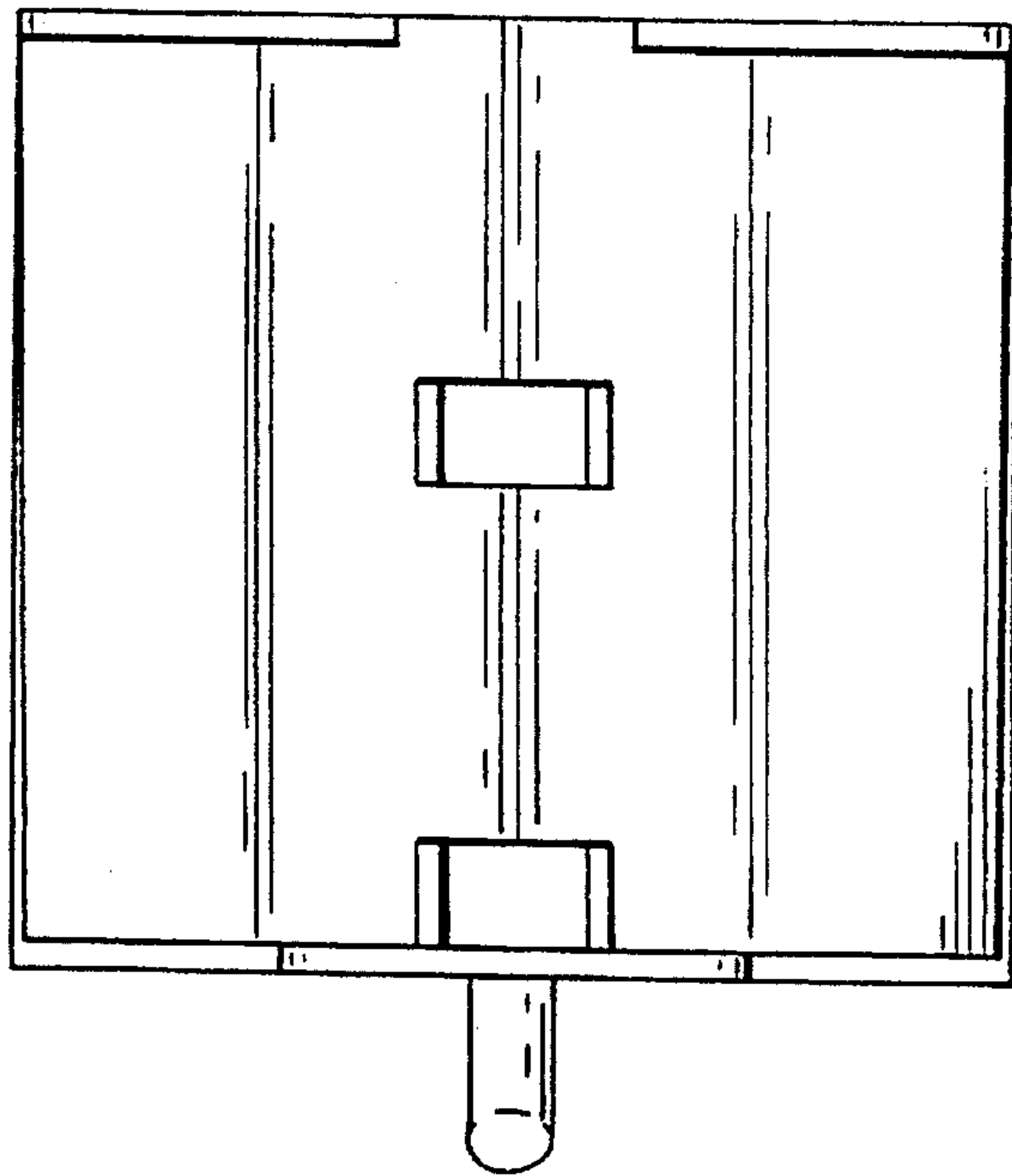
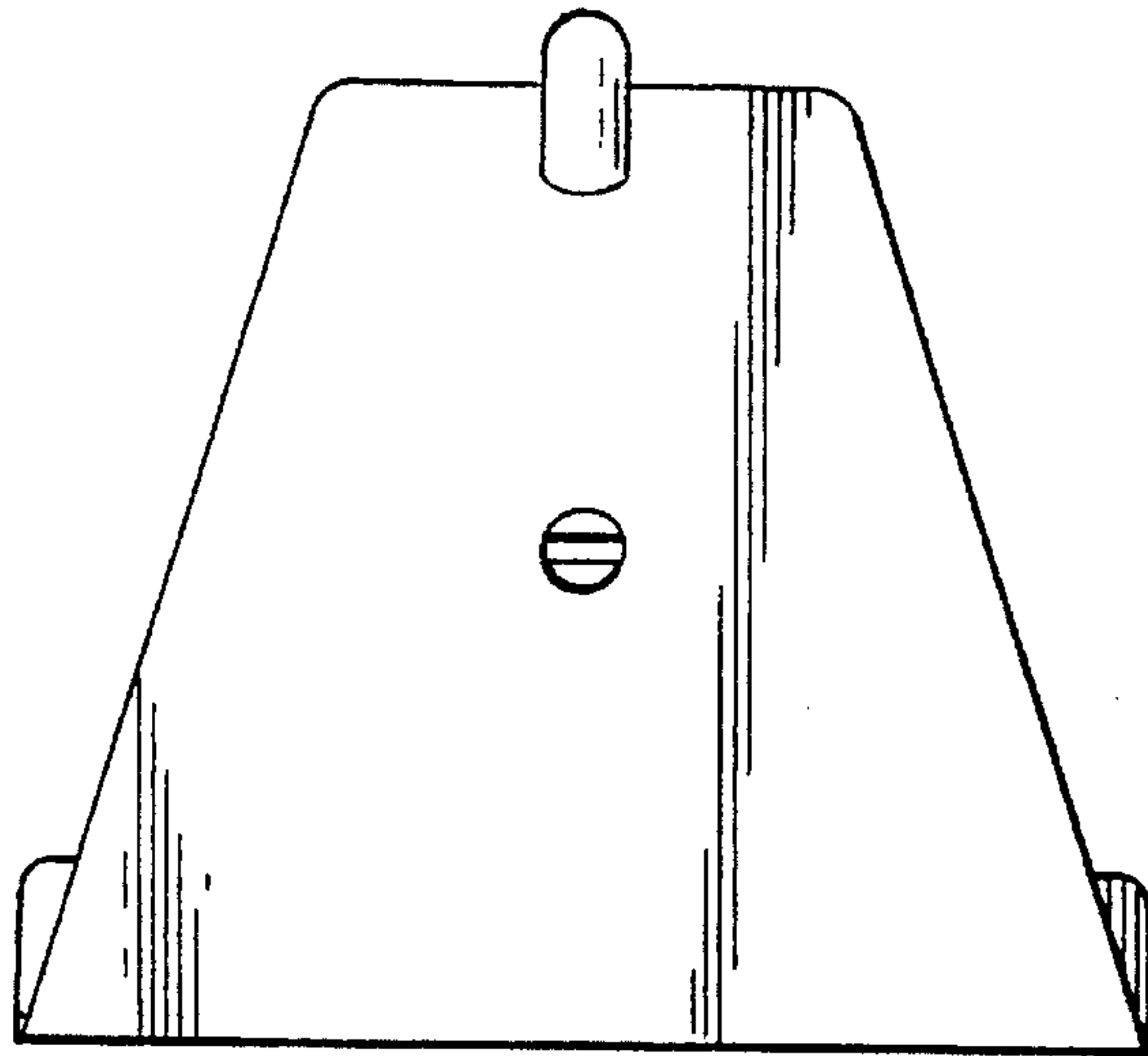


FIG. 5

FIG. 6

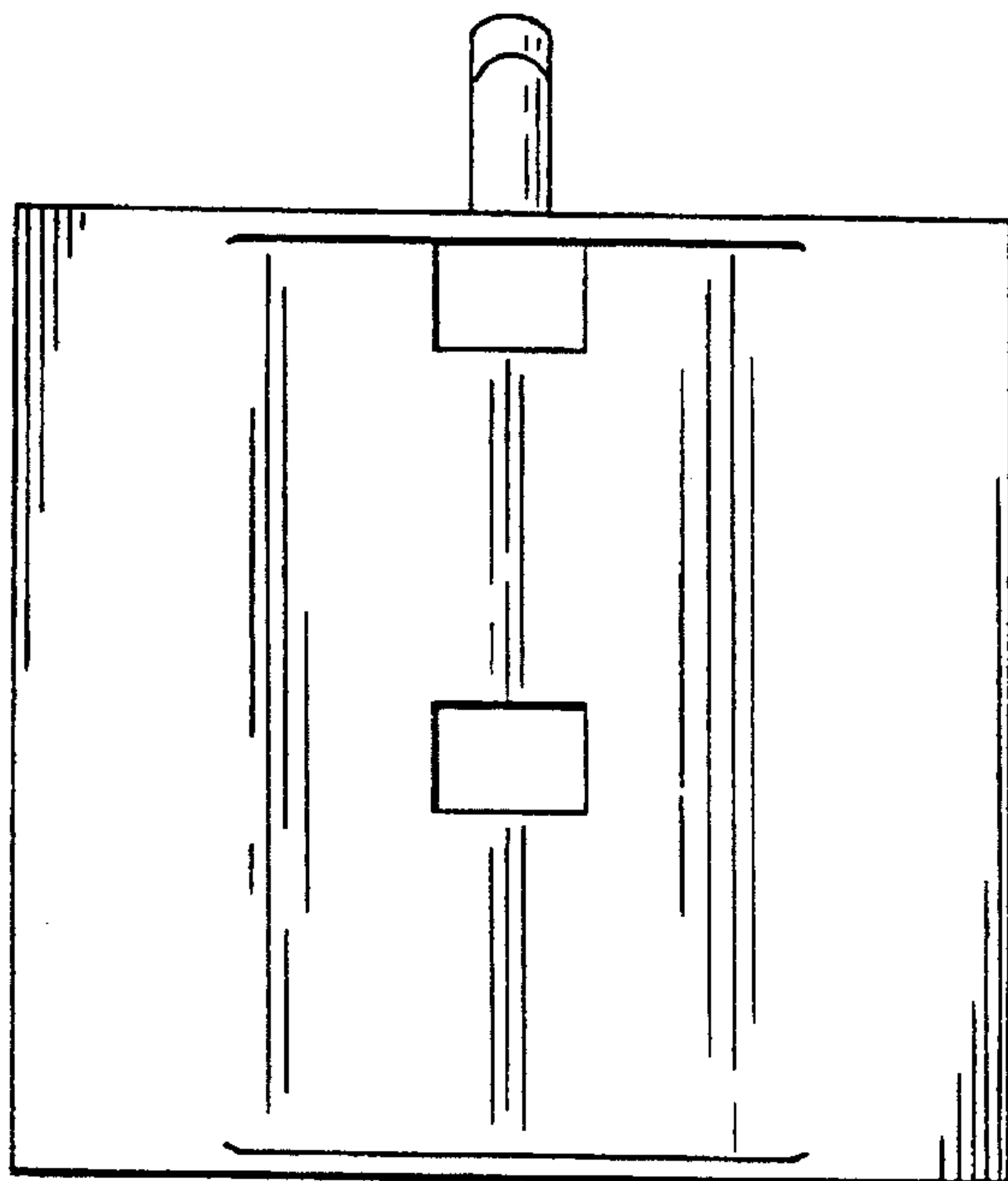


FIG. 7

