



US00D374784S

United States Patent [19]

[11] **Patent Number: Des. 374,784**

Brunner et al.

[45] **Date of Patent: **Oct. 22, 1996**

[54] **DRESSER**

[75] Inventors: **Merlin A. Brunner**, Appleton; **Harvey J. Draheim**, Weyauwega, both of Wis.

[73] Assignee: **Simmons Juvenile Products Comany, Inc.**, New London, Wis.

[**] Term: **14 Years**

[21] Appl. No.: **38,800**

[22] Filed: **May 12, 1995**

[52] U.S. Cl. **D6/445**

[58] Field of Search D6/432-448; 312/204, 312/257

[56] **References Cited**

U.S. PATENT DOCUMENTS

D. 272,210	1/1984	Brunner et al.	D6/446
D. 274,963	8/1984	Brunner et al.	D6/446
D. 357,602	4/1995	Brunner et al.	D6/446

OTHER PUBLICATIONS

Wards F/W 1974 p. 1272; 3-drawerchest dresser bottom center of page.

Simmons 'Little Folks' 1985 cat 94, p. 21; dresser base #4201 on page.

Simmons 'Little Folks' 1988 cat 97, 19; dresser base #4301 on page.

Simmons 'Little Folks' 1988 cat 97, p. 23; dresser base #4901 on page.

The Encyclopedia of Furniture 3rd edition ©1965, p. 119; #370 Louis XV Marquetry Bombé chest on stand on page.

Primary Examiner—Carmen H. Vales-Lado
Attorney, Agent, or Firm—Hoffmann & Baron

[57] **CLAIM**

The ornamental design for a dresser, as shown and described.

DESCRIPTION

FIG. 1 is a top perspective view of a dresser showing our new design;

FIG. 2 is a top plan view thereof;

FIG. 3 is a front elevation view thereof;

FIG. 4 is a side elevation view thereof, the opposite side being a mirror image thereof;

FIG. 5 is a rear elevation view thereof;

FIG. 6 is a bottom plan view thereof;

FIG. 7 is an enlarged sectional view taken along line 7—7 of FIG. 3;

FIG. 8 is an enlarged sectional view taken along line 8—8 of FIG. 3; and,

FIG. 9 is an enlarged sectional view taken along line 9—9 of FIG. 3.

1 Claim, 5 Drawing Sheets

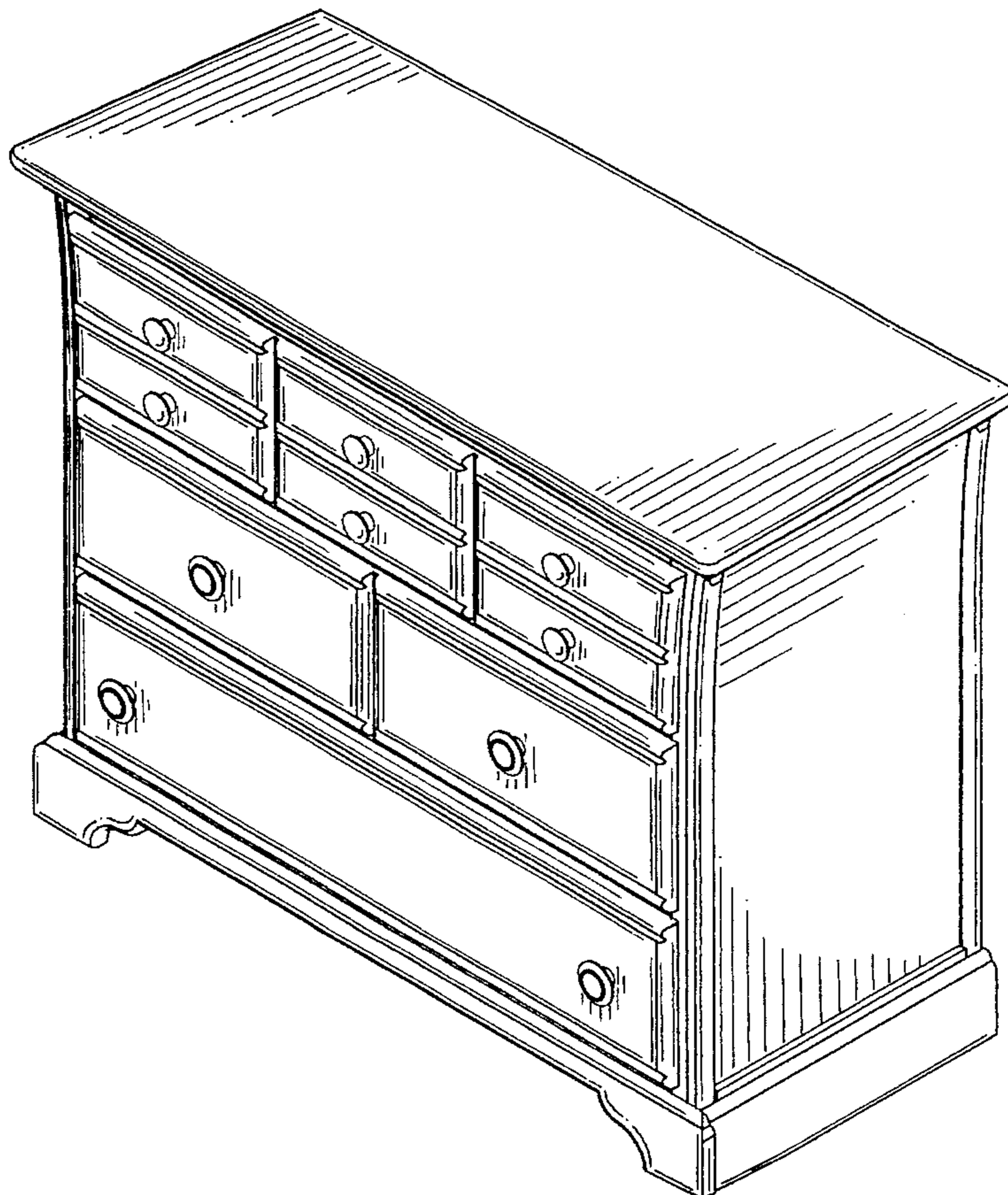


FIG-1

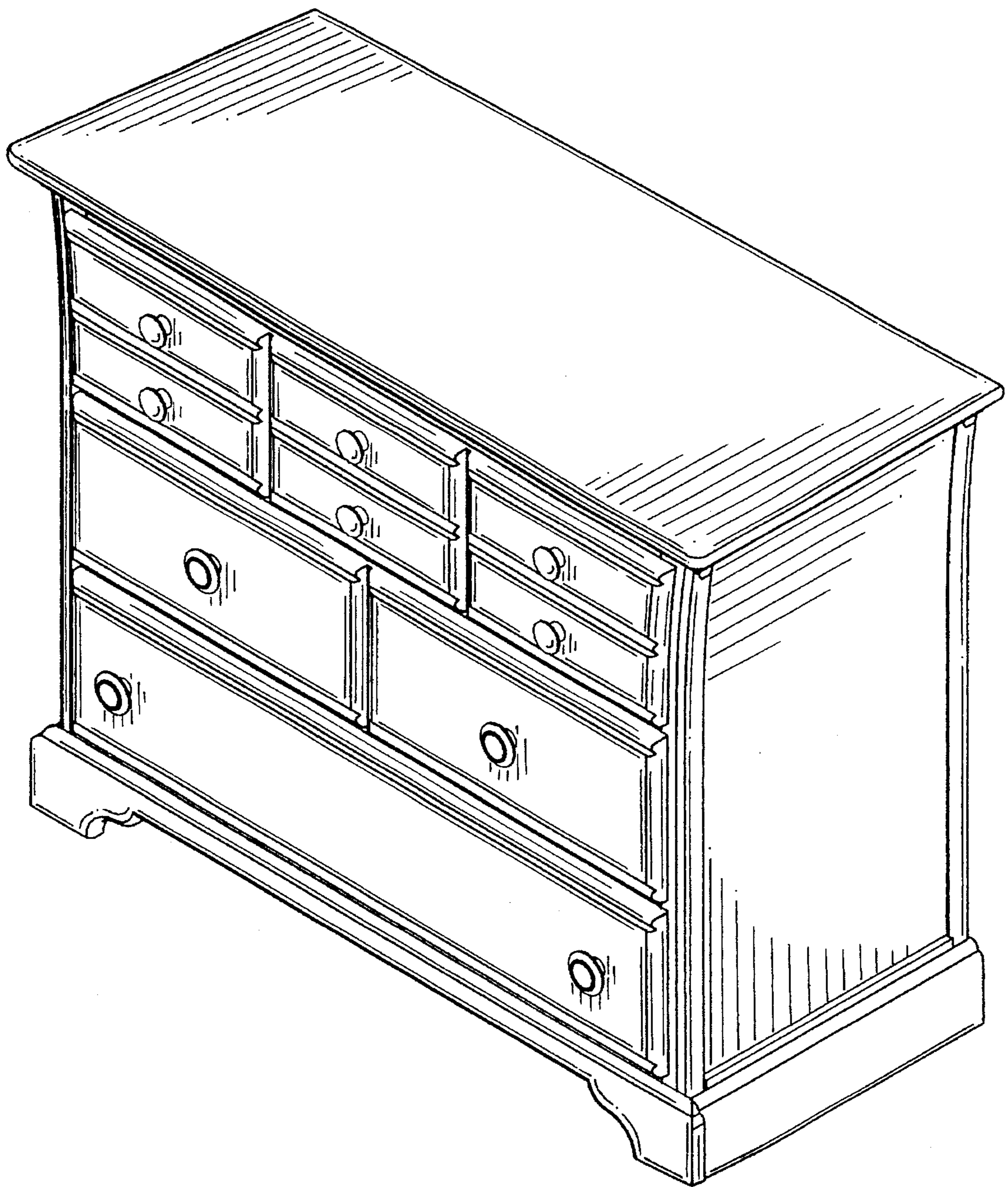


FIG-2

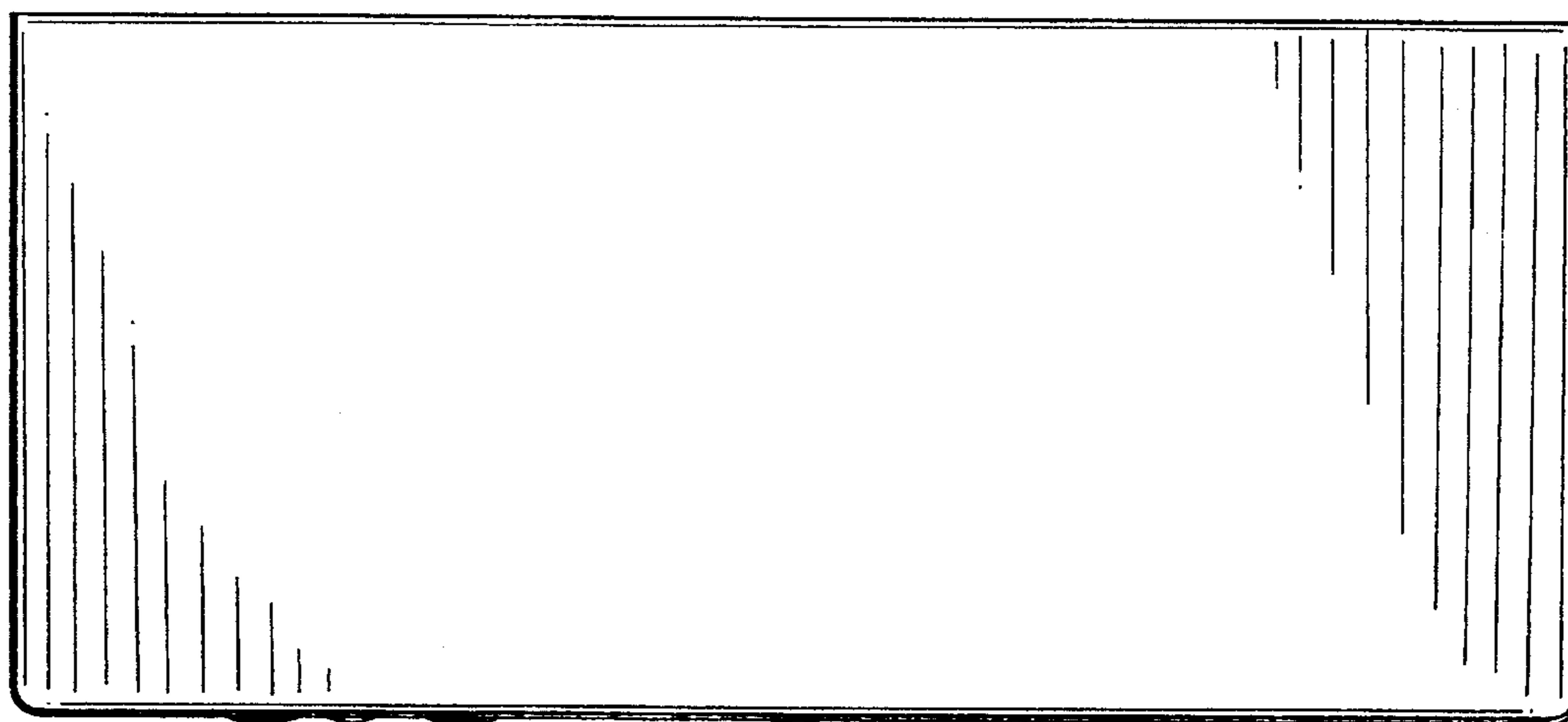


FIG-3

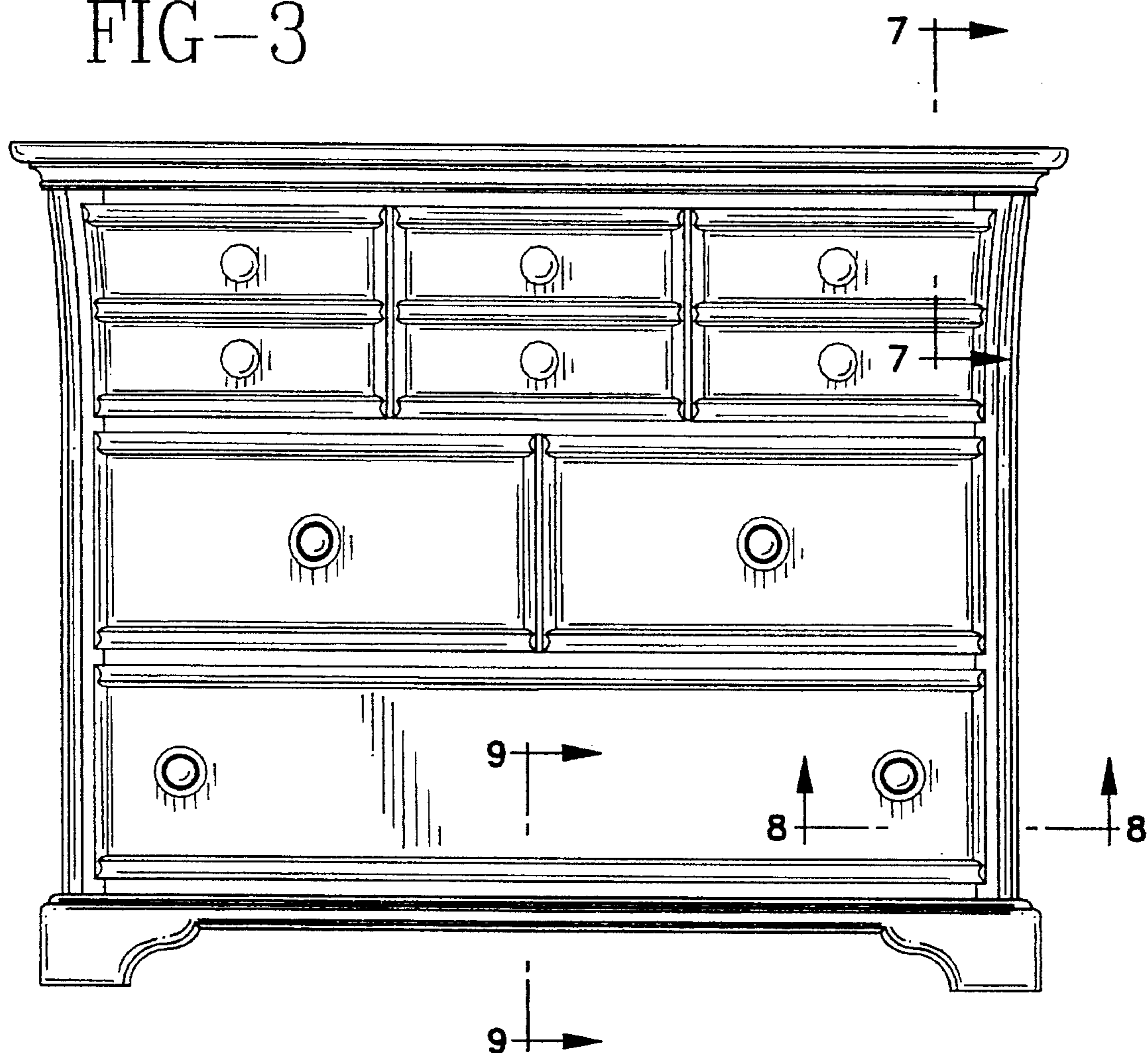


FIG-4

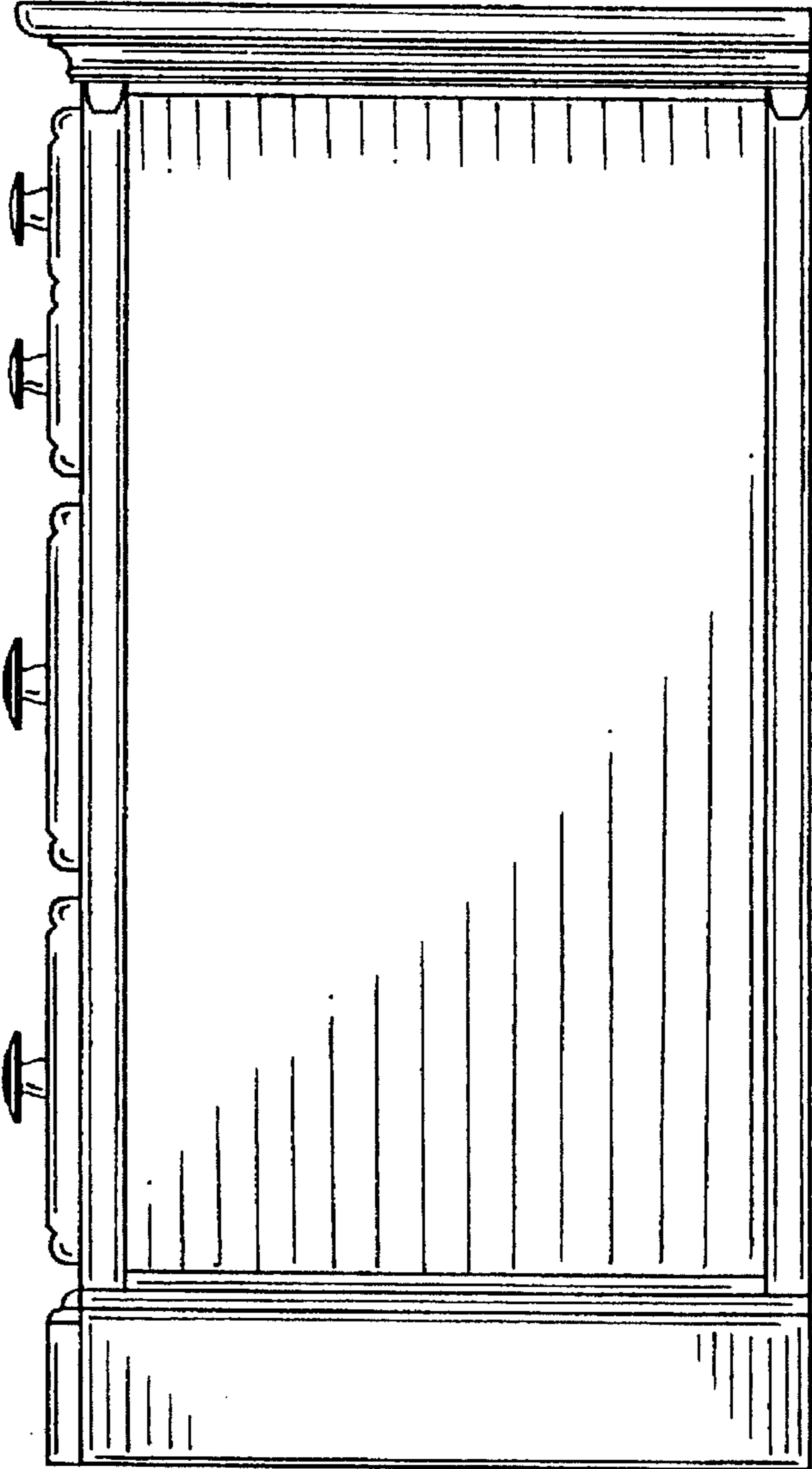


FIG-5

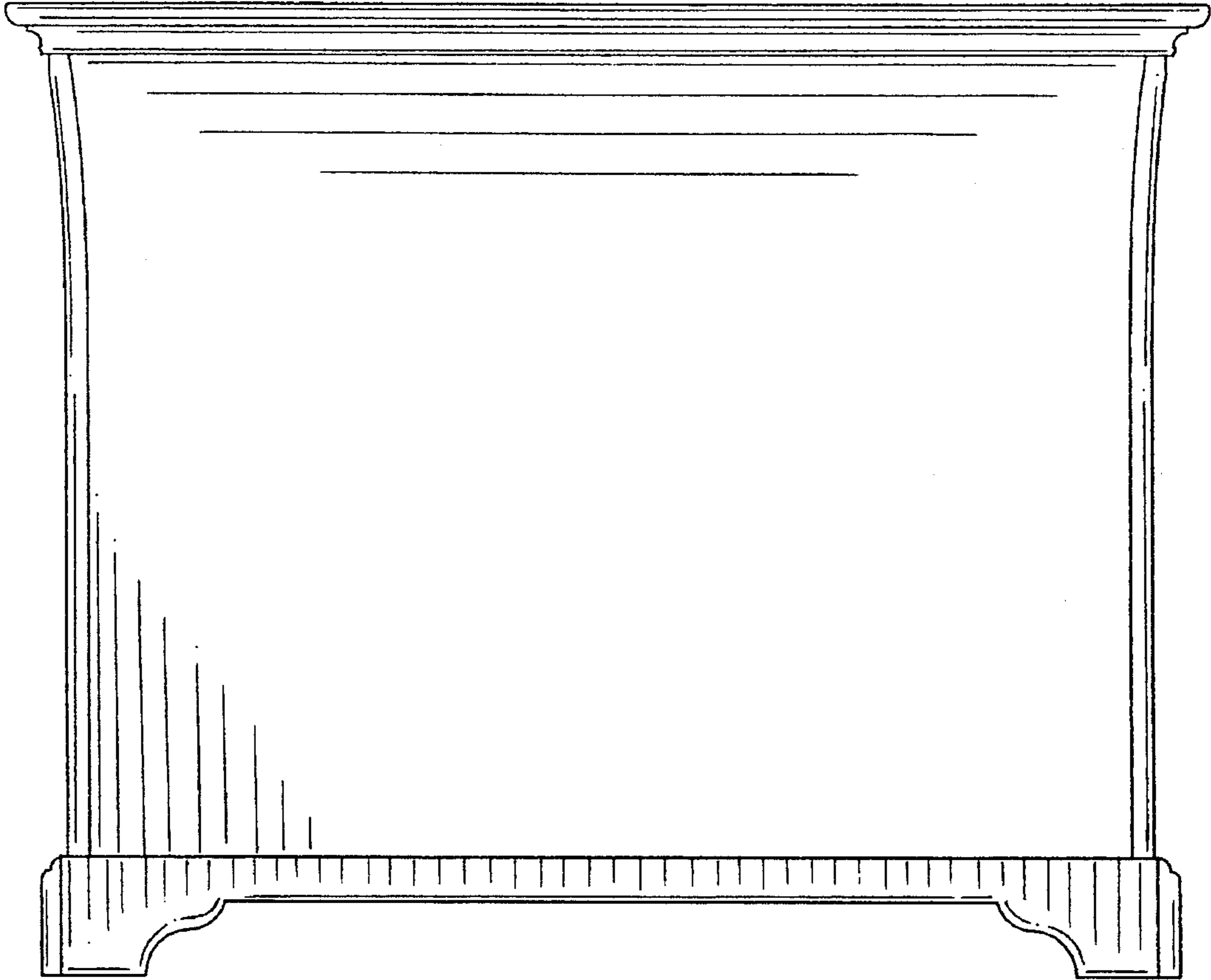


FIG-6

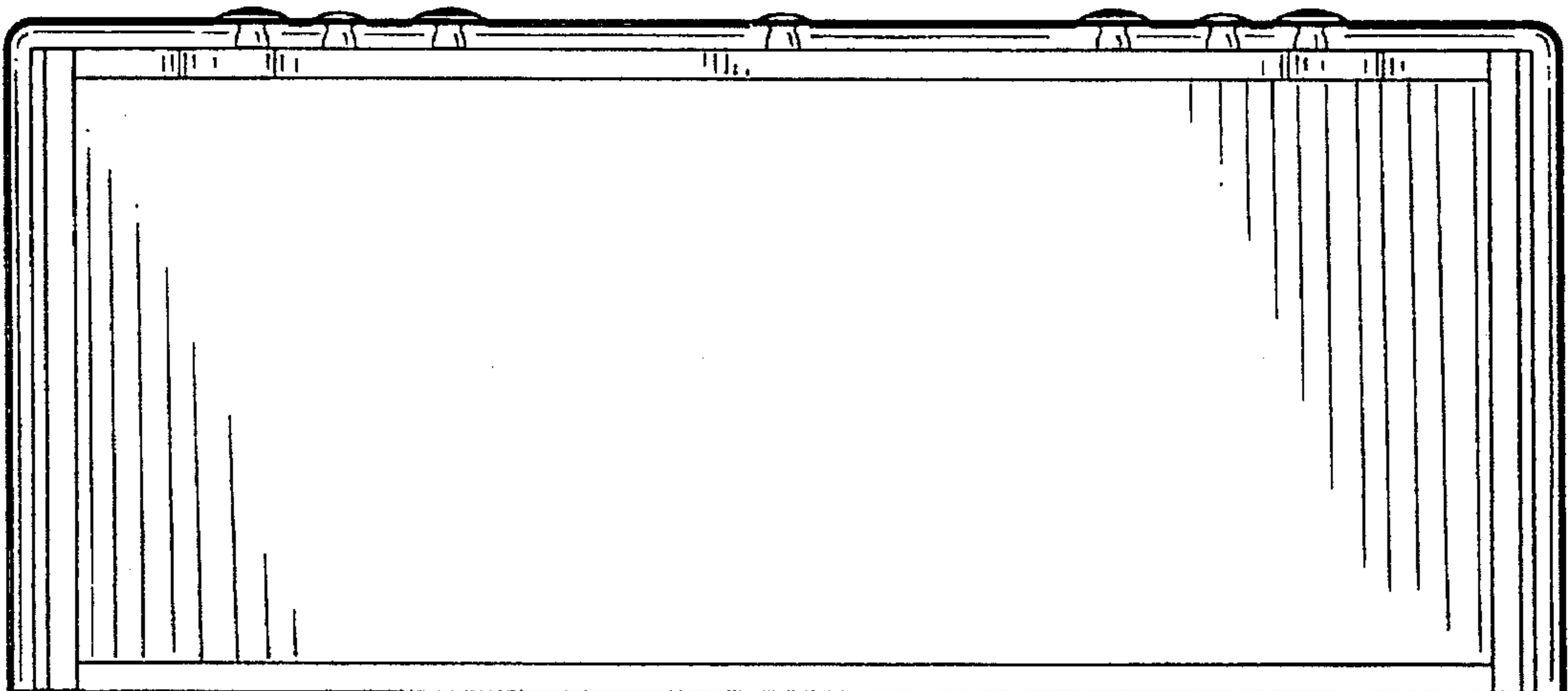


FIG-7

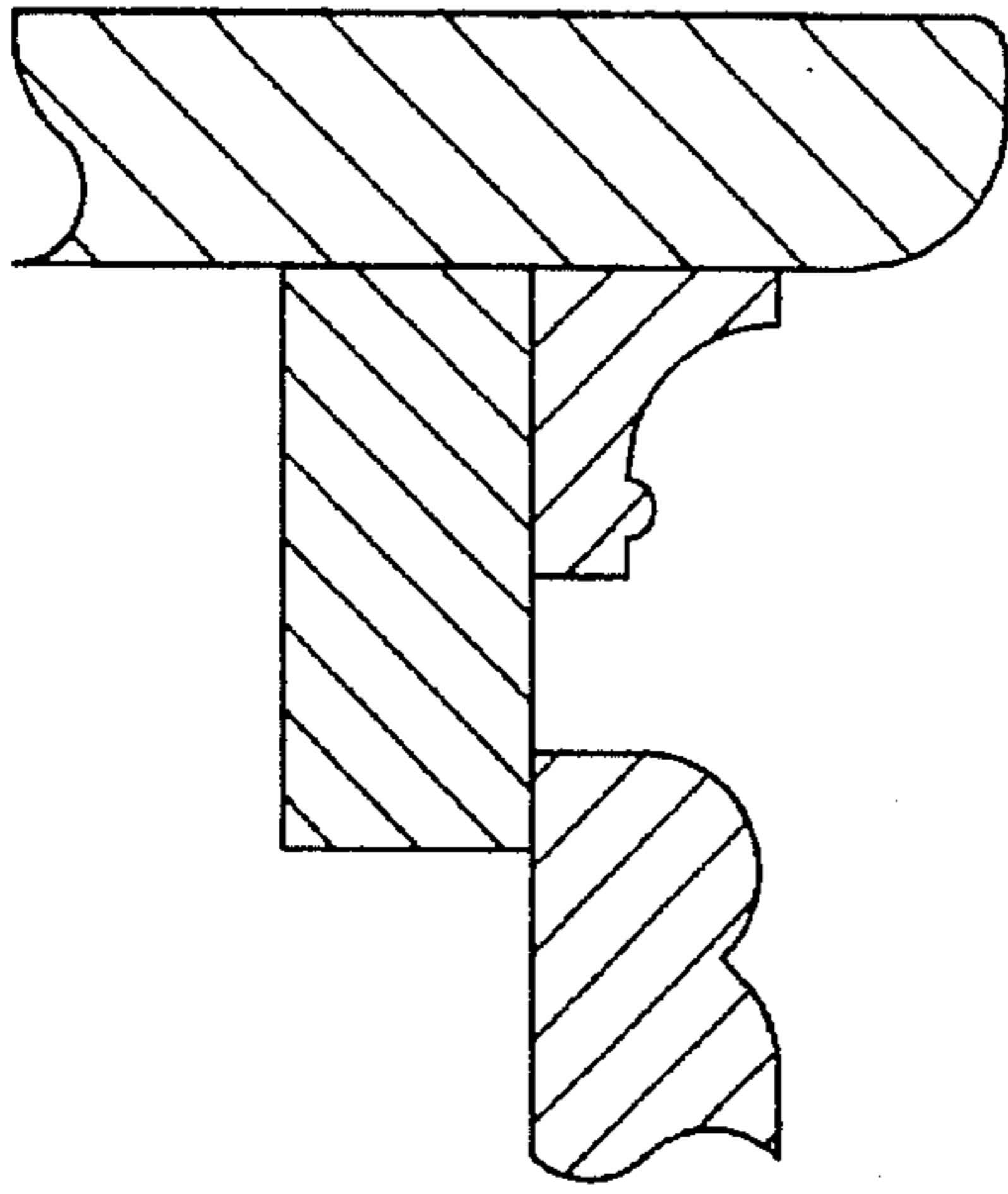


FIG-8

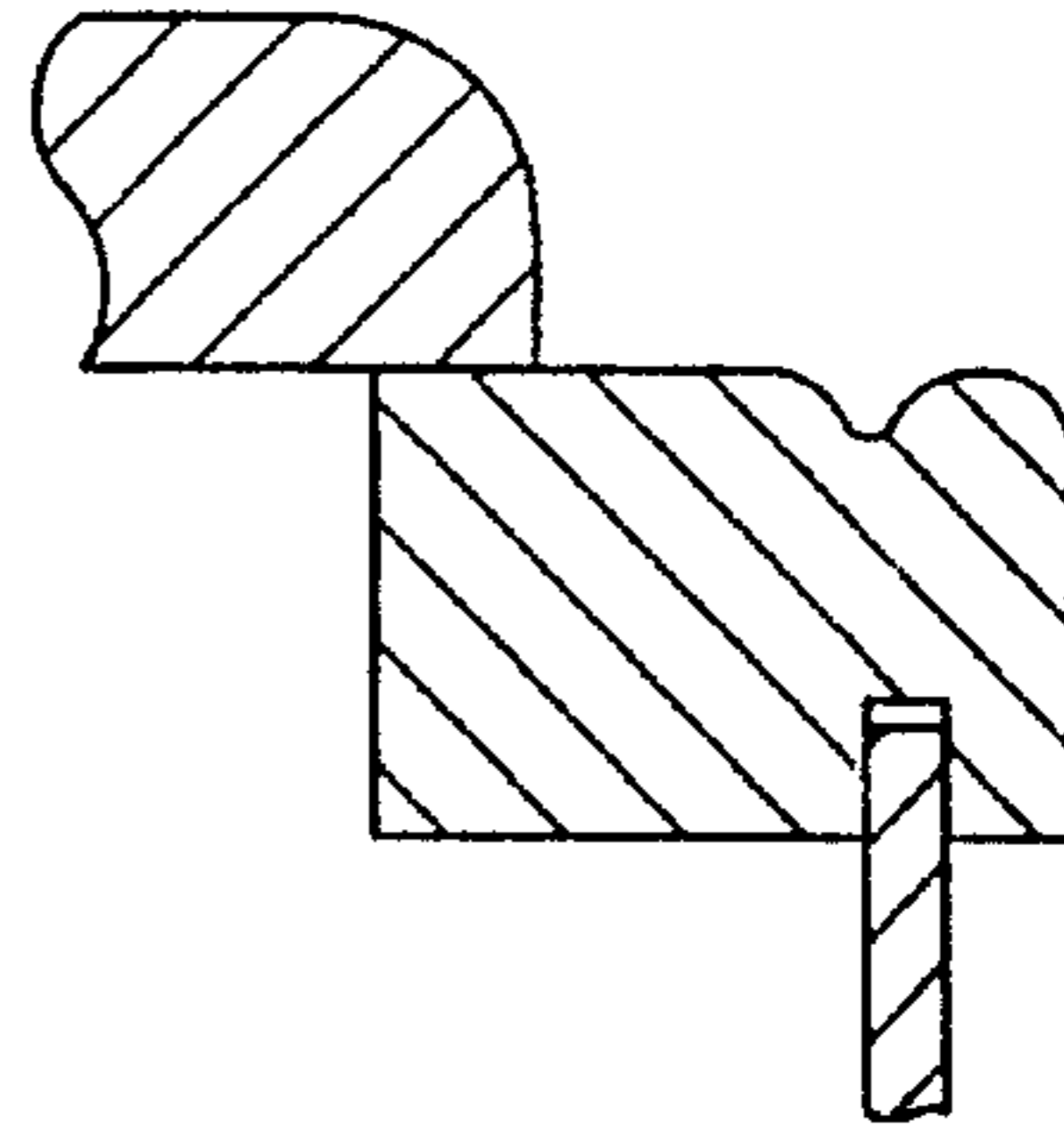


FIG-9

