



US00D374781S

United States Patent [19]

Martin

[11] Patent Number: **Des. 374,781**

[45] Date of Patent: ****Oct. 22, 1996**

[54] **LOUNGE CHAIR**

[75] Inventor: **Leo Martin**, Coconut Grove, Fla.

[73] Assignee: **Miami Metal Products, Inc.**, Miami, Fla.

[**] Term: **14 Years**

[21] Appl. No.: **48,884**

[22] Filed: **Jan. 16, 1996**

[52] U.S. Cl. **D6/379; D6/334; D6/376**

[58] Field of Search **D6/334, 369, 370, D6/376, 379, 380, 500, 501, 502; 297/446.1**

[56] **References Cited**

U.S. PATENT DOCUMENTS

D. 163,306	5/1951	Moore	D6/334
D. 316,492	4/1991	Martin	D6/379
D. 335,777	5/1993	Hess	D6/376
D. 335,778	5/1993	Hess	D6/376
D. 341,266	11/1993	Caldwell	D6/379
D. 349,195	8/1994	Hess	D6/376

OTHER PUBLICATIONS

Veneman A Tropitone Company, (Prices) Sep. 1, 1991, p. 20, Chair #FM150 at top right.

Primary Examiner—Gary D. Watson

[57] **CLAIM**

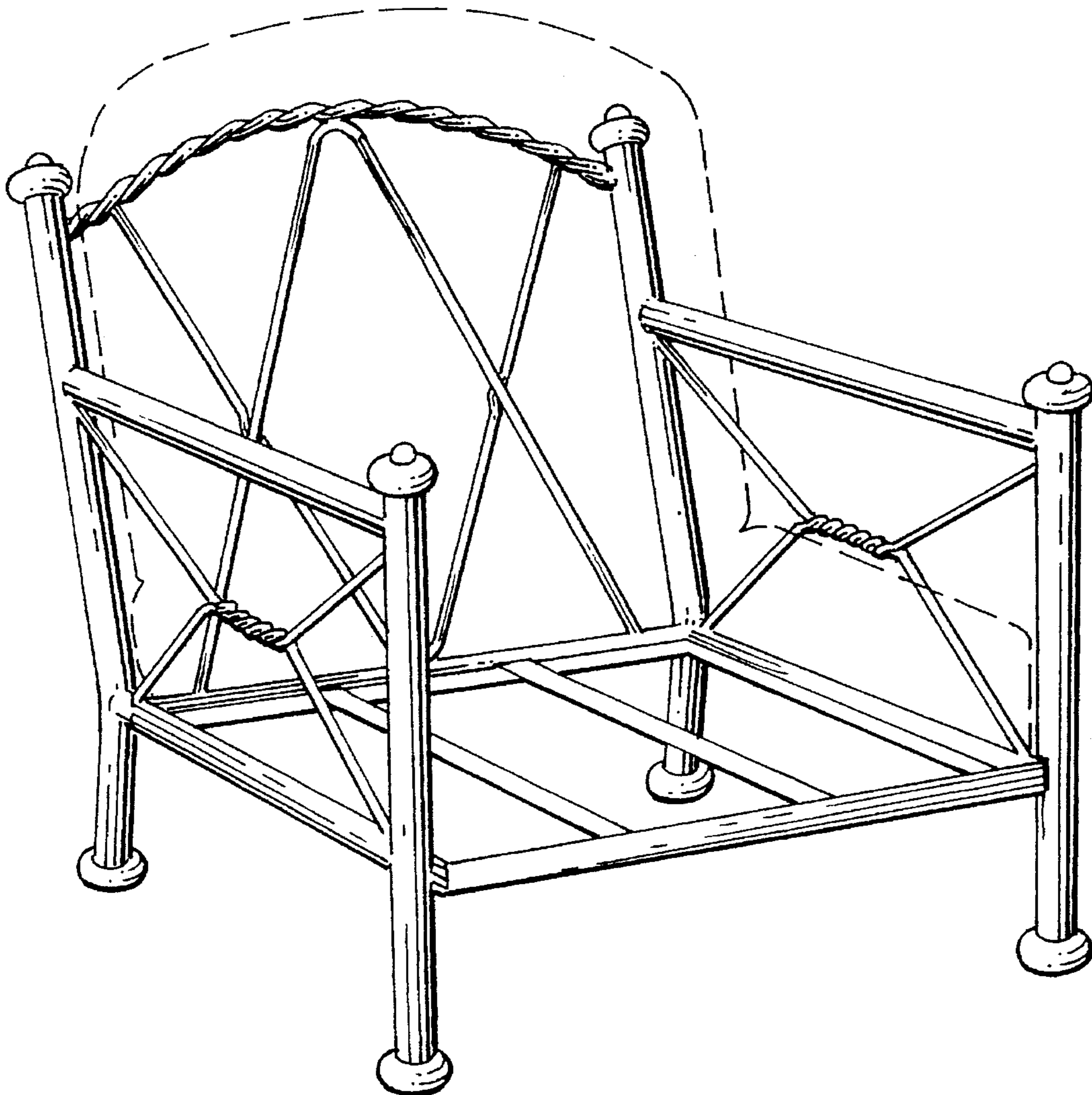
The ornamental design for a lounge chair, as shown and described.

DESCRIPTION

FIG. 1 is a perspective view of the present invention; FIG. 2 is a front view of the present invention; FIG. 3 is a side elevation view of the present invention; FIG. 4 is a back view of the present invention; FIG. 5 is a top view of the present invention; and, FIG. 6 is a bottom view of the present invention.

The broken line showing of cushions in FIG. 1 is for environmental purposes only and forms no part of the claimed design. FIGS. 2 through 6 have been shown on a reduced scale.

1 Claim, 2 Drawing Sheets



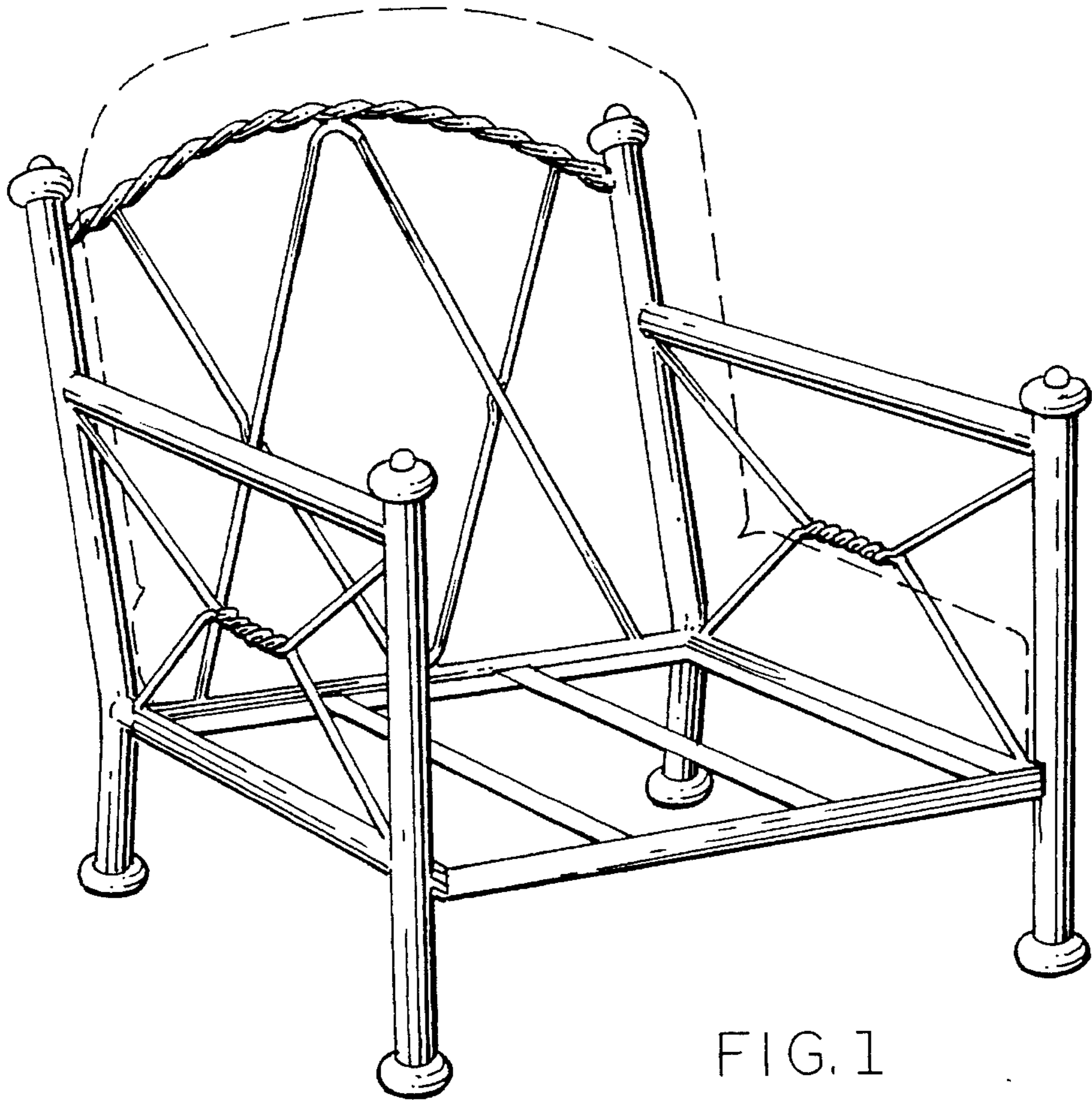


FIG. 1

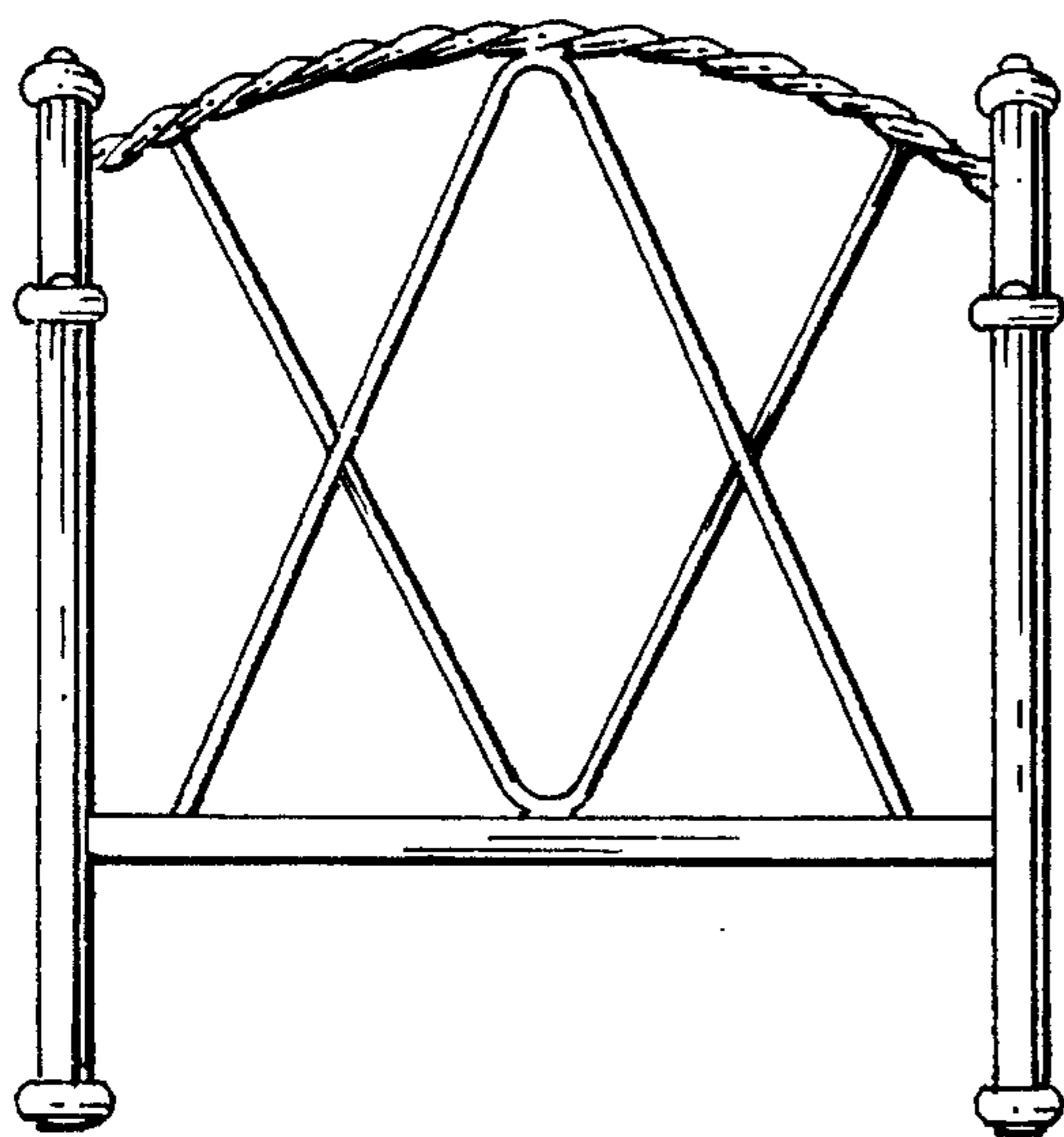


FIG. 2

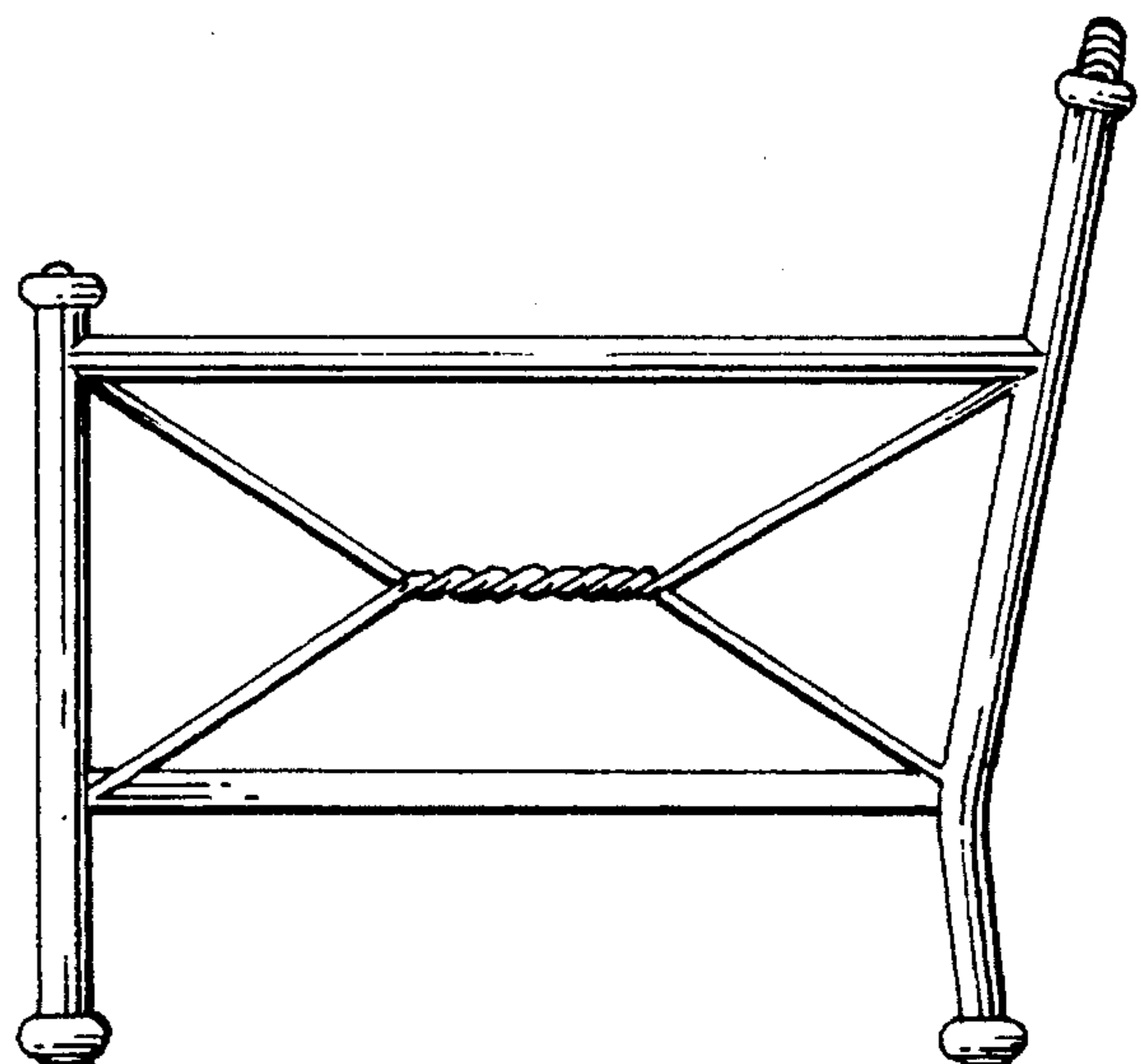


FIG. 3

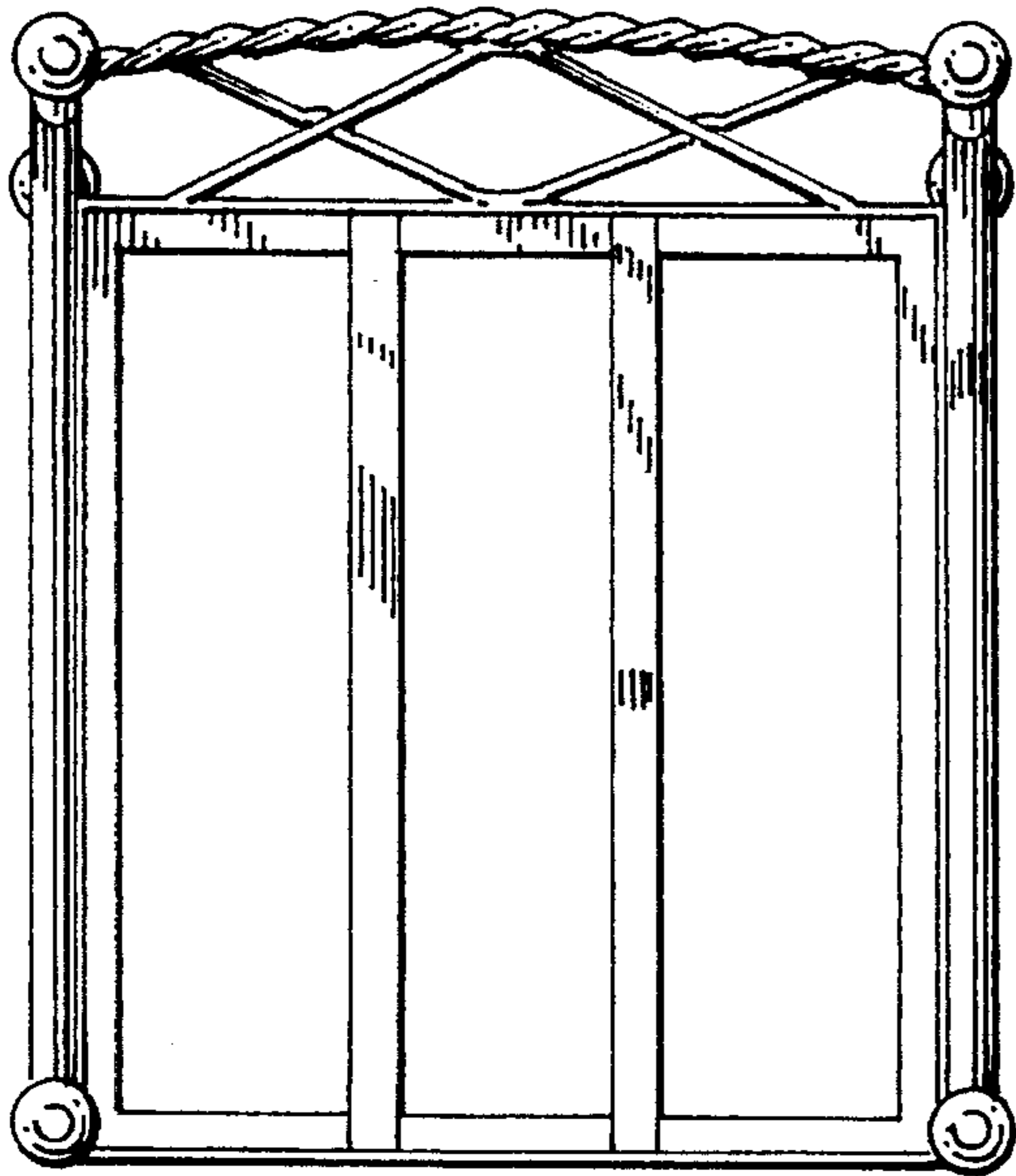


FIG. 5

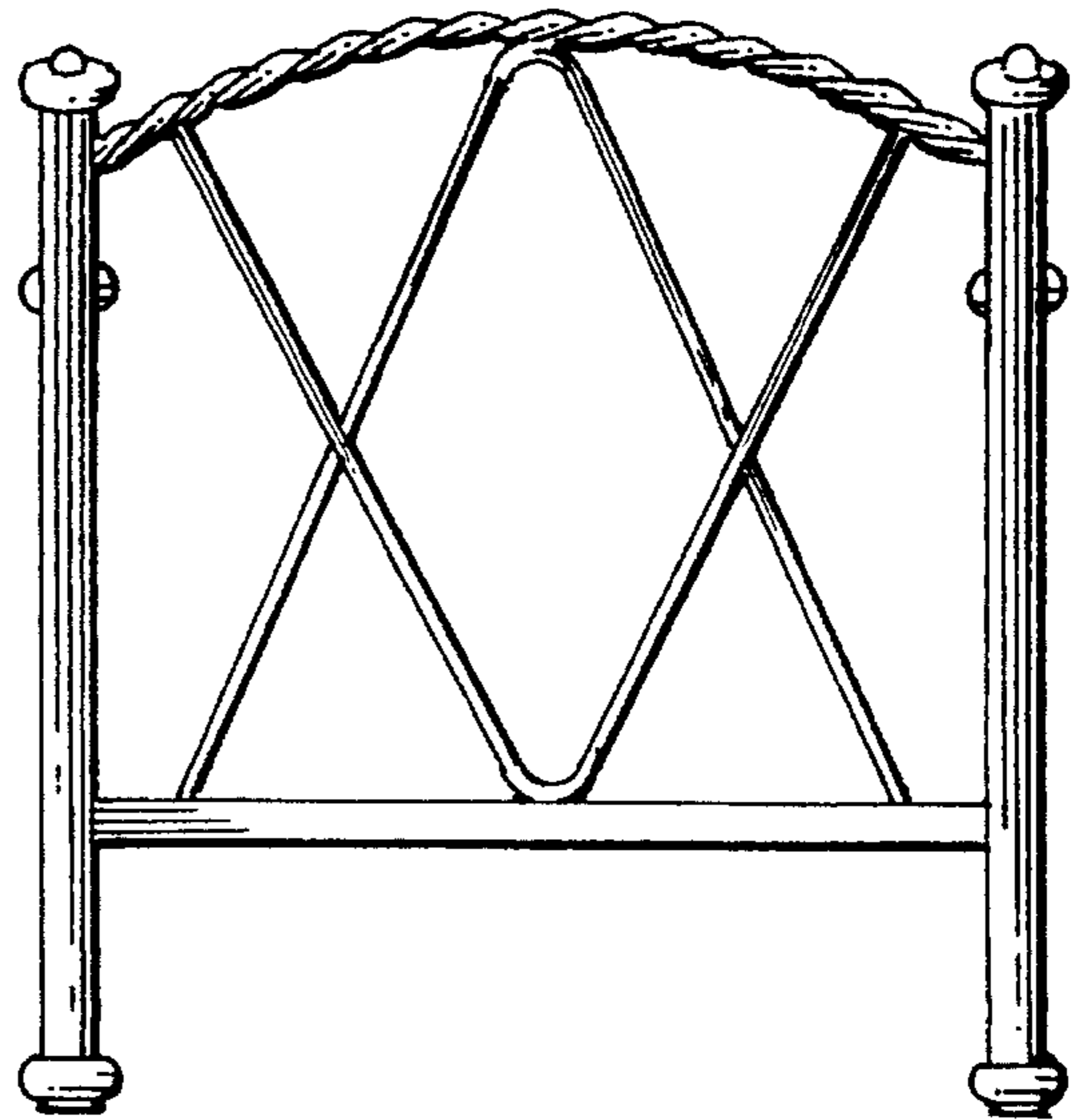


FIG. 4

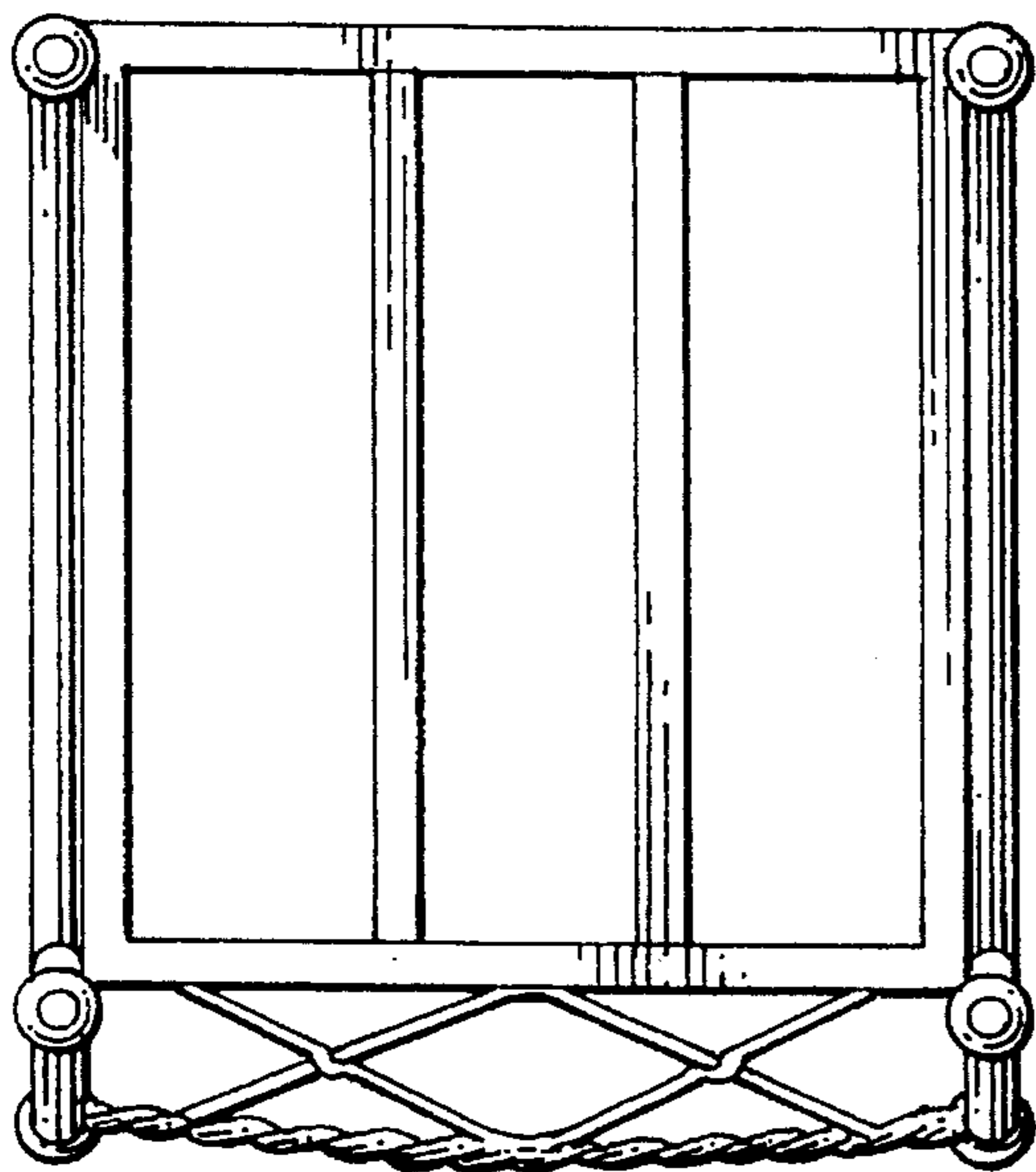


FIG. 6