



US00D374779S

United States Patent [19]
Feldberg

[11] **Patent Number: Des. 374,779**

[45] **Date of Patent: **Oct. 22, 1996**

[54] **CHAIR**
[75] Inventor: **Saul Feldberg**, Don Mills, Canada

[73] Assignee: **Global Upholstery Company**,
Downsview, Canada

[**] Term: **14 Years**

[21] Appl. No.: **48,573**

[22] Filed: **Jan. 4, 1996**

[52] U.S. Cl. **D6/366**

[58] Field of Search D6/334, 365, 366,
D6/367, 379, 500, 501, 502; 297/411.2,
411.44

[56] **References Cited**

U.S. PATENT DOCUMENTS

D. 119,047	2/1940	Page	D6/366
D. 218,419	8/1970	Nightingale	D6/366
D. 244,972	7/1977	Lübke	D6/366
D. 254,278	2/1980	Wilson	D6/366
D. 297,986	10/1988	Jenkins	D6/366
D. 299,987	2/1989	Jenkins	D6/366
D. 300,483	4/1989	Jenkins	D6/366
D. 302,769	8/1989	Jenkins	D6/366

D. 318,763	8/1991	George et al.	D6/366
D. 354,178	1/1995	Ochsner	D6/366

OTHER PUBLICATIONS

Interiors, Aug. 1984, p. 59, chair shown.
Wholesale Furniture, p. F-28, chair at top left.

Primary Examiner—Gary D. Watson
Attorney, Agent, or Firm—Bereskin & Parr; Philip Mendes da Costa

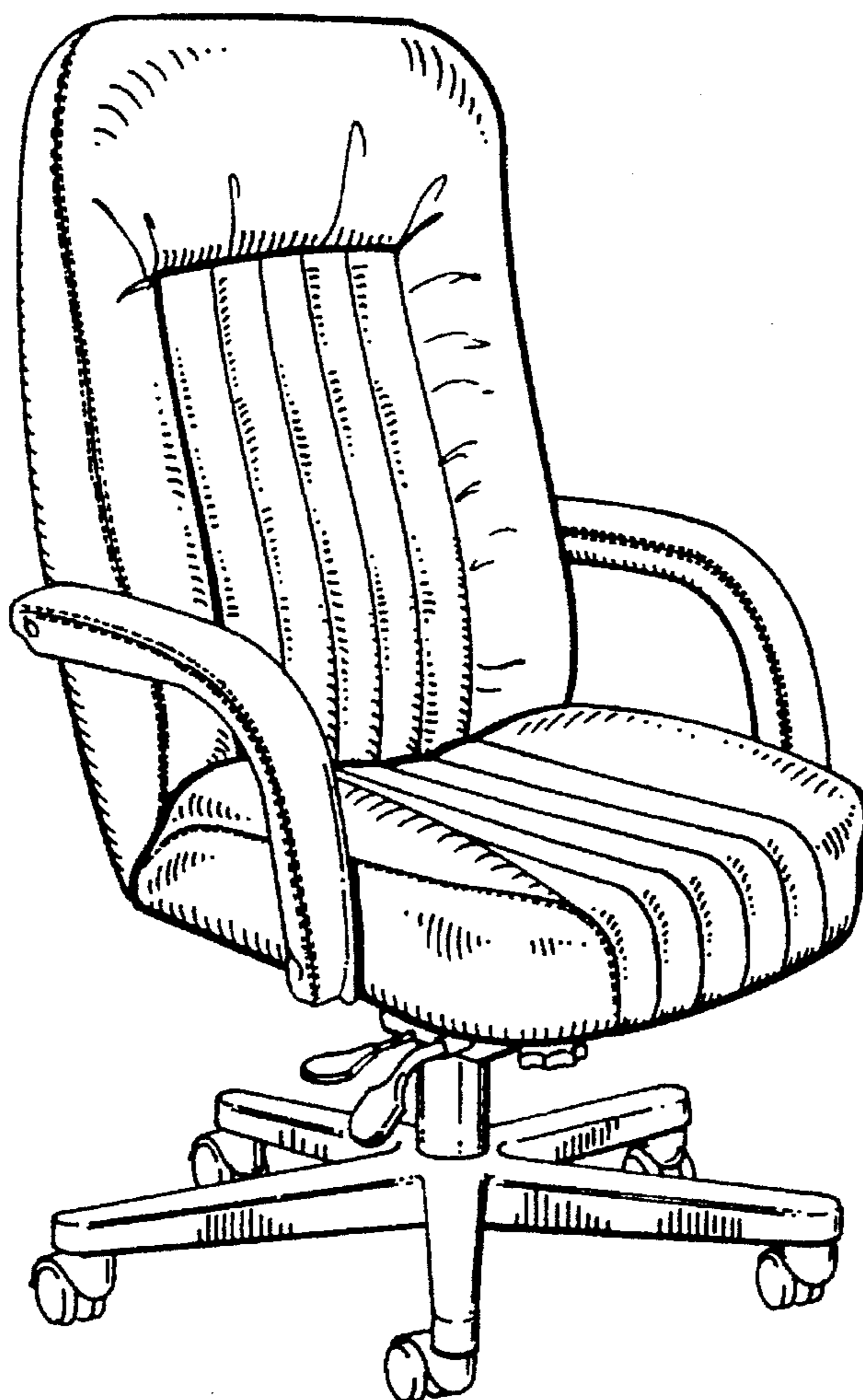
[57] **CLAIM**

The ornamental design for a chair, as shown and described.

DESCRIPTION

FIG. 1 is a prospective view from the front and the left side of the chair;
FIG. 2 is a left side elevational view of the chair of FIG. 1. The right side of the chair is substantially a mirror image of the left side, the difference being the omission of the two adjustment handles;
FIG. 3 is a front elevational view of the chair of FIG. 1;
FIG. 4 is a rear elevational view of the chair of FIG. 1;
FIG. 5 is a top plan view of the chair of FIG. 1; and,
FIG. 6 is a bottom plan view of the chair of FIG. 1.

1 Claim, 3 Drawing Sheets



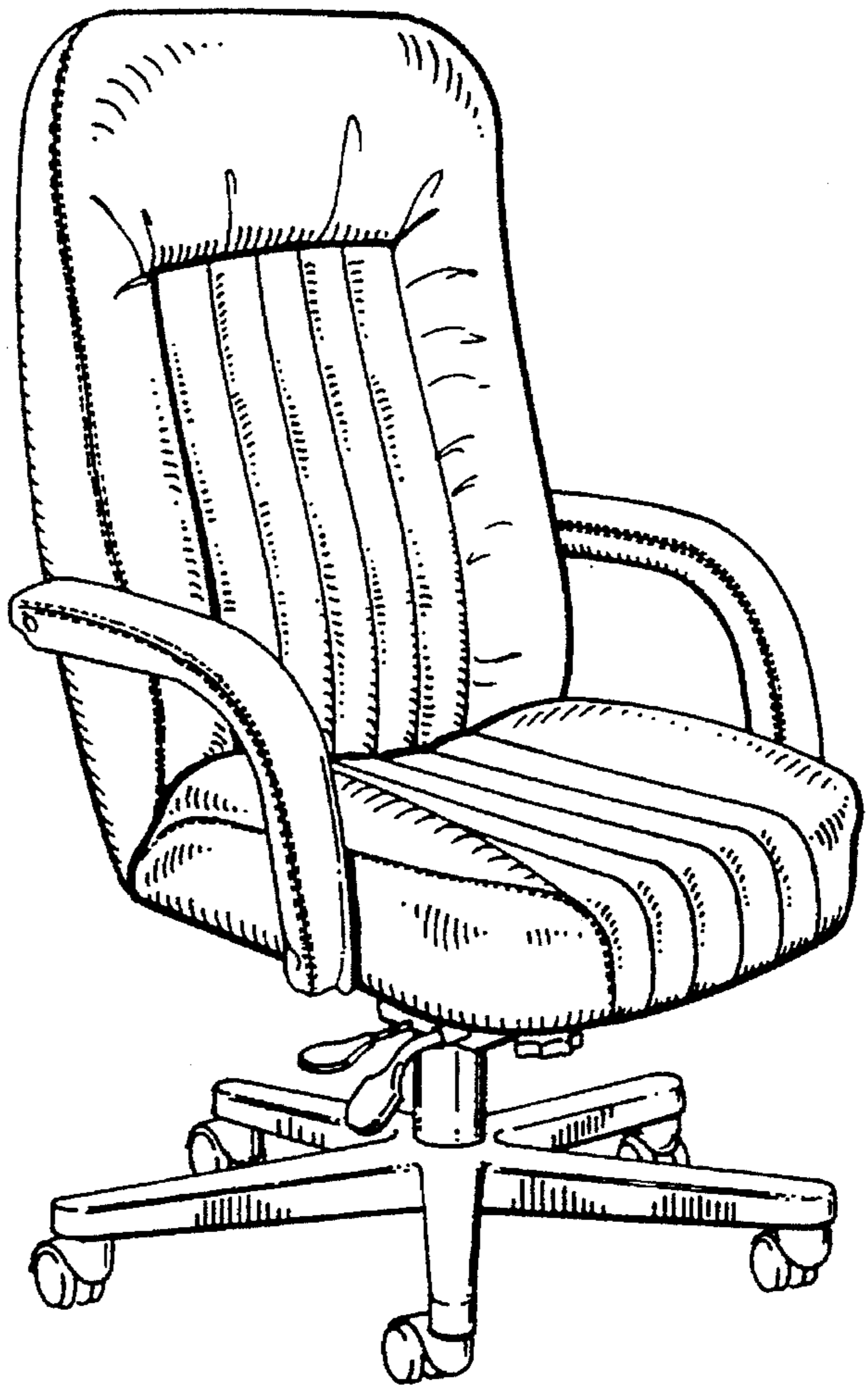


FIG. 1.

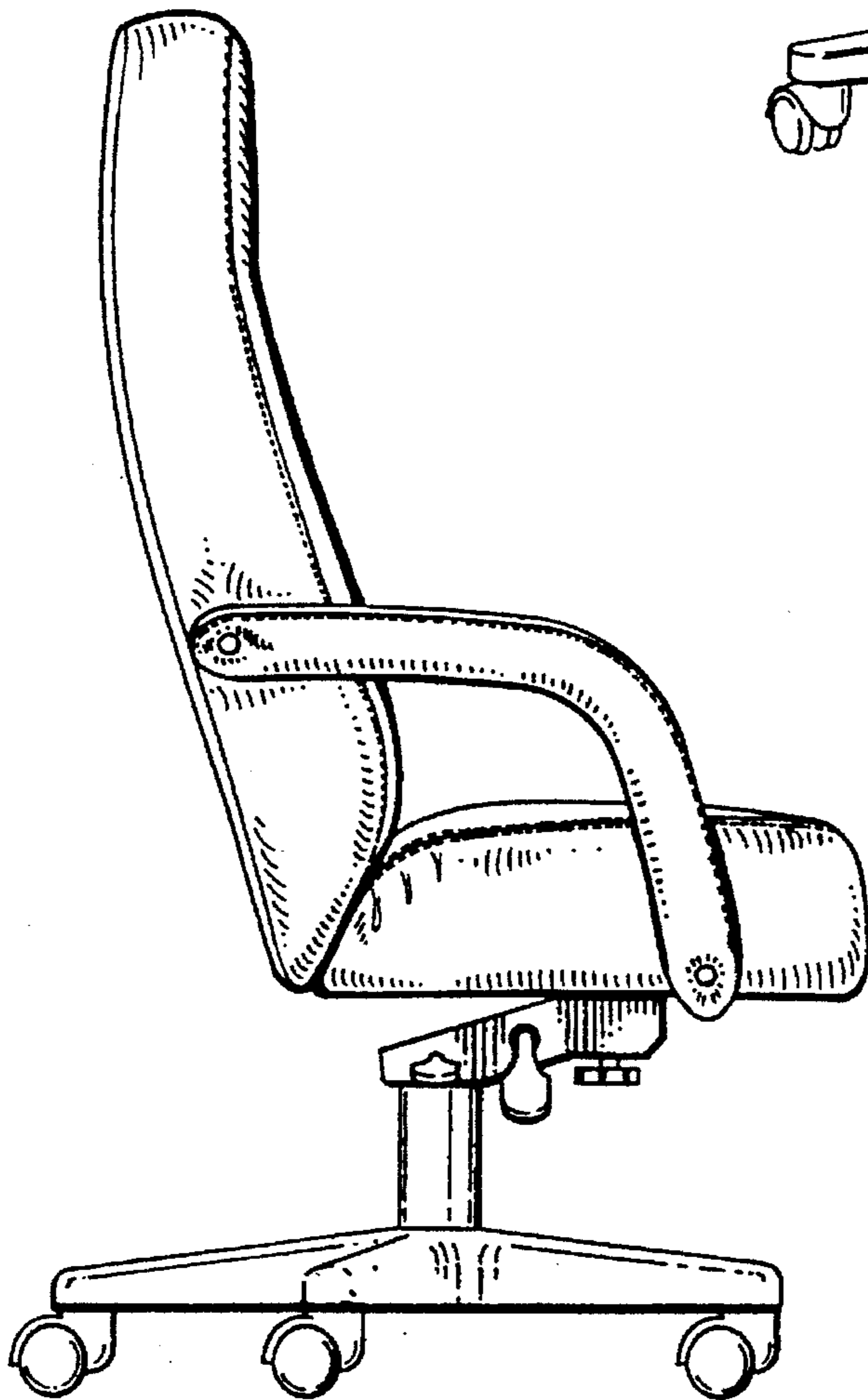


FIG. 2.

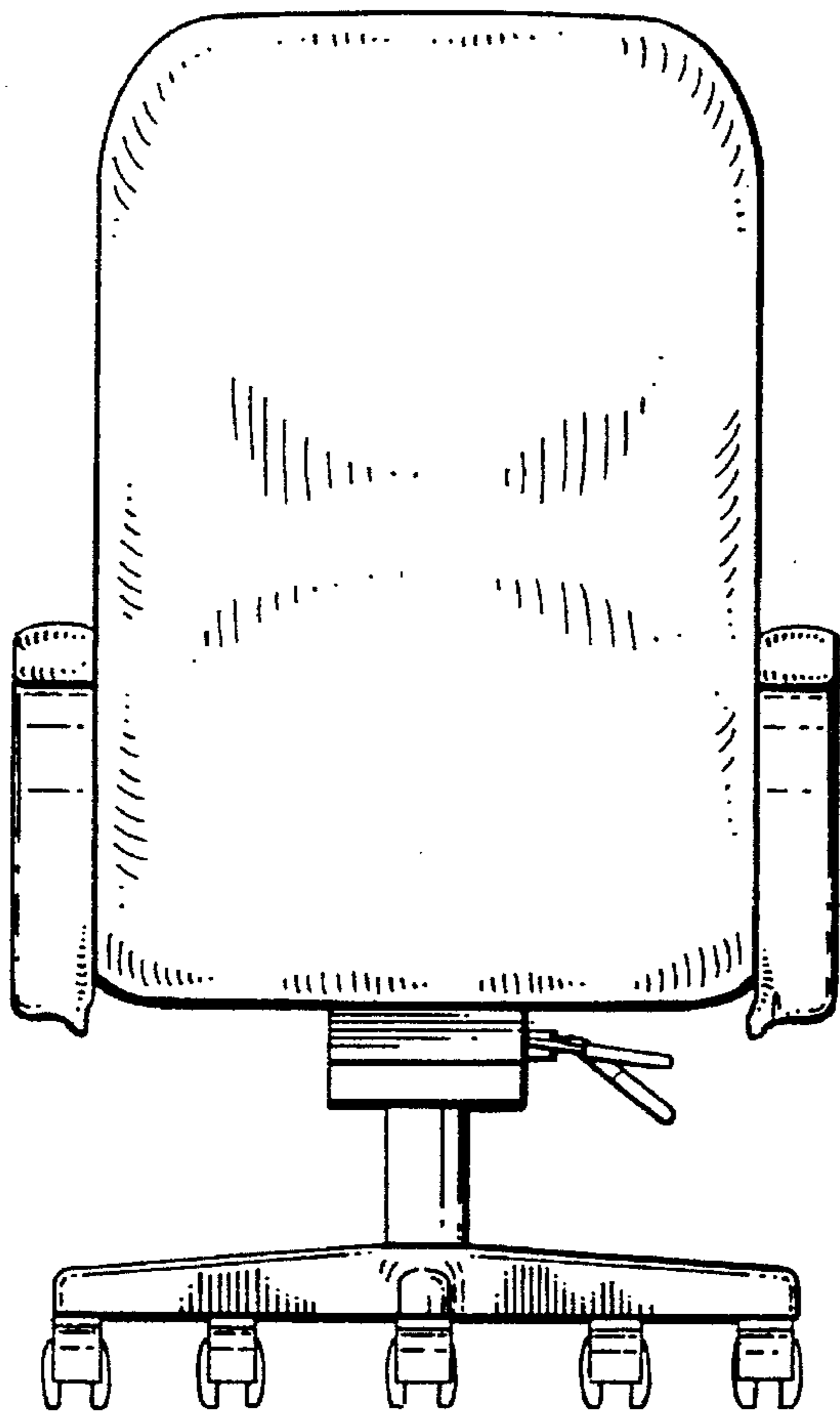


FIG. 4.

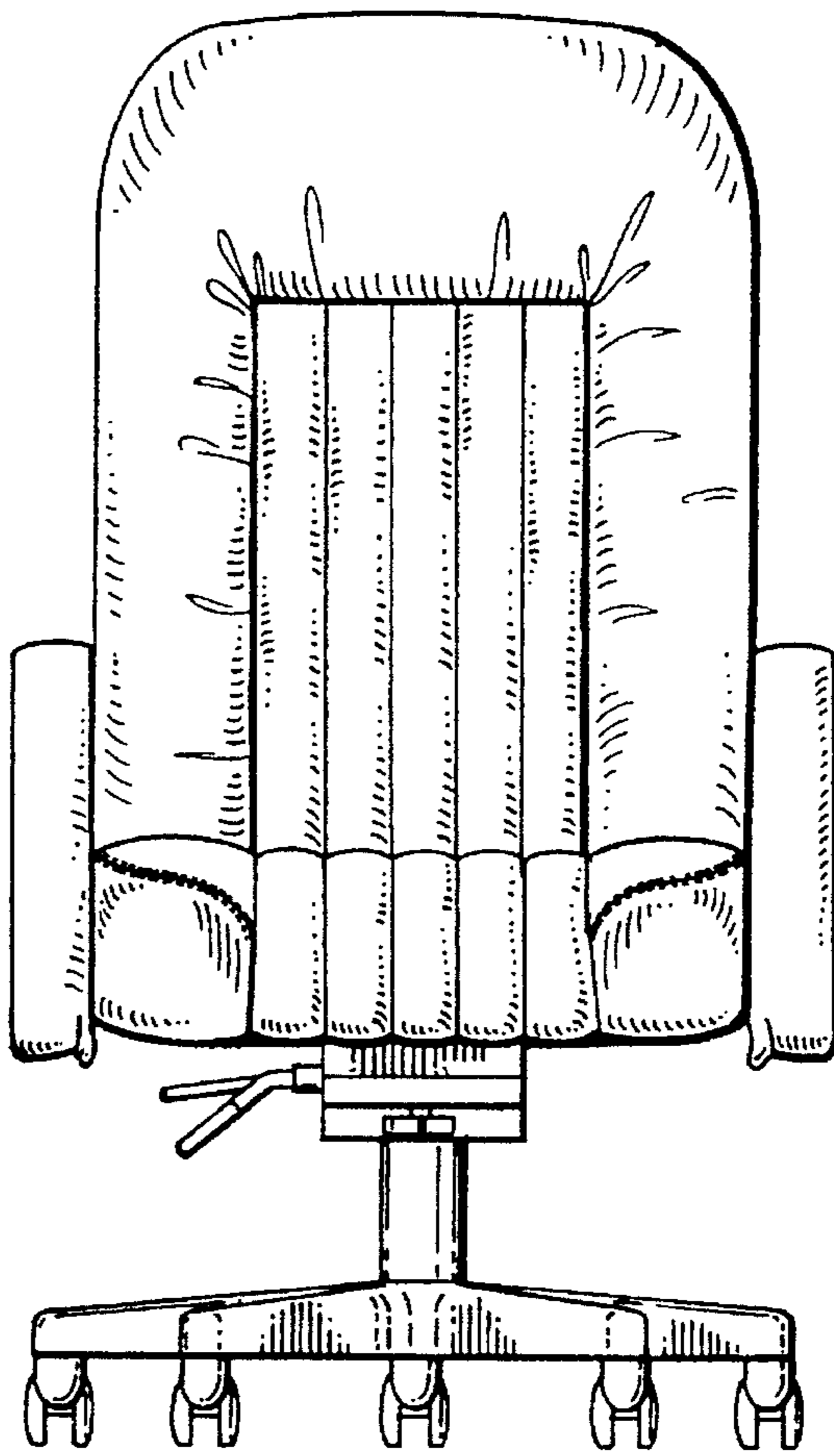


FIG. 3.

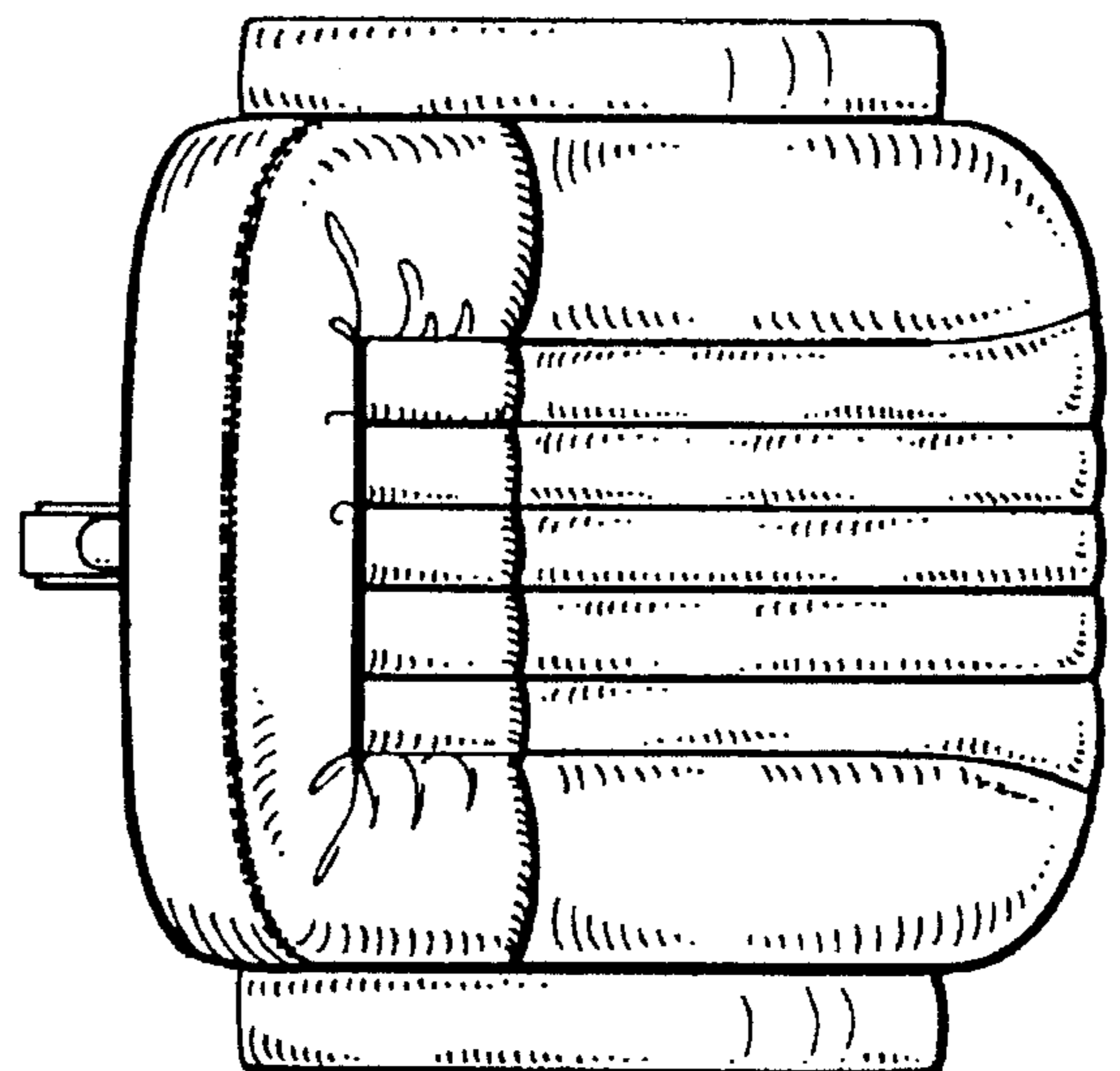


FIG. 5.

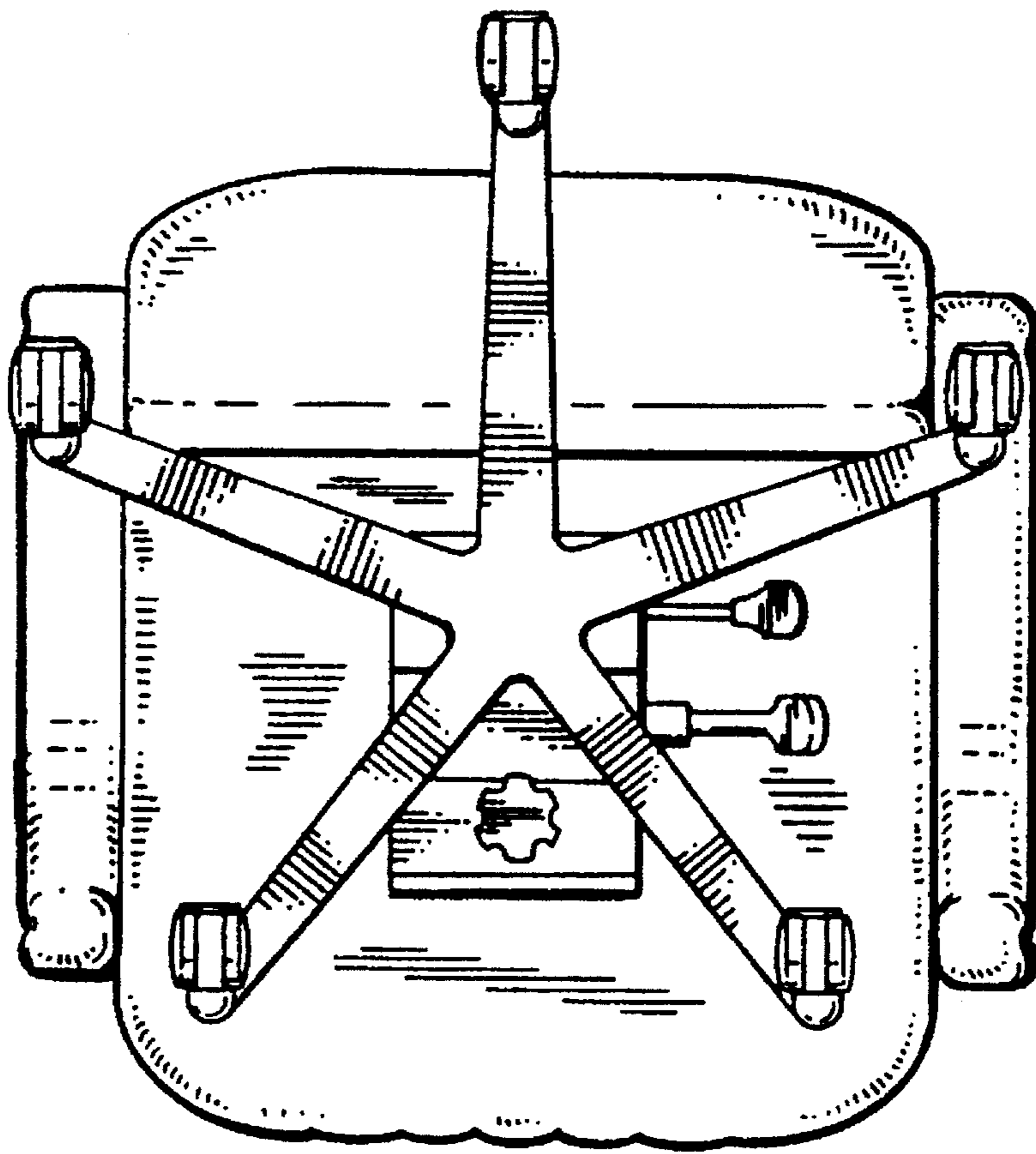


FIG. 6.