



US00D374772S

# United States Patent [19]

[11] Patent Number: **Des. 374,772**

**Hotaling et al.**

[45] Date of Patent: **\*\*Oct. 22, 1996**

[54] **FOOT LOCKER**

D. 360,527	7/1995	Corney et al.	.....	D3/276
3,814,220	6/1974	Brody	.....	190/19
4,087,102	5/1978	Sprague	.....	280/37
4,597,122	7/1986	Handler et al.	.....	5/503

[75] Inventors: **Bryan Hotaling**, Arlington; **Jon Rossman**, Chelmsford, both of Mass.

[73] Assignee: **Tucker Housewares**, Leominster, Mass.

*Primary Examiner*—Ted Shooman  
*Assistant Examiner*—Philip Hyder  
*Attorney, Agent, or Firm*—Darby & Darby, P.C.

[\*\*] Term: **14 Years**

### [57] CLAIM

[21] Appl. No.: **42,555**

The ornamental design for a foot locker, as shown and described.

[22] Filed: **Aug. 11, 1995**

[52] U.S. Cl. .... **D3/276; D3/279; D3/273; D7/605**

### DESCRIPTION

[58] **Field of Search** ..... D3/272, 273, 276, D3/279, 294; D7/605; D34/7; D9/424, 425; 220/331, 334; 206/372, 315.11, 315.1, 373

FIG. 1 is a front elevational view of the preferred embodiment of the foot locker, having wheels on one side; FIG. 2 is a front elevational view thereof; FIG. 3 is a rear elevational view thereof; FIG. 4 is a right elevational view thereof; FIG. 5 is a left elevational view thereof; FIG. 6 is a top plan view thereof; FIG. 7 is a bottom plan view thereof; FIG. 8 is a front elevational view of an alternate embodiment of the foot locker, having no wheels; FIG. 9 is a left elevational view thereof, the right elevational view being identical; and, FIG. 10 is a bottom plan view of the alternate embodiment of the foot locker, having no wheels.

### [56] References Cited

#### U.S. PATENT DOCUMENTS

D. 257,934	1/1981	Buss	.....	D7/605
D. 313,817	1/1991	Thomas	.....	D3/294
D. 321,091	10/1991	Dickinson	.....	D3/294
D. 325,323	4/1992	Kahl	.....	D7/605
D. 329,747	9/1992	Embree	.....	D3/294
D. 347,324	5/1994	Dickinson	.....	D3/272
D. 351,502	10/1994	Weir et al.	.....	D3/279
D. 351,726	10/1994	Lin	.....	D3/279
D. 352,208	11/1994	Brookshire	.....	D7/605
D. 354,414	1/1995	Kahn et al.	.....	D7/605

**1 Claim, 9 Drawing Sheets**

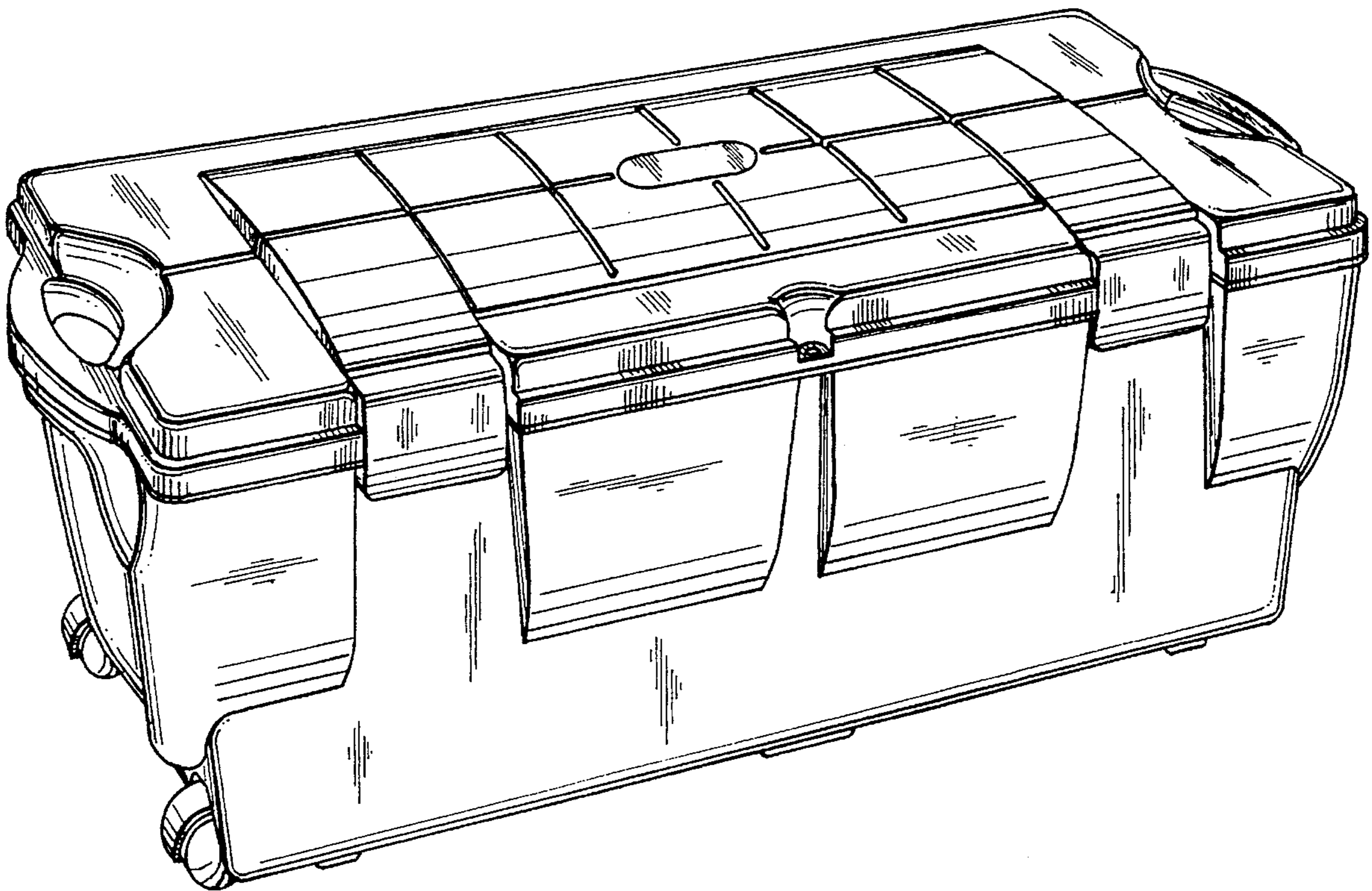


FIG. 1

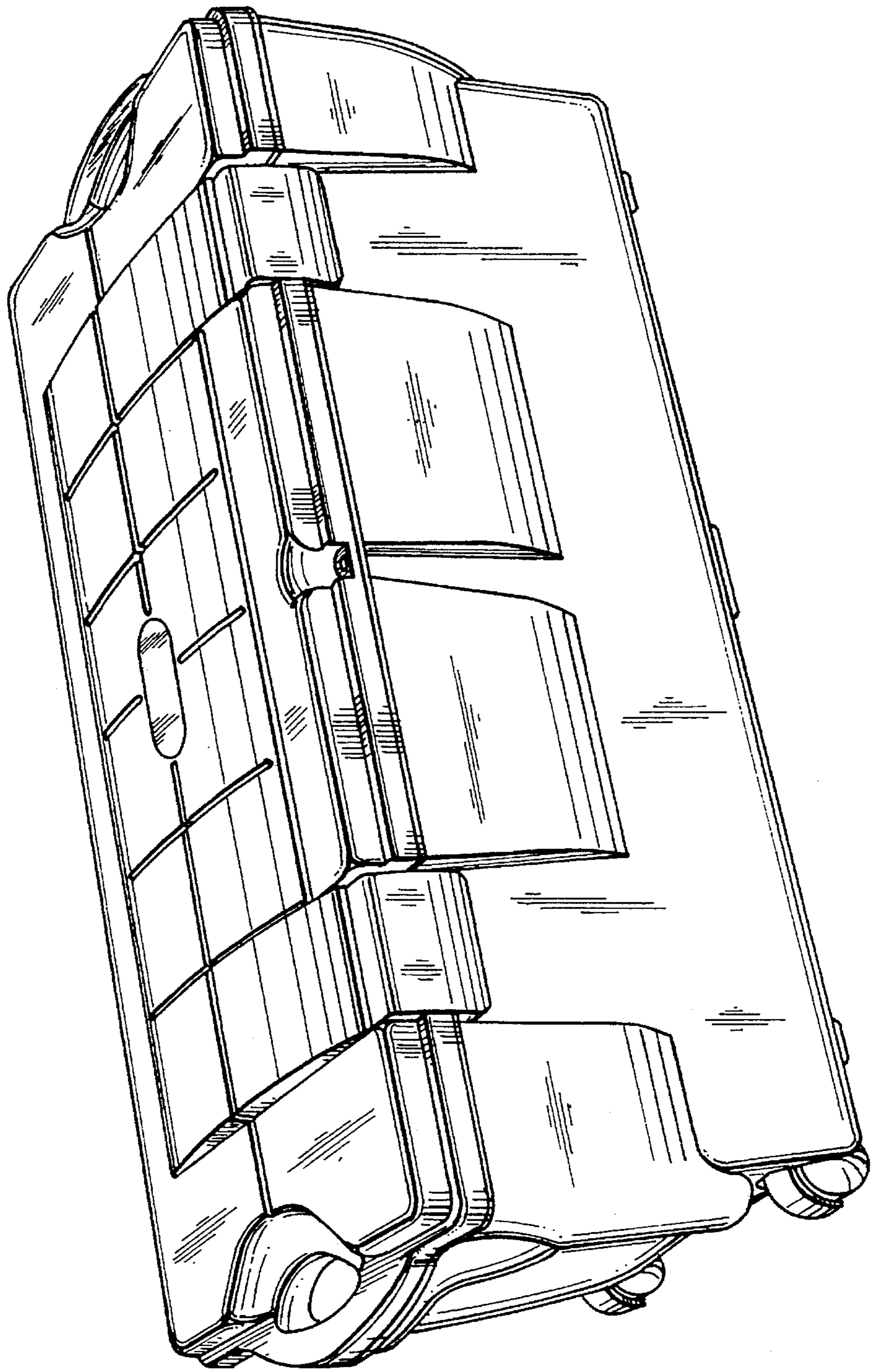


FIG. 2

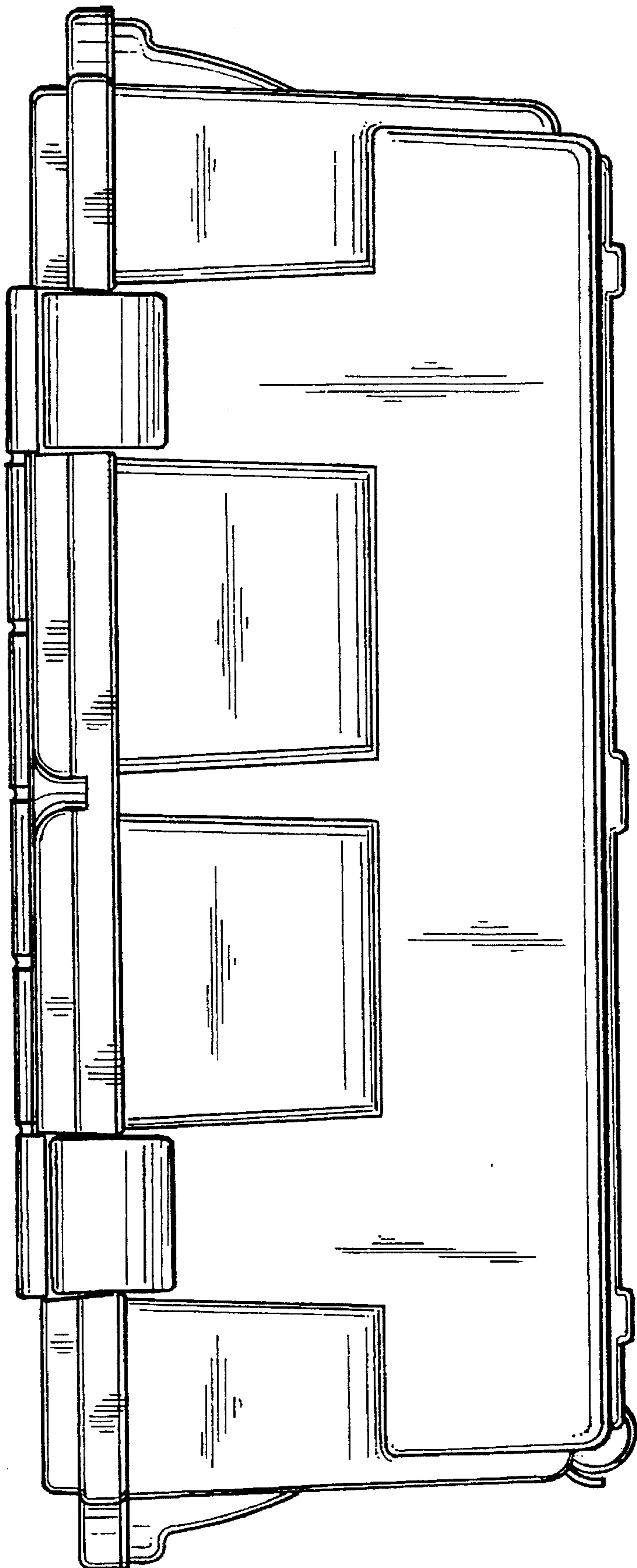


FIG. 3

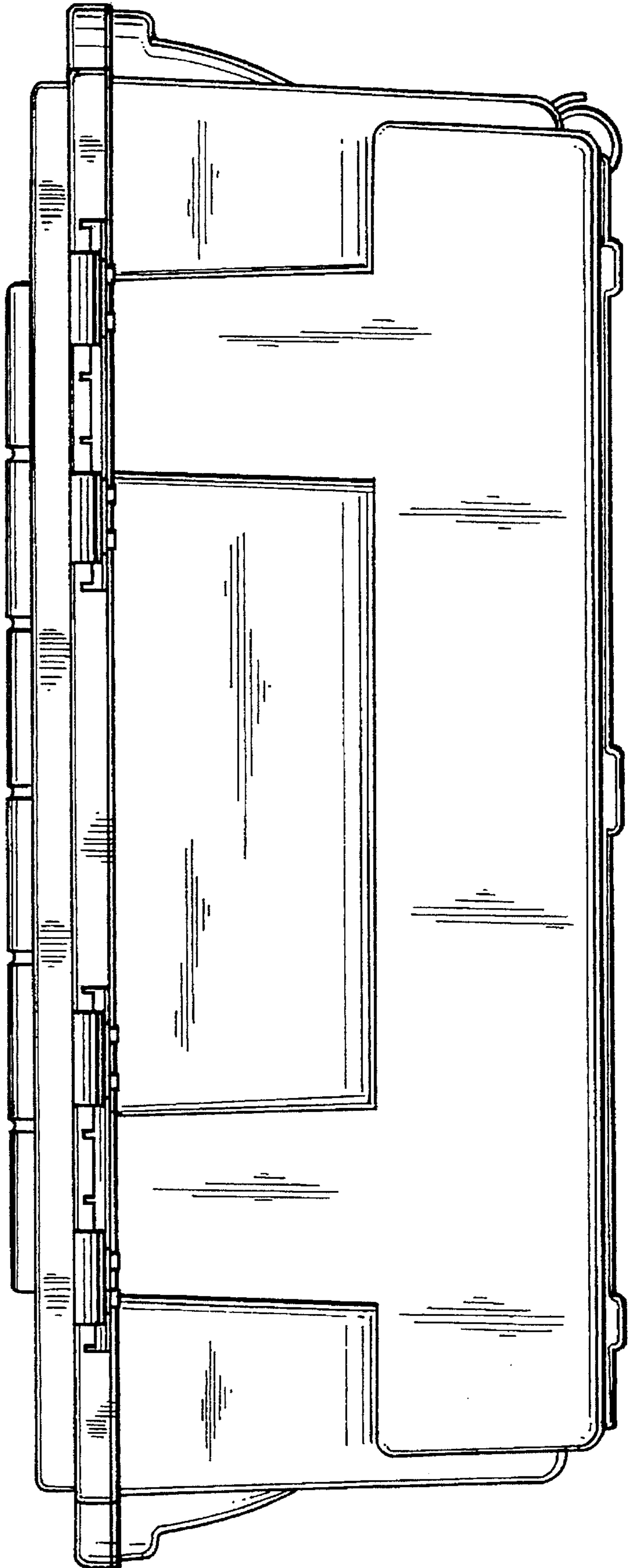


FIG. 4

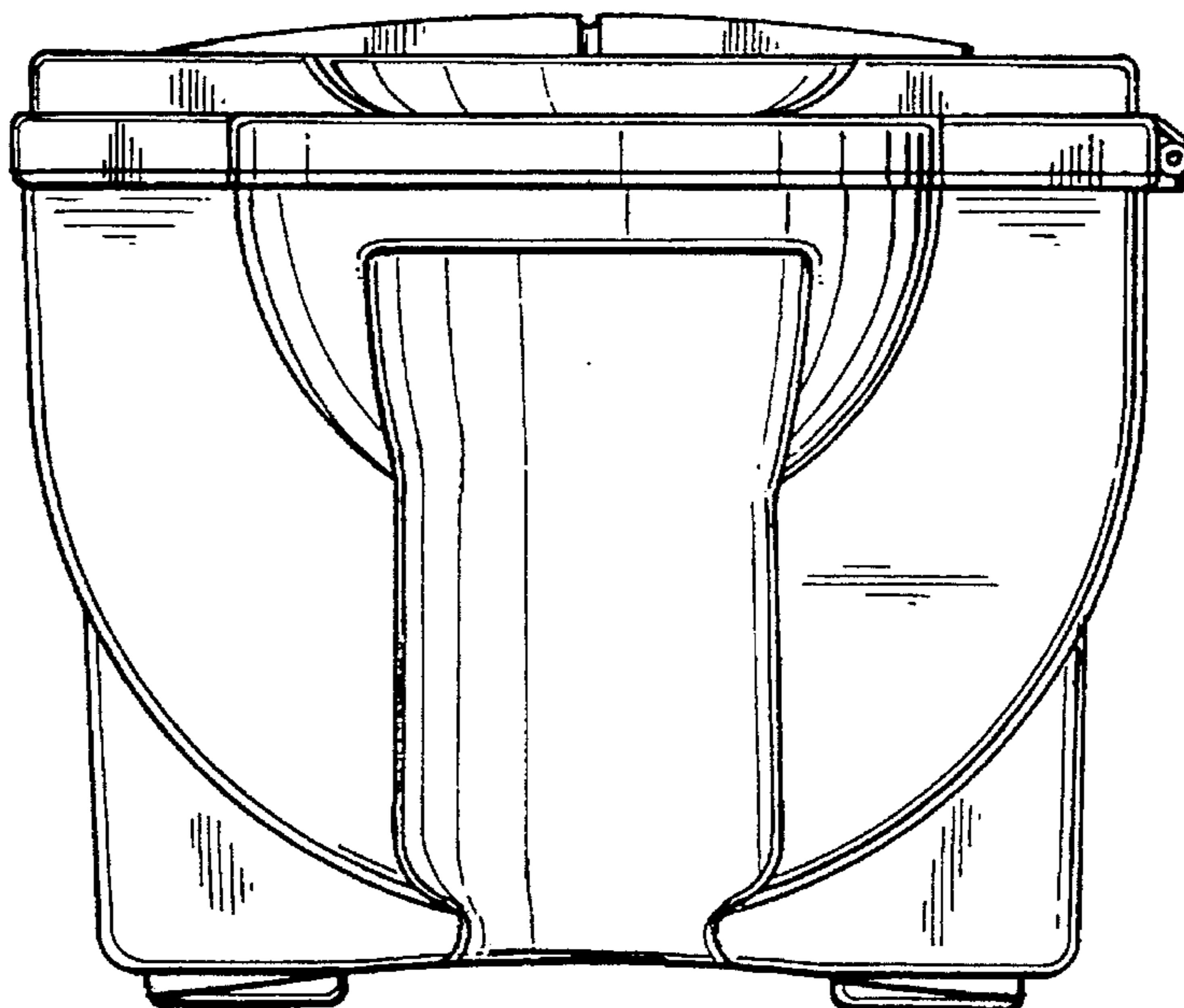


FIG. 5

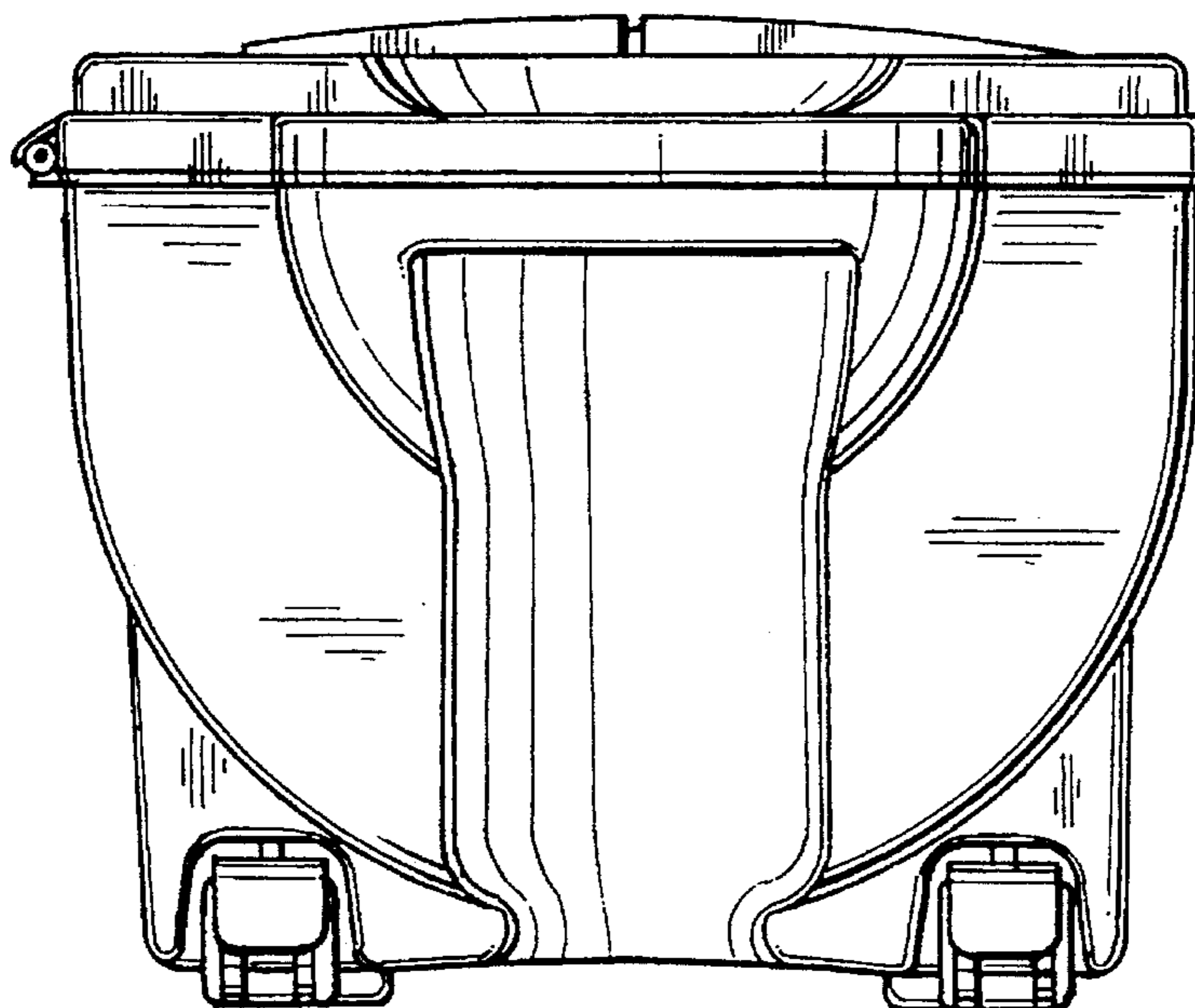


FIG. 6

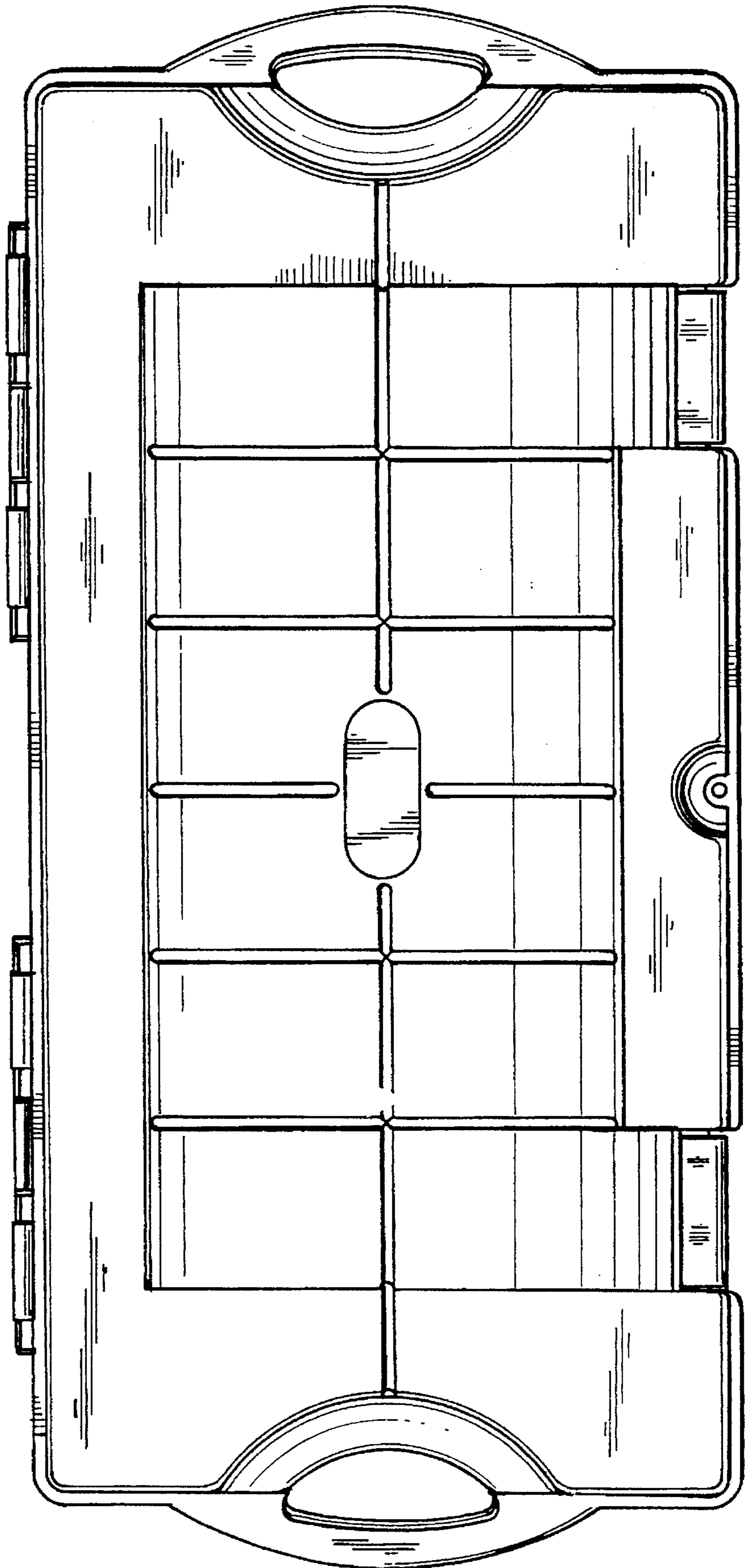


FIG. 7

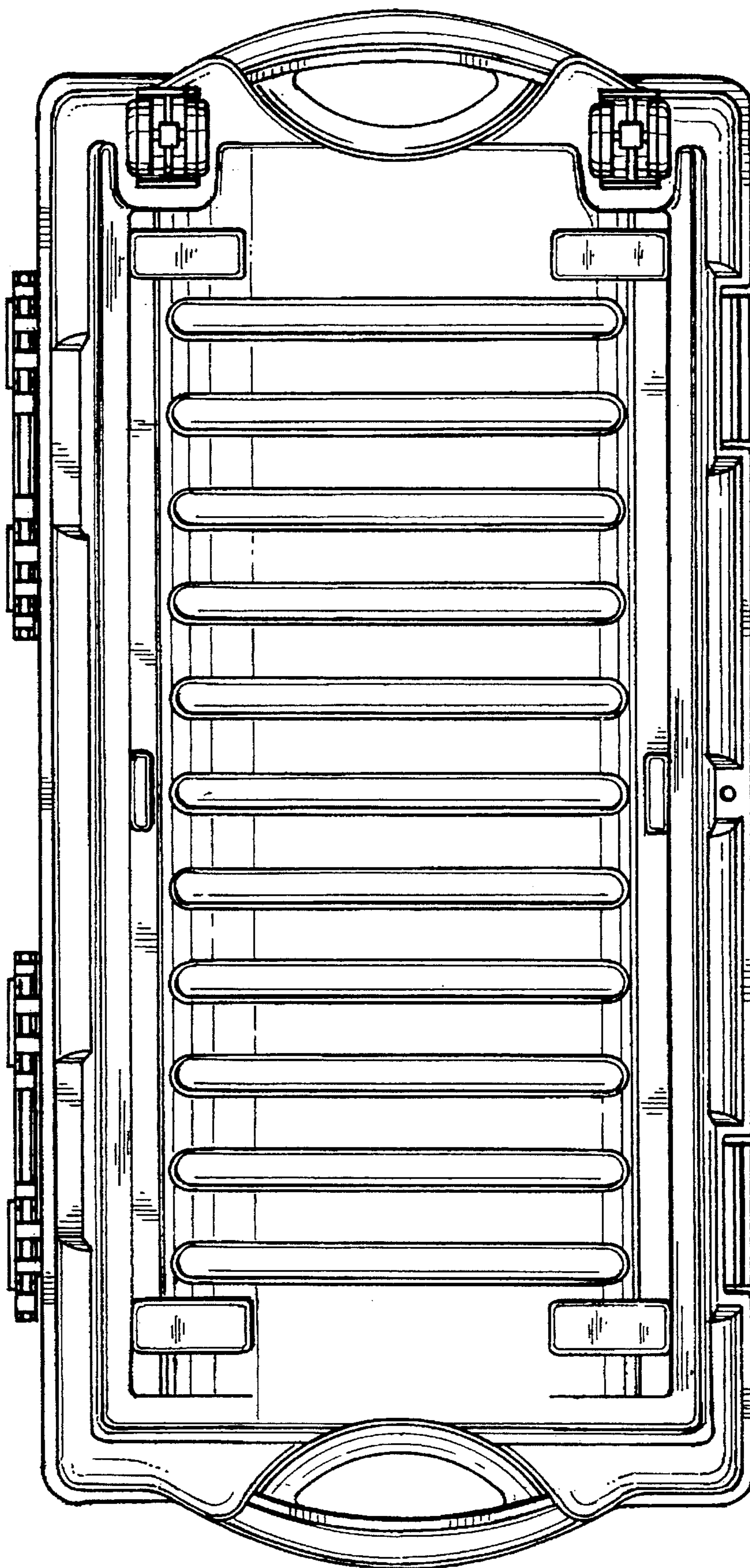


FIG. 8

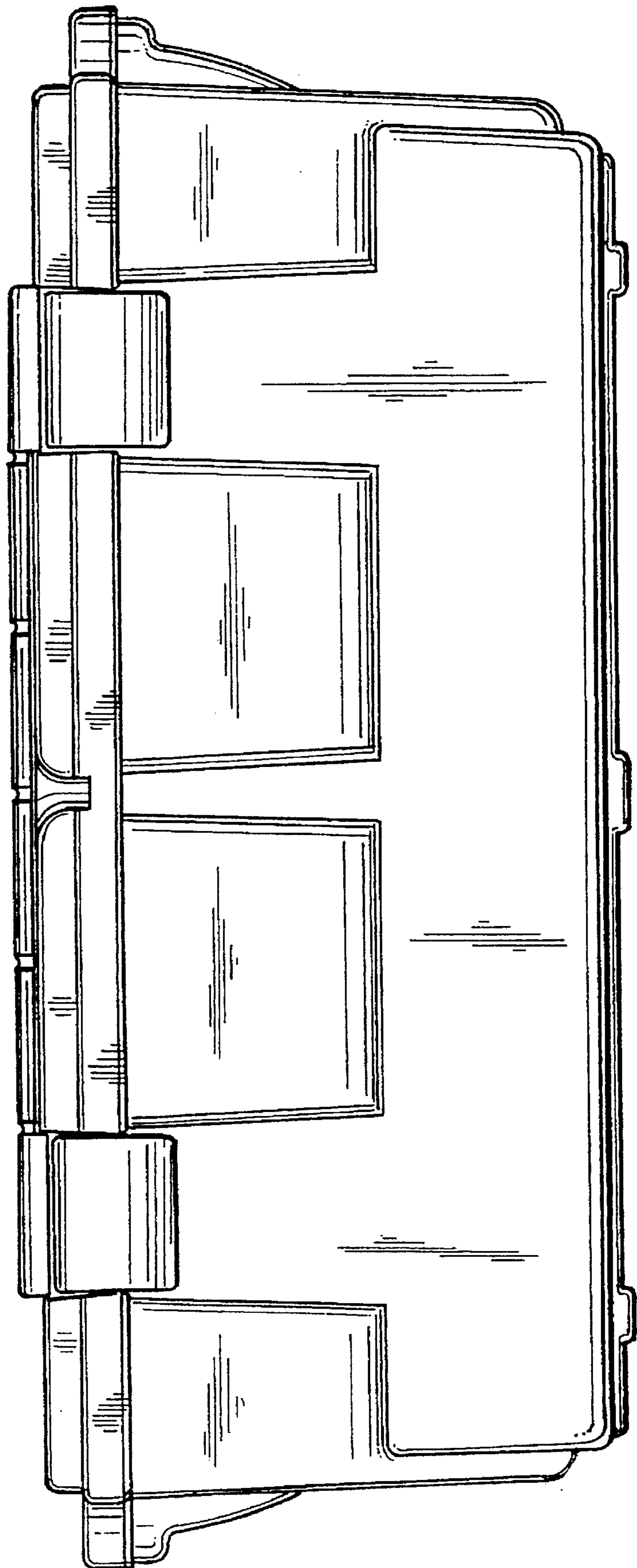




FIG. 9

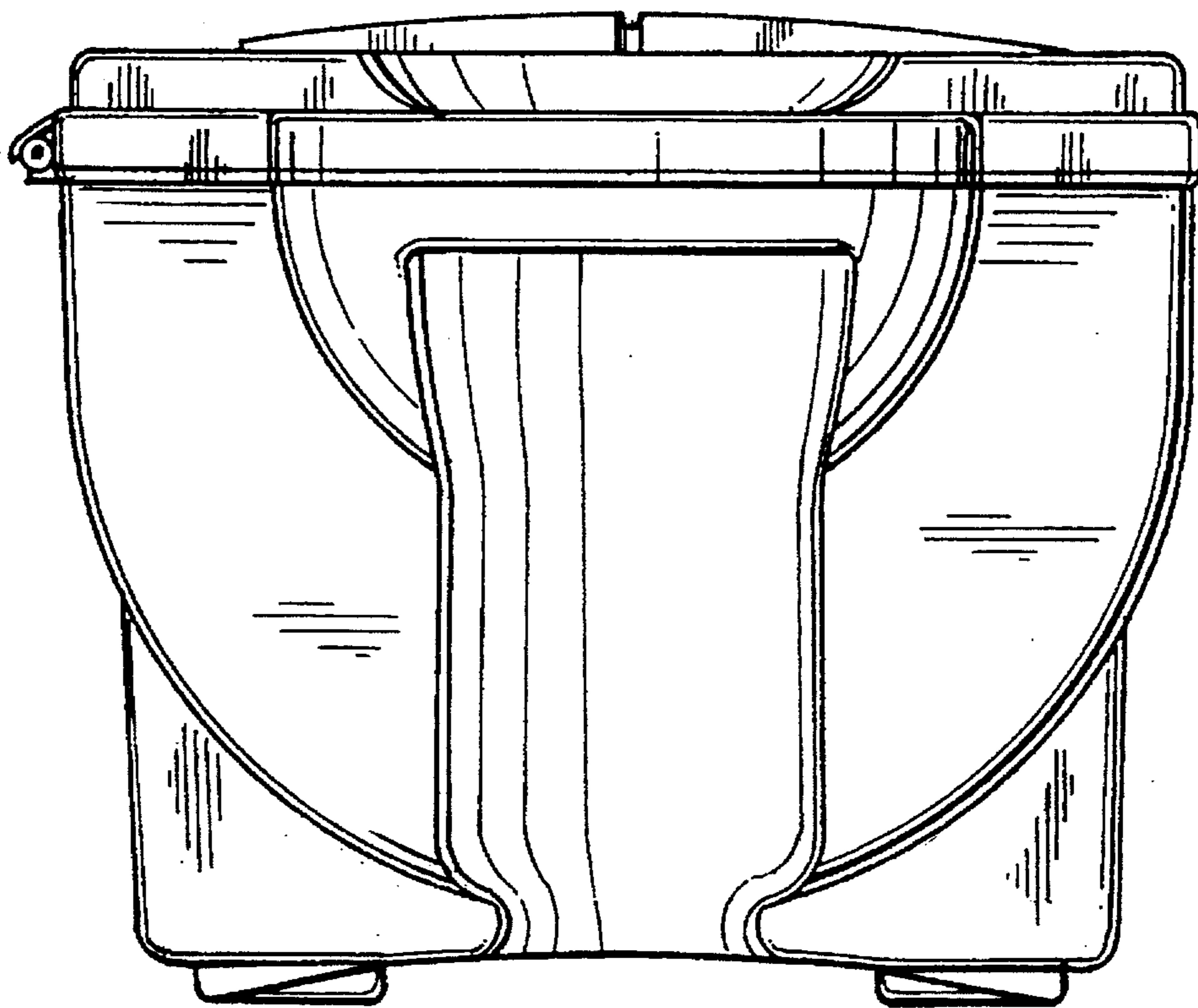


FIG. 10

