



US00D374771S

# United States Patent [19]

[11] Patent Number: **Des. 374,771**

Guegan et al.

[45] Date of Patent: **\*\*Oct. 22, 1996**

[54] **BRIEFCASE CONTAINER FOR TOYS**

1,804,927	5/1931	Gilbert .	
4,872,410	10/1989	Lilly .....	108/26
5,250,000	10/1993	Boutin et al. ....	446/75

[75] Inventors: **Jacques Guegan**, L'Hay les Roses;  
**Francis Lecocq**, Hames-Boucres;  
**Jean-Pierre Moussaud**, Les Attaques,  
all of France

**OTHER PUBLICATIONS**

REMCO SteelTec Work Center/Storage Case, Dec. 1993 (3 photographs).

[73] Assignee: **Meccano, S.A.**, Calais, France

*Primary Examiner*—Philip S. Hyder  
*Attorney, Agent, or Firm*—Pennie & Edmonds

[\*\*] Term: **14 Years**

[21] Appl. No.: **25,819**

[57] **CLAIM**

[22] Filed: **Jul. 6, 1994**

The ornamental design for a briefcase container for toys, as shown and described.

[30] **Foreign Application Priority Data**

**DESCRIPTION**

Apr. 28, 1994 [CA] Canada ..... 1994.0861

[52] U.S. Cl. .... **D3/276**; D3/294; D3/905

[58] Field of Search ..... D3/269, 270, 273,  
D3/274, 276, 281, 282, 294; 206/1.7, 1.8,  
3; 190/100, 115, 118, 900, 901

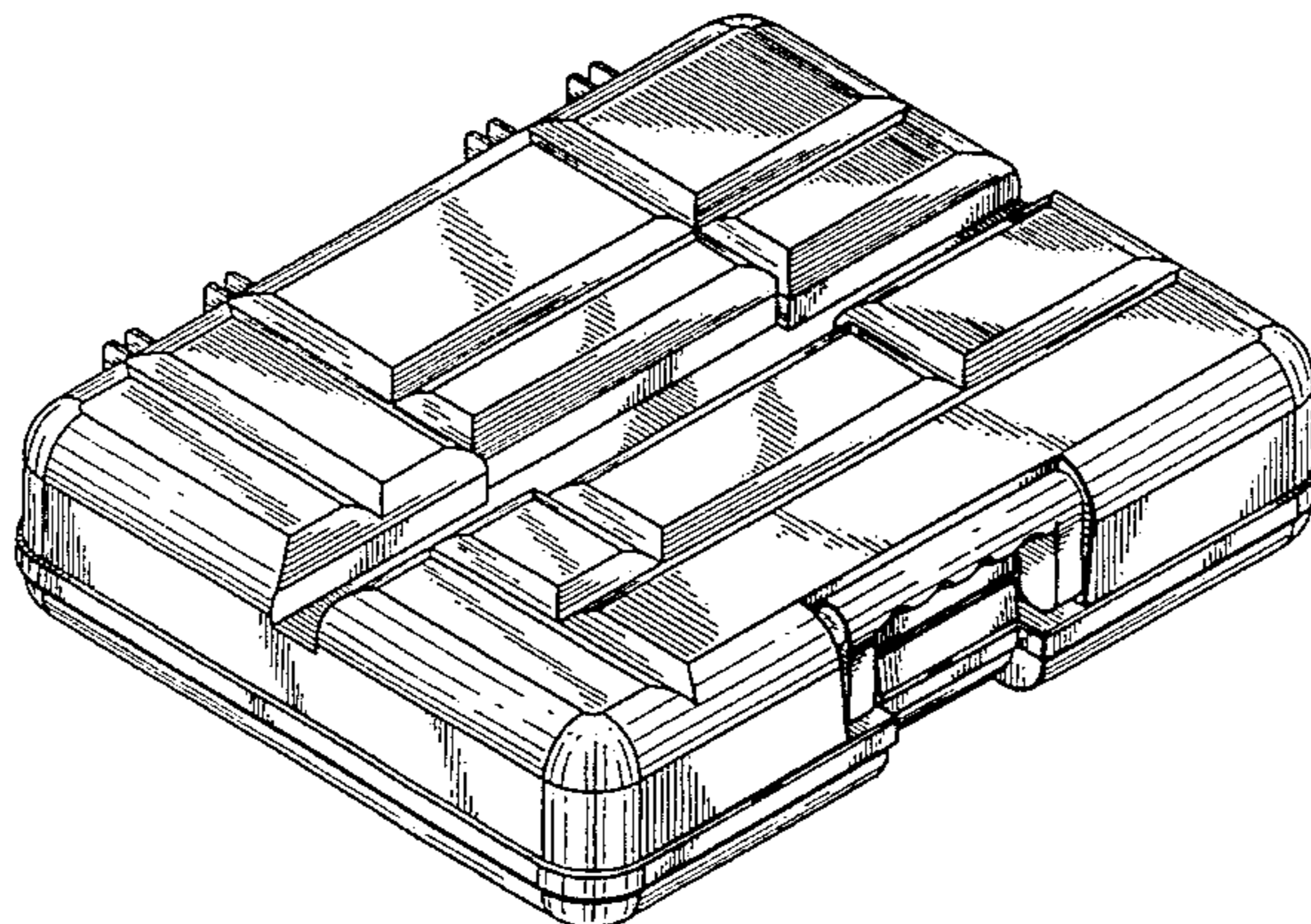
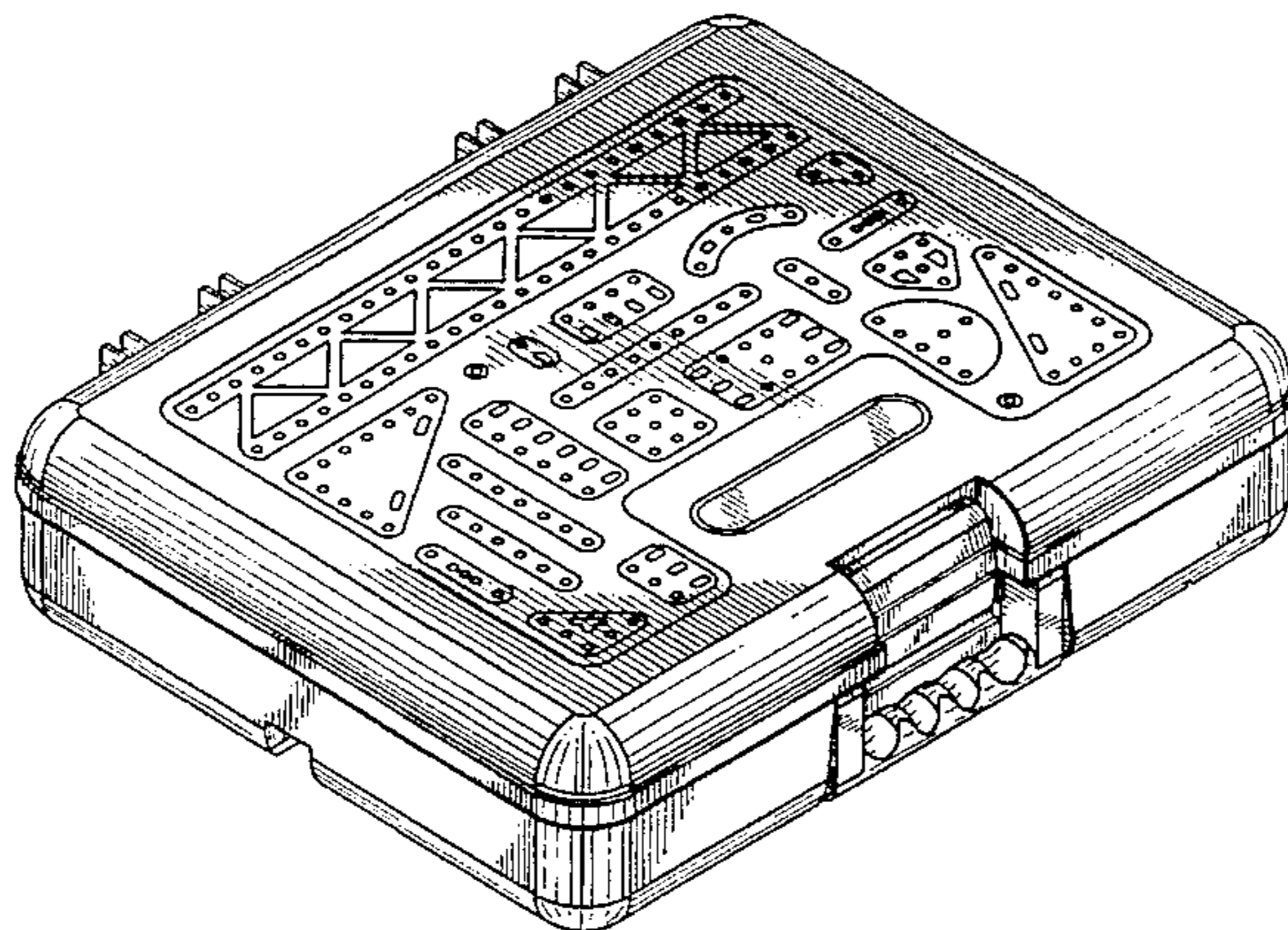
FIG. 1 is a perspective view of a first embodiment of a container for toys showing the top side thereof;  
 FIG. 2 is a bottom perspective view of the container shown in FIG. 1;  
 FIG. 3 is a top view of thereof;  
 FIG. 4 is a front view thereof;  
 FIG. 5 is a rear view thereof;  
 FIG. 6 is a left side view thereof;  
 FIG. 7 is a right side view thereof;  
 FIG. 8 is a bottom view thereof; and,  
 FIG. 9 is a perspective view of a second embodiment thereof, wherein the bottom, left side, right side, and front views being identical to the corresponding views of the first embodiment.

[56] **References Cited**

**U.S. PATENT DOCUMENTS**

D. 286,231	10/1986	Werk .....	D3/281
D. 316,332	4/1991	Bridges et al. ....	D3/281
D. 322,889	1/1992	Ward .....	D3/281
D. 336,366	6/1993	Slayton .....	D3/282
D. 351,504	10/1994	Tarozzi .....	D3/276
D. 353,048	12/1994	Van Skiver et al. ....	D3/276
D. 353,265	12/1994	Newby, Sr. ....	D3/276
D. 355,763	2/1995	Sun .....	D3/276
D. 356,890	4/1995	Ryaa .....	D3/276

**1 Claim, 9 Drawing Sheets**





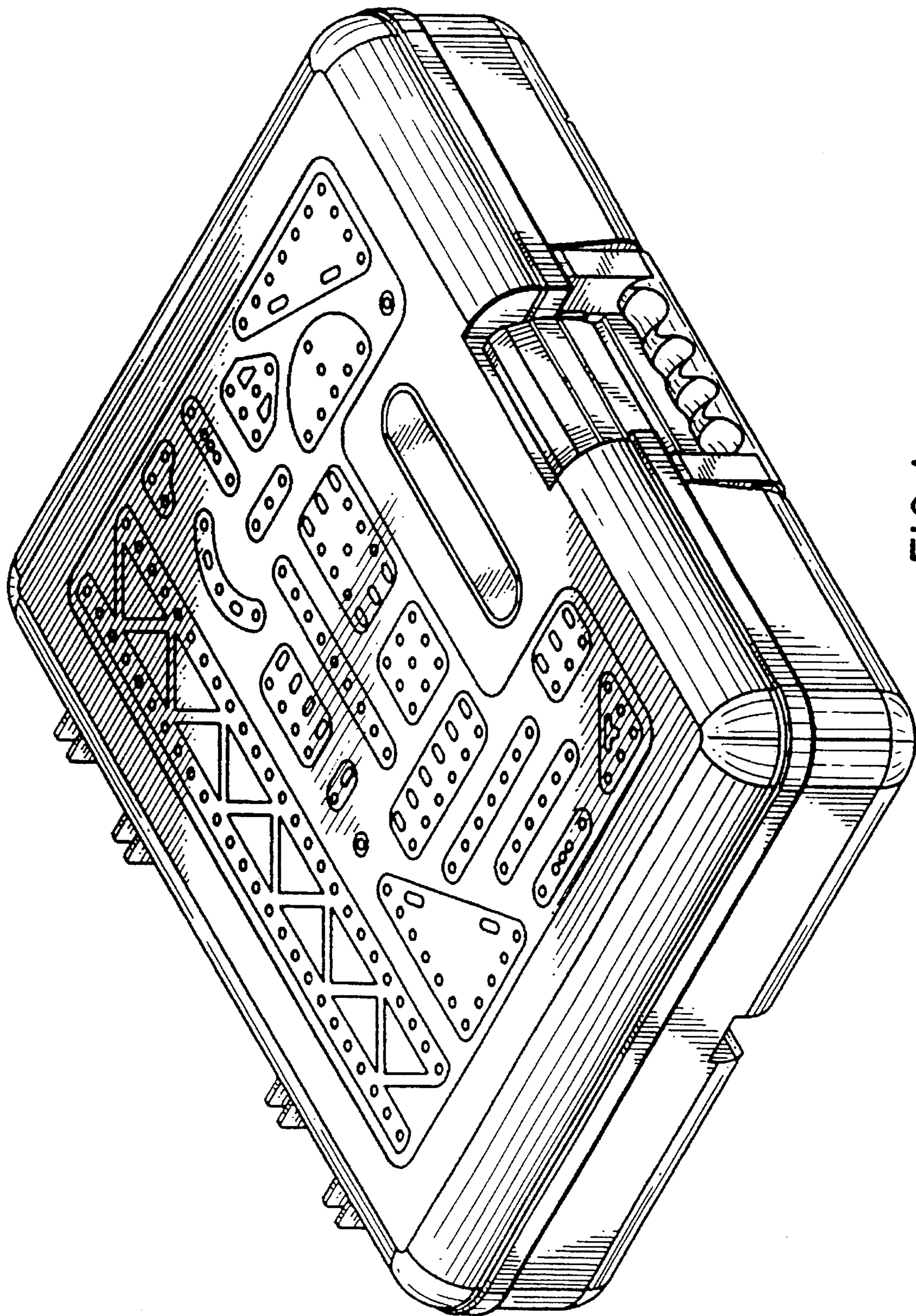


FIG. 1



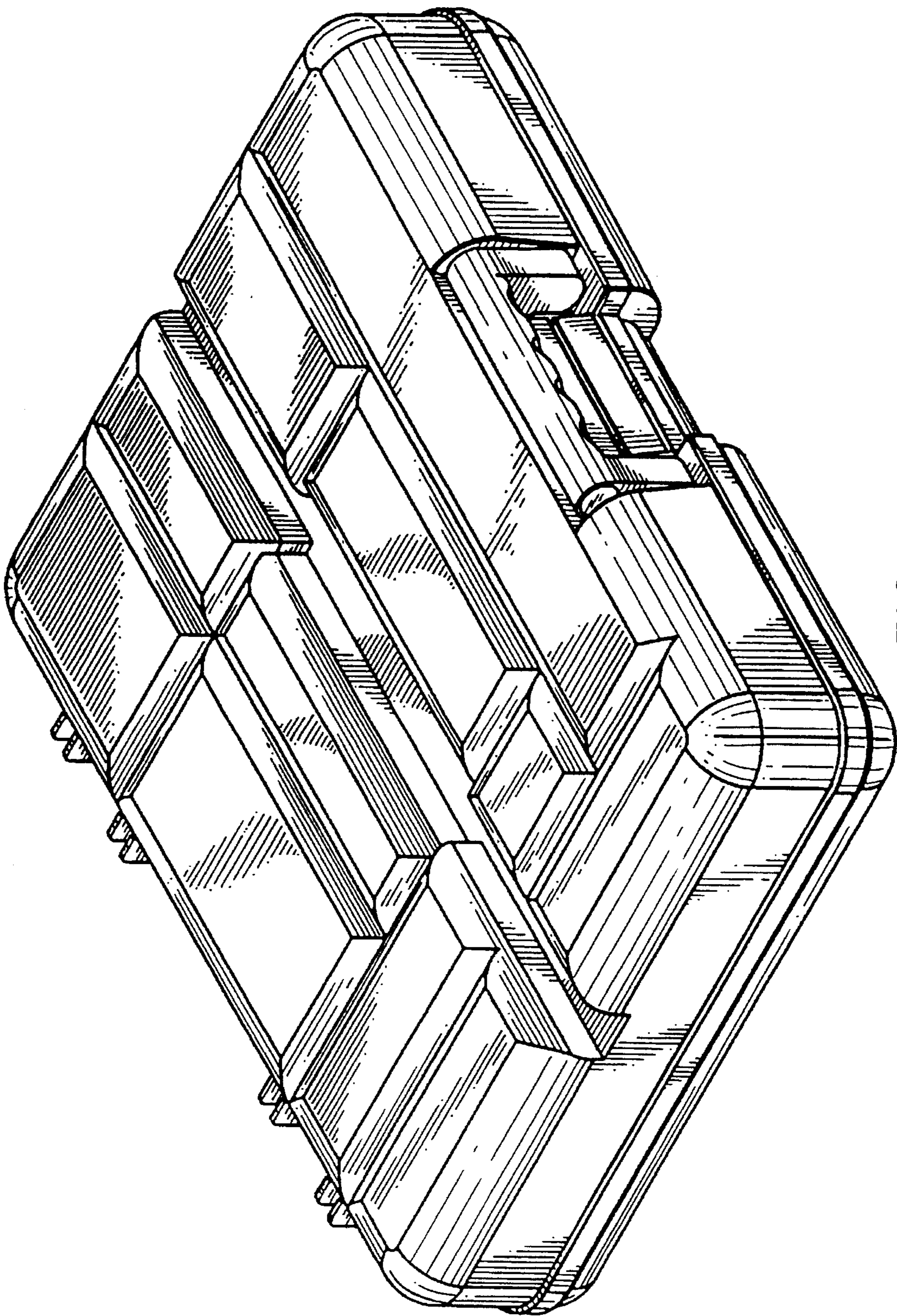


FIG. 2

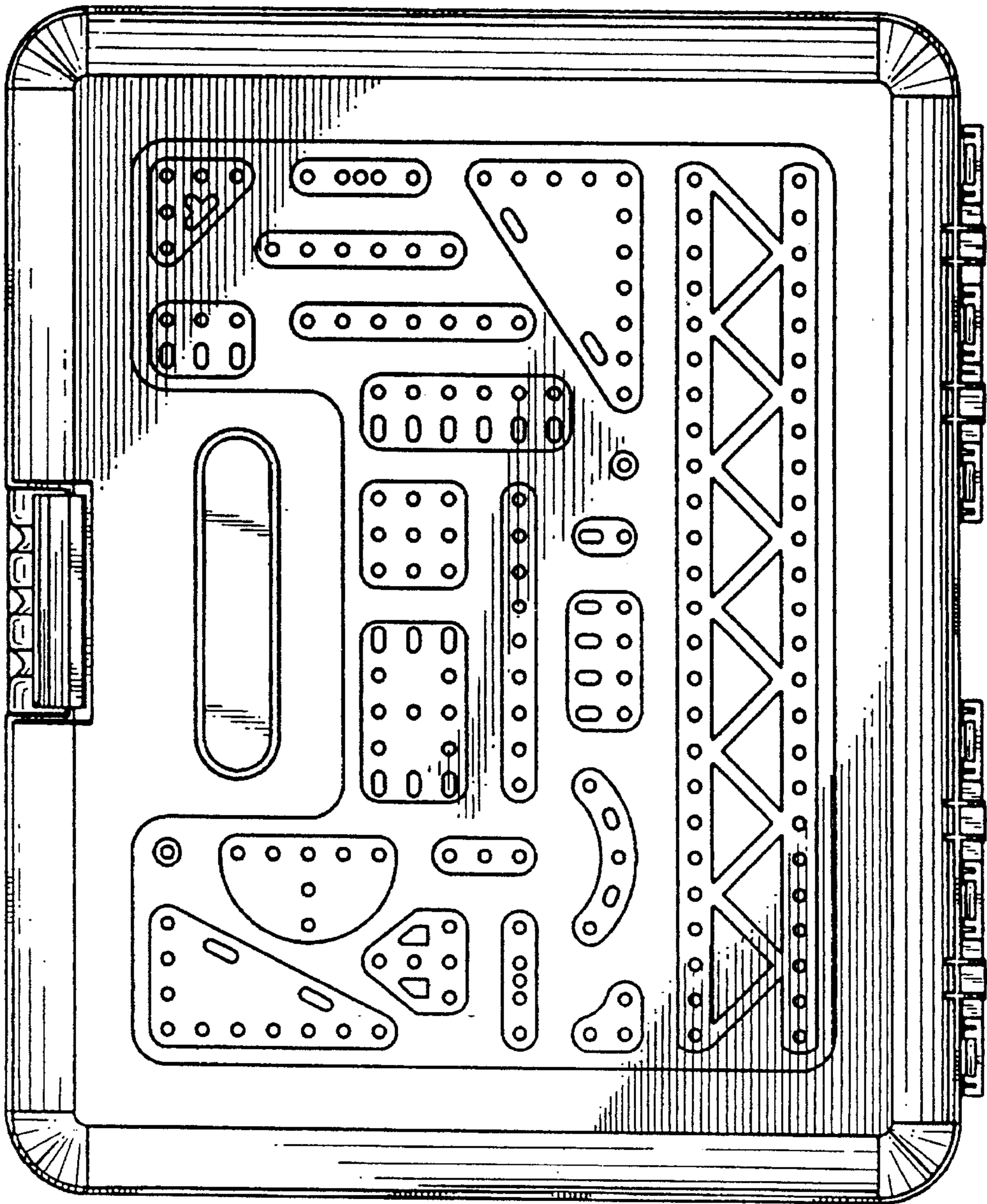


FIG. 3



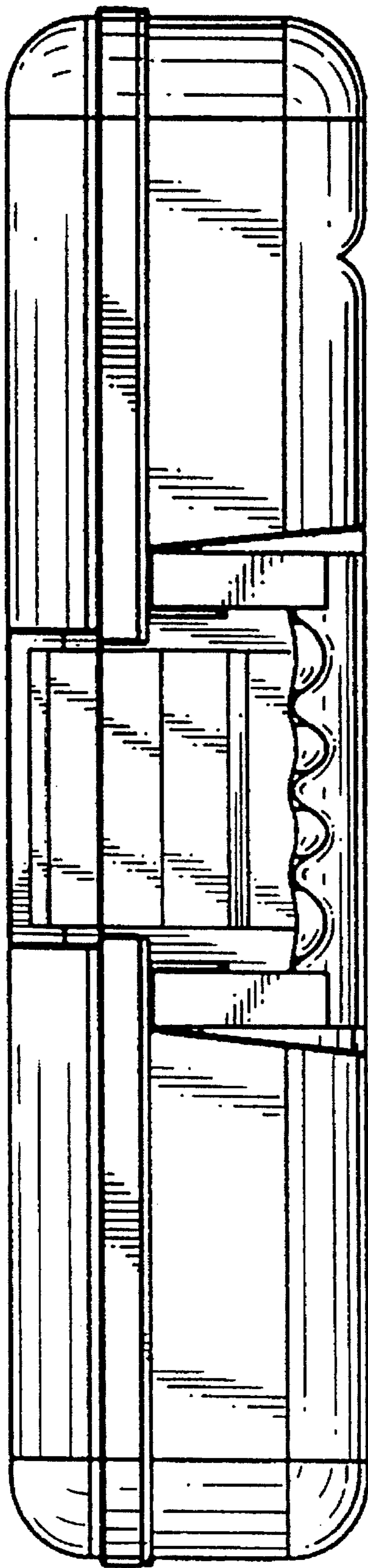


FIG. 4

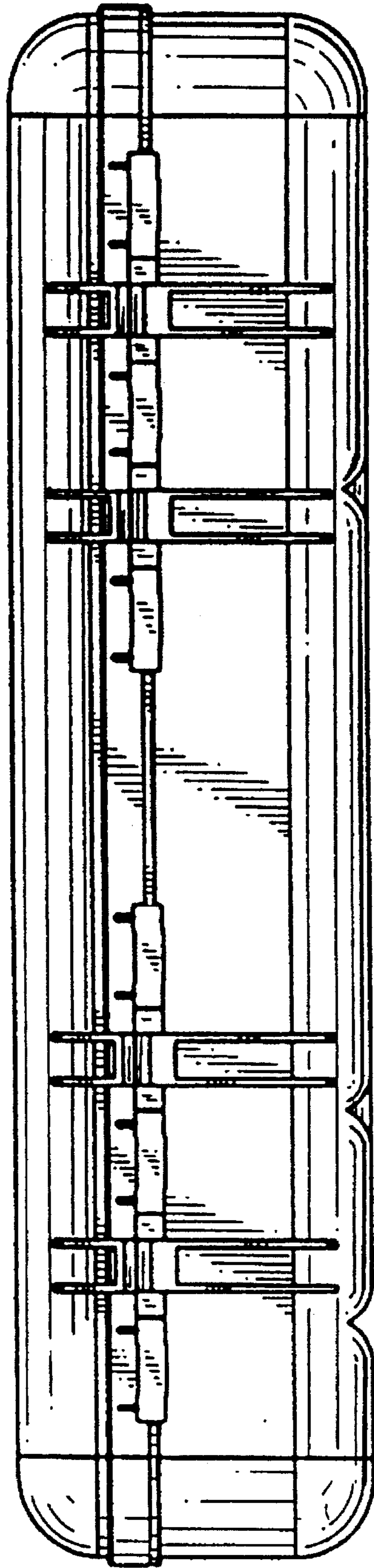


FIG. 5

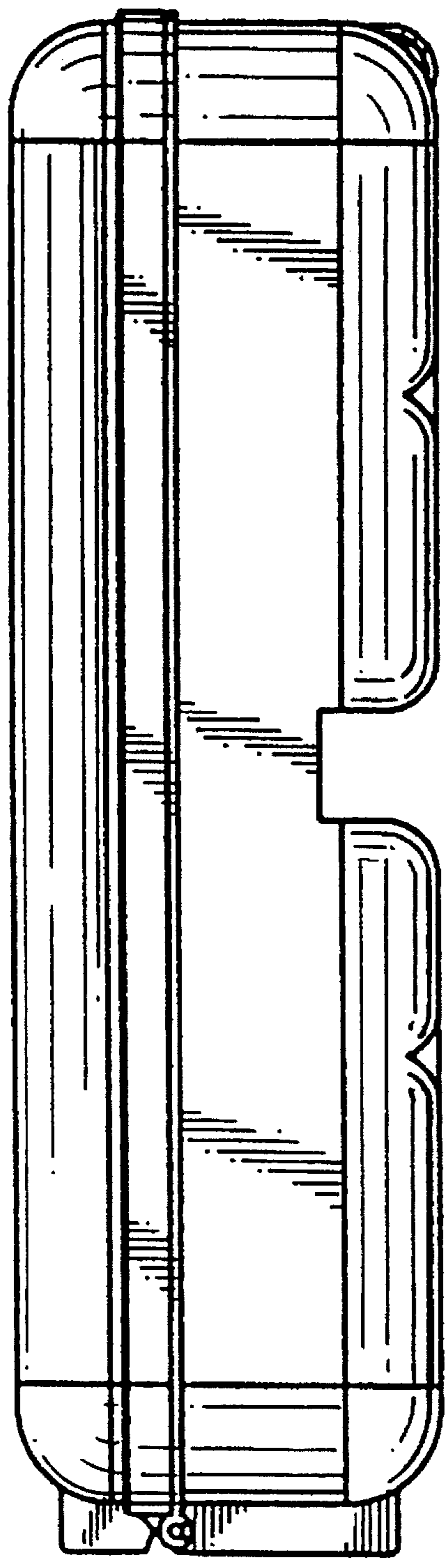


FIG. 6

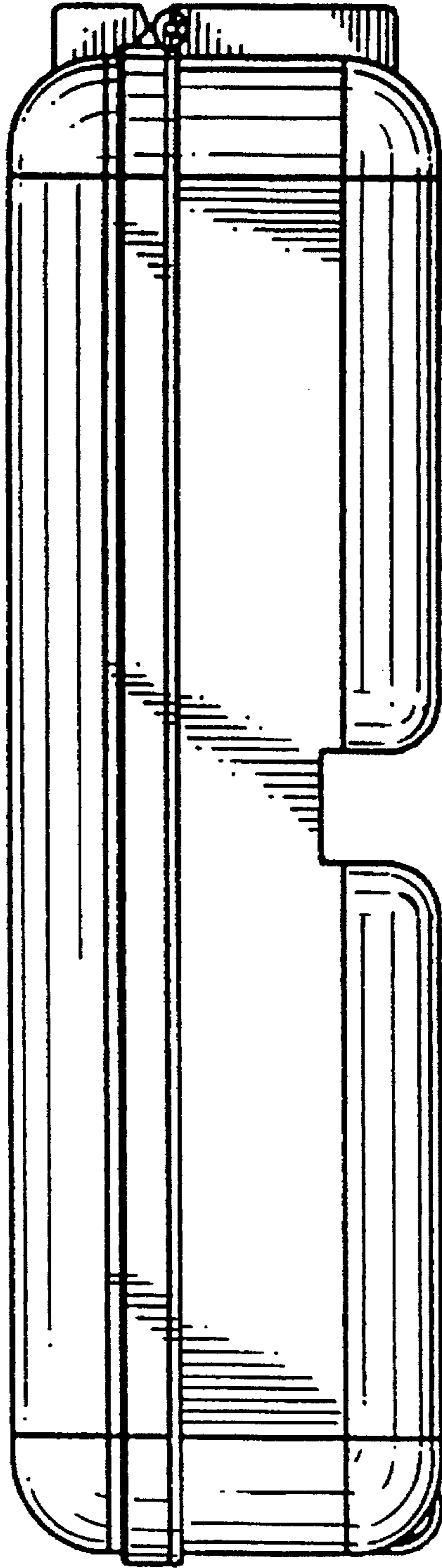


FIG. 7



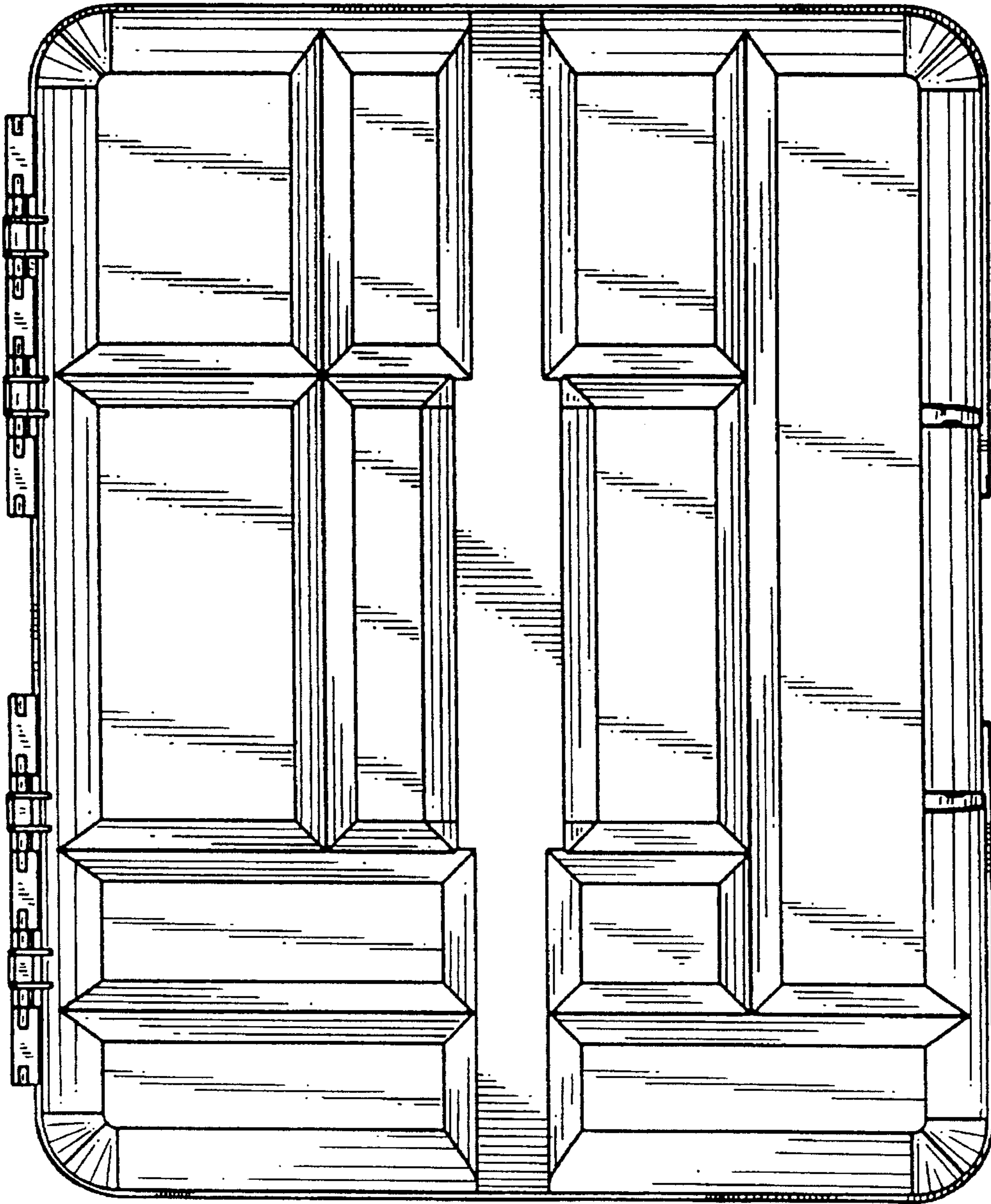


FIG. 8

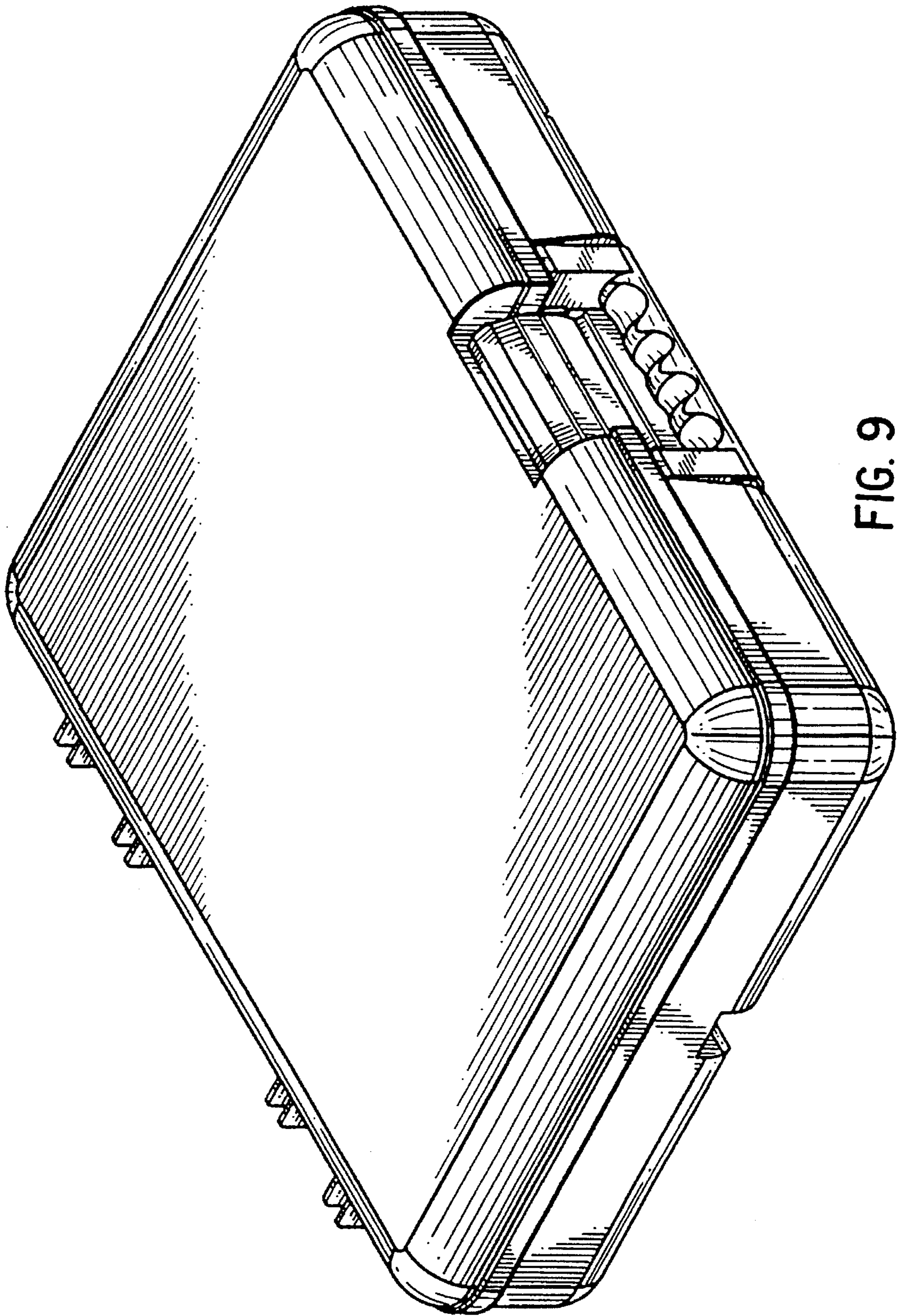


FIG. 9