



US00D374769S

United States Patent [19] Case

[11] **Patent Number: Des. 374,769**
[45] **Date of Patent: **Oct. 22, 1996**

[54] **FLASHLIGHT AND BATTERY CARRIER**

5,053,932 10/1991 Case 362/105
5,167,447 12/1992 Gonzales 362/202
5,188,450 2/1993 Anderson 362/194

[75] Inventor: **Richard N. Case, Boulder, Colo.**

[73] Assignee: **RCP Enterprises, Inc., Boulder, Colo.**

[**] Term: **14 Years**

Primary Examiner—Doris V. Coles
Assistant Examiner—Catherine R. Oliver
Attorney, Agent, or Firm—Donald W. Margolis; John R. Wahl

[21] Appl. No.: **32,858**

[57] **CLAIM**

[22] Filed: **Dec. 30, 1994**

The ornamental design for a flashlight and battery carrier, as shown and described.

[52] U.S. Cl. **D3/229; D3/228**

[58] Field of Search D3/228, 229; D26/37,
D26/38, 39; 224/206, 226, 236, 240, 251,
253, 901, 904

DESCRIPTION

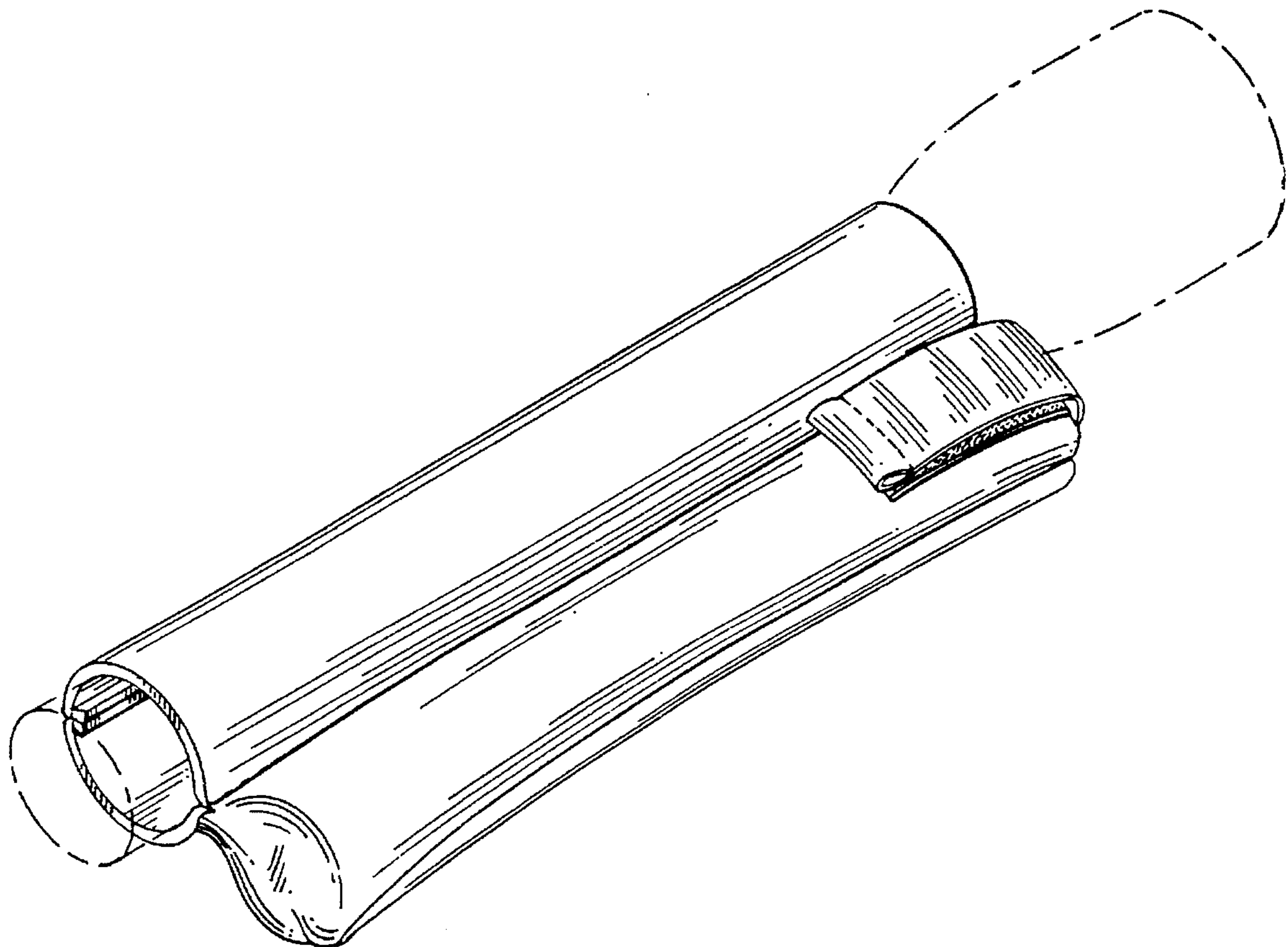
[56] **References Cited**

U.S. PATENT DOCUMENTS

D. 233,490	11/1974	Bailey	D3/229
D. 271,160	11/1983	Sherwin	D3/229
D. 293,628	1/1988	Teachey	D3/229
D. 354,677	1/1995	Troyer	D3/215 X
3,970,228	7/1976	Keller	224/253 X
4,415,954	11/1983	Schaefer	362/202
4,754,379	6/1988	Kelley	362/202
4,887,194	12/1989	Fields	362/105
4,985,812	1/1991	Uke	362/158

FIG. 1 is a perspective view of the flashlight and battery carrier in accordance with my design as it will appear when it is carrying a flashlight and batteries, the flashlight being shown in phantom for illustrative purposes only, and not constituting a part of the design;
FIG. 2 is a front elevational view thereof;
FIG. 3 is a rear elevational view thereof;
FIG. 4 is a left side elevational view thereof;
FIG. 5 is a right side elevational view thereof;
FIG. 6 is a top plan view thereof; and,
FIG. 7 is a bottom view thereof.

1 Claim, 1 Drawing Sheet



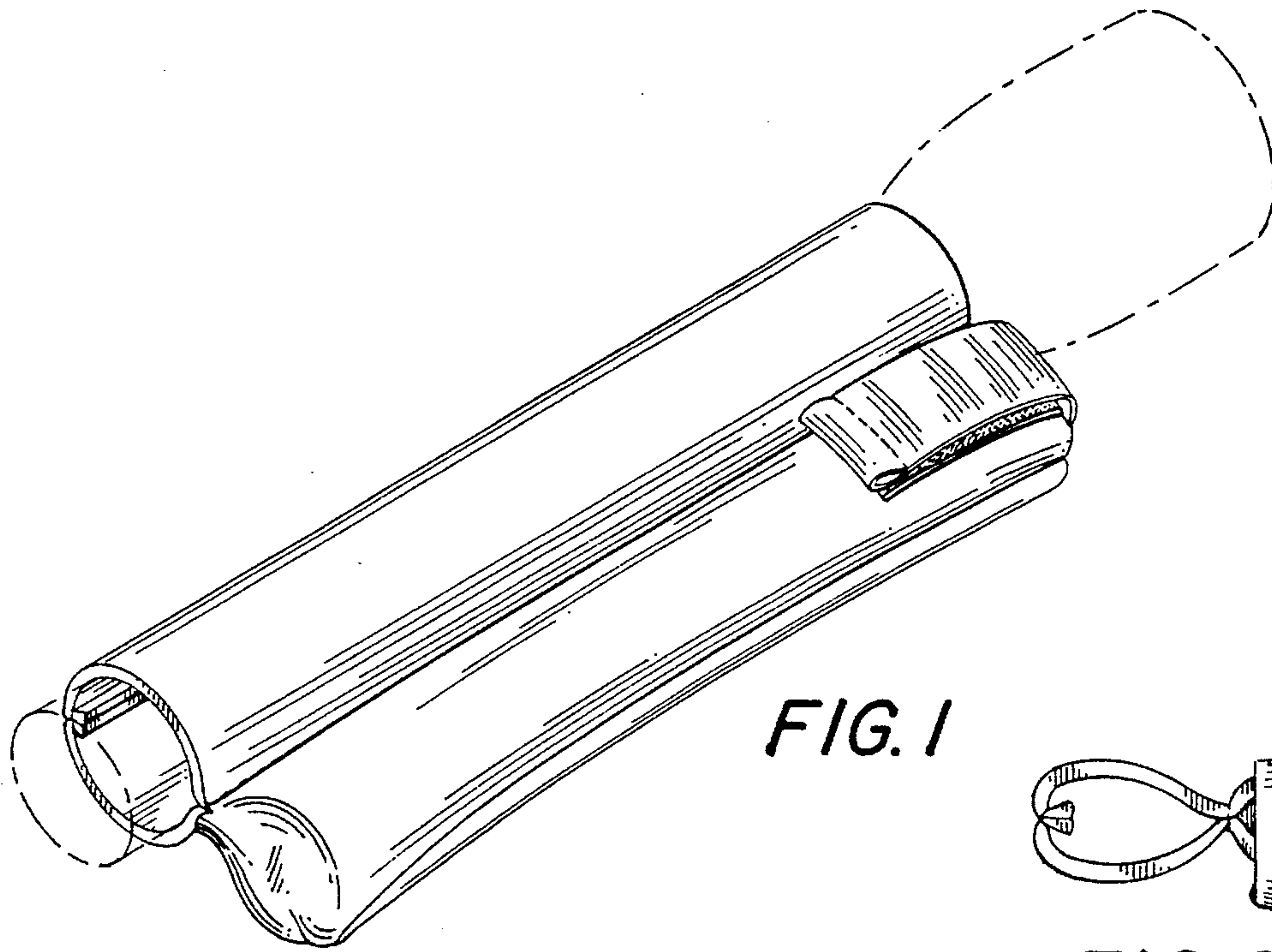


FIG. 1

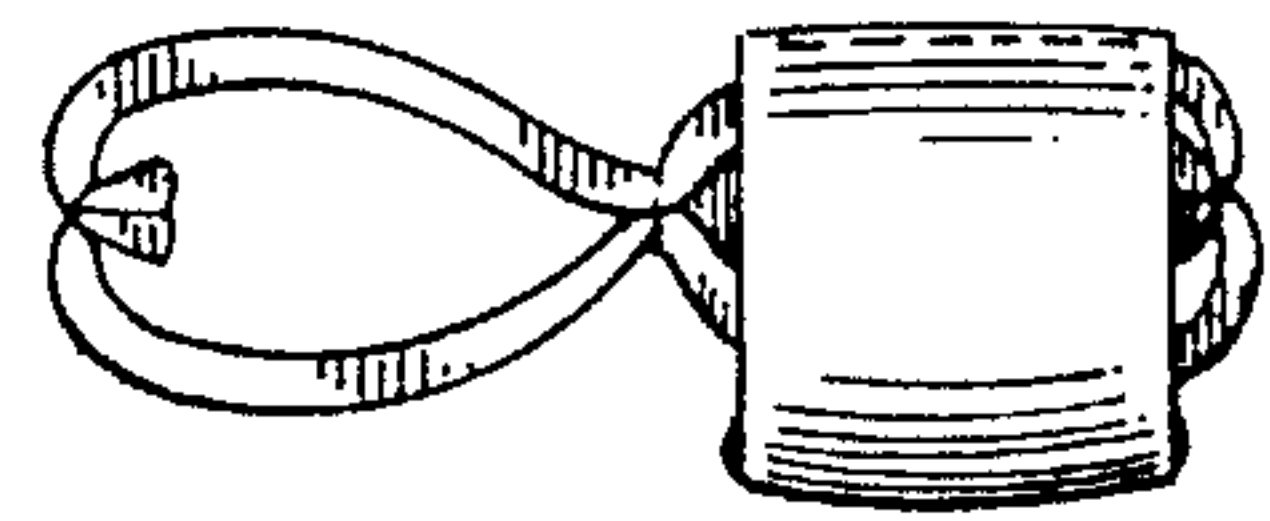


FIG. 6

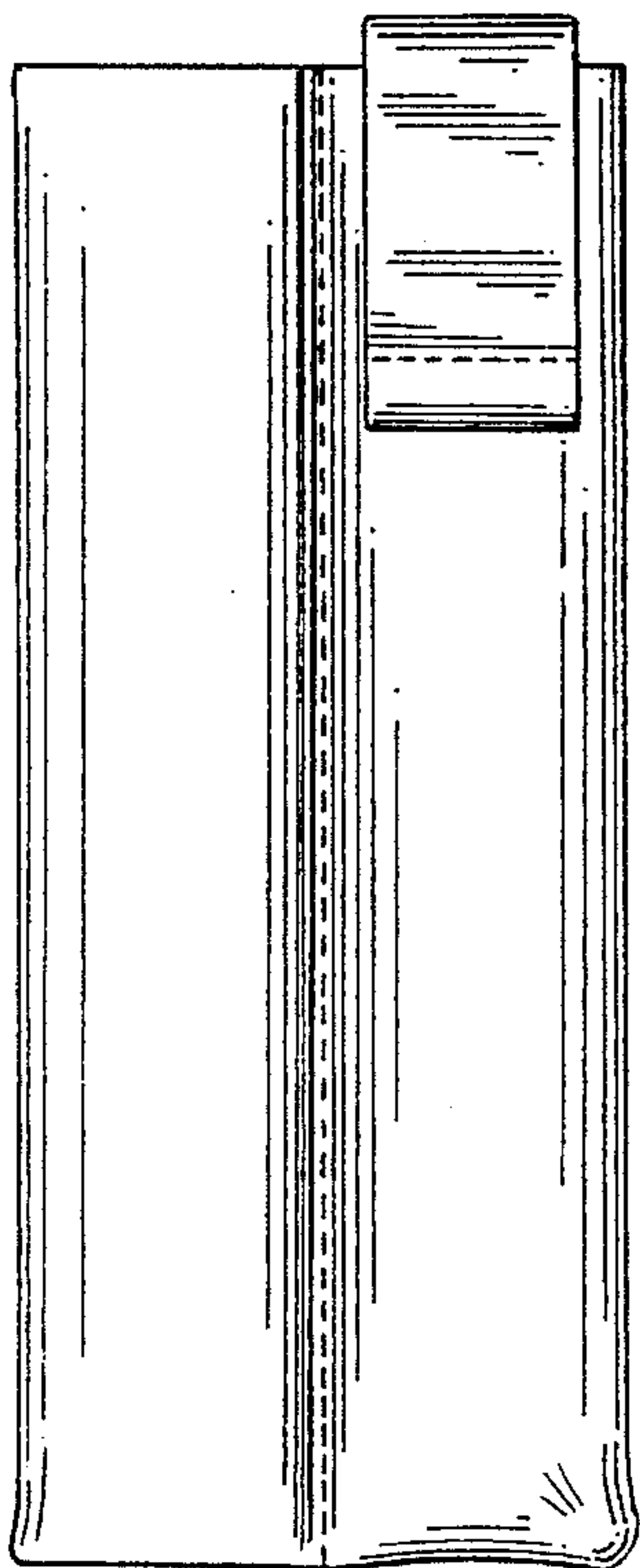


FIG. 2

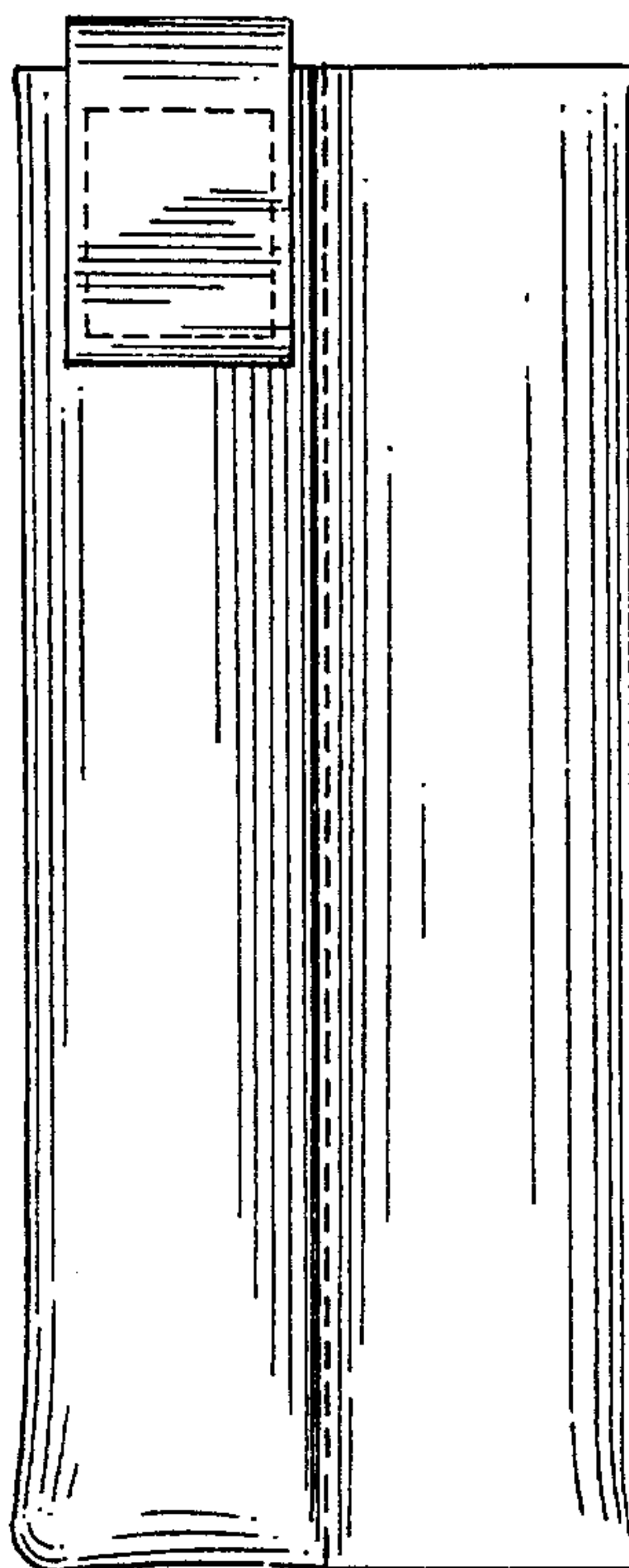


FIG. 3

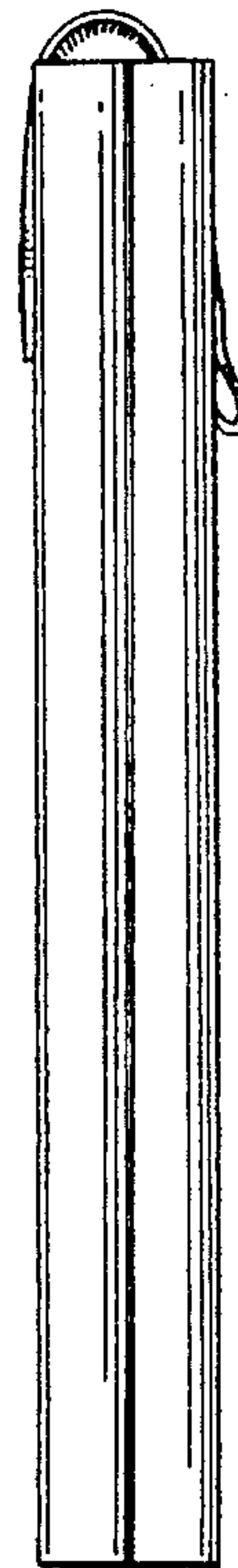


FIG. 4

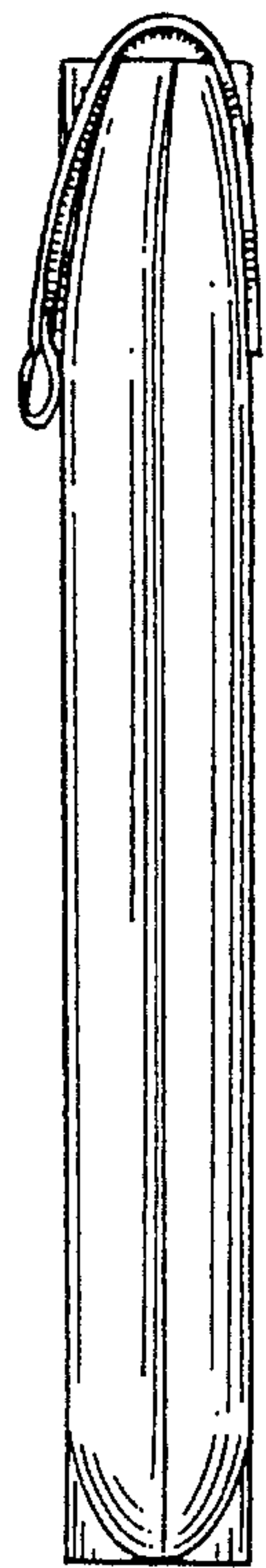


FIG. 5

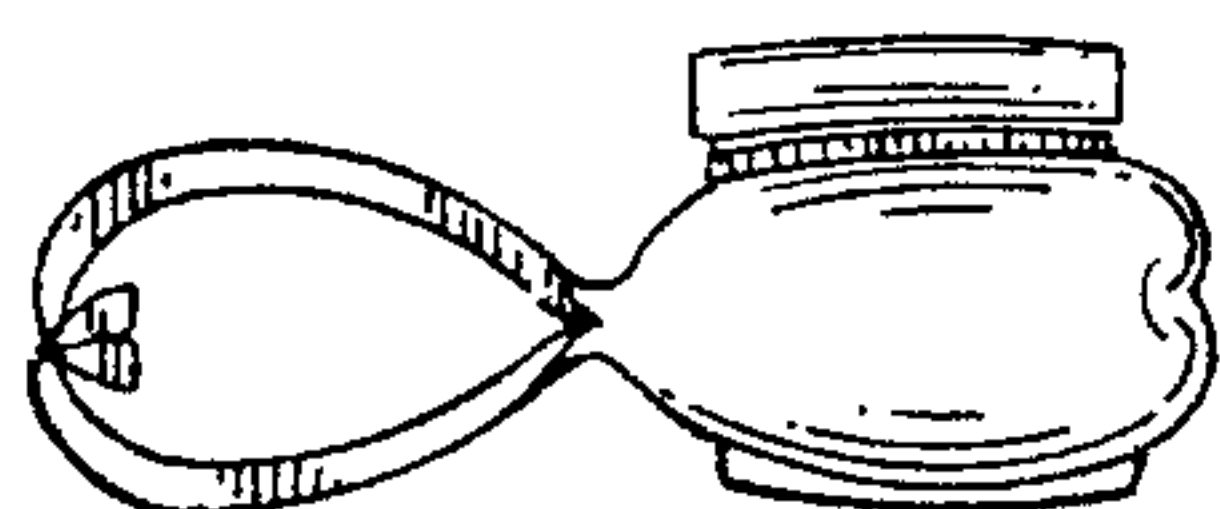


FIG. 7