



US00D374765S

**United States Patent** [19]  
**Jones**

[11] **Patent Number: Des. 374,765**

[45] **Date of Patent: \*\*Oct. 22, 1996**

[54] **KEY HOLDER**

[75] Inventor: **Stephen W. Jones**, Emporia, Kans.

[73] Assignee: **Jasco, Inc.**, Emporia, Kans.

[\*\*] Term: **14 Years**

[21] Appl. No.: **42,489**

[22] Filed: **Aug. 11, 1995**

[52] **U.S. Cl.** ..... **D3/212**

[58] **Field of Search** ..... D3/207-212; D22/117;  
273/84 R

[56] **References Cited**

**U.S. PATENT DOCUMENTS**

D. 210,800	4/1968	Brinkman .....	D3/212
D. 215,076	8/1969	Hinkle .....	D3/212
D. 357,051	4/1995	Strenkowski .....	D3/208
2,569,629	10/1951	Everitt .....	D3/208

*Primary Examiner*—Ralf Seifert

*Attorney, Agent, or Firm*—Hovey, Williams, Timmons & Collins

[57] **CLAIM**

The ornamental design for a key holder, as shown and described.

**DESCRIPTION**

FIG. 1 is a perspective view of the key holder;

FIG. 2 is a top plan view;

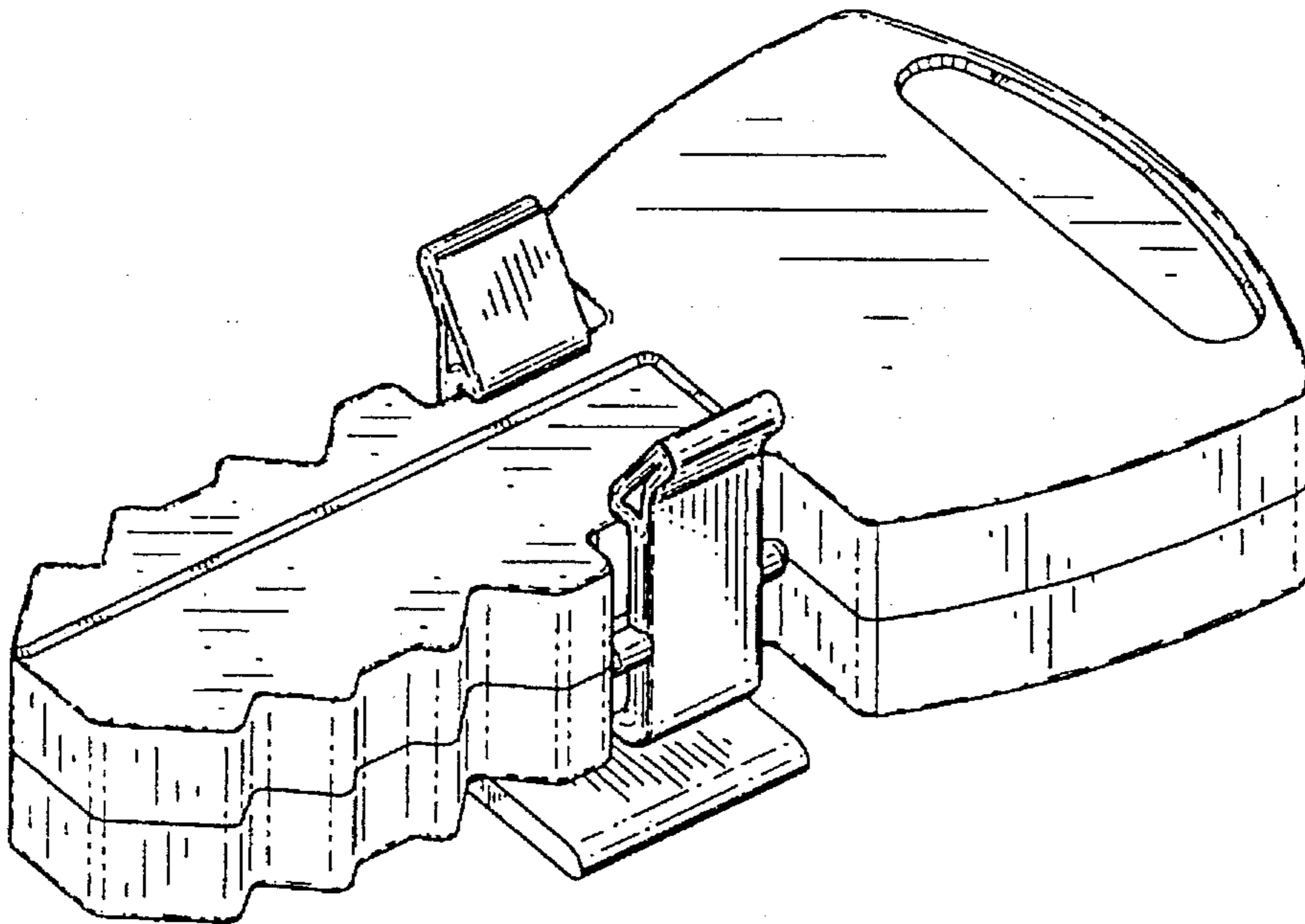
FIG. 3 is a bottom plan view;

FIG. 4 is an elevational view taken from the right side of FIG. 3;

FIG. 5 is a perspective view similar to FIG. 1 but without the holding clip; and,

FIG. 6 is a perspective view of the holding clip.

**1 Claim, 1 Drawing Sheet**



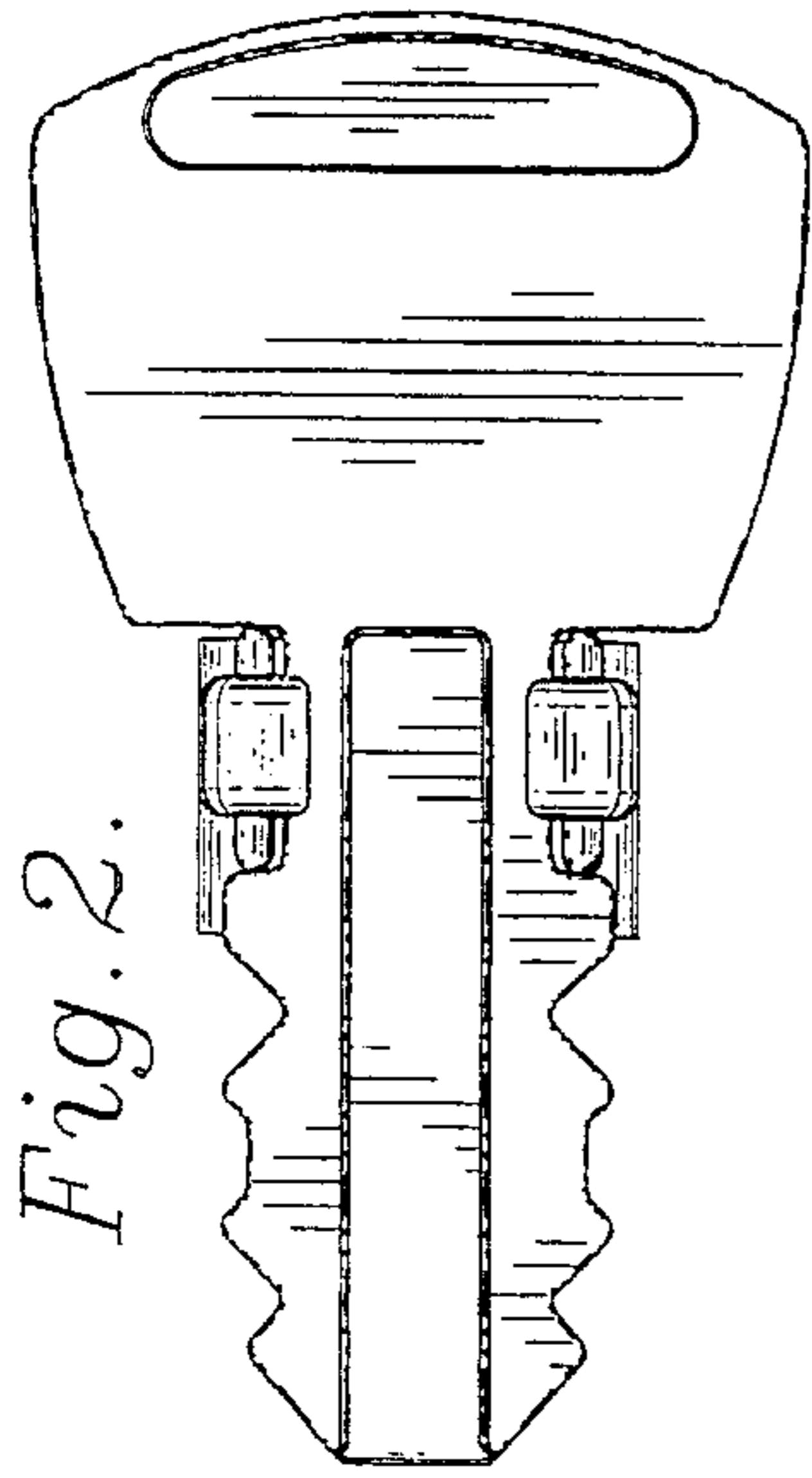


Fig. 2.

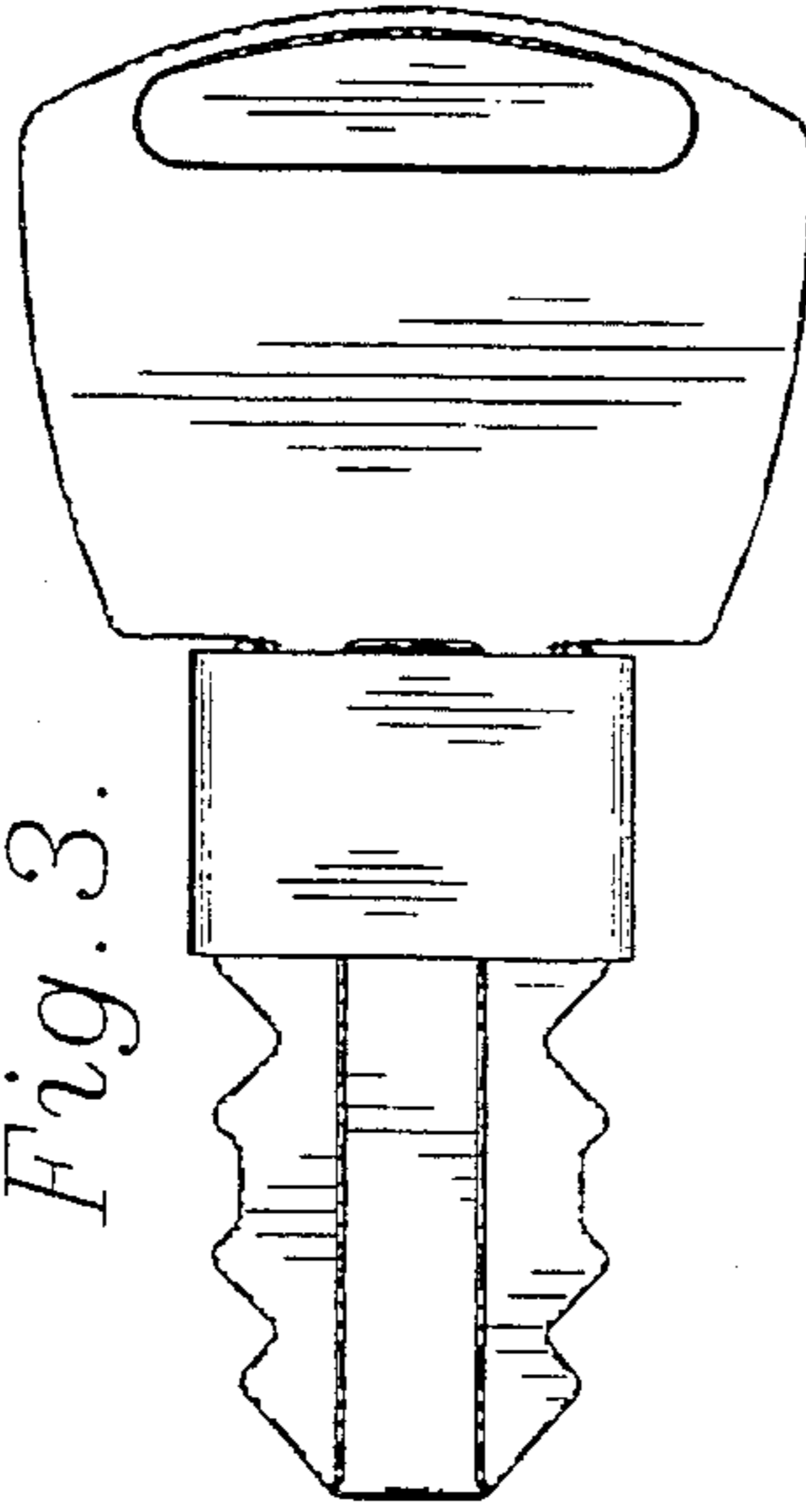


Fig. 3.

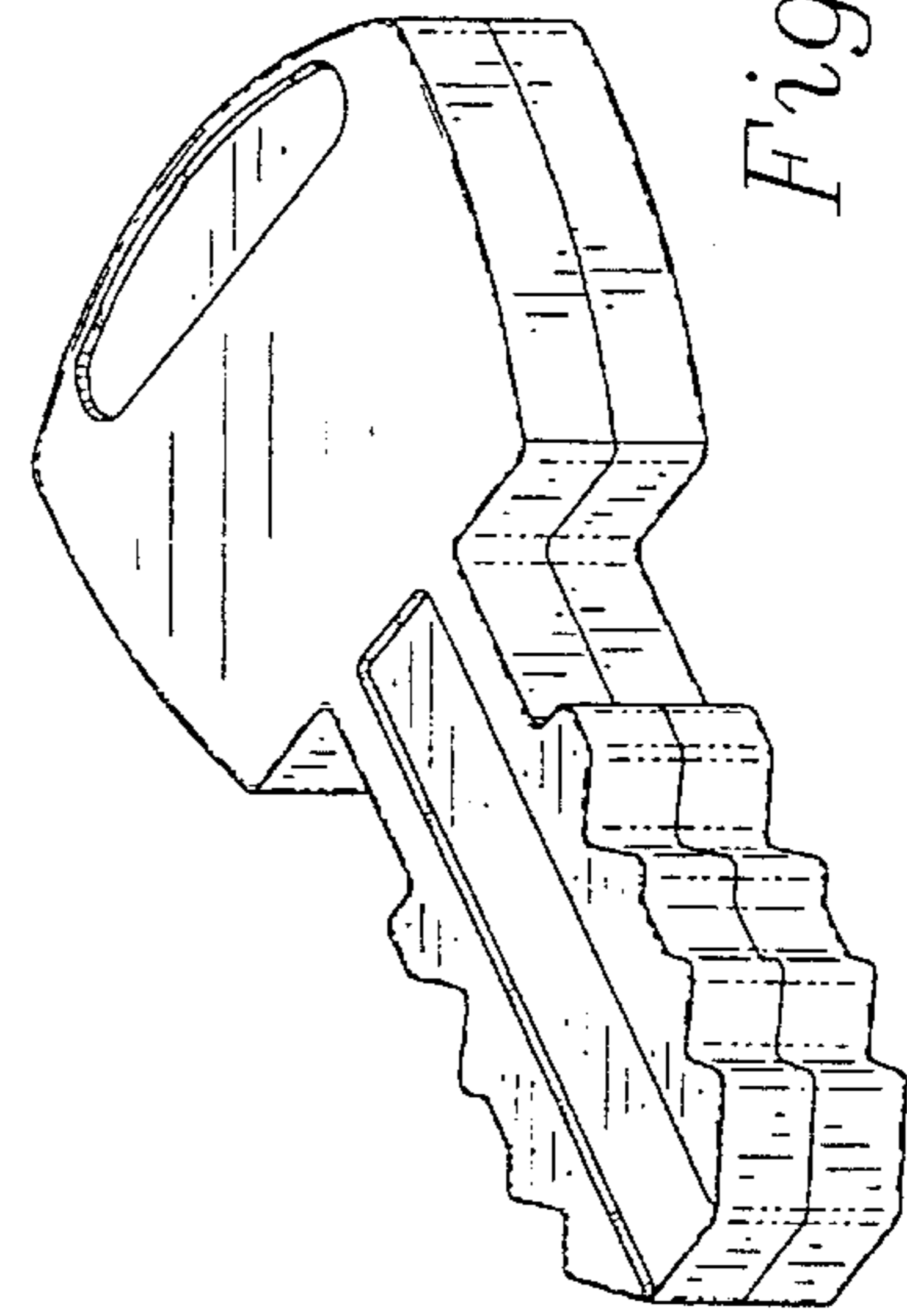


Fig. 5.

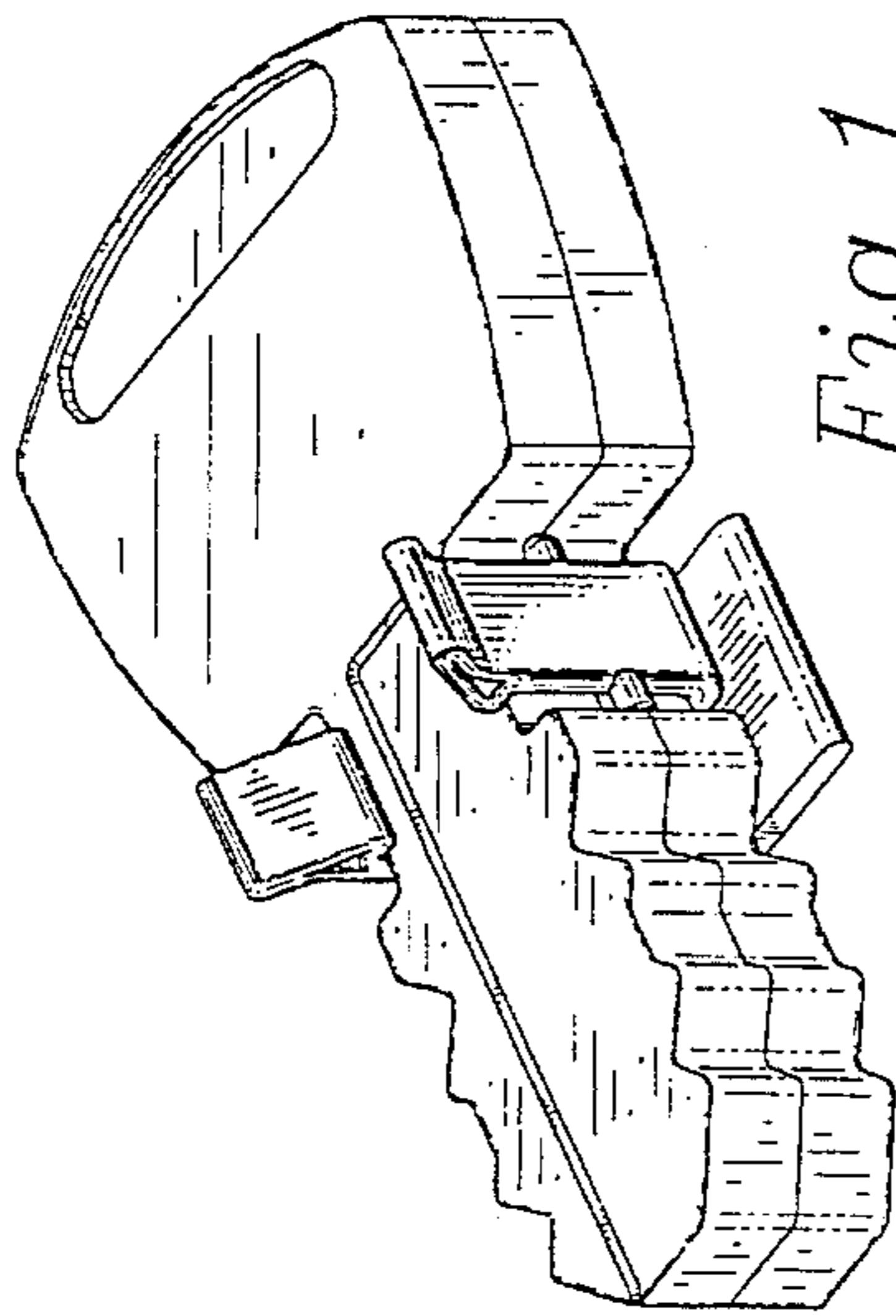


Fig. 1.

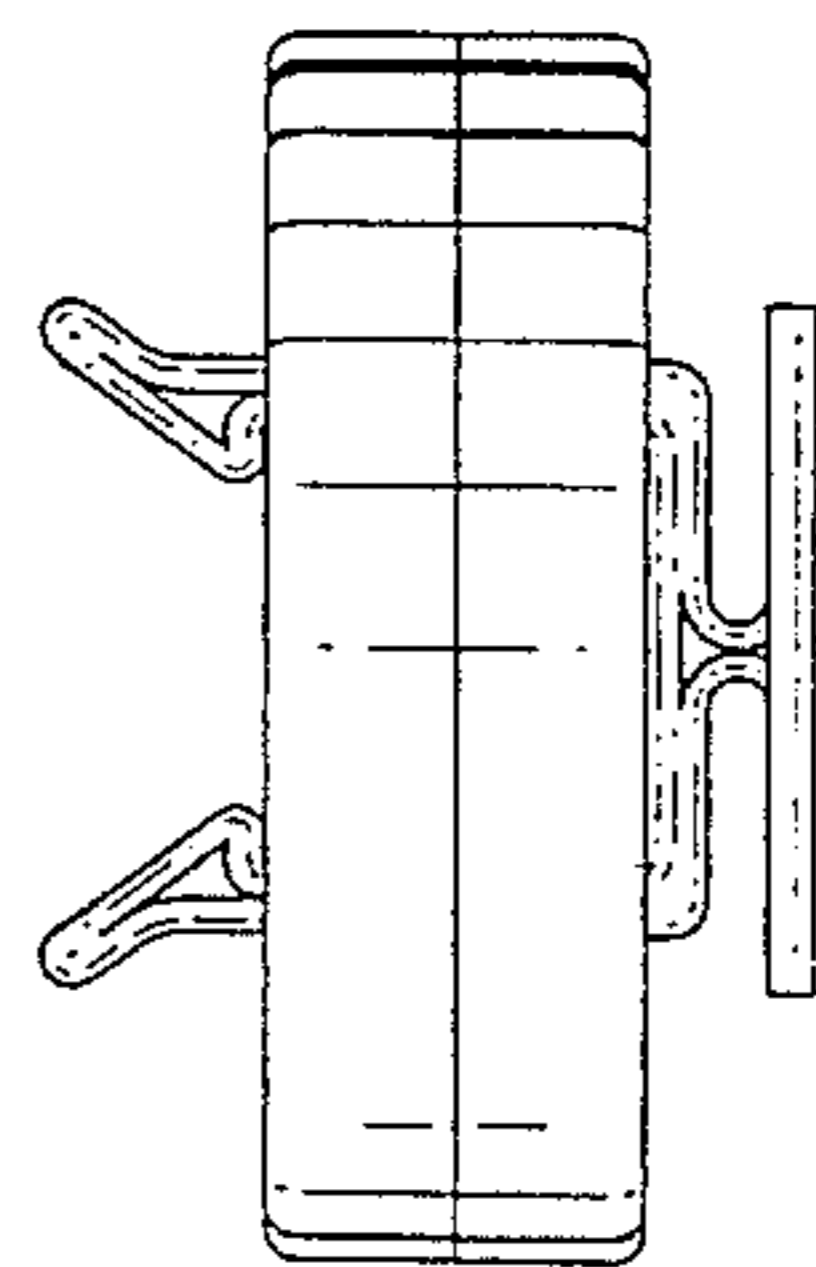


Fig. 4.

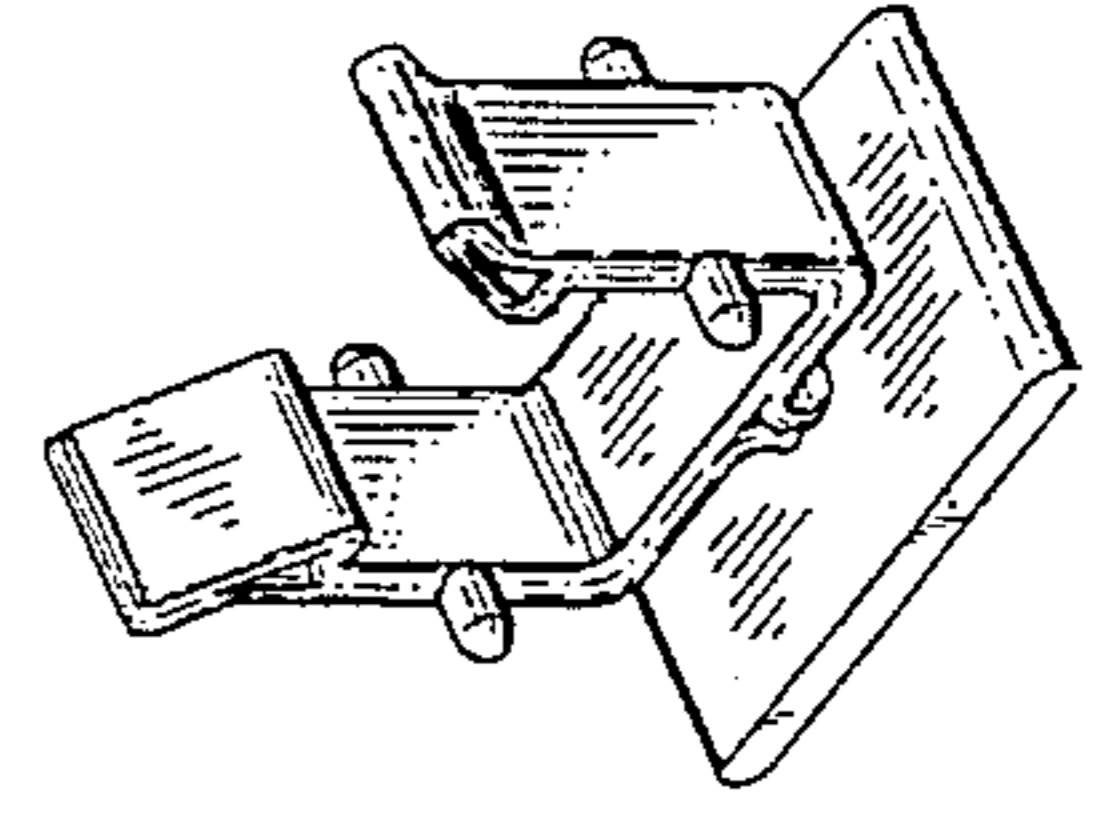


Fig. 6.