



US00D374762S

# United States Patent [19] Grant

[11] Patent Number: **Des. 374,762**

[45] Date of Patent: **\*\*Oct. 22, 1996**

[54] **GOLF SPIKE**

4,922,636	5/1990	Chen .....	36/134 X
5,351,422	10/1994	Fitzgerald .....	36/134
5,410,823	5/1995	Iyoob .....	36/134 X

[76] Inventor: **David F. Grant**, Suite 1D, 215 1st Ave.  
NE., Calgary, Alberta, Canada, T2E  
2W8

*Primary Examiner*—Doris V. Coles

[\*\*] Term: **14 Years**

### [57] CLAIM

[21] Appl. No.: **43,160**

The ornamental design for an golf spike, as shown and described.

[22] Filed: **Aug. 28, 1995**

### DESCRIPTION

[52] U.S. Cl. .... **D2/962**

[58] Field of Search ..... D2/962, 906; 36/62,  
36/67 C, 67 A, 67 B, 67 D, 59 A, 134,  
127

FIG. 1 is a front elevational view of the golf spike showing my new design;

FIG. 2 is a rear elevational view thereof;

FIG. 3 is a right view thereof;

FIG. 4 is a left view thereof;

FIG. 5 is a top plan view thereof;

FIG. 6 is a bottom plan view thereof; and,

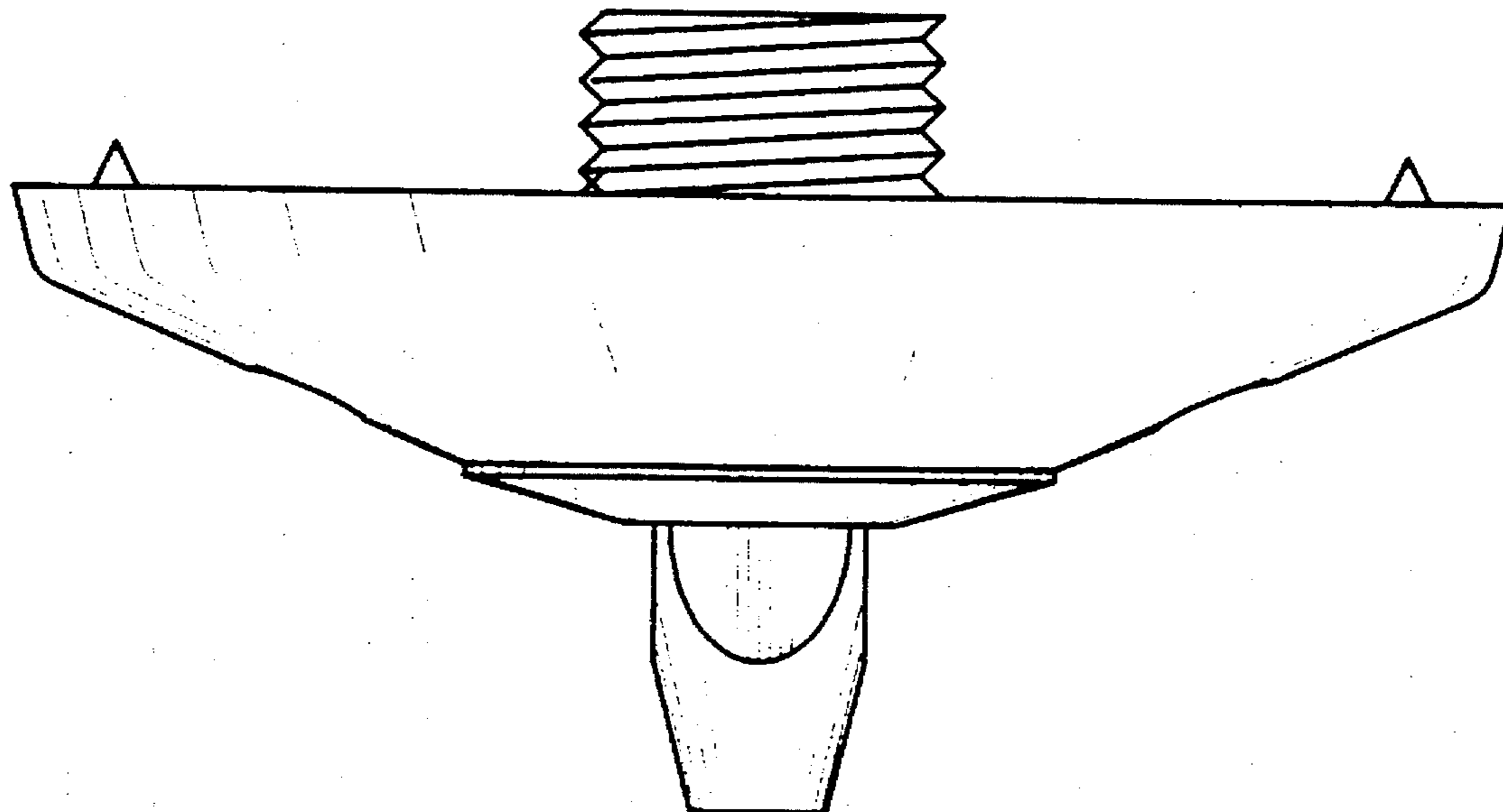
FIG. 7 is a perspective view thereof of the spike portion shown removed from the base plate.

### [56] References Cited

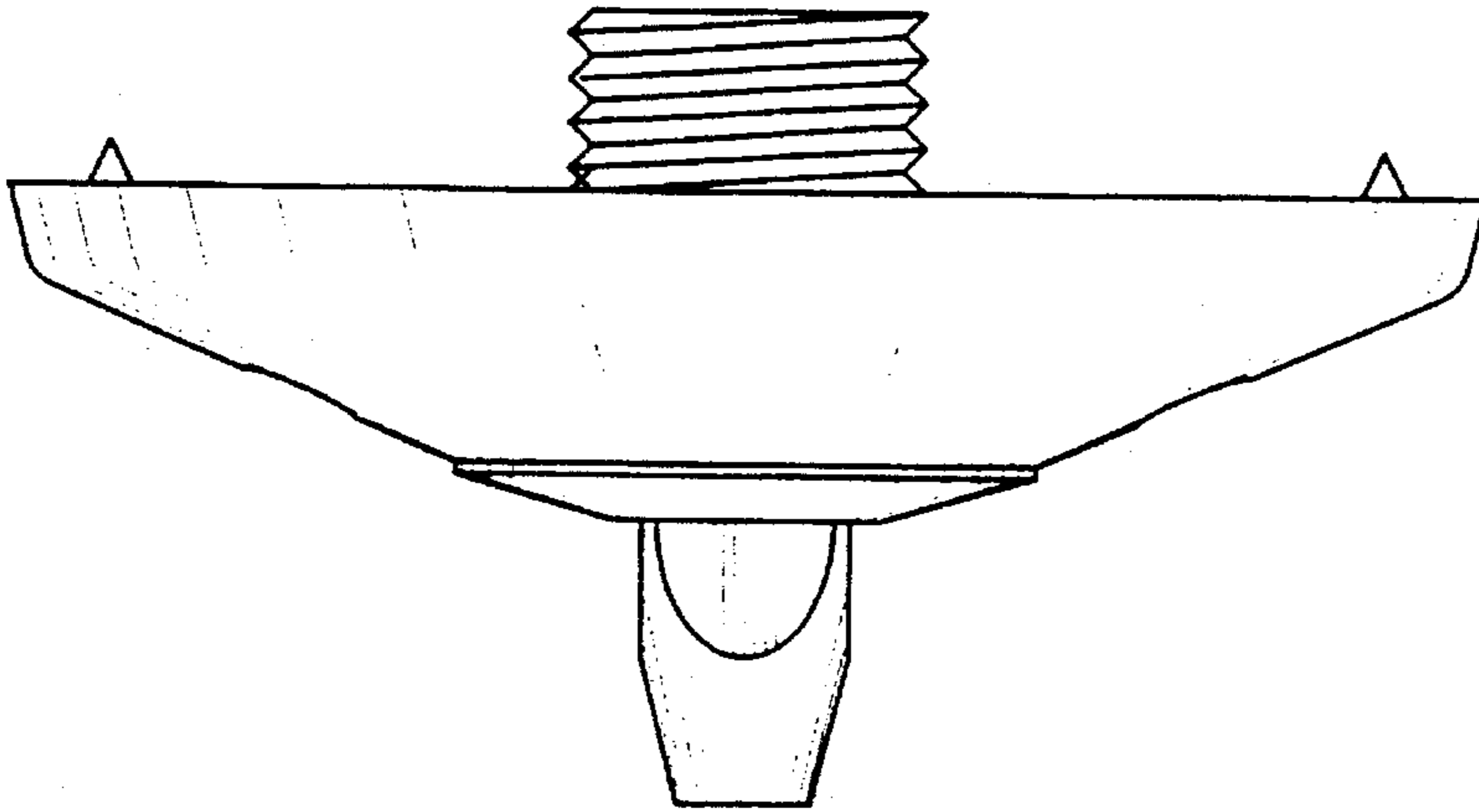
#### U.S. PATENT DOCUMENTS

2,509,980	5/1950	McCallum .....	36/62
3,766,670	10/1973	Nakajima .....	36/67 B
4,193,216	3/1980	Ueda .....	36/67 D
4,783,913	11/1988	Aoyama .....	36/67 D X

**1 Claim, 4 Drawing Sheets**



*FIG. 1*



*FIG. 2*

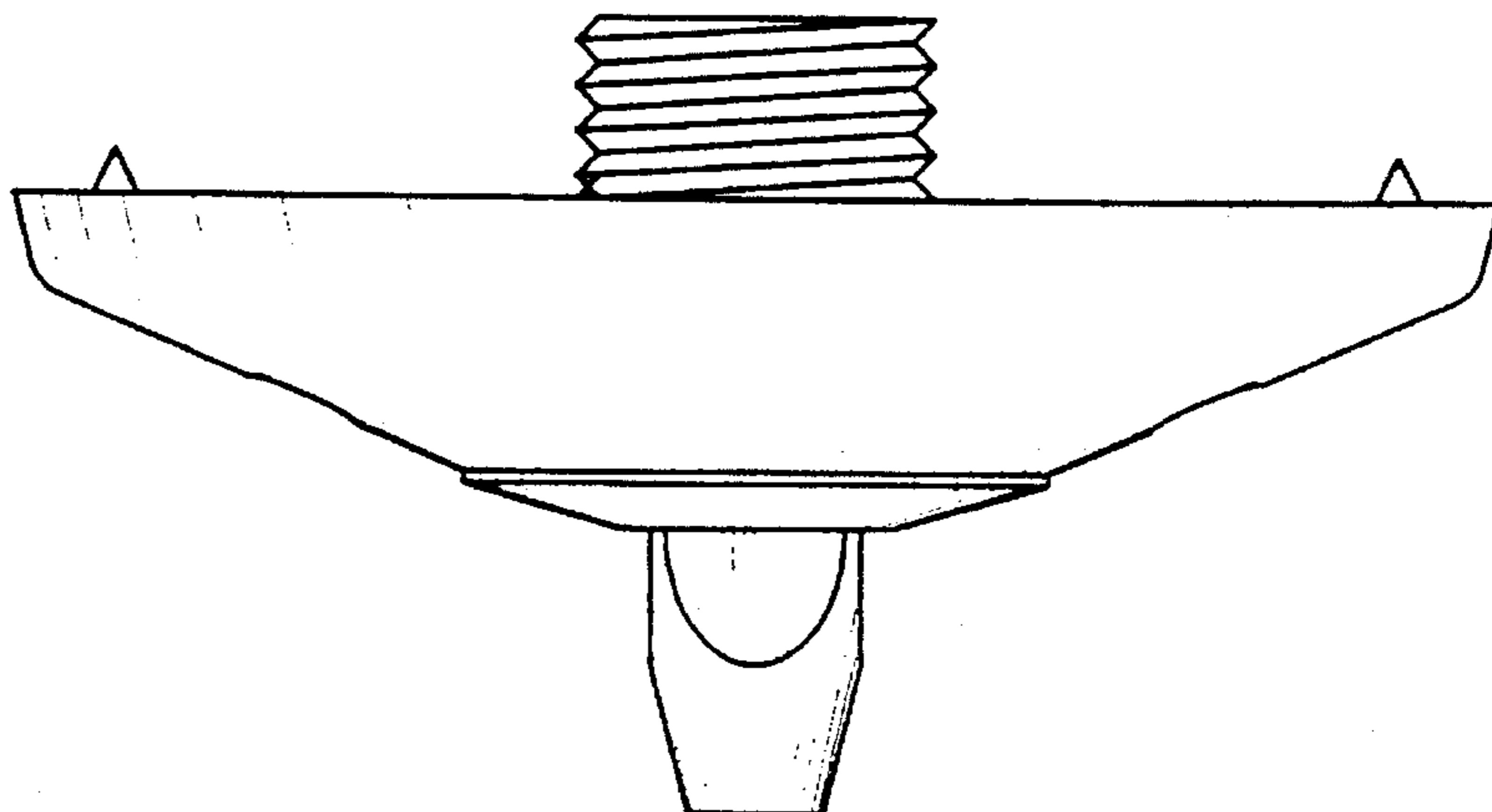


FIG. 3

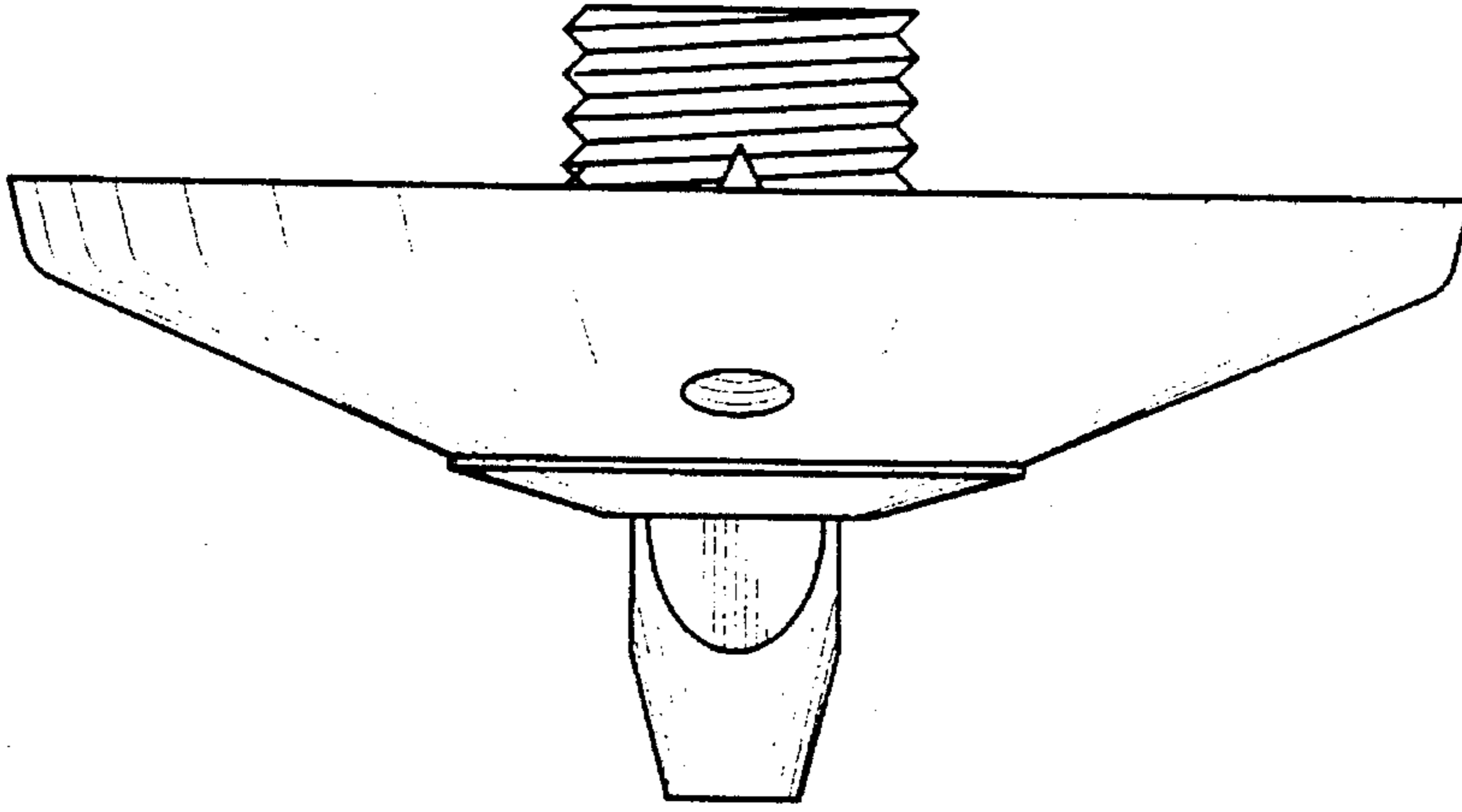


FIG. 4

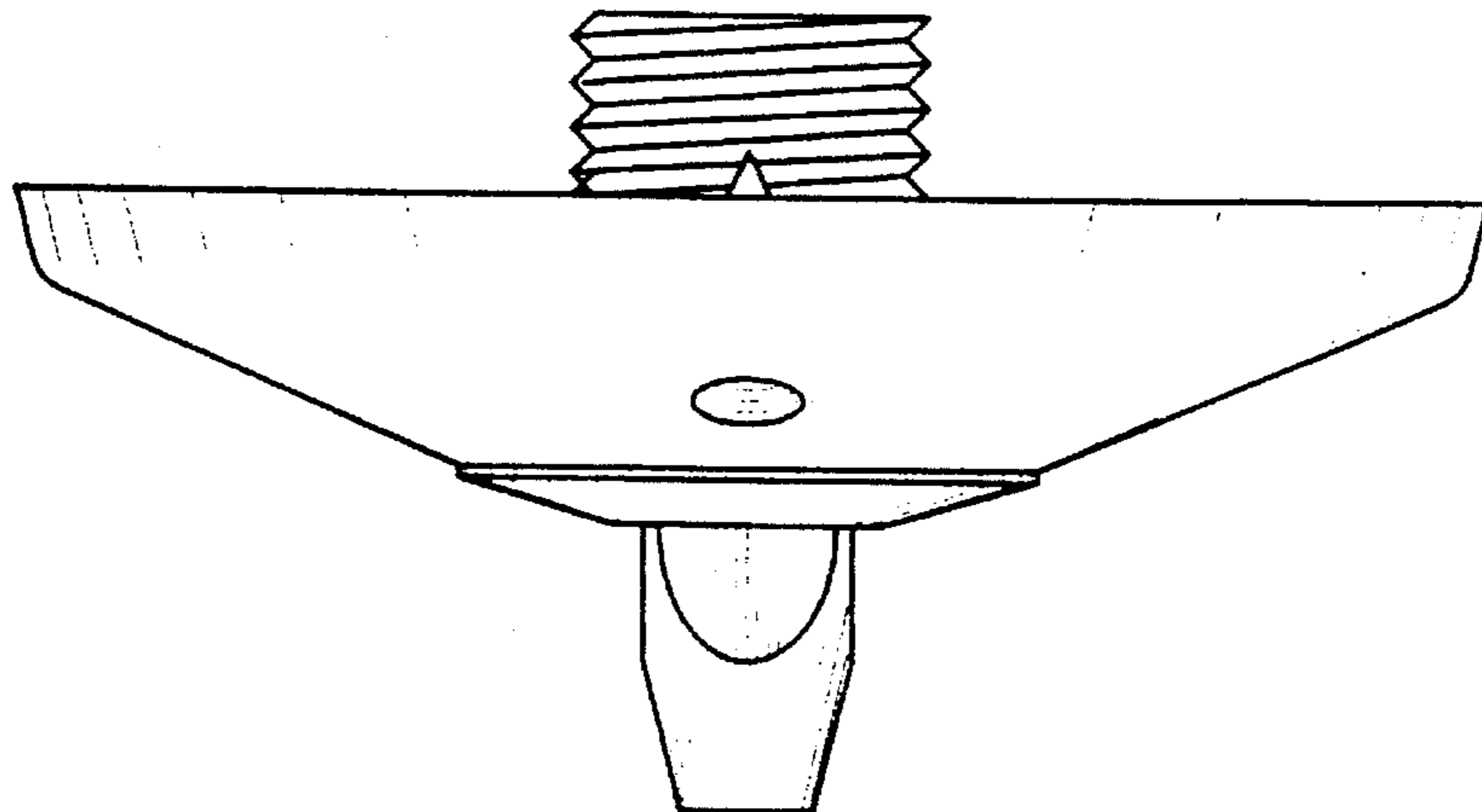


FIG. 5

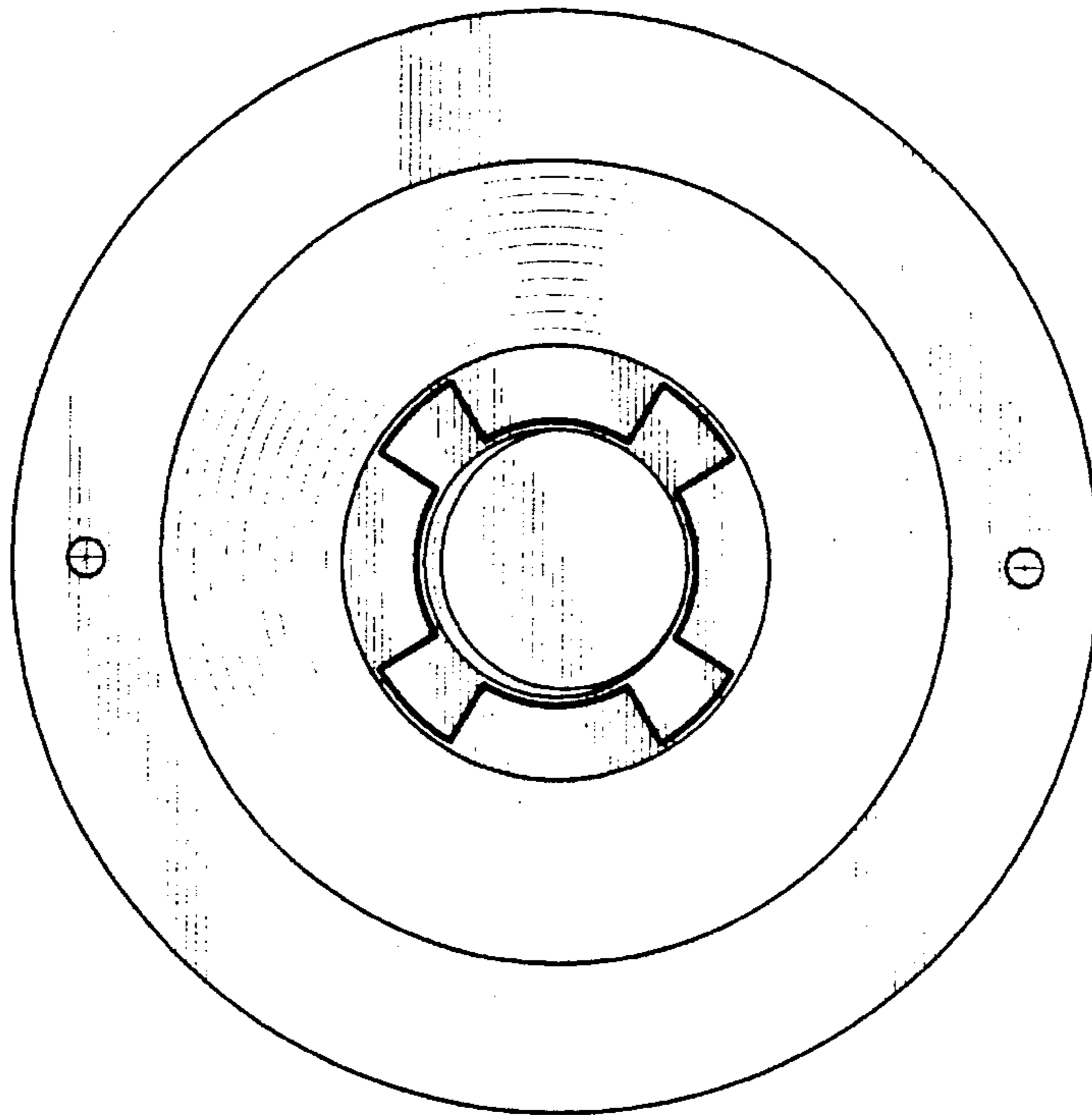


FIG. 6

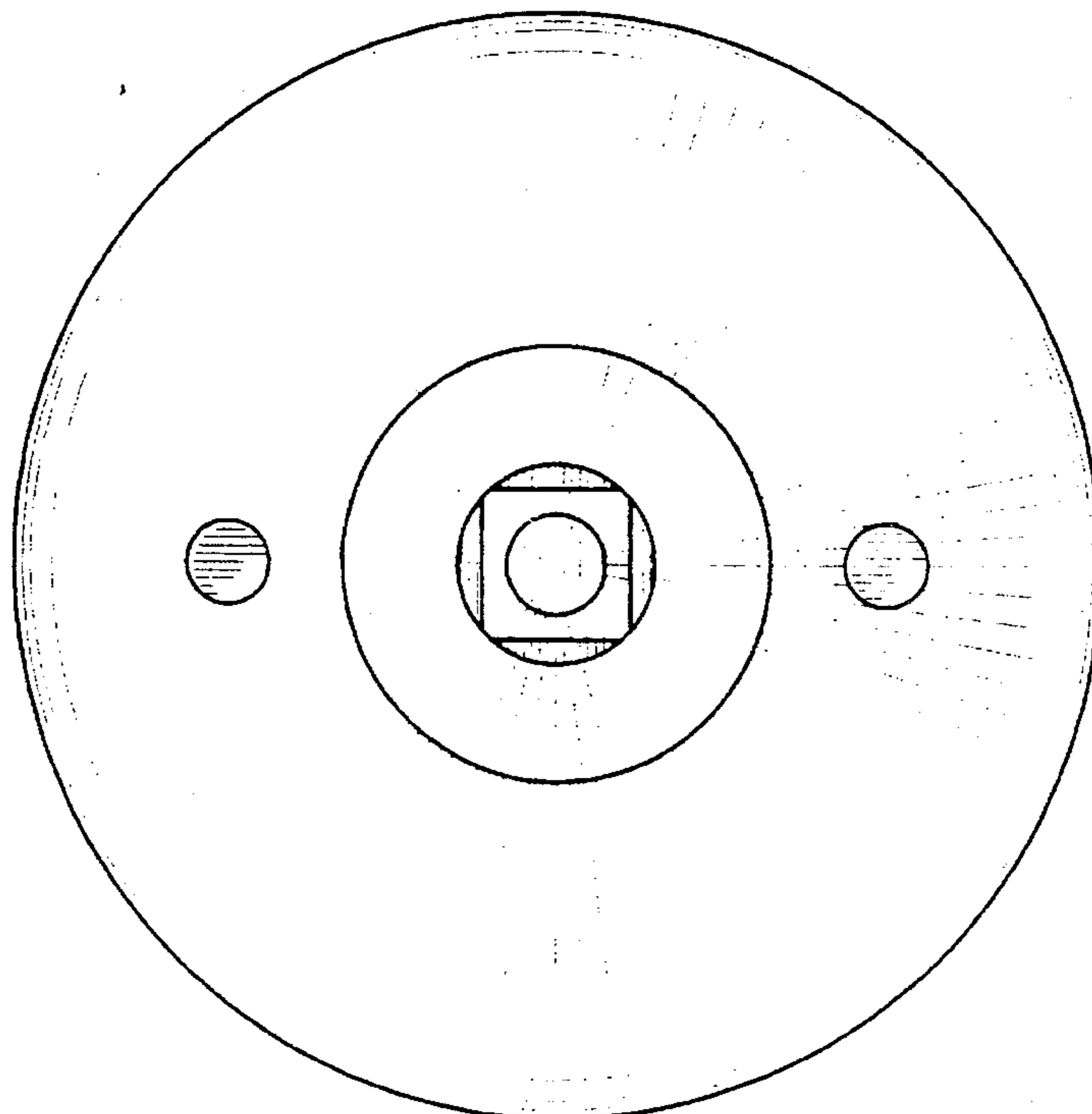


FIG. 7

