



US00D374752S

United States Patent [19]

[11] Patent Number: **Des. 374,752**

Lee et al.

[45] Date of Patent: ****Oct. 15, 1996**

[54] **FORKLIFT TRUCK**

D. 353,931 12/1994 Kobayakawa et al. D34/34

D. 358,013 5/1995 Heiler D34/34

4,207,967 6/1980 Stedman 187/222

[75] Inventors: **Min K. Lee**, Seoul; **Sang K. Park**,
Incheon, both of Rep. of Korea

Primary Examiner—A. Hugo Word

Assistant Examiner—Robin V. Taylor

Attorney, Agent, or Firm—Lowe, Price, LeBlanc & Becker

[73] Assignee: **Daewoo Heavy Industries Ltd.**,
Incheon, Rep. of Korea

[**] Term: **14 Years**

[57] CLAIM

The ornamental design for a forklift truck, as shown.

[21] Appl. No.: **45,593**

DESCRIPTION

[22] Filed: **Oct. 24, 1995**

[52] U.S. Cl. **D34/34**

FIG. 1 is a right side elevational view of a forklift truck;

FIG. 2 is a left side elevational view thereof;

[58] Field of Search D34/28, 34, 37;
180/89.12, 89.13, 89.17; 187/222; 414/572,
592, 785

FIG. 3 is a top plan view thereof;

FIG. 4 is a bottom plan view thereof;

FIG. 5 is a front elevational view thereof; and,

FIG. 6 is a rear elevational view thereof.

[56] References Cited

U.S. PATENT DOCUMENTS

D. 264,201 5/1982 Brown et al. D34/34

1 Claim, 6 Drawing Sheets

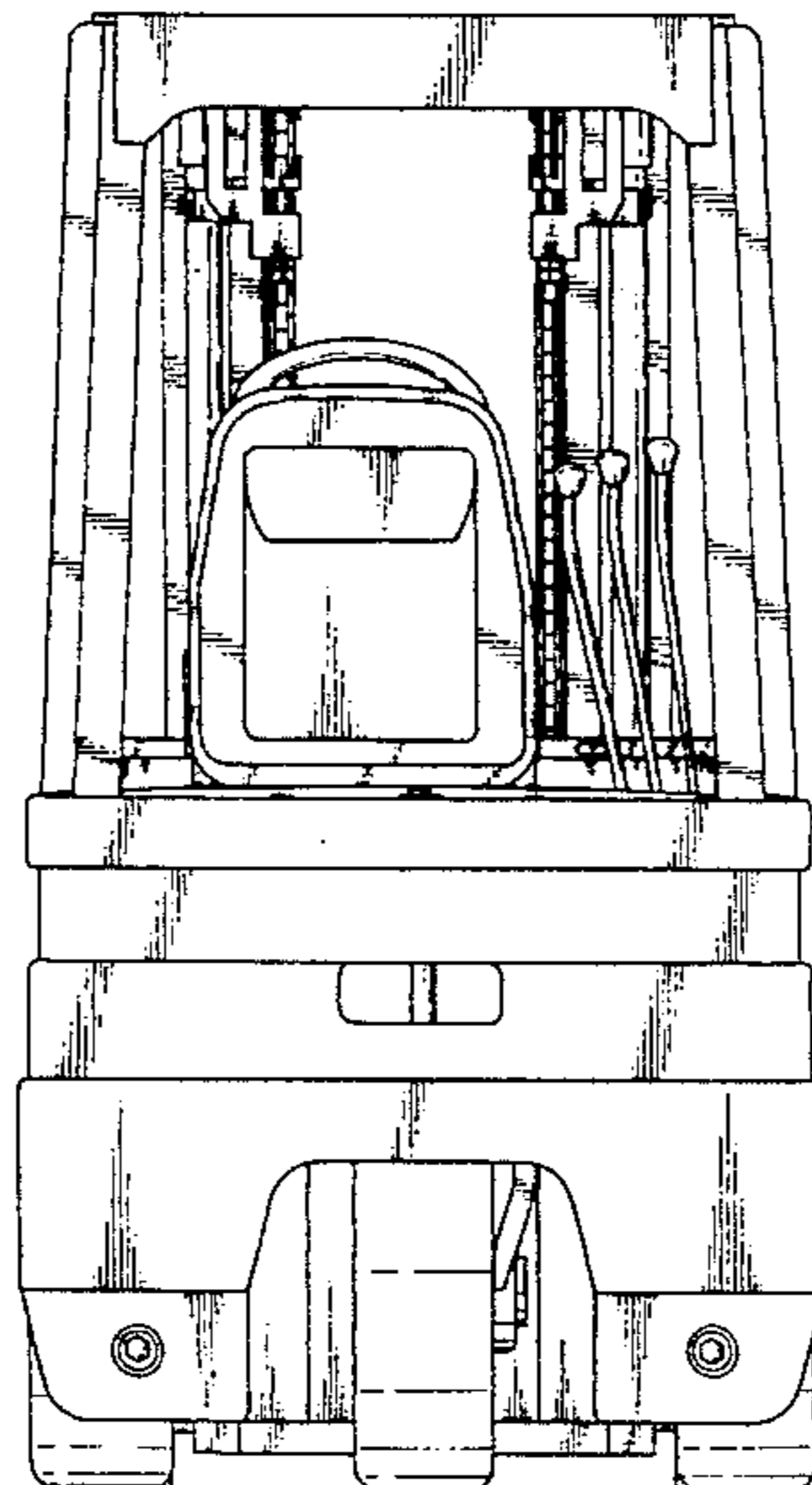
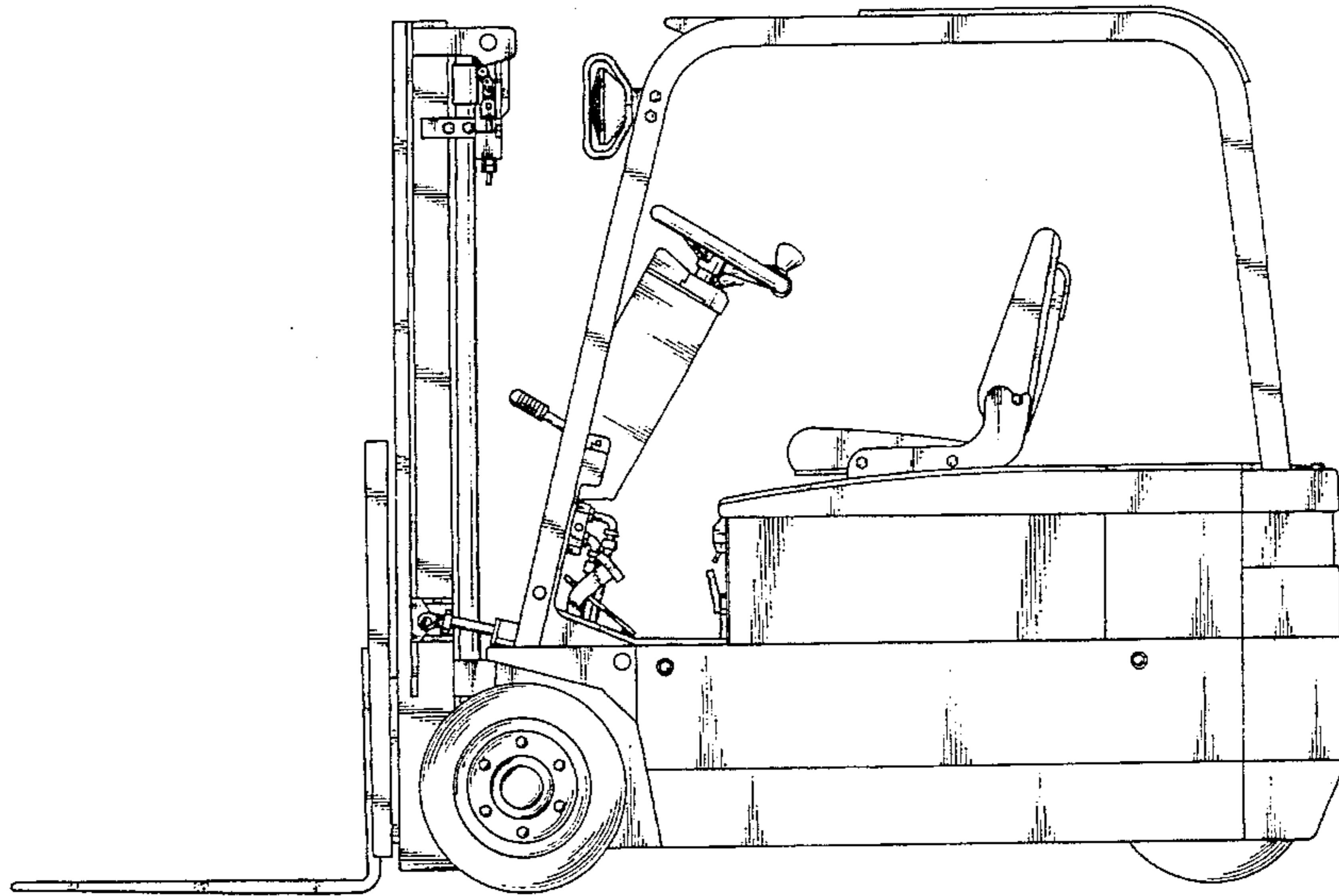


FIG. 1

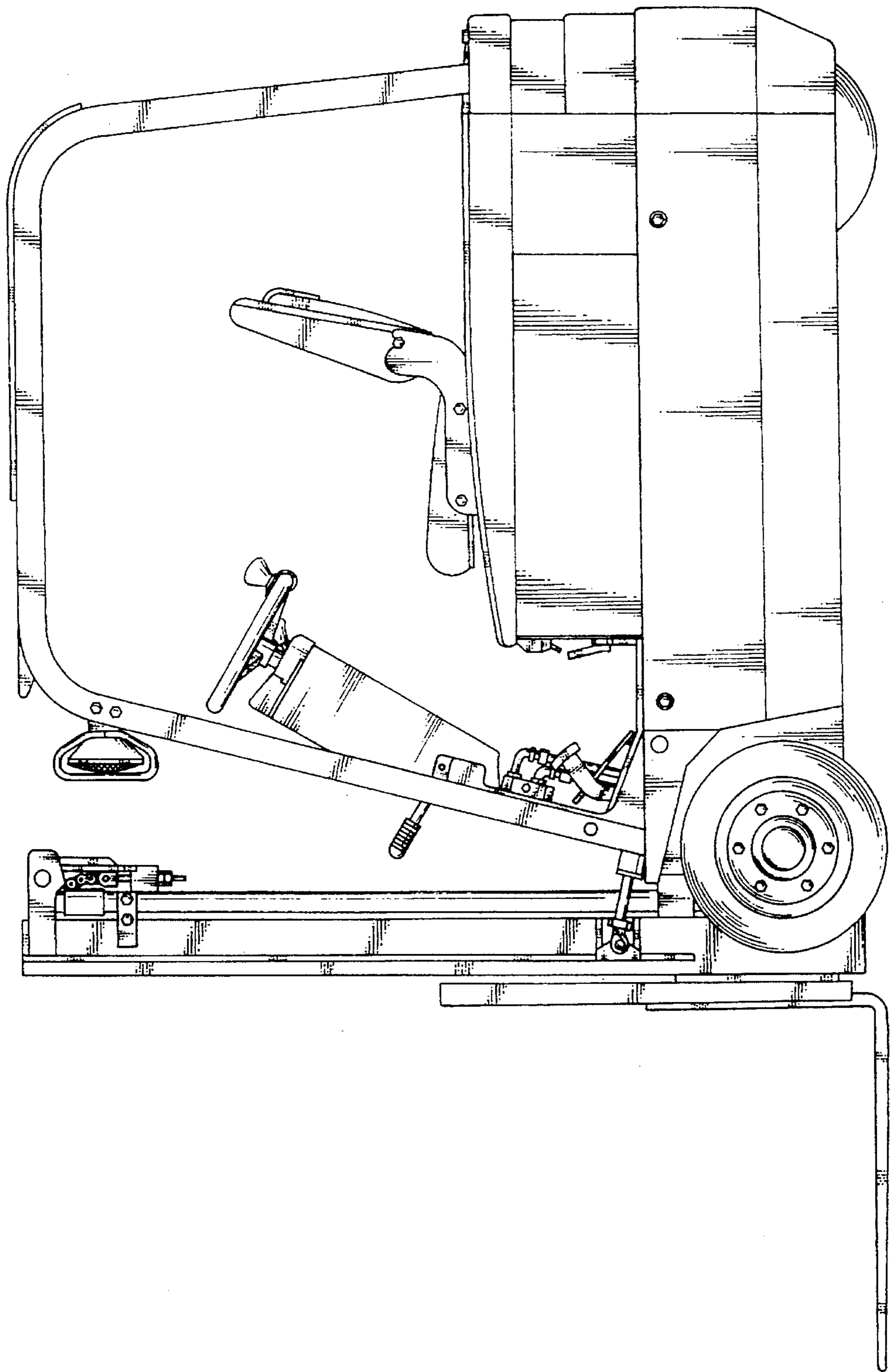


FIG. 2

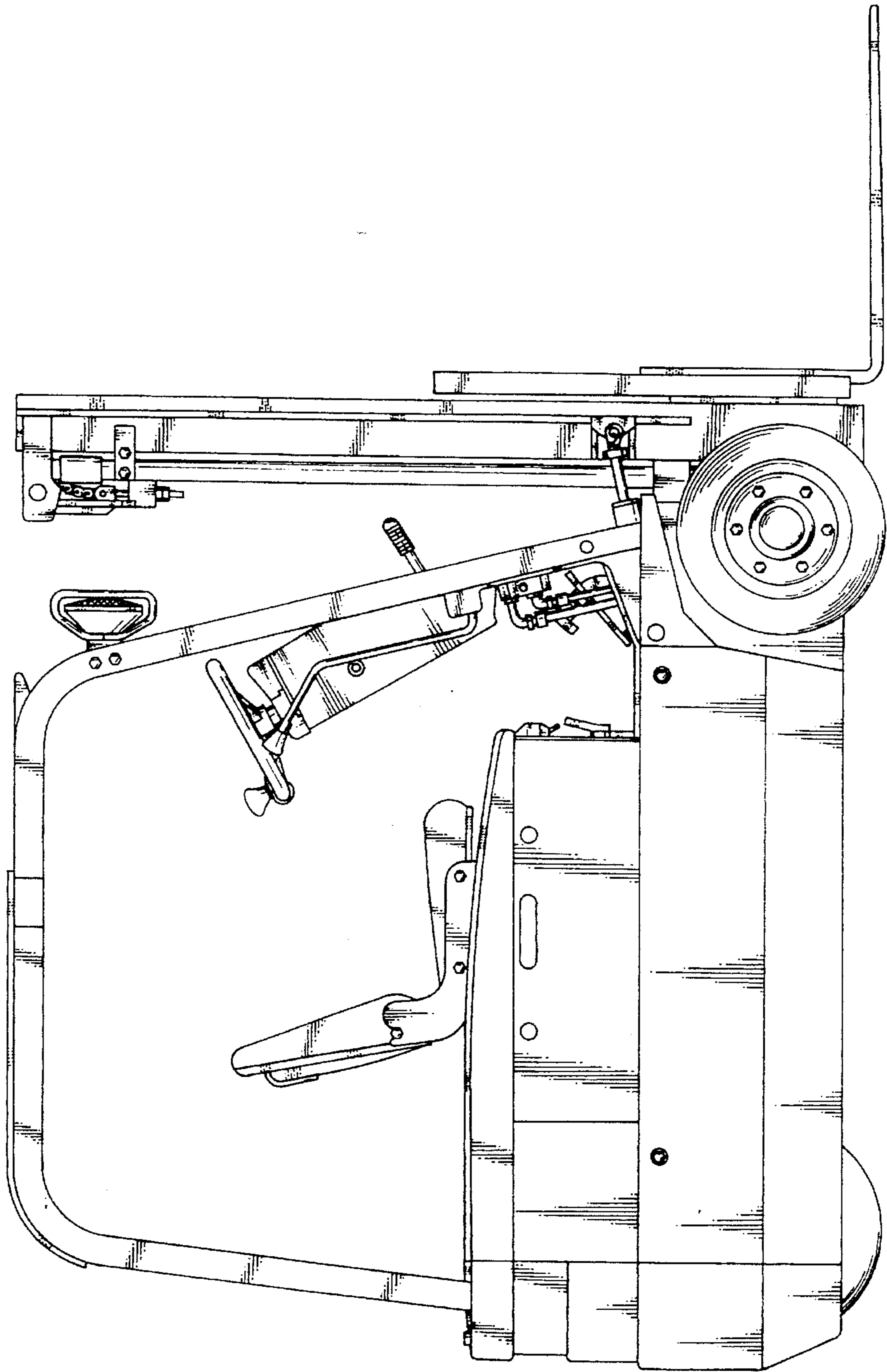


FIG. 3

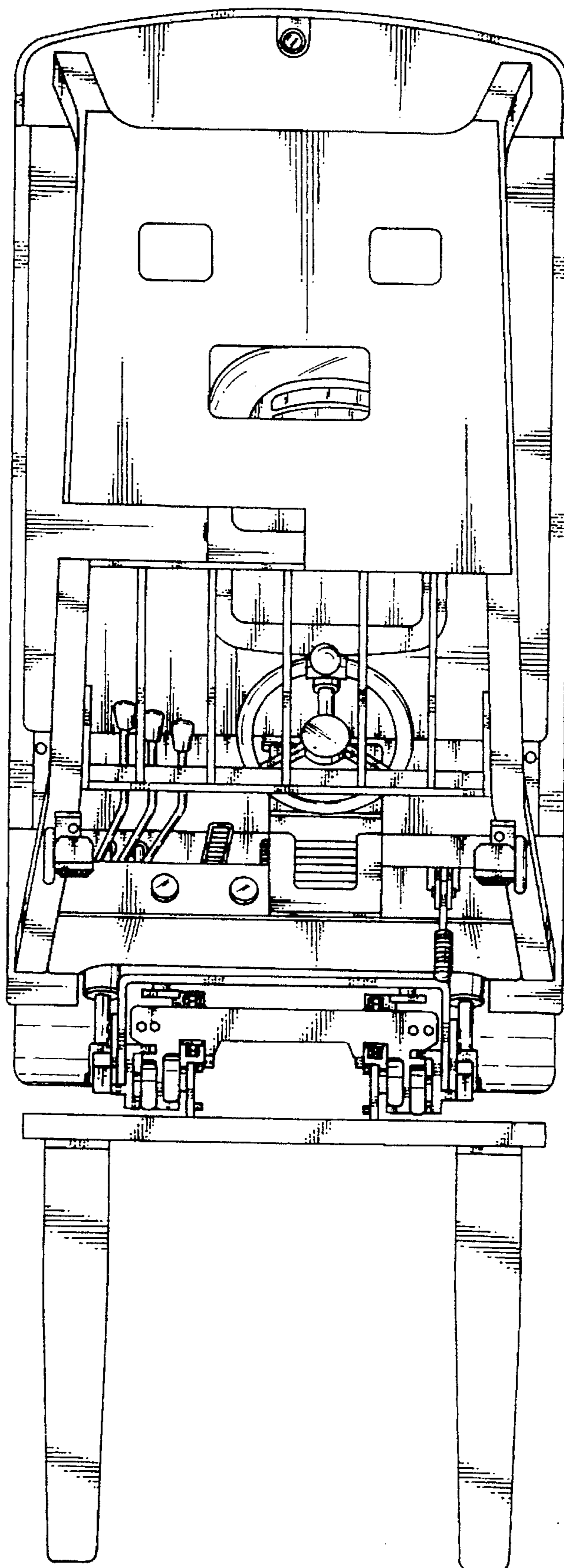


FIG. 4

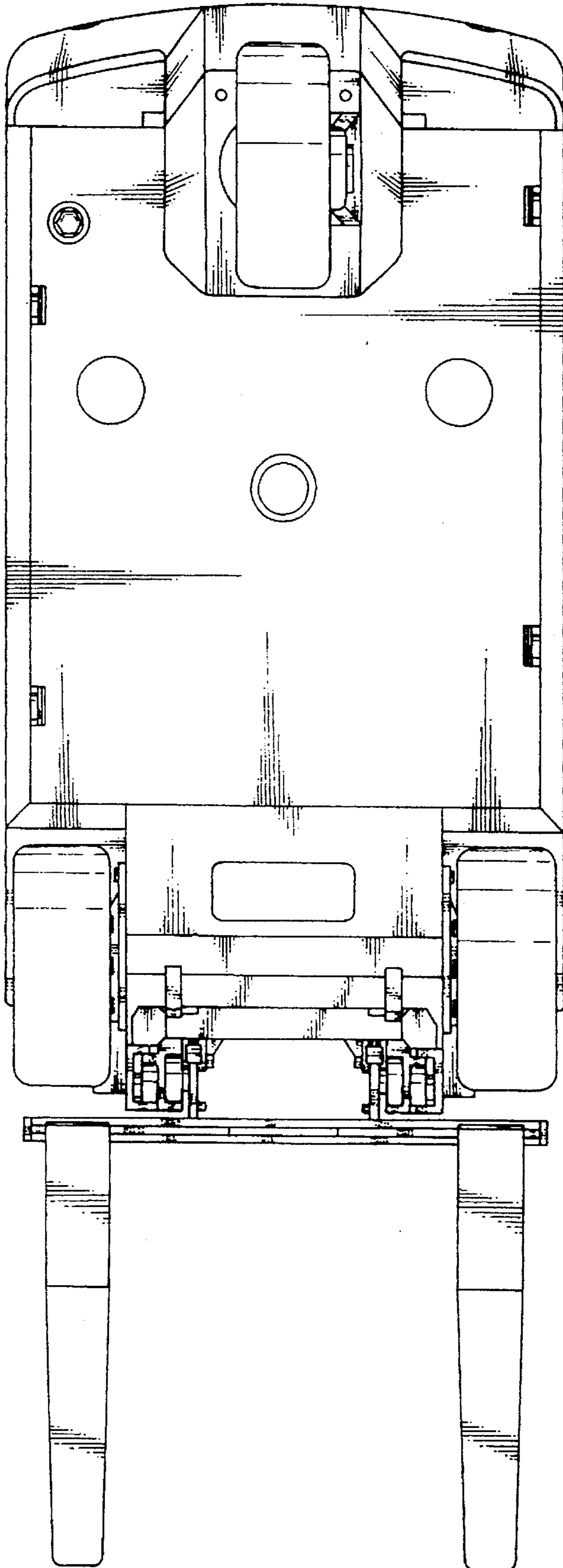


FIG. 5

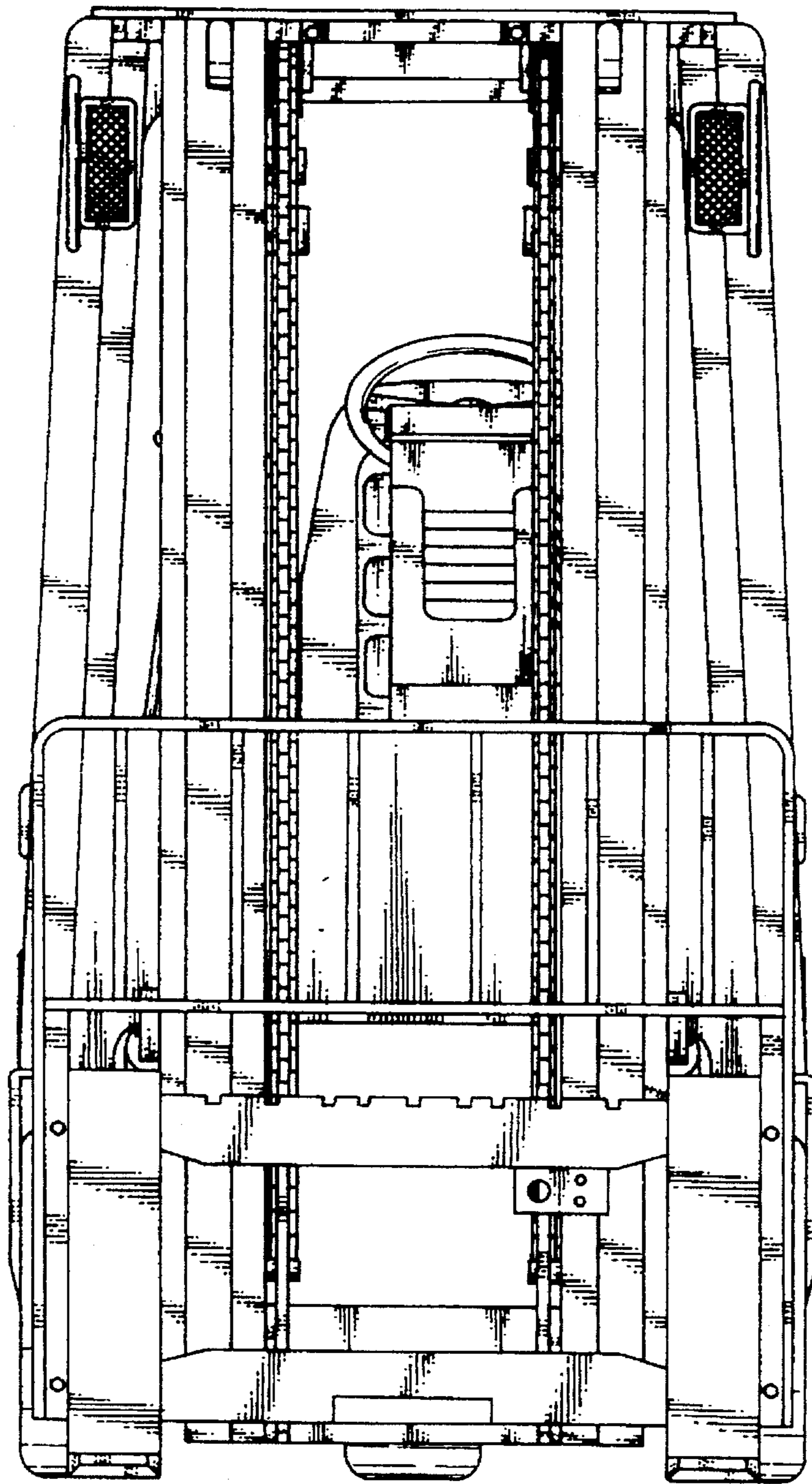


FIG. 6

