



US00D374750S

United States Patent [19]

[11] Patent Number: **Des. 374,750**

Vanderhoef et al.

[45] Date of Patent: ****Oct. 15, 1996**

[54] SPONGE MOP HEAD

1,919,471	7/1933	Kootz	15/229.6	X
2,212,172	8/1940	Veeck	15/228	
3,224,025	12/1965	Altrock	15/119.2	
5,323,506	6/1994	Babitch	15/228	X

[75] Inventors: **John P. Vanderhoef**, Cummaquid;
Edward St. Yves, Yarmouthport, both
of Mass.

Primary Examiner—A. Hugo Word
Assistant Examiner—Cynthia E. Ramirez
Attorney, Agent, or Firm—Henry D. Pahl, Jr.; John L. Welch

[73] Assignee: **Kellogg Brush Manufacturing Co.**,
Easthampton, Mass.

[57] **CLAIM**

[**] Term: **14 Years**

The ornamental design for a sponge mop head, as shown and described.

[21] Appl. No.: **45,665**

DESCRIPTION

[22] Filed: **Oct. 26, 1995**

[52] U.S. Cl. **D32/50**

[58] **Field of Search** D32/50, 51, 52;
15/115, 119.2, 116.2, 118, 229.3, 229.6,
229.7, 229.8, 228; 401/203, 204, 205, 137,
138, 139

FIG. 1 is a top perspective view of the sponge mop head according to our new design;
FIG. 2 is a top plan view thereof;
FIG. 3 is a bottom plan view thereof;
FIG. 4 is a front elevational view thereof;
FIG. 5 is a rear elevational view thereof; and,
FIG. 6 is a right side elevational view thereof. The left side elevational view is a mirror image thereof.

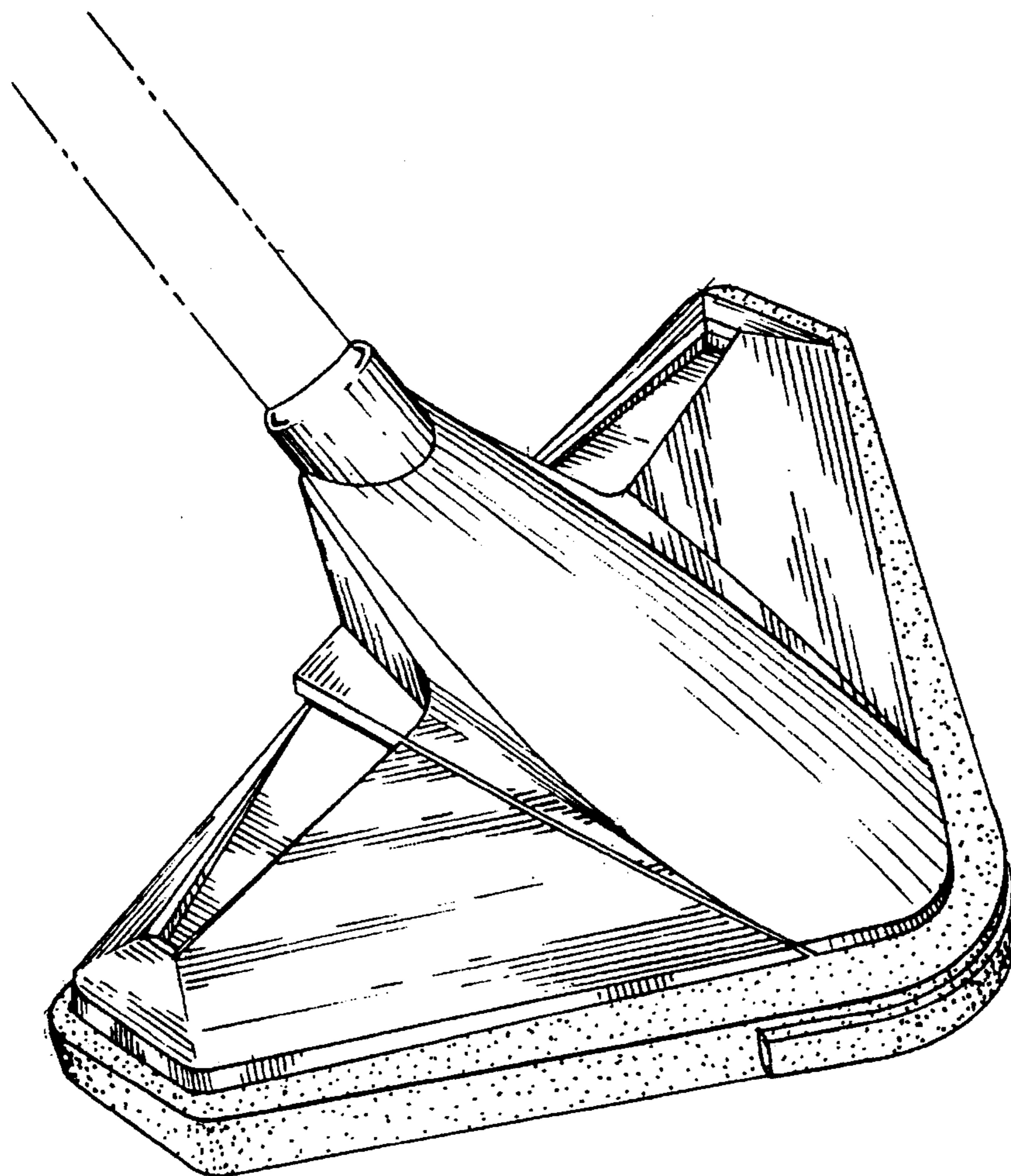
[56] **References Cited**

U.S. PATENT DOCUMENTS

D. 152,843	2/1949	Wagner	D32/50
D. 280,248	8/1985	Hanson, Jr.	D32/50
D. 315,642	3/1991	Furgale	D4/135
1,591,080	7/1926	Cole et al.	15/228

The broken lines represent, by way of illustration only, a mop handle extending from the sponge mop head, and form no part of the claimed design.

1 Claim, 6 Drawing Sheets



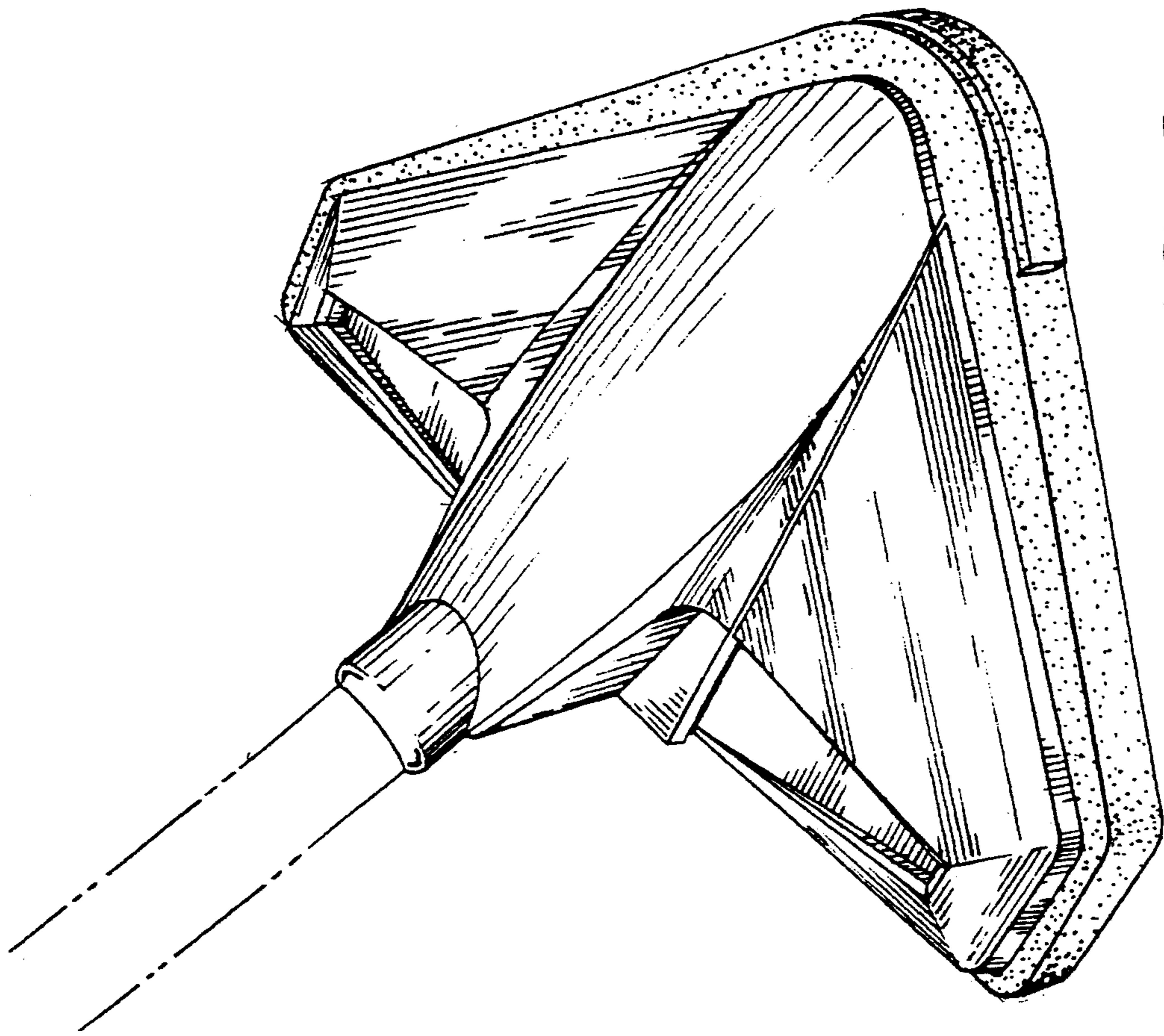


FIG. 1

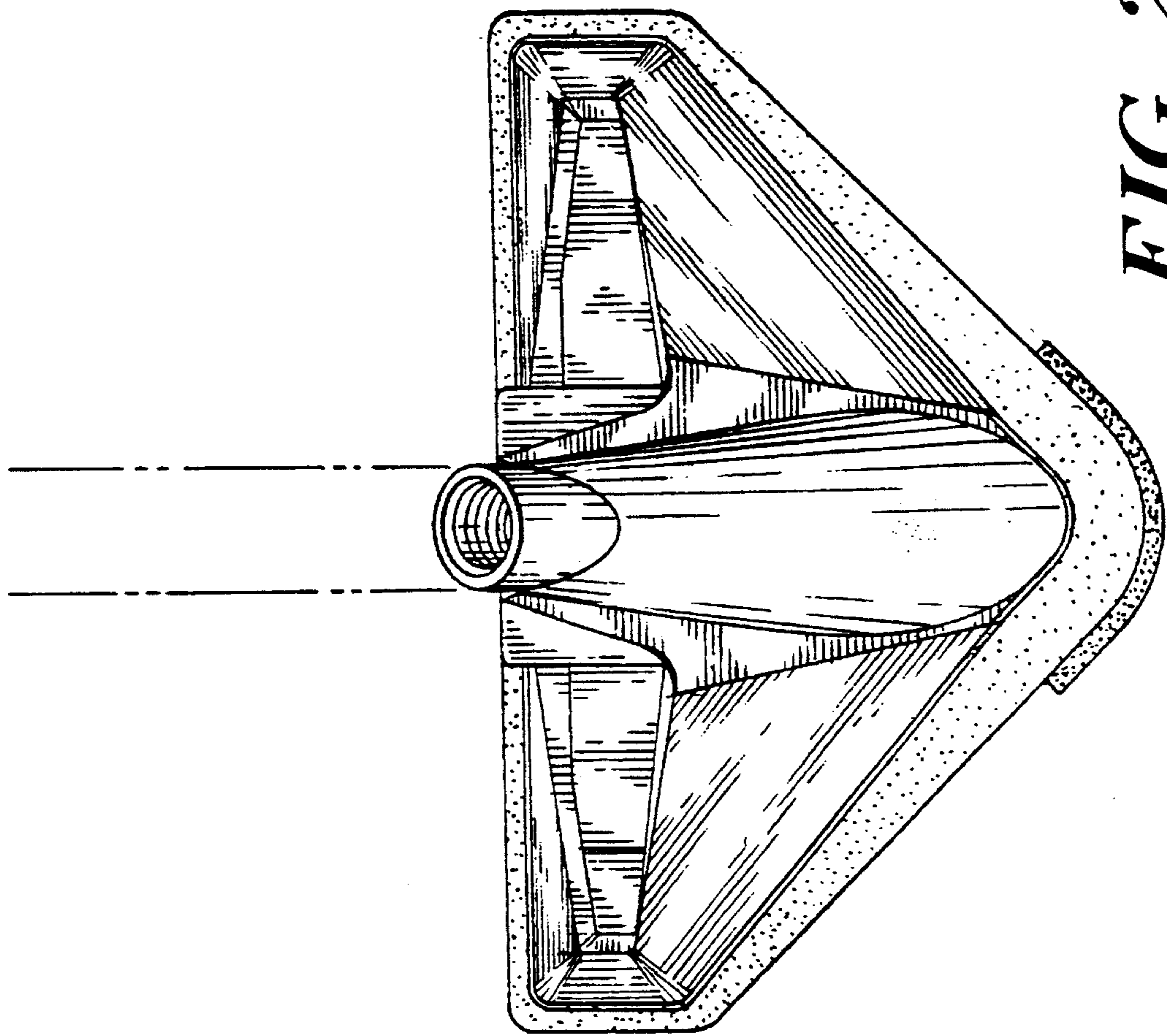


FIG. 2

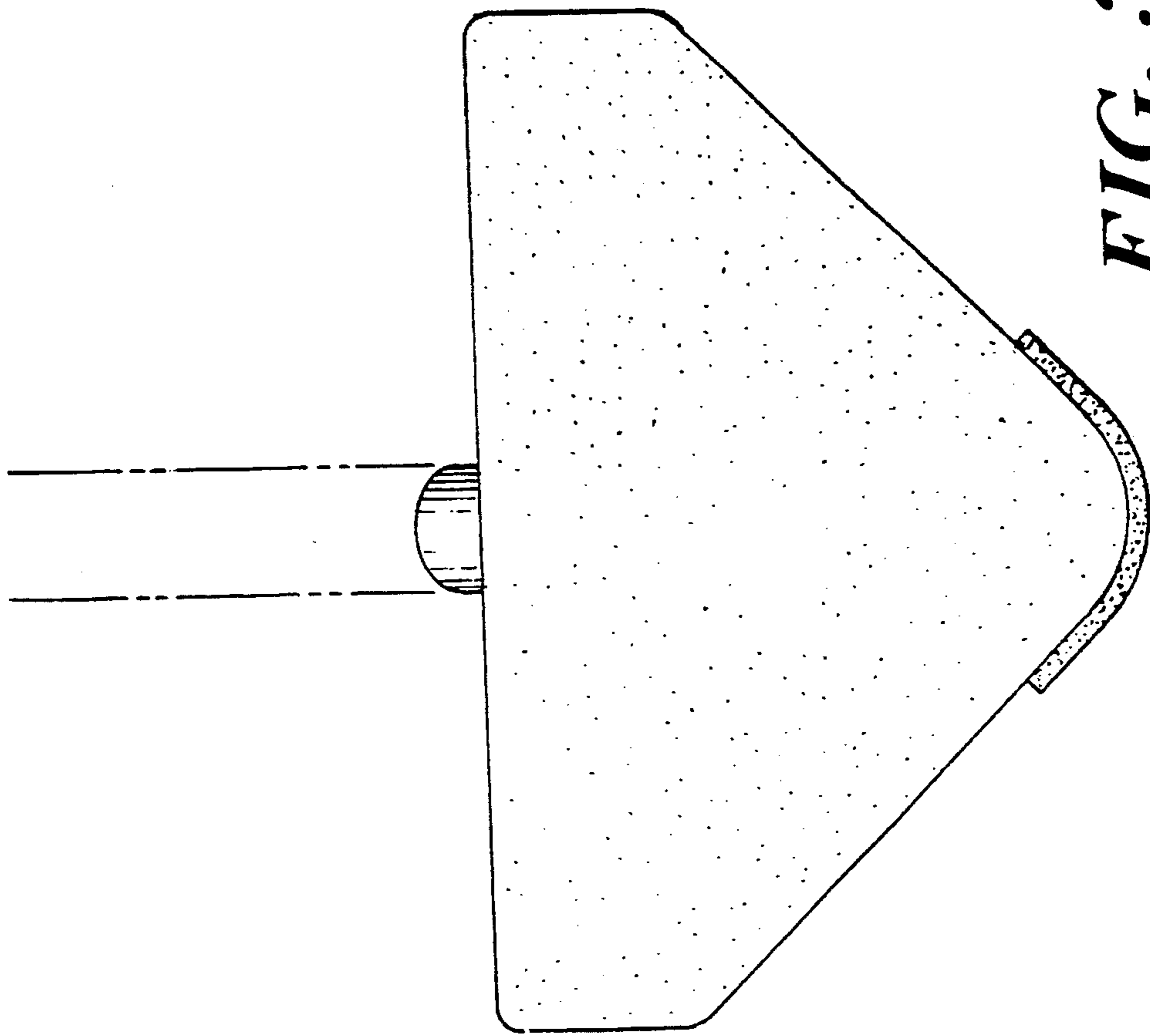


FIG. 3

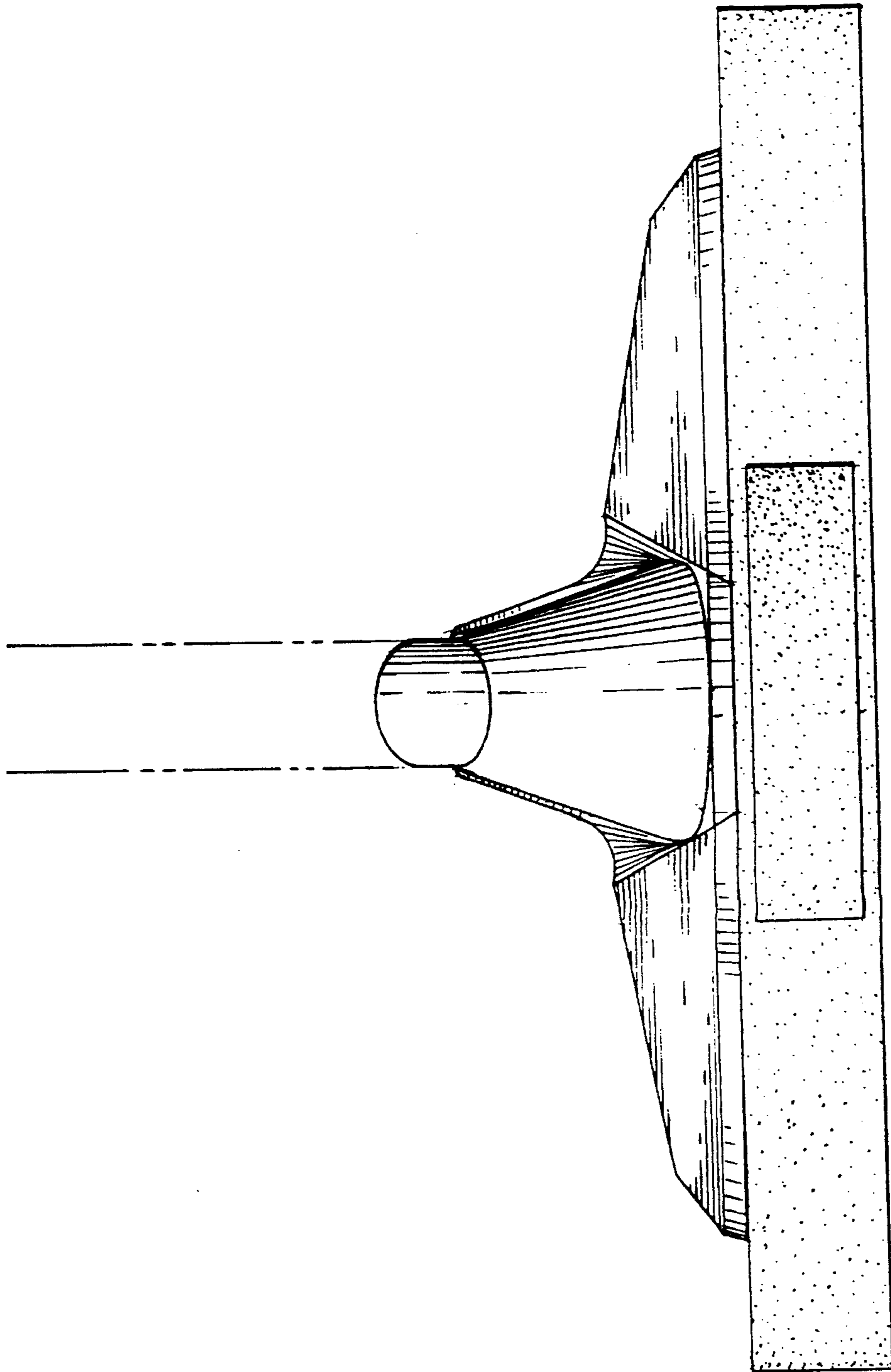


FIG. 4

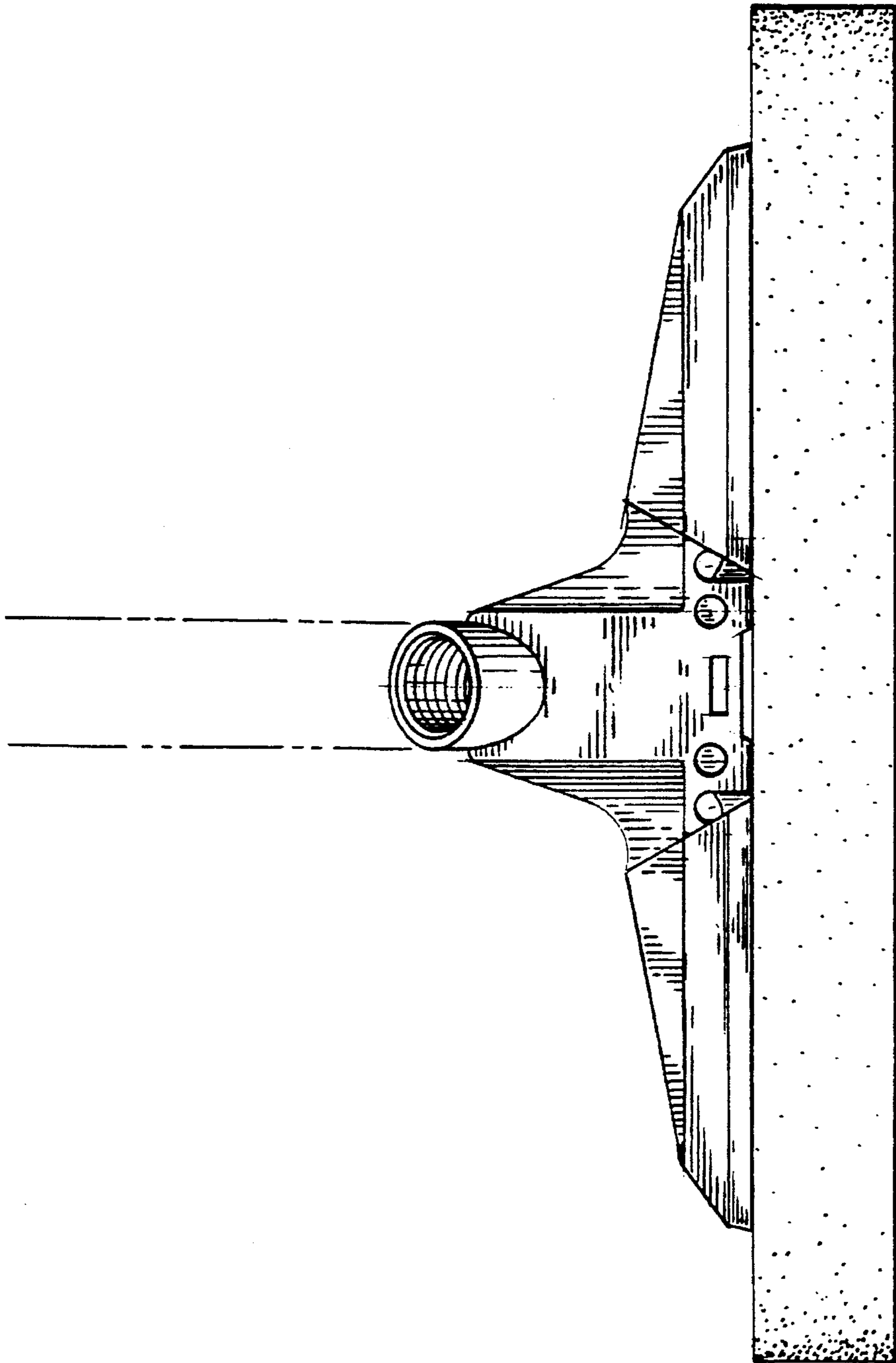


FIG. 5

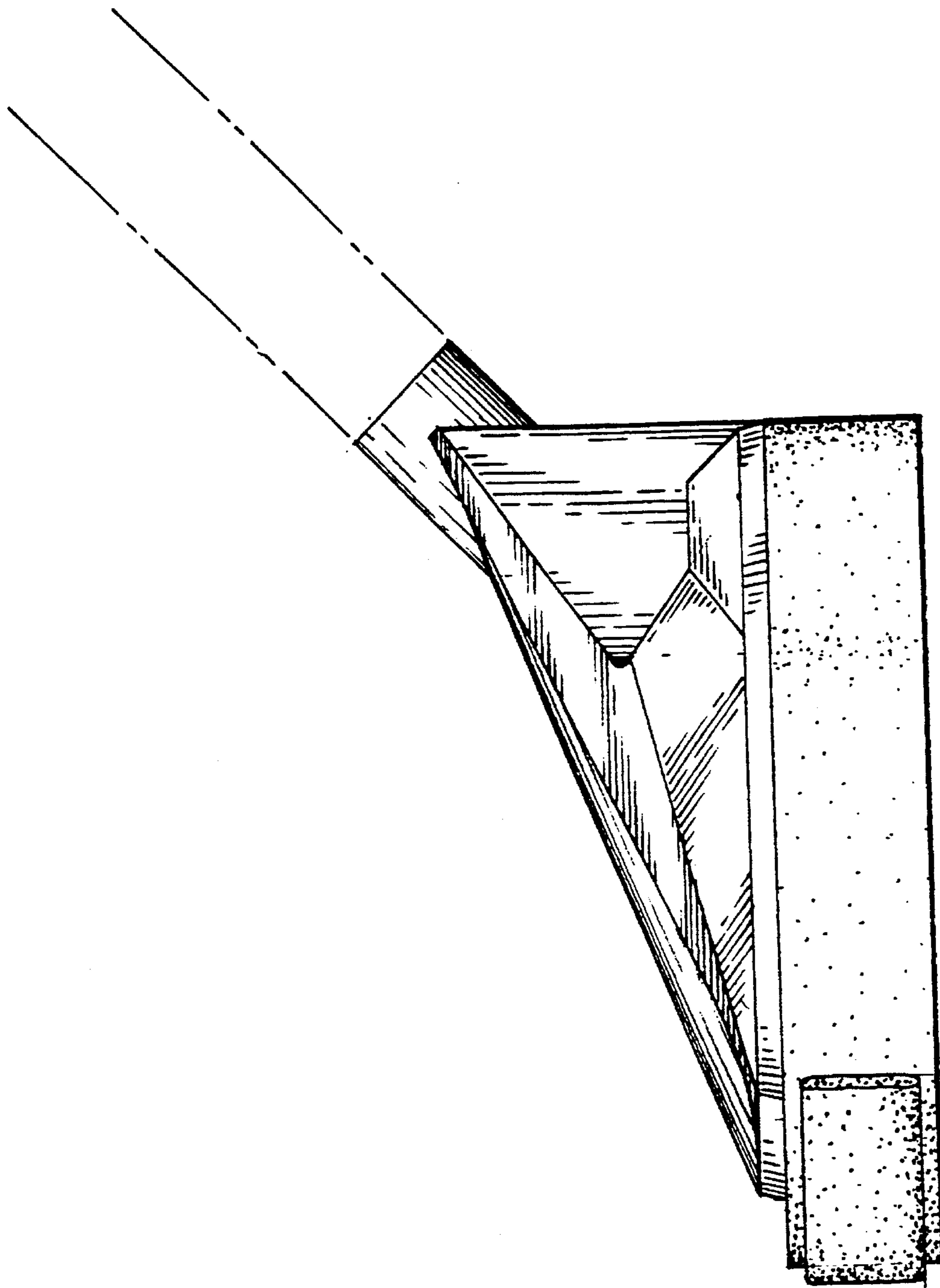


FIG. 6