



US00D374745S

United States Patent [19]

Harris

[11] Patent Number: **Des. 374,745**

[45] Date of Patent: ****Oct. 15, 1996**

[54] **COMBINED TOOTHPICK AND CASE
HAVING KEY RING**

[76] Inventor: **William R. Harris**, 30380 Old Stream Rd., Southfield, Mich. 48076

[**] Term: **14 Years**

[21] Appl. No.: **44,858**

[22] Filed: **Oct. 2, 1995**

[52] U.S. Cl. **D28/64**

[58] Field of Search D28/64; 132/321-329;
206/96

[56] **References Cited**

U.S. PATENT DOCUMENTS

D. 361,405	8/1995	Tipp	D28/64
848,693	4/1907	Sharp	132/328
3,042,191	7/1962	Riche	206/96
3,672,378	6/1972	Silverman	D28/64
4,040,433	8/1977	Edison	132/321
4,800,905	1/1989	Stuart	132/328

FOREIGN PATENT DOCUMENTS

530429	3/1993	European Pat. Off.	132/323
--------	--------	-------------------------	---------

Primary Examiner—Kay H. Chin

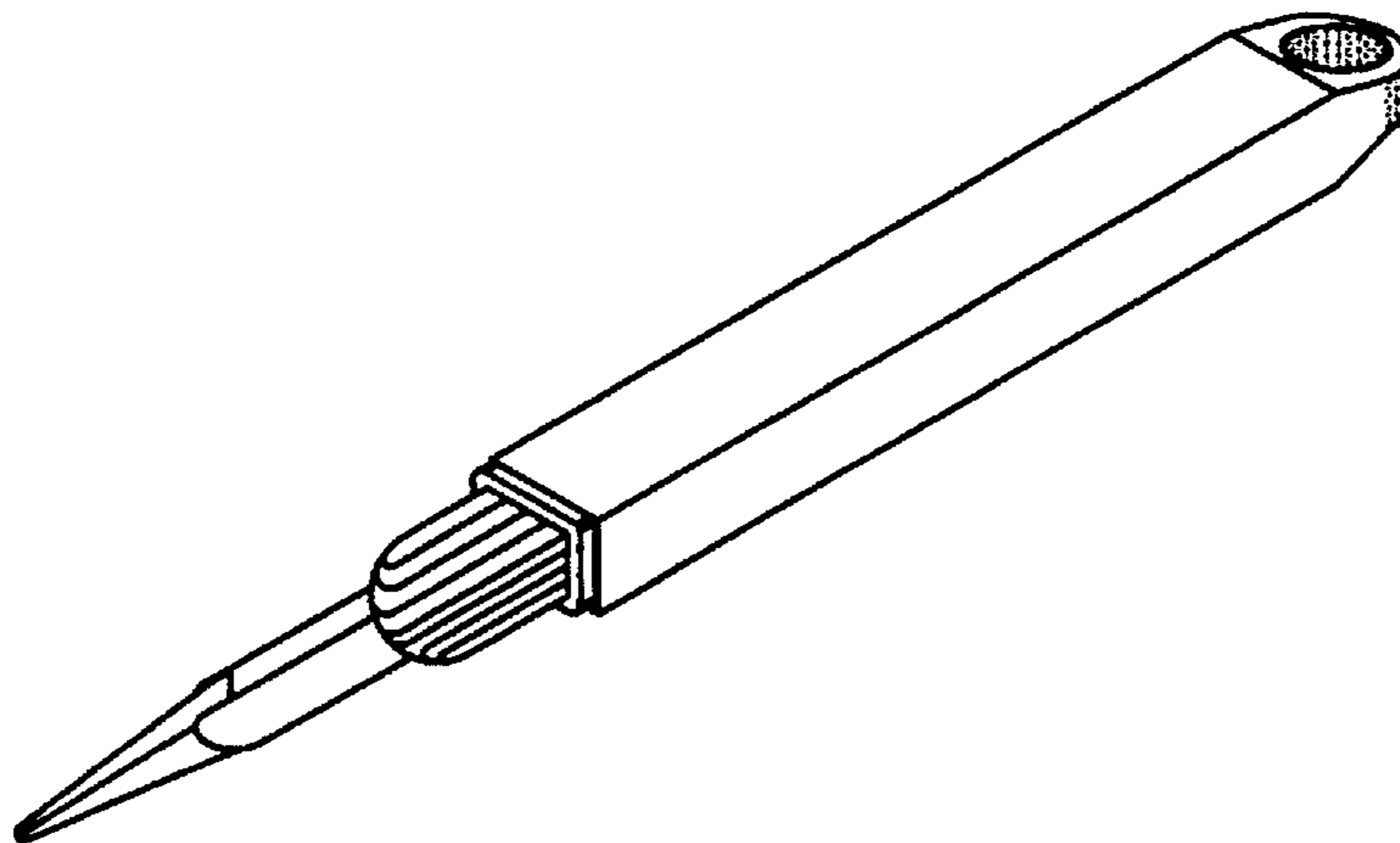
[57] **CLAIM**

The ornamental design for a combined toothpick and case having key ring, as shown and described.

DESCRIPTION

FIG. 1 is a perspective view of the combined toothpick and case having key ring showing my new design;
 FIG. 2 is a perspective view thereof in a closed condition;
 FIG. 3 is a perspective view of the toothpick;
 FIG. 4 is a perspective view of the case;
 FIG. 5 is a side elevational view of the case, the opposite side thereof being identical;
 FIG. 6 is a right end elevational view of FIG. 5;
 FIG. 7 is a top plan view of the case, the bottom thereof being identical;
 FIG. 8 is a right end elevational view of FIG. 7;
 FIG. 9 is a side elevational view of the toothpick, the opposite side thereof being identical;
 FIG. 10 is a right end elevational view of FIG. 9;
 FIG. 11 is a top plan view of the toothpick, the bottom thereof being identical; and,
 FIG. 12 is a left end elevational view of FIG. 11.

1 Claim, 1 Drawing Sheet



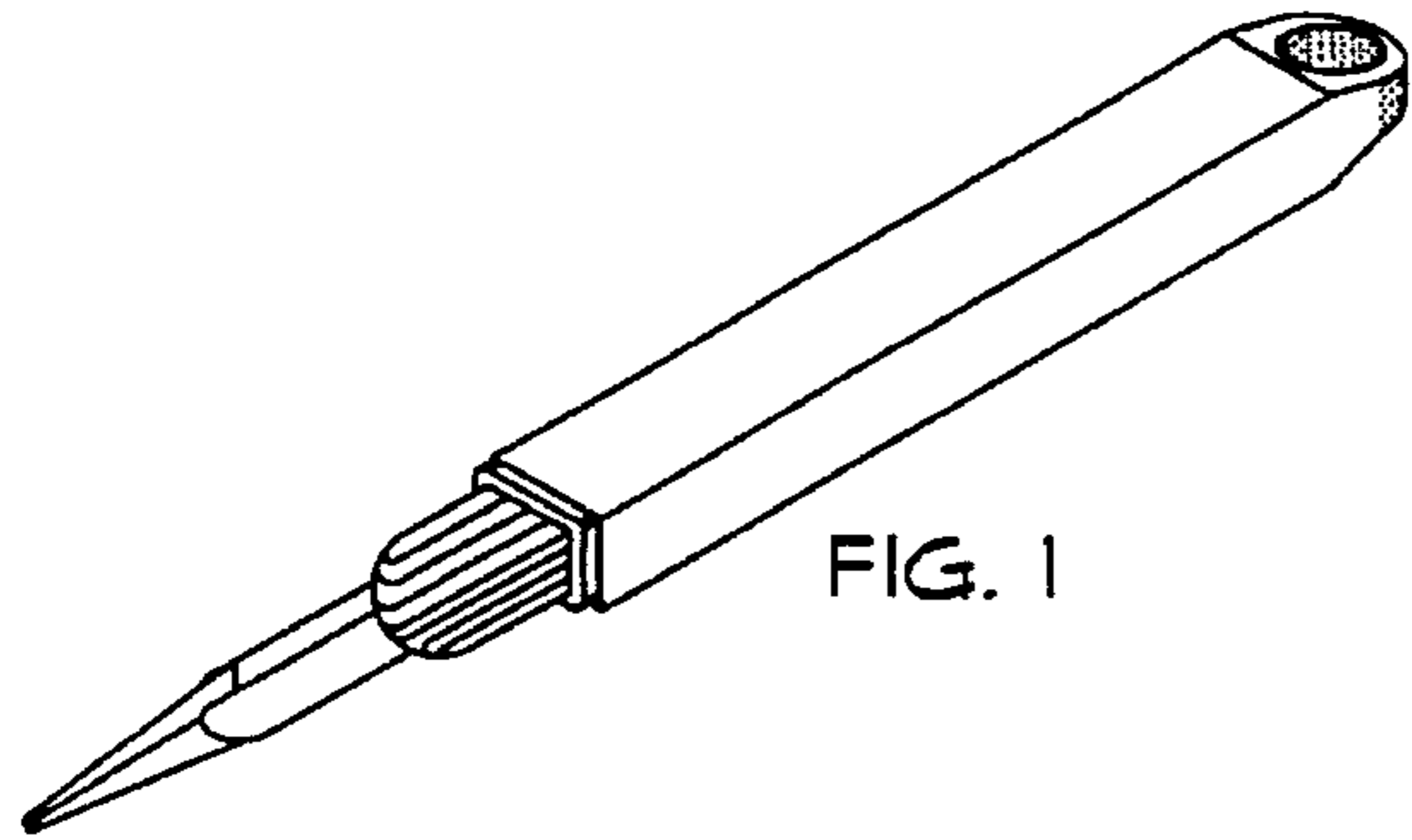


FIG. 1

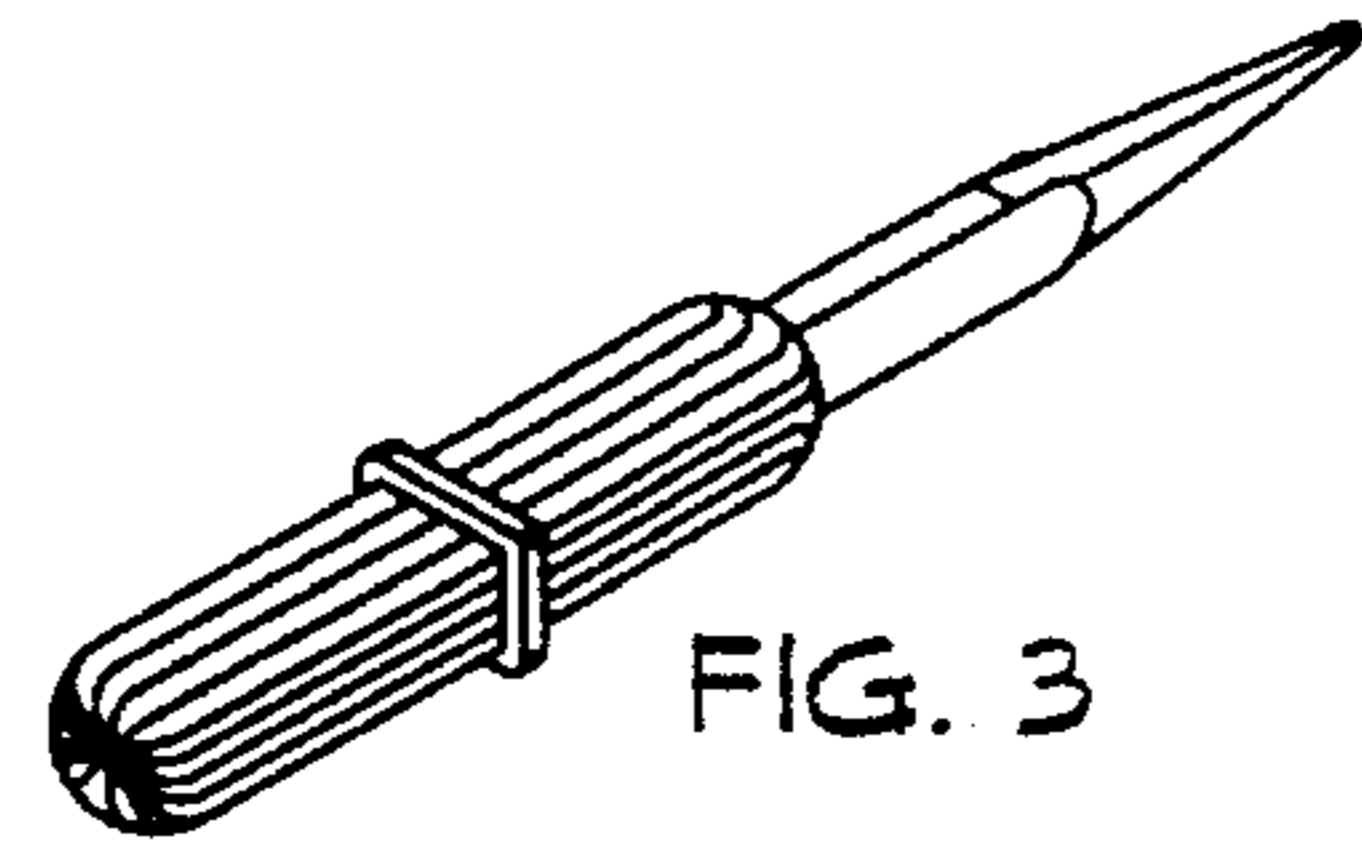


FIG. 3

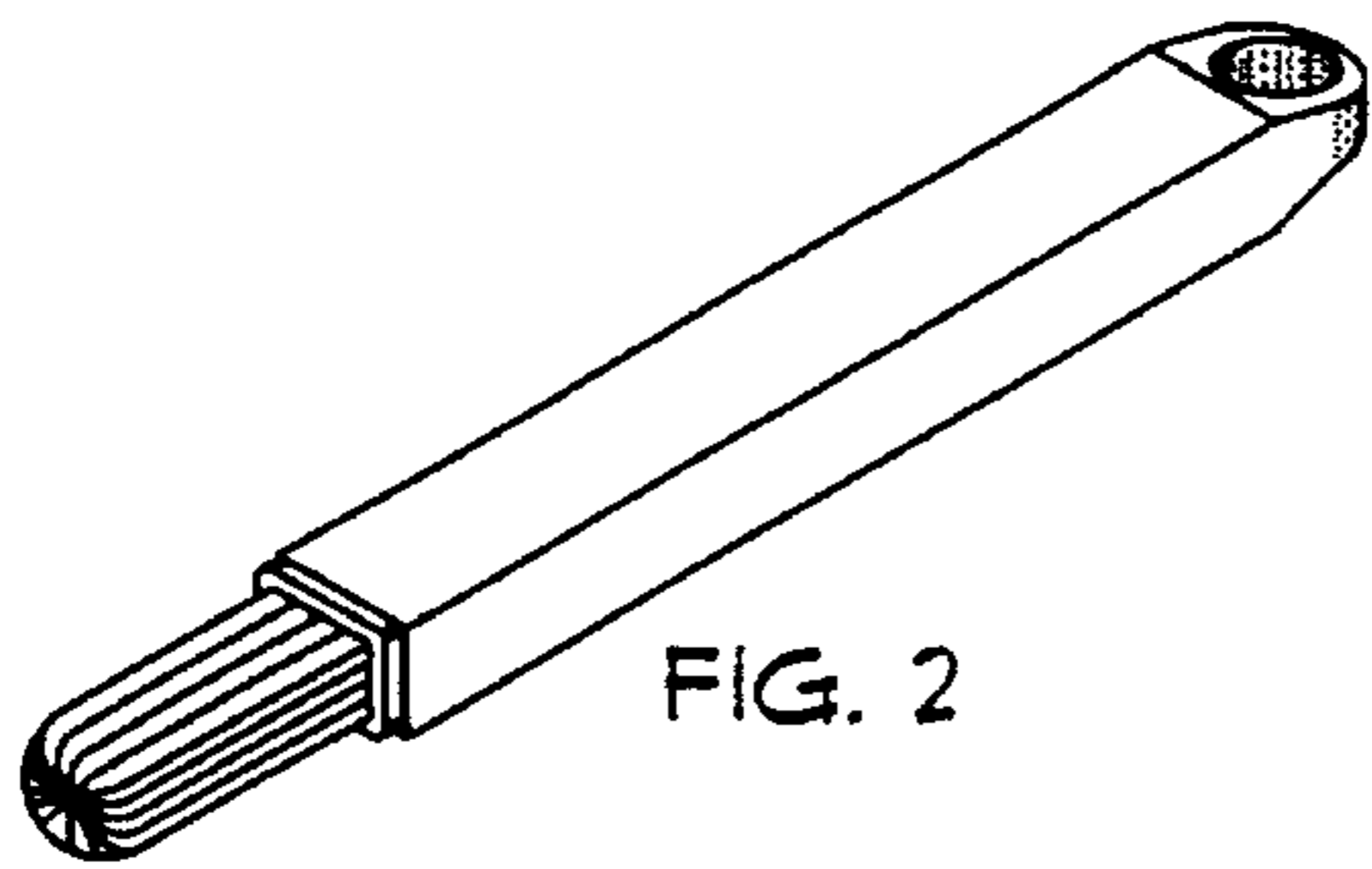


FIG. 2

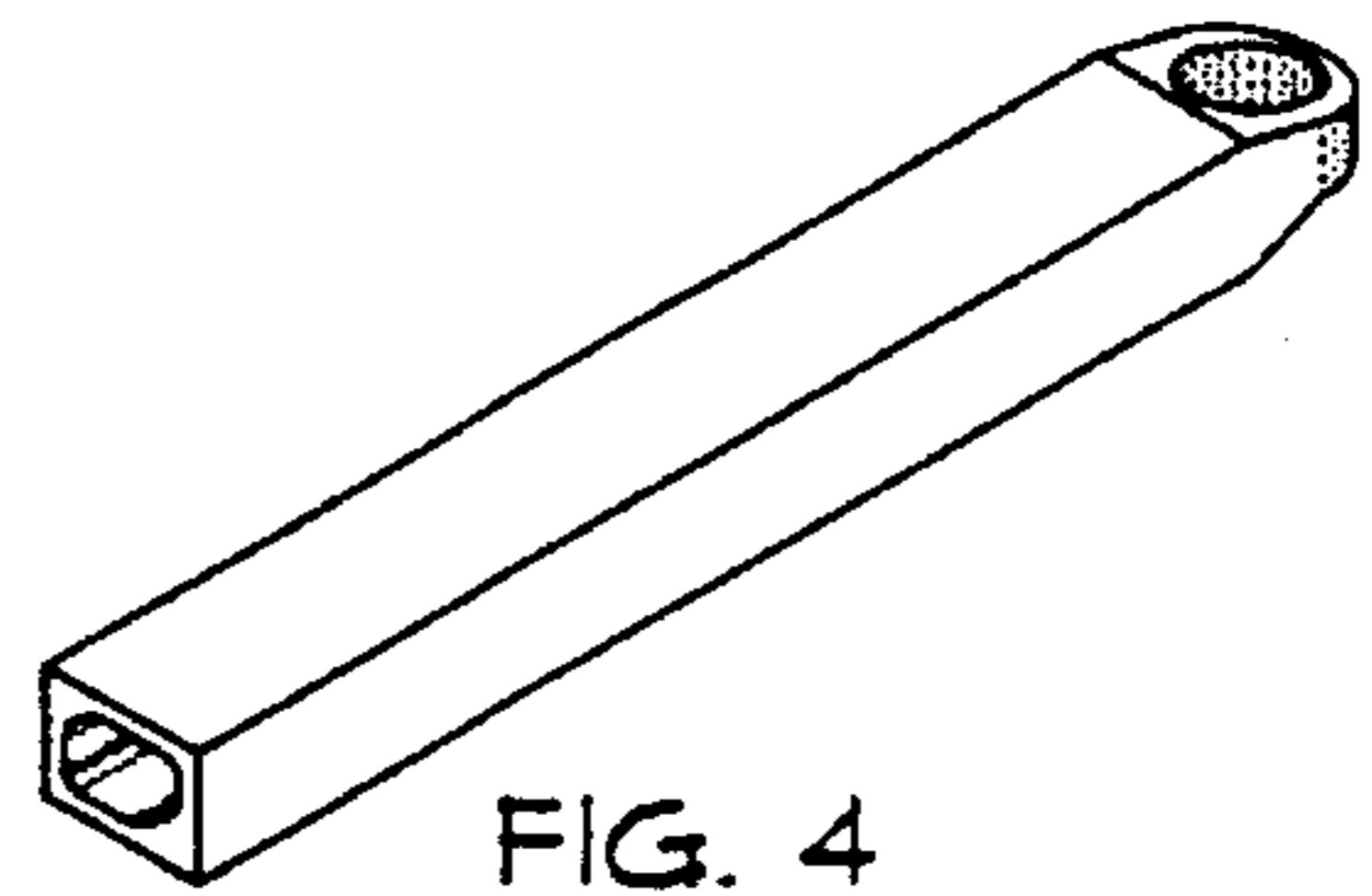


FIG. 4

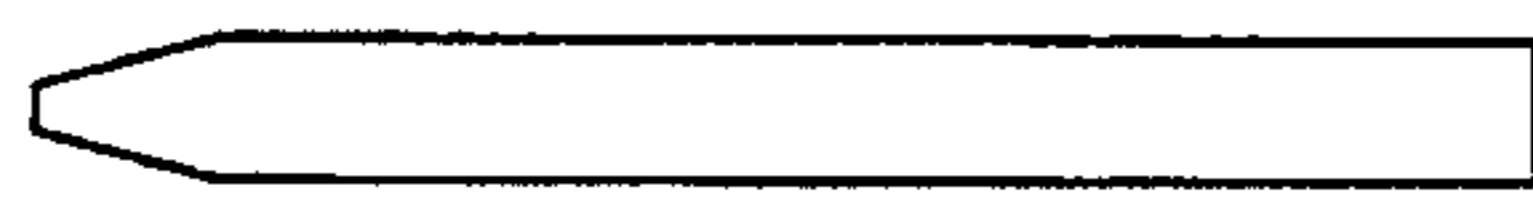


FIG. 5



FIG. 6



FIG. 7



FIG. 8



FIG. 9



FIG. 10



FIG. 11



FIG. 12