



US00D374743S

United States Patent [19]

Viemeister et al.

[11] Patent Number: **Des. 374,743**

[45] Date of Patent: ****Oct. 15, 1996**

- [54] **FOLDING HAIR DRYER**
- [75] Inventors: **Tucker Viemeister; David K. Peschel,**
both of New York, N.Y.
- [73] Assignee: **Remington Products Company,**
Bridgeport, Conn.
- [**] Term: **14 Years**
- [21] Appl. No.: **14,675**
- [22] Filed: **Oct. 27, 1993**
- [52] U.S. Cl. **D28/13**
- [58] Field of Search **D28/13-18; 34/96-101;**
392/384-385

"Modern Salon" May 1987 ① p. 108 hair dryer on left—item #1; ② p. 169: Riva 1250 Dryer.
 "Modern Salon" Jun. 1987; p. 105 Airwaves hair dryers.
 "Hong Kong Enterprise" Feb. 1993; p. 276: TPH-9000F Foldable Hair Dryer.
 Photo of Canaic 1600 W dryer—No. 88212 (Mfr #RD2) from unknown department store sales circular—undated.

Primary Examiner—Ted Shooman
Assistant Examiner—G. Tuttle
Attorney, Agent, or Firm—Melvin I. Stoltz

[57] CLAIM

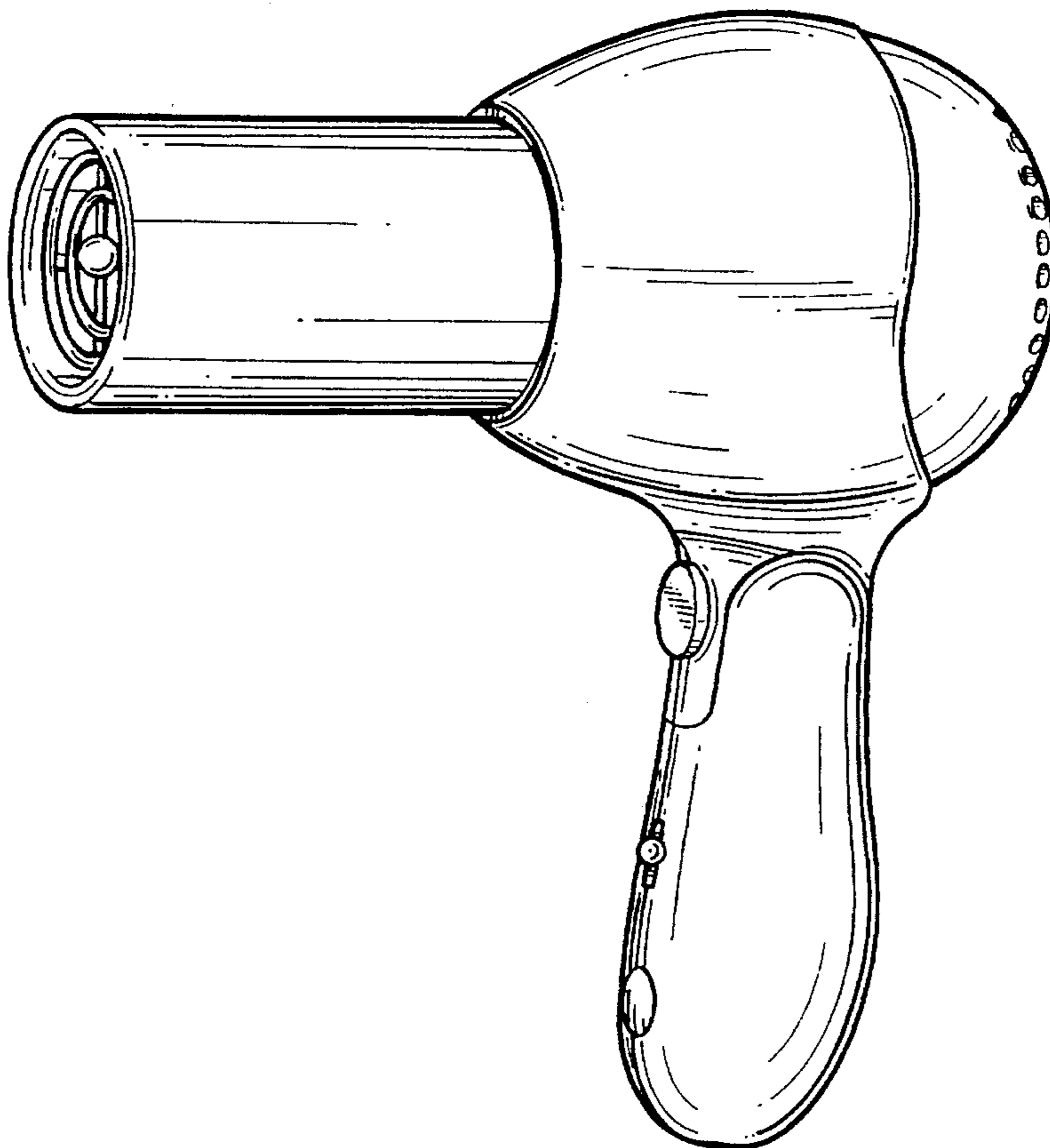
The ornamental design for a folding hair dryer, as shown and described.

- [56] **References Cited**
- U.S. PATENT DOCUMENTS**
- D. 277,789 2/1985 Pajak D28/13
- D. 344,815 3/1994 Assmann D28/13
- FOREIGN PATENT DOCUMENTS**
- 79101 5/1983 European Pat. Off. 392/385
- OTHER PUBLICATIONS**
- Oster advertising brochure,—Airjet hair dryer.
- "Housewares" Feb. 1974; p. 13: dubl duck hair dryer.
- "Merchandising Week"; Feb. 15, 1974; p. 69 Turbo Dryer C-1300 on upper right.

DESCRIPTION

FIG. 1 is a front perspective view of our new design of a folding hair dryer;
 FIG. 2 is a front elevational view thereof;
 FIG. 3 is a rear elevational view thereof;
 FIG. 4 is a top plan view thereof;
 FIG. 5 is a bottom view thereof;
 FIG. 6 is a right side elevational view thereof; and,
 FIG. 7 is a left side elevational view thereof.

1 Claim, 7 Drawing Sheets



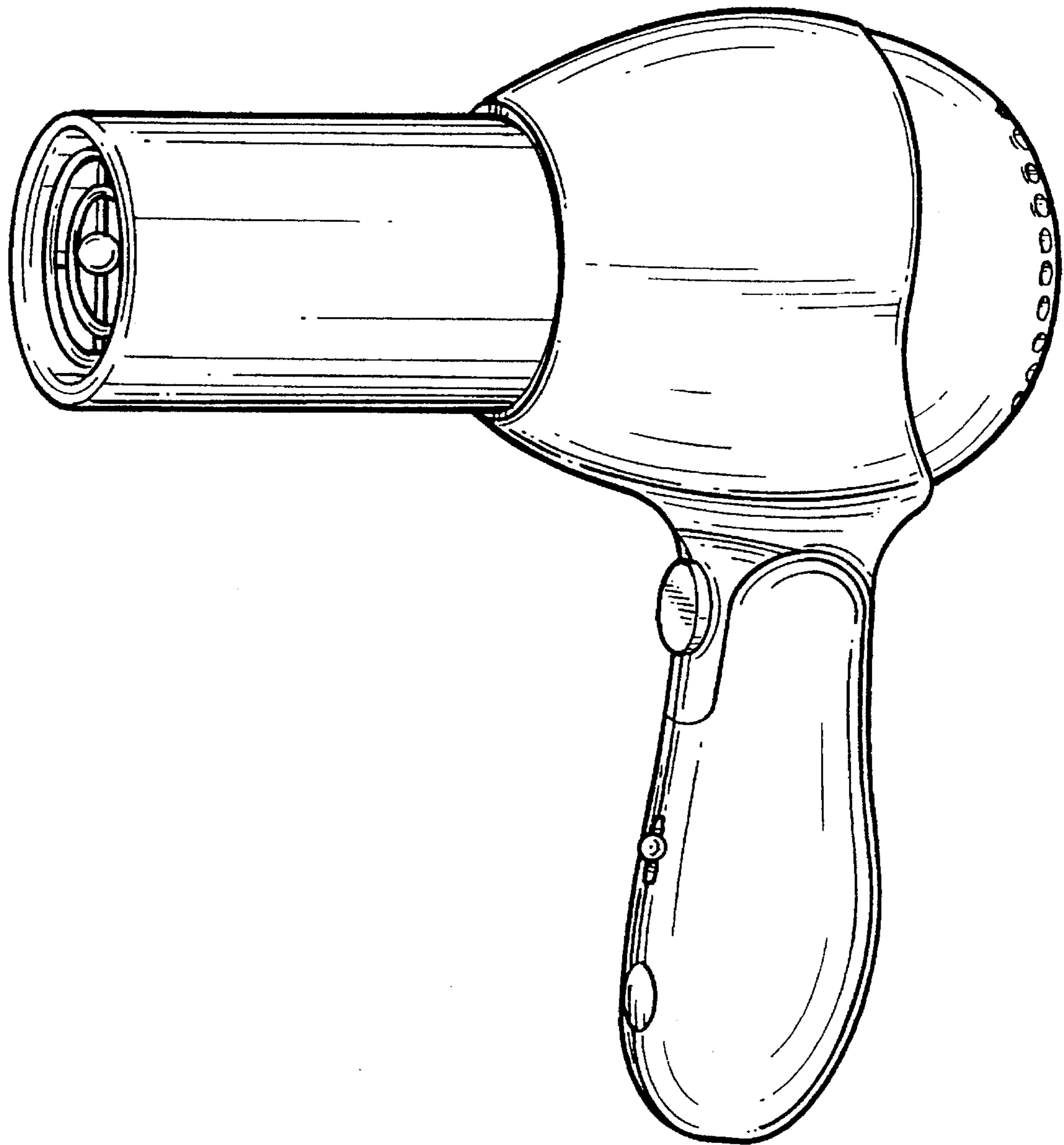


FIG. 1

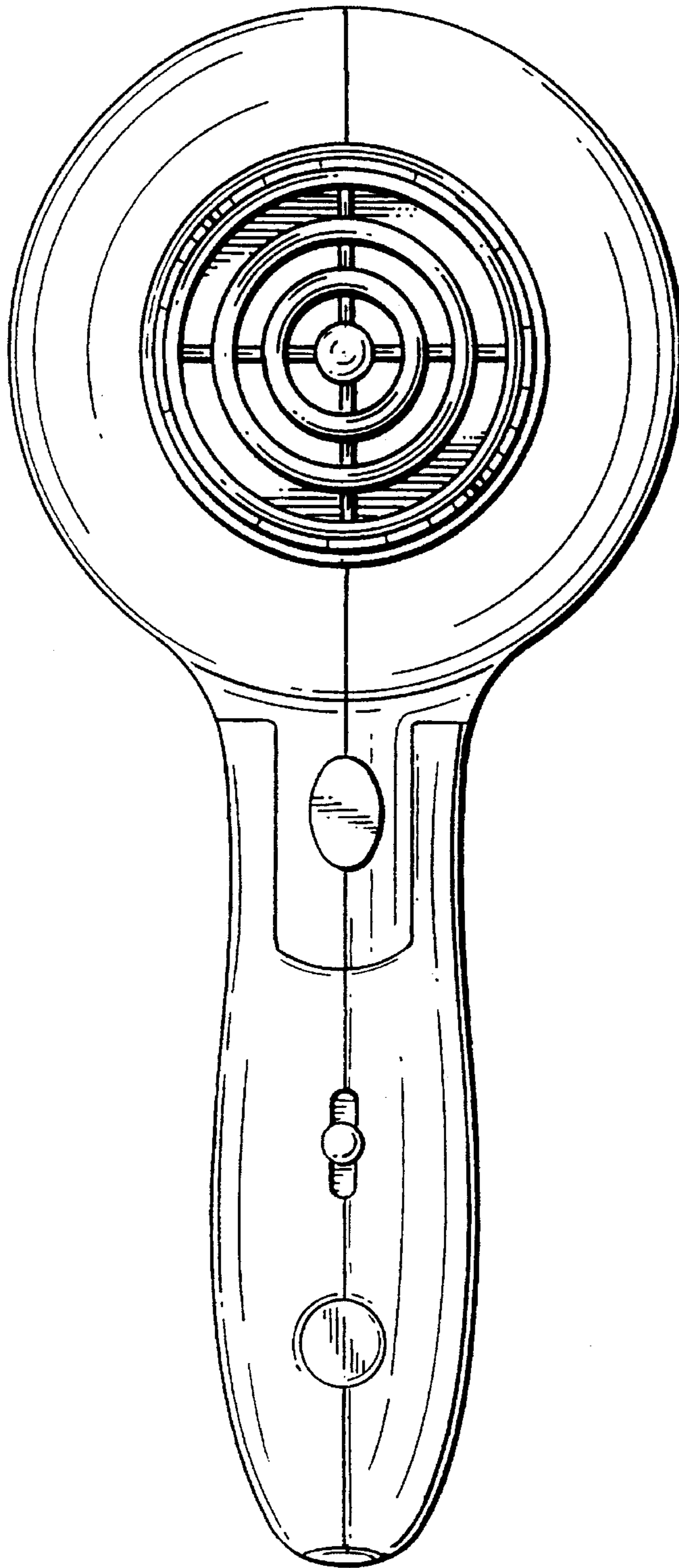


FIG. 2

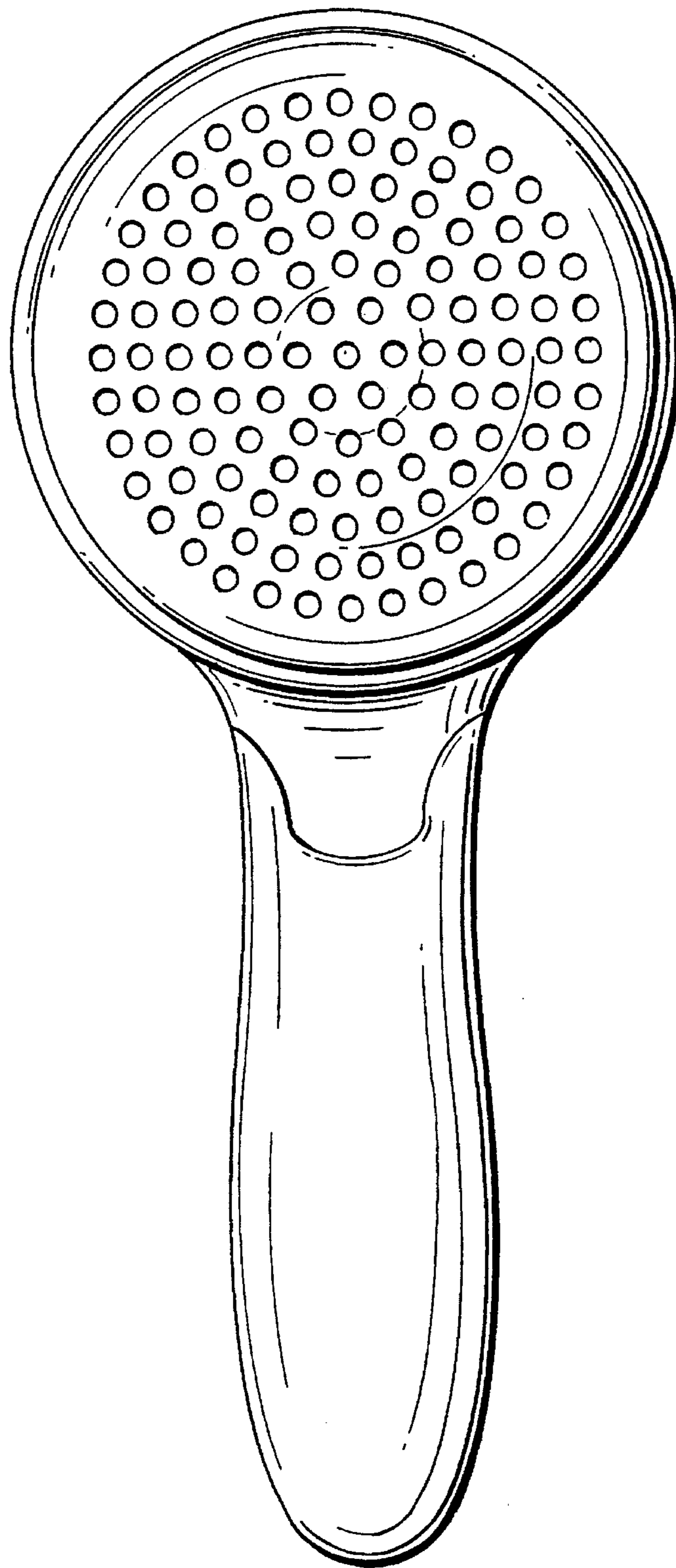


FIG. 3

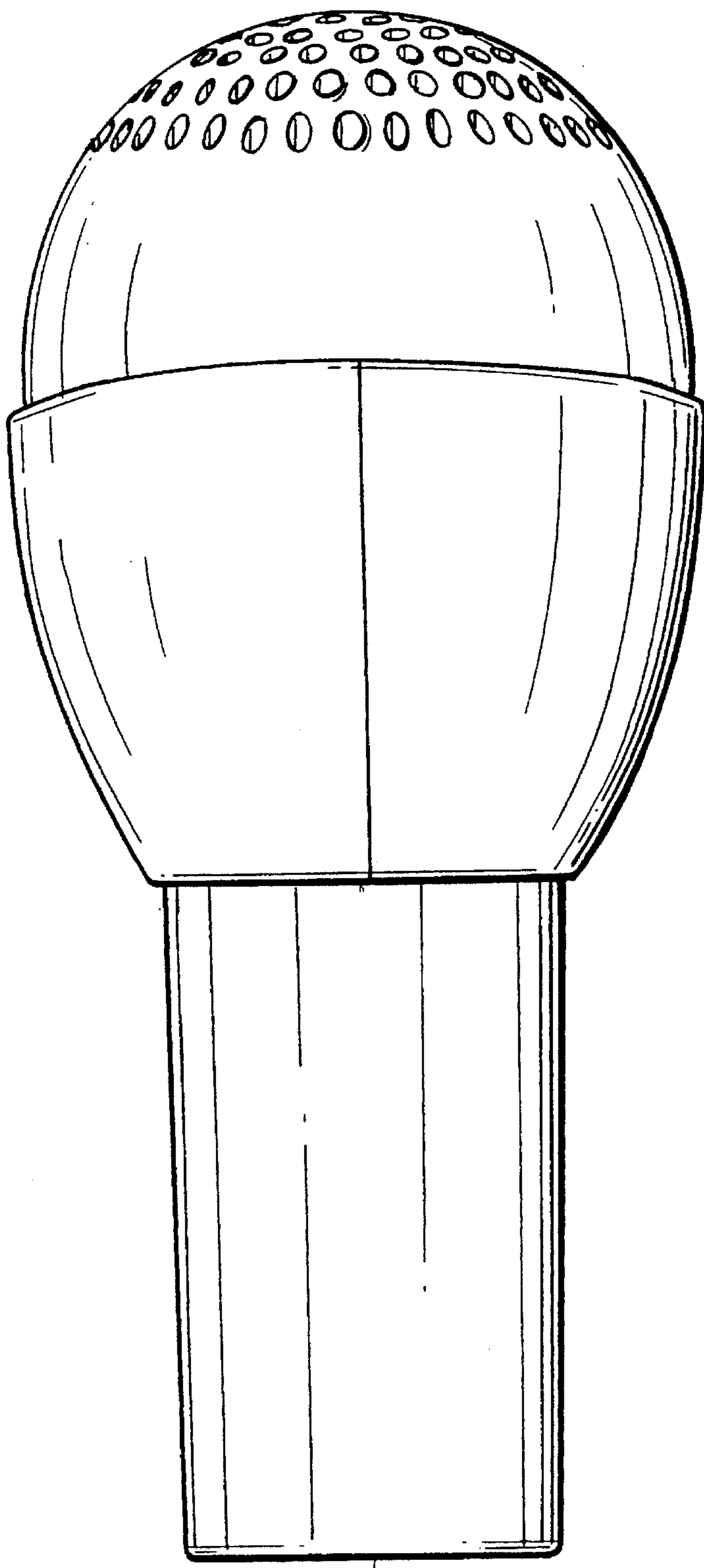


FIG. 4

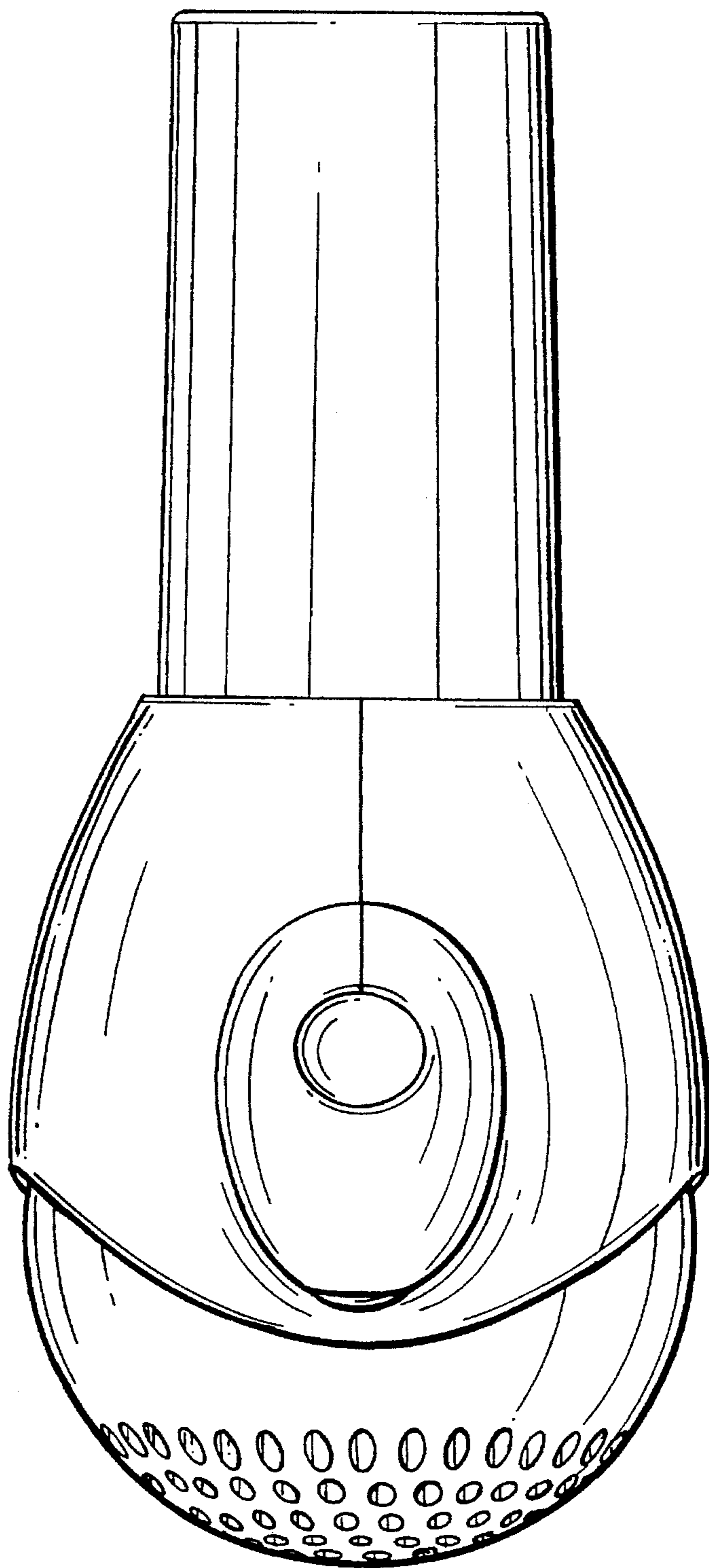


FIG. 5

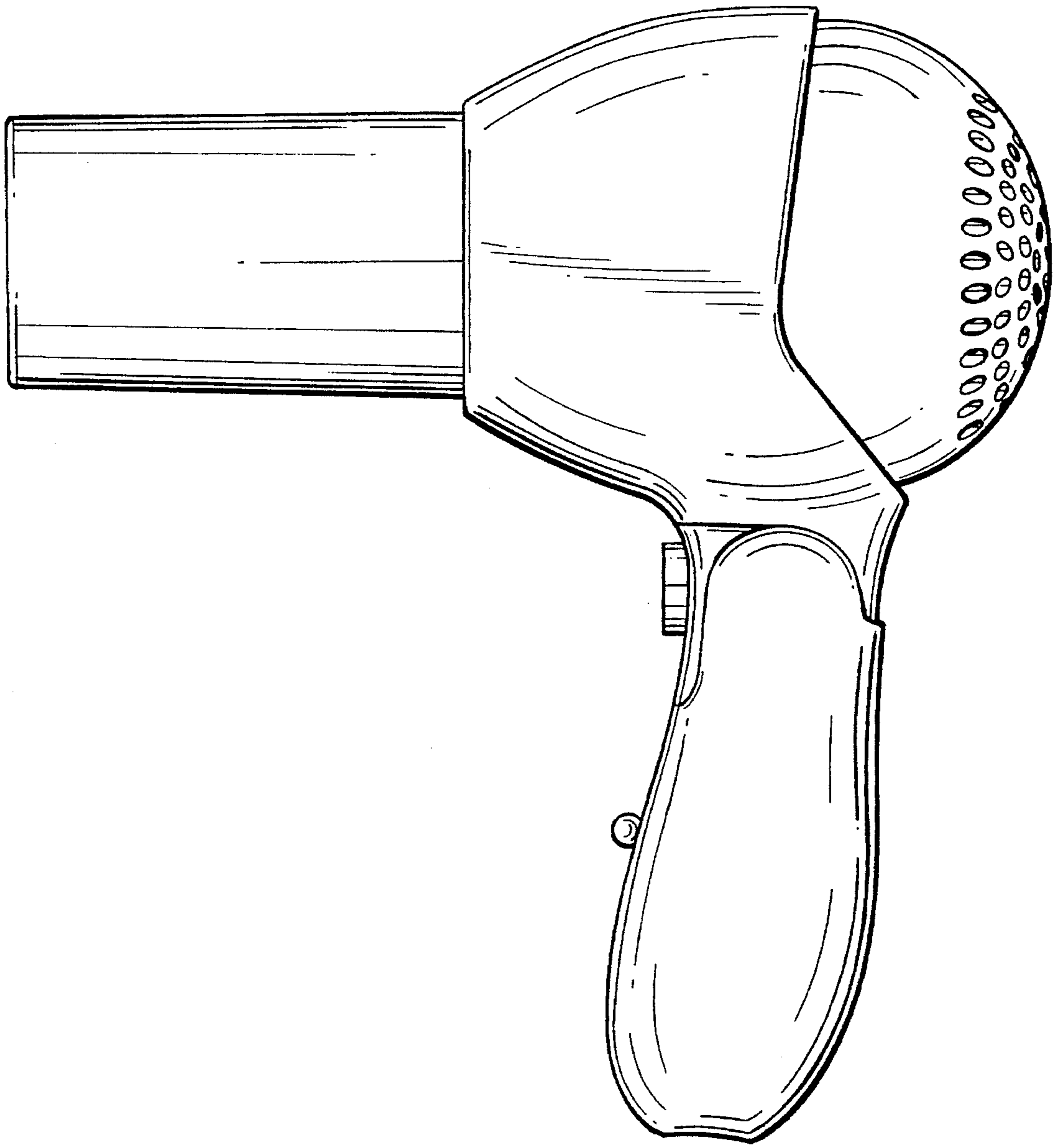


FIG. 6

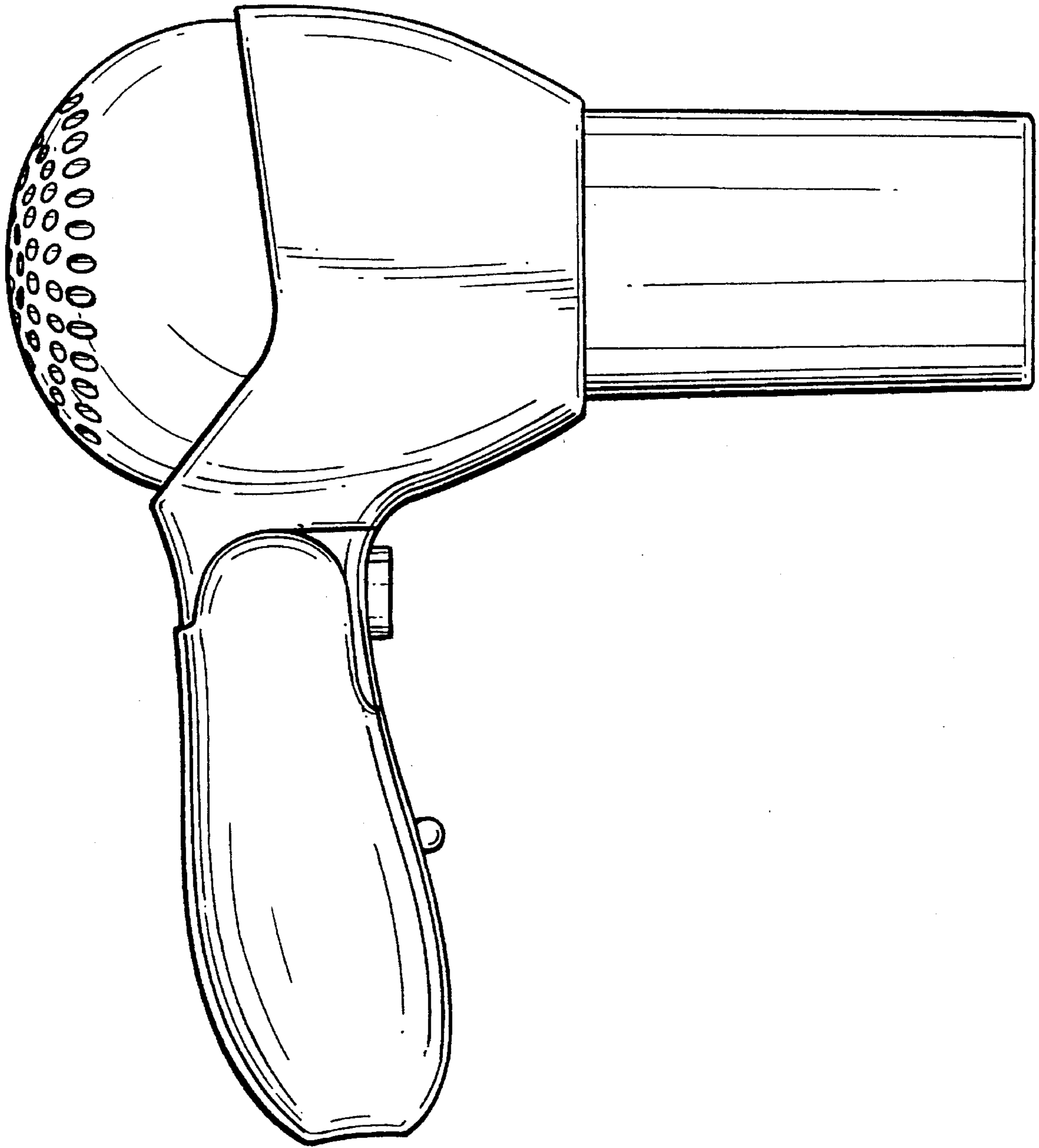


FIG. 7