



US00D374739S

# United States Patent [19]

Blanton

[11] Patent Number: **Des. 374,739**

[45] Date of Patent: **\*\*Oct. 15, 1996**

[54] **BRACKET FOR DECORATIVE LIGHTS**

4,851,977 7/1989 Gary ..... 362/249  
4,901,212 2/1990 Prickett ..... 362/249 X

[76] Inventor: **Fred T. Blanton**, P.O. Box 8216, The Woodlands, Tex. 77387-8216

*Primary Examiner*—Holly H. Baynham  
*Attorney, Agent, or Firm*—Kenneth A. Roddy

[\*\*] Term: **14 Years**

[57] **CLAIM**

[21] Appl. No.: **41,474**

The ornamental design for a bracket for decorative lights, as shown and described.

[22] Filed: **Jul. 17, 1995**

[52] U.S. Cl. .... **D26/138; D8/349; D8/395**

**DESCRIPTION**

[58] Field of Search ..... D8/354, 349, 373, D8/395; D26/138, 140; 362/190, 191, 396, 249; 248/300, 229

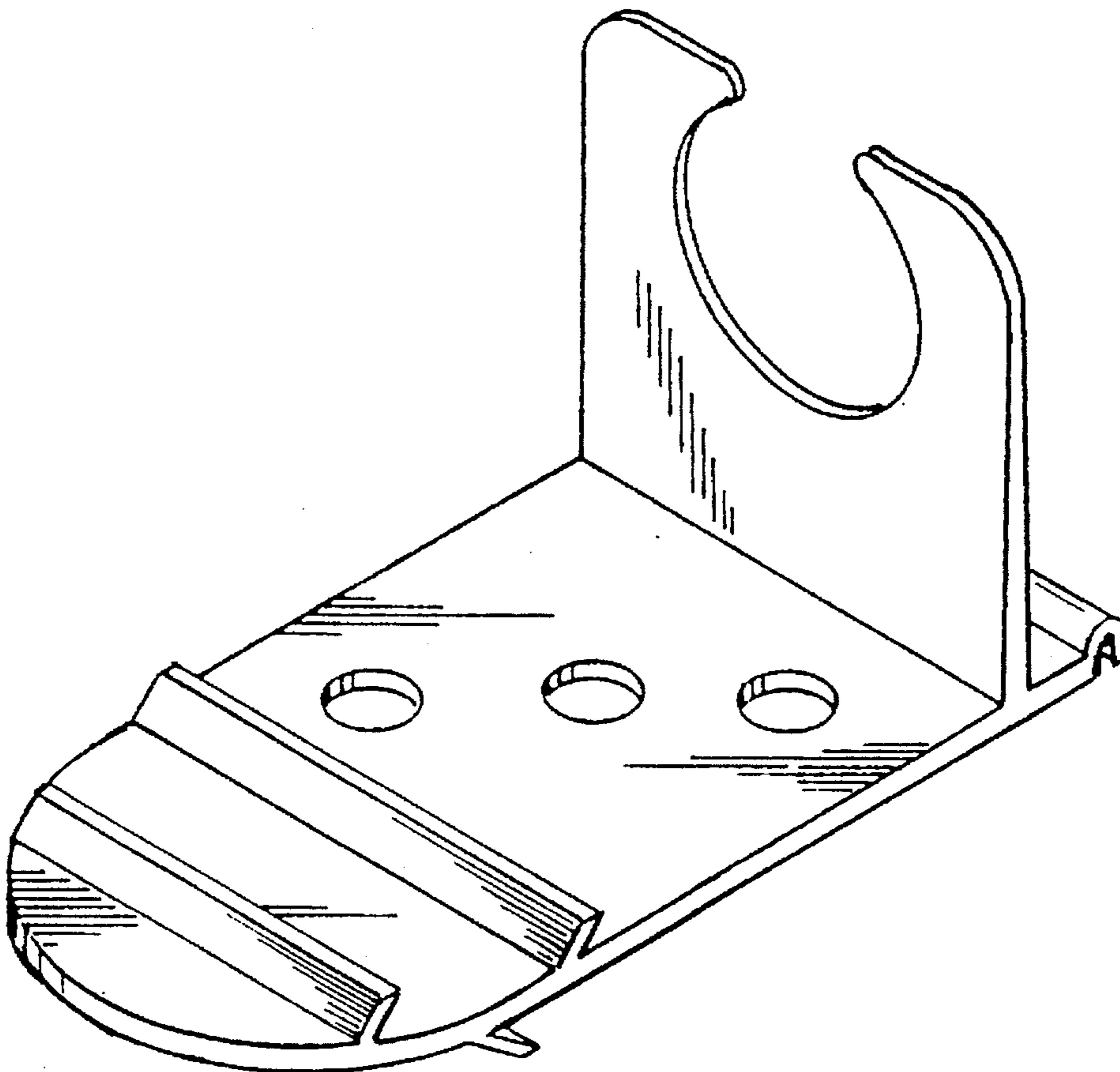
FIG. 1 is an isometric view of the bracket for decorative lights showing my new design from the top and one end; FIG. 2 is an isometric view thereof shown from the top and end opposite that of FIG. 1; and, FIG. 3 is an isometric view thereof shown from the bottom and same end as that of FIG. 2.

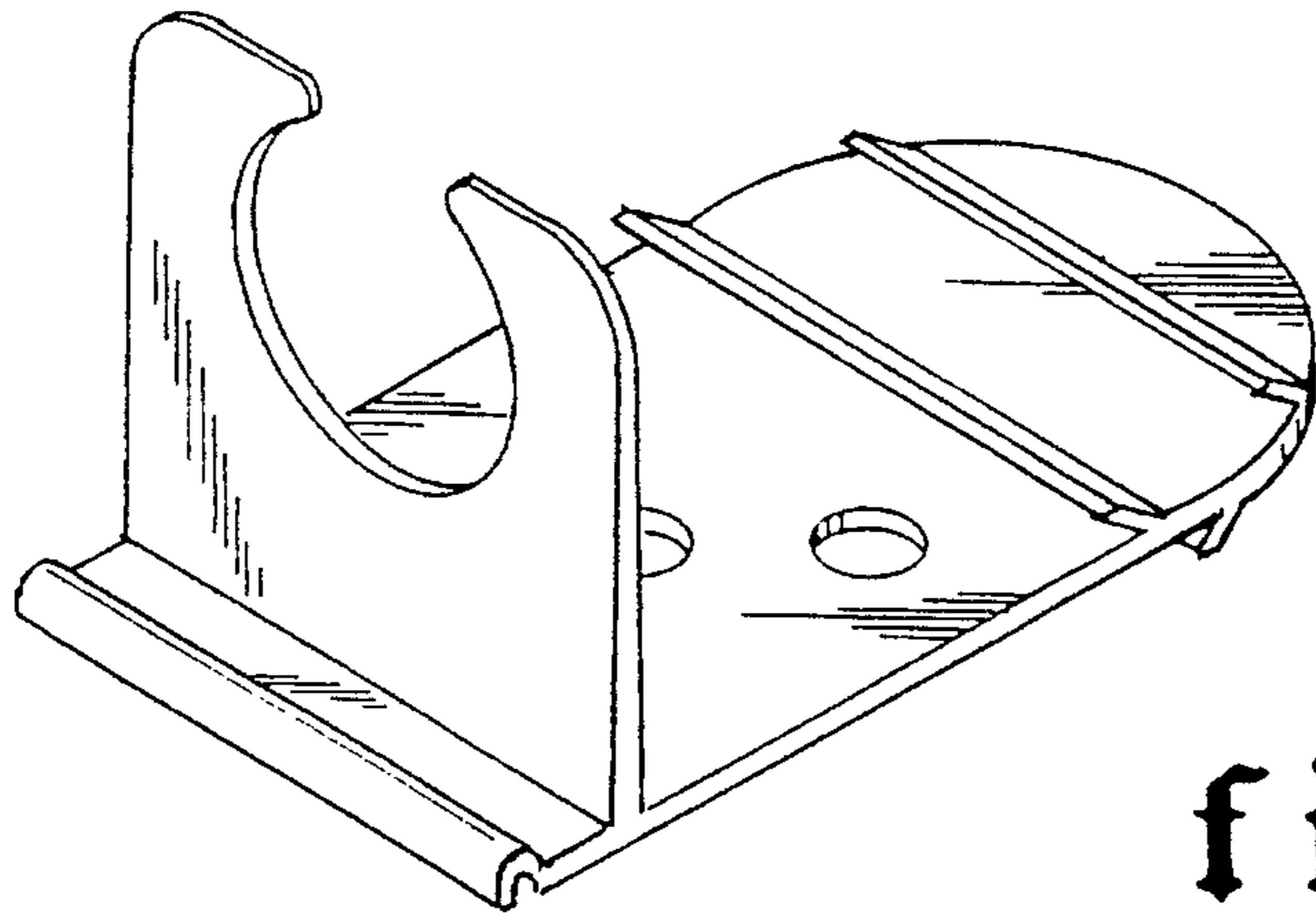
[56] **References Cited**

**U.S. PATENT DOCUMENTS**

D. 356,492 3/1995 Adams ..... D8/395  
4,084,778 4/1978 Dominguez ..... 248/300 X  
4,491,902 1/1985 Cangelosi ..... 362/396 X

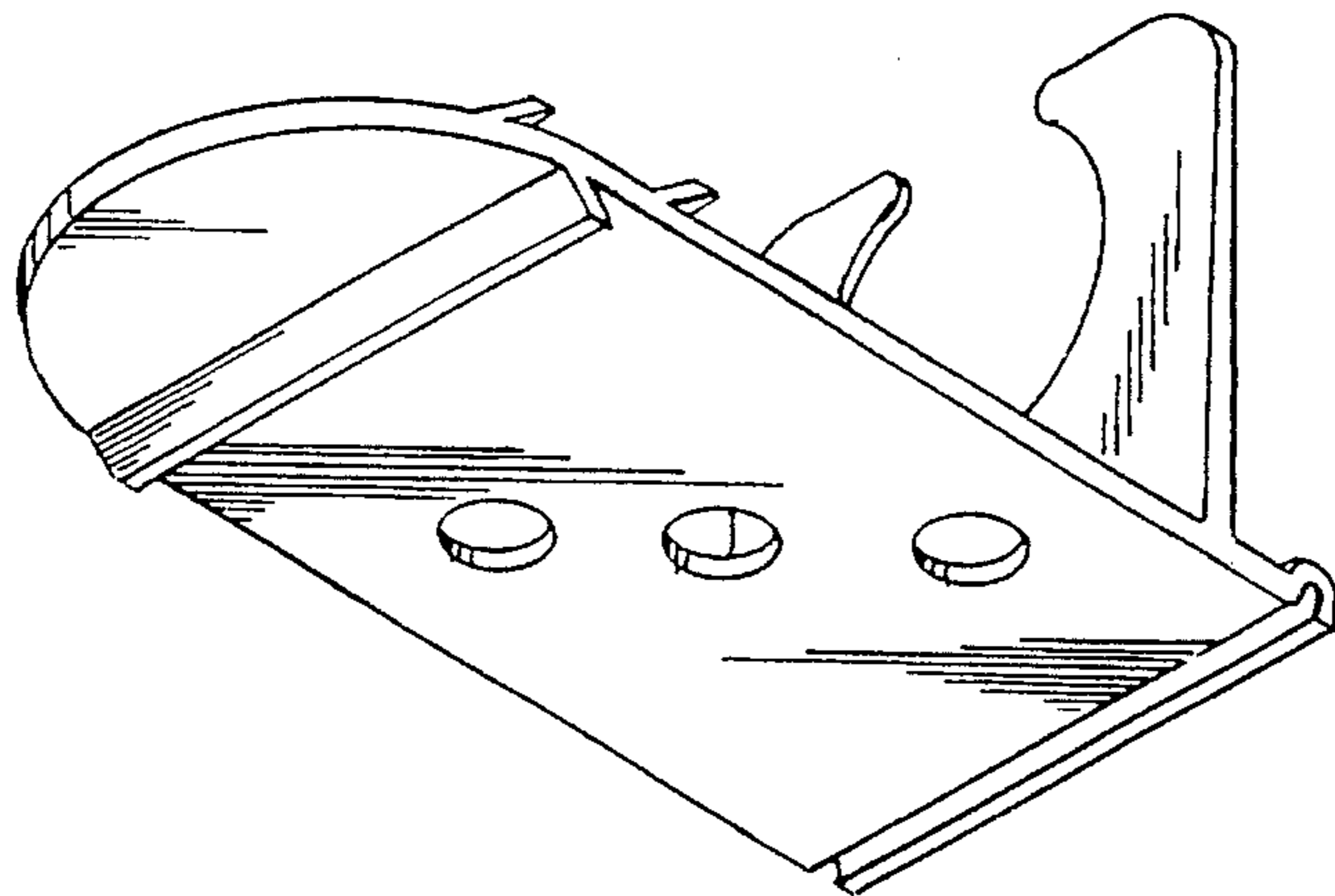
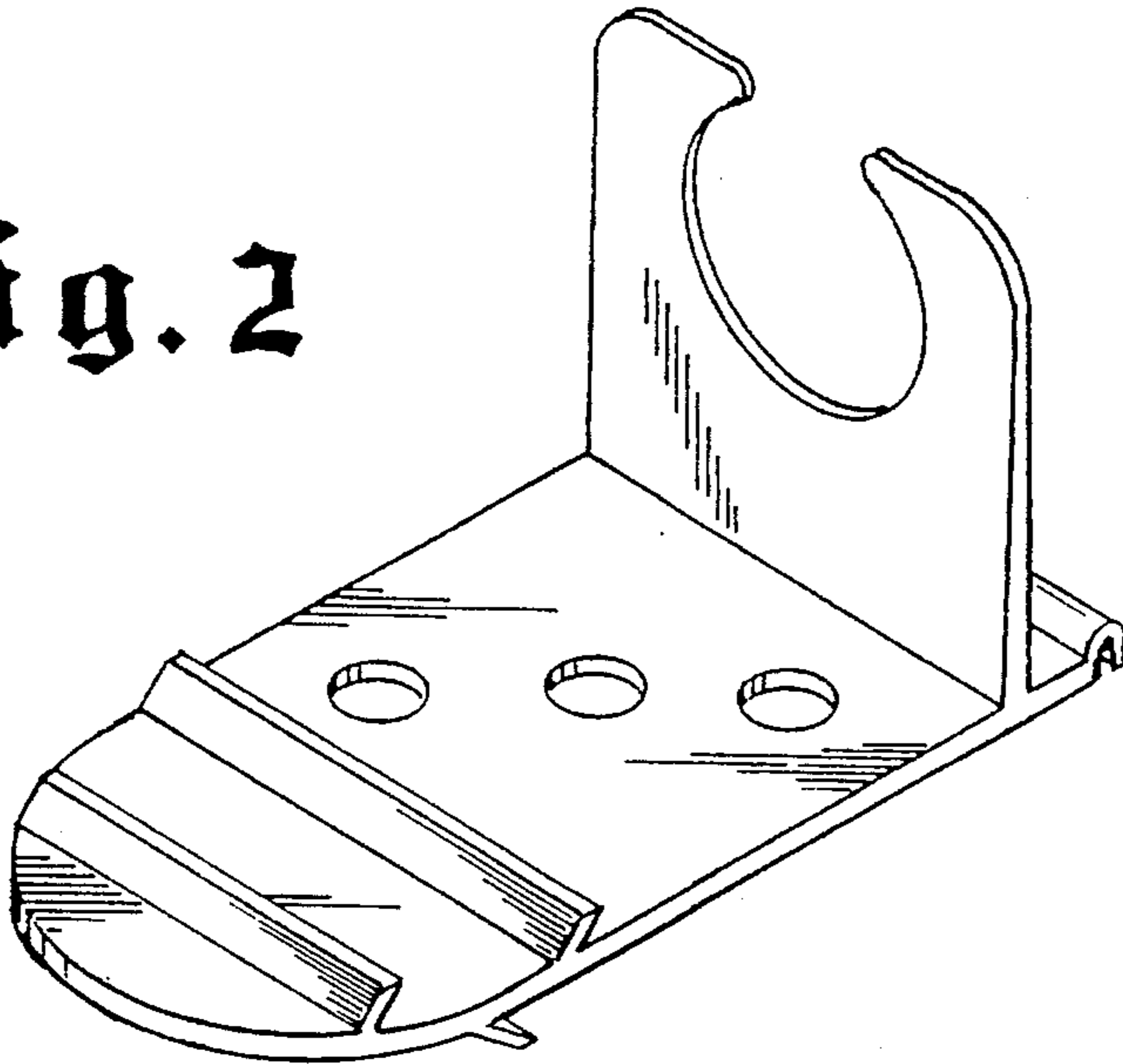
**1 Claim, 1 Drawing Sheet**





**fig. 1**

**fig. 2**



**fig. 3**