



US00D374737S

United States Patent [19] Can

[11] Patent Number: **Des. 374,737**
[45] Date of Patent: ****Oct. 15, 1996**

[54] LAMP

5,426,572 6/1995 Weinstock et al. 362/133

[75] Inventor: **Tai-Nin Can**, College Point, N.Y.

FOREIGN PATENT DOCUMENTS

[73] Assignee: **WAC Lighting Co.**, New York, N.Y.

14469 8/1916 United Kingdom 362/240

[**] Term: **14 Years**

OTHER PUBLICATIONS

[21] Appl. No.: **43,662**

Axis Lighting, Information Sheet, 1 Page. Brooklyn NY
Admitted Prior Art (Prior to Sep. 3, 1993).

[22] Filed: **Jul. 31, 1995**

Primary Examiner—Susan J. Lucas
Attorney, Agent, or Firm—Robert W. J. Usher

Related U.S. Application Data

[63] Continuation of Ser. No. 23,924, Jun. 3, 1994, abandoned.

[52] U.S. Cl. **D26/80**

[58] Field of Search D26/24, 72, 80,
D26/81, 85, 88, 87; 362/236, 237, 238,
240, 249, 250, 147, 432, 127, 133, 125

[57] CLAIM

The ornamental design for a lamp, as shown and described.

DESCRIPTION

[56] References Cited

U.S. PATENT DOCUMENTS

D. 107,105	11/1937	Stewart	D26/75
D. 140,107	1/1945	Lippincott	D26/76
D. 166,034	2/1952	Gray	D26/75
D. 270,481	9/1983	Waitright	D26/24
D. 307,806	5/1990	Byar et al.	D26/37
D. 312,136	11/1990	Miletick	D26/24
D. 313,863	1/1991	Macaluso	D26/29
D. 359,374	6/1995	Weinstock	D26/80
1,793,818	2/1931	Morton	.	
4,454,569	6/1984	Maguire	362/127
4,748,545	5/1988	Schmitt	362/219
4,748,548	5/1988	Barton	362/249
4,872,099	10/1989	Kelley	362/295
5,031,083	7/1991	Claesson	362/249
5,057,978	10/1991	Conti	362/125
5,084,806	1/1992	Nagai	362/240
5,113,329	5/1992	Lin	362/238
5,152,599	10/1992	Lewis et al.	362/237 X

FIG. 1 is a perspective view from above one end and one side, of a first embodiment of a lamp showing my new design;

FIG. 2 is a side elevational view of the first embodiment of the lamp the opposite side being a mirror image;

FIG. 3 is an underplan view of the base of the first embodiment of the lamp;

FIG. 4 is an elevational view of the other end of the first embodiment of the lamp;

FIG. 5 is a perspective view from above one end and one side, of a second embodiment of a lamp showing my new design;

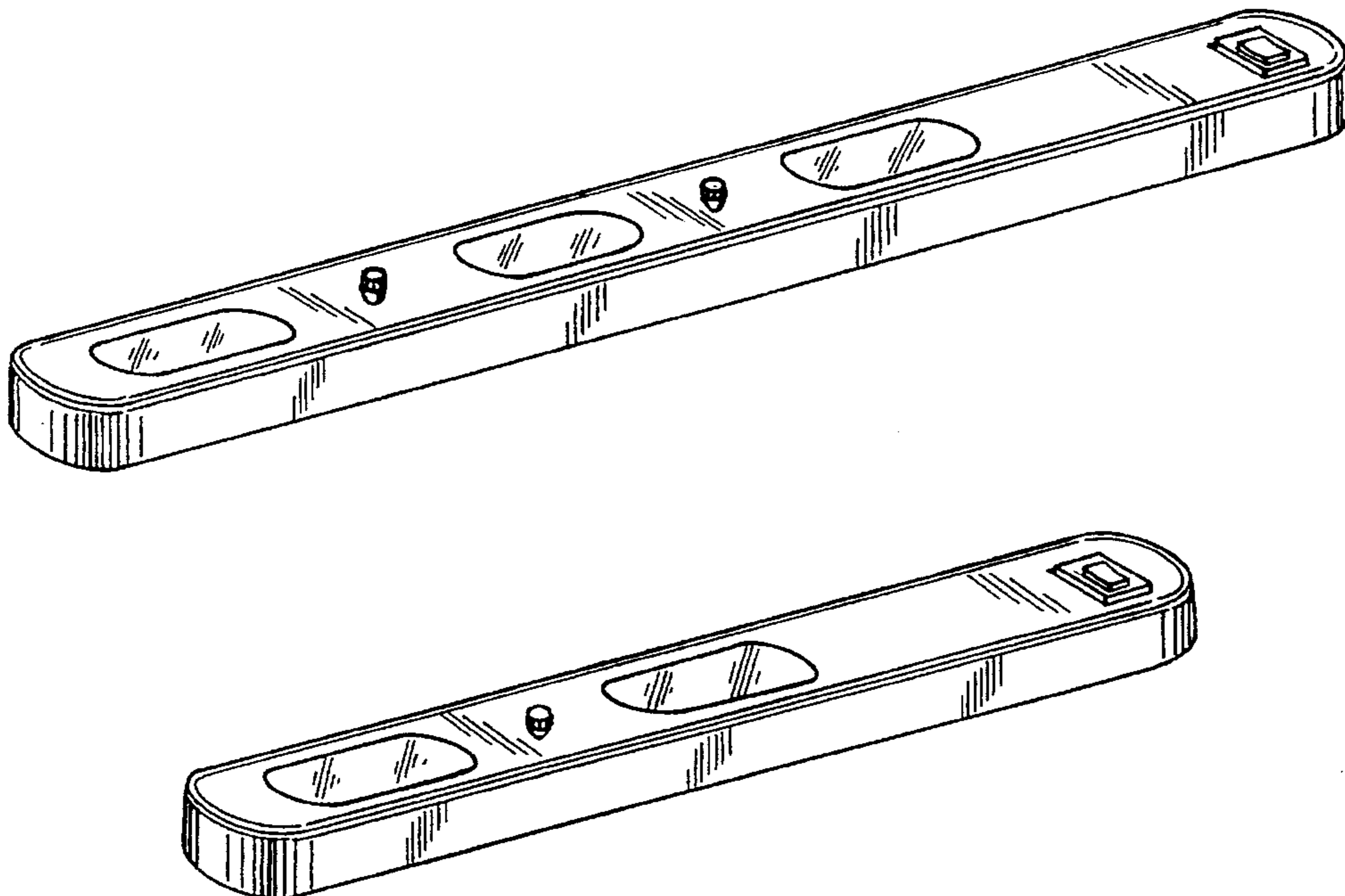
FIG. 6 is a side elevational view of the second embodiment of the lamp the opposite side being a mirror image;

FIG. 7 is an underplan view of the base of the second embodiment of the lamp; and,

FIG. 8 is an elevational view of the other end of the second embodiment of the lamp.

Wall mounting apertures, studs and fasteners on the base are shown in broken lines for illustration purpose only.

1 Claim, 2 Drawing Sheets



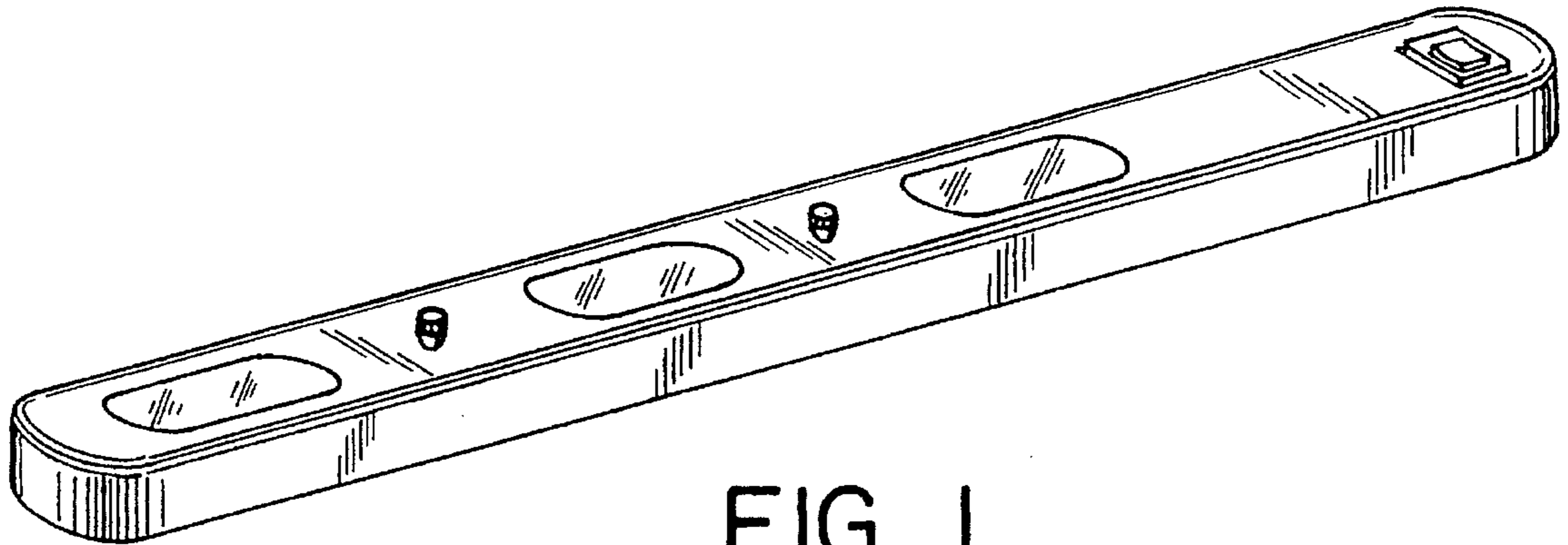


FIG. 1

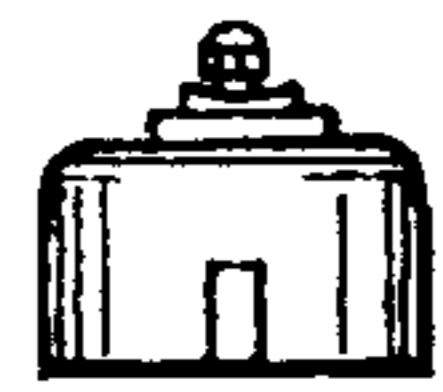


FIG. 4



FIG. 2

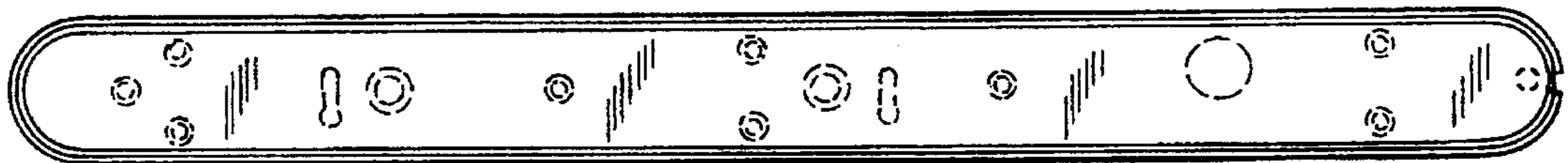


FIG. 3

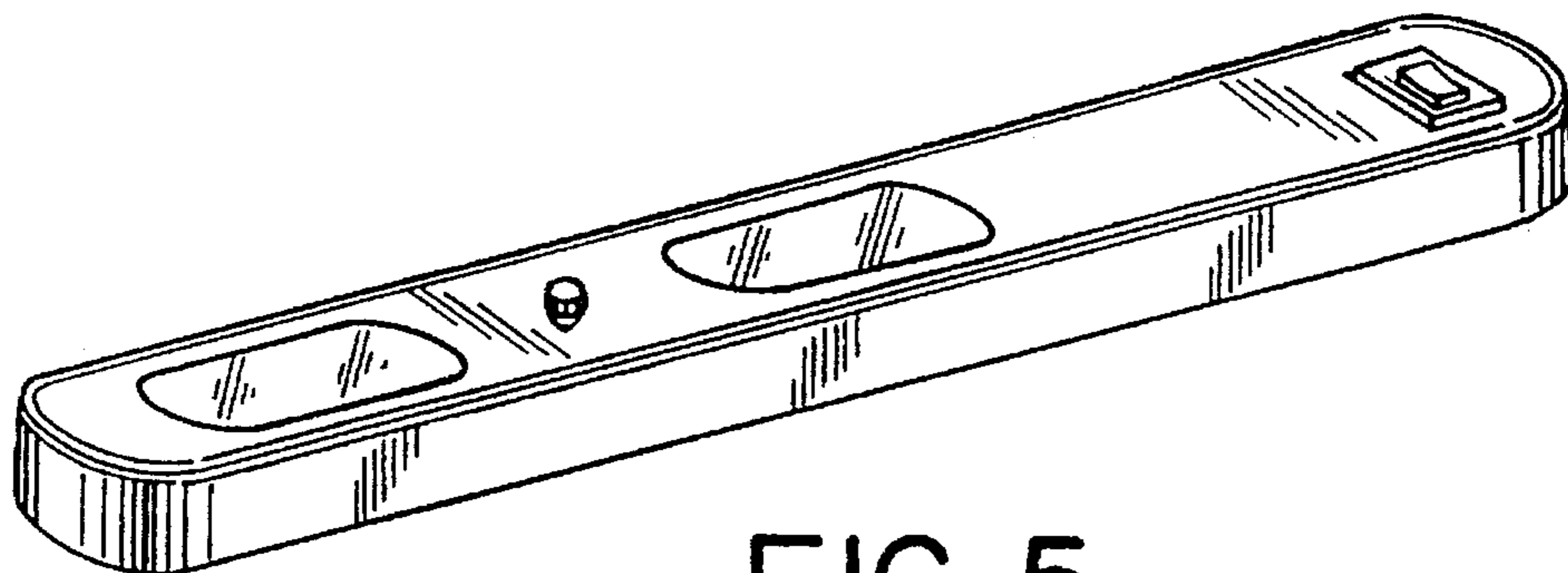


FIG. 5

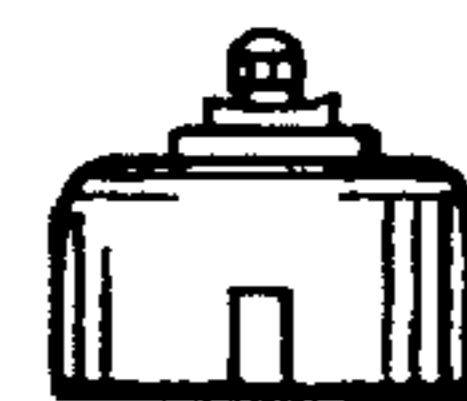


FIG. 8

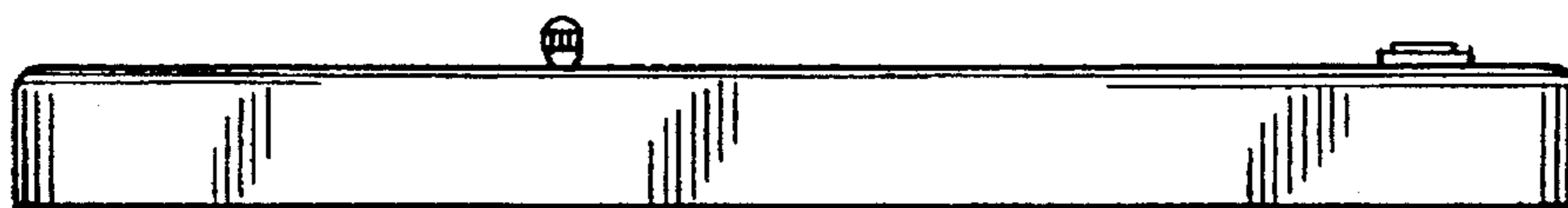


FIG. 6

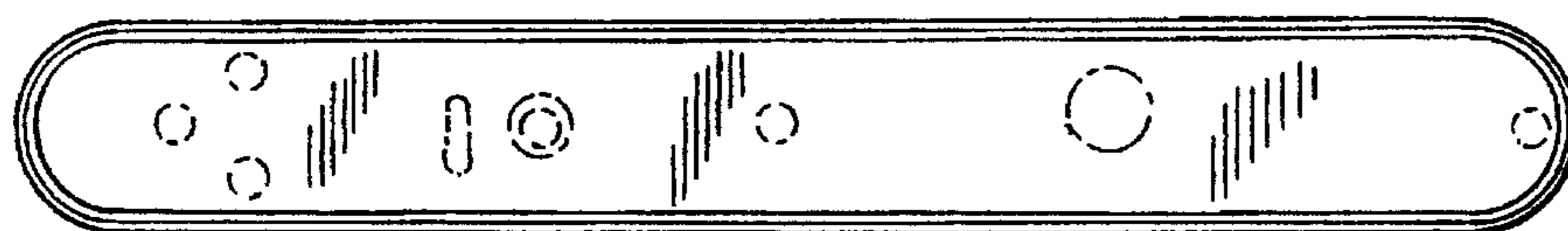


FIG. 7