



US00D374736S

United States Patent [19] DeWinter

[11] Patent Number: **Des. 374,736**

[45] Date of Patent: ****Oct. 15, 1996**

[54] WALL MOUNTED LIGHTING FIXTURE

[75] Inventor: **Koen DeWinter**, Beaconsfield, Canada

[73] Assignee: **Axis Lighting, Inc.**, Montreal, Canada

[**] Term: **14 Years**

[21] Appl. No.: **15,370**

[22] Filed: **Nov. 16, 1993**

[52] U.S. Cl. **D26/72**

[58] Field of Search D26/72, 80-92;
362/147, 432, 404-408, 227, 240

[56] References Cited

U.S. PATENT DOCUMENTS

D. 295,086	4/1988	Morten	D26/88 X
D. 330,945	11/1992	Newstadt	D26/88 X
1,651,640	12/1927	Spencer	362/240

OTHER PUBLICATIONS

Dana Lite, Low Voltage Linear System Lighting Catalg, Front Cover, Lighting Fixture. Residential Lighting Magazine Advertisement—Jun. 1993.

Primary Examiner—Susan J. Lucas
Attorney, Agent, or Firm—Darby & Darby, P.C.

[57] CLAIM

The ornamental design for a wall mounted lighting fixture, as shown and described.

DESCRIPTION

FIG. 1 is a top perspective view of the wall mounted lighting fixture of the present invention;

FIG. 2 is a bottom perspective view of the wall mounted lighting fixture of the present invention;

FIG. 3 is a top view of the wall mounted lighting fixture of the present invention;

FIG. 4 is a bottom view of the wall mounted lighting fixture of the present invention;

FIG. 5 is a side view of the wall mounted lighting fixture of the present invention with a cover glass installed;

FIG. 6 is an end view of the wall mounted lighting fixture of the present invention without a cover glass installed;

FIG. 7 is an end view of the wall mounted lighting fixture of the present invention;

FIG. 8 is a side view of the wall mounted lighting fixture of the present invention;

FIG. 9 is a bottom plan view of the second embodiment of the wall mounted lighting fixture of the present invention, said embodiment having no glass cover;

FIG. 10 is a side view of the second embodiment of the wall mounted lighting fixture of the present invention;

FIG. 11 is an end view of the second embodiment of the wall mounted lighting fixture of the present invention;

FIG. 12 is an end view of the second embodiment of the wall mounted lighting fixture of the present invention; and,

FIG. 13 is a side view of the second embodiment of the wall mounted lighting fixture of the present invention.

The top of the second embodiment is identical to that of the first embodiment.

1 Claim, 5 Drawing Sheets

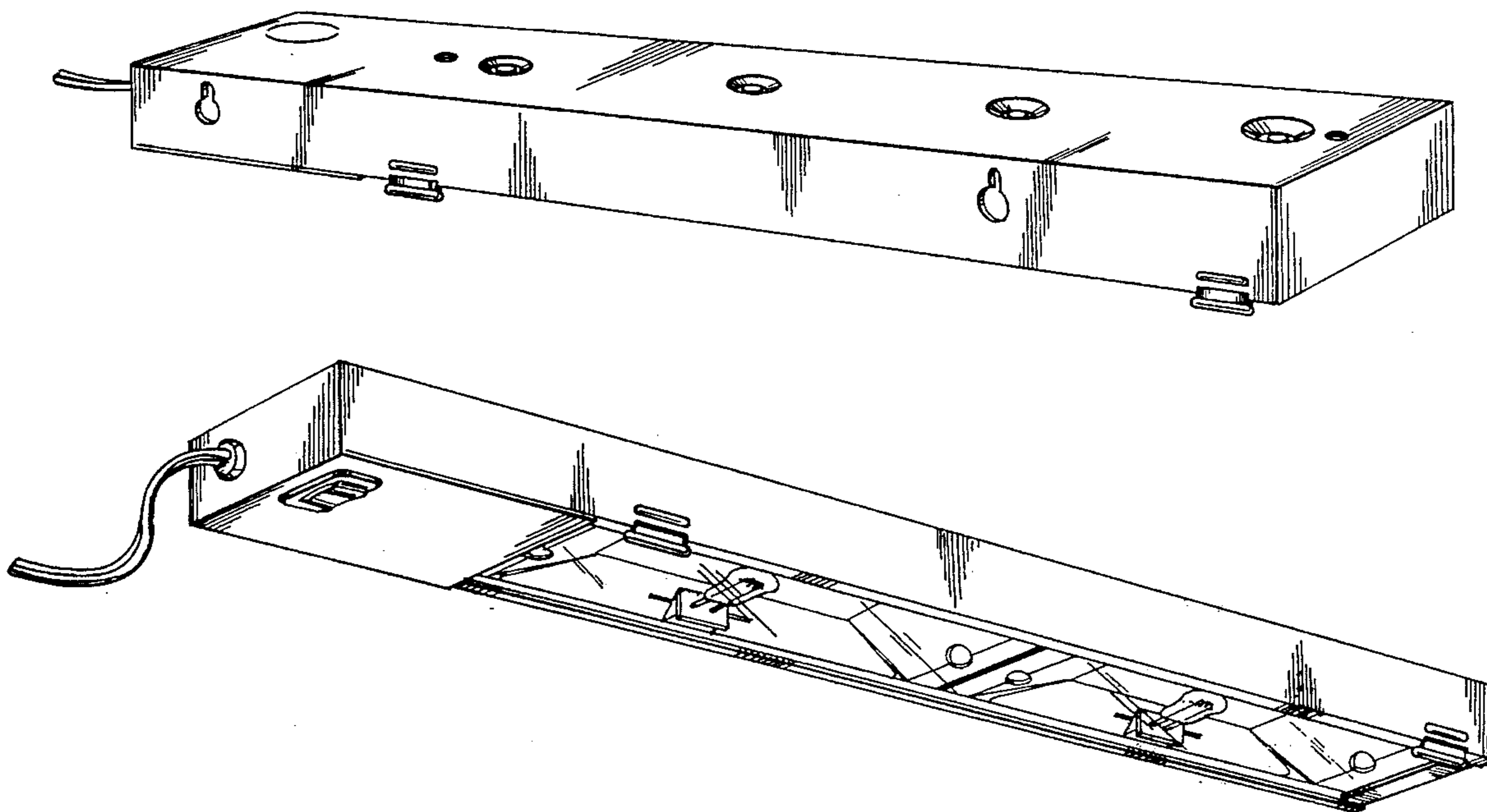


FIG. 1

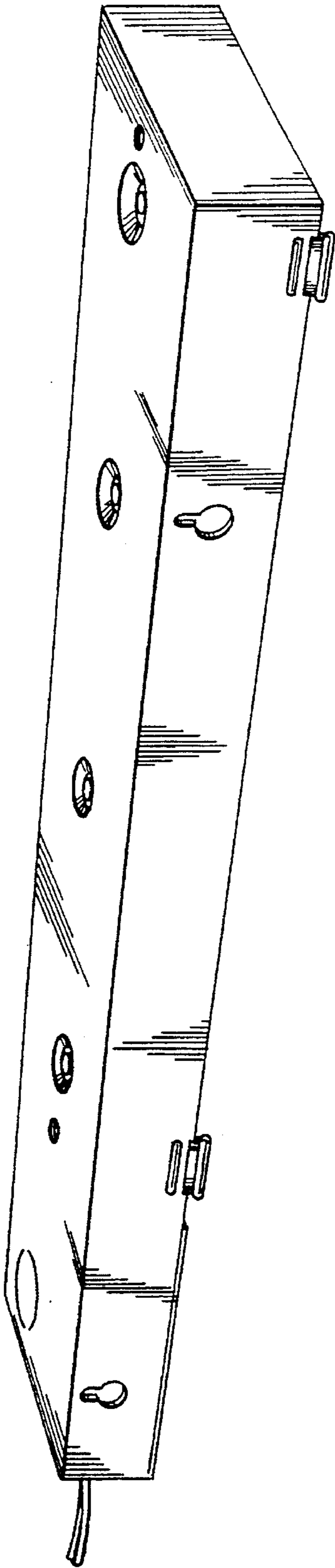


FIG. 2

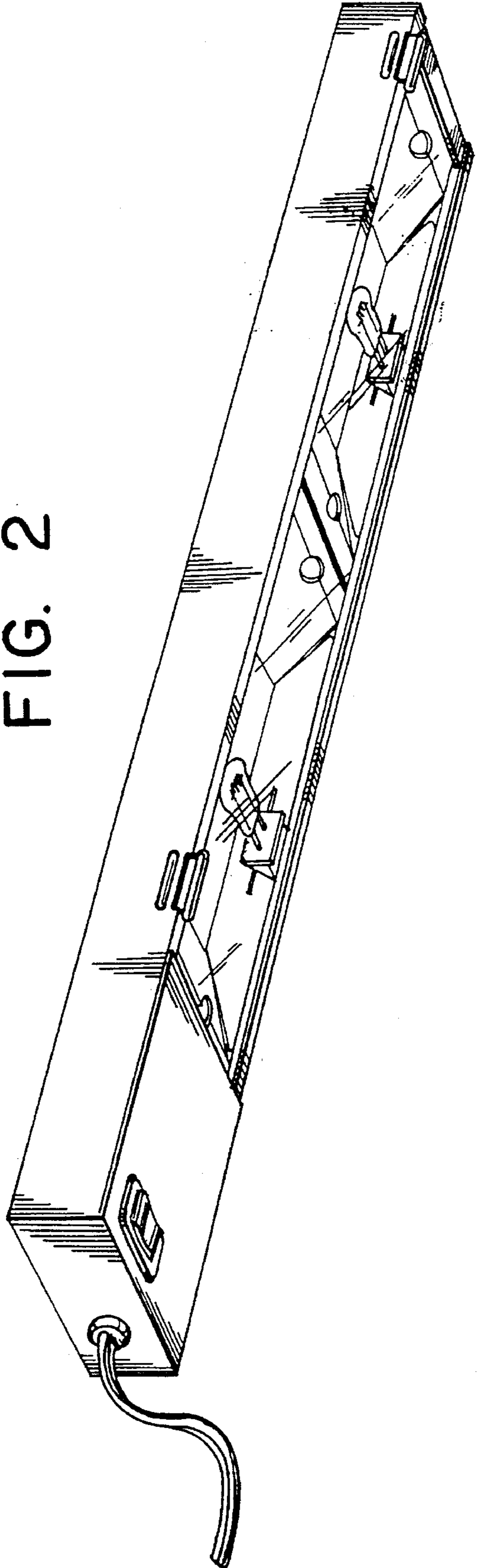


FIG. 3

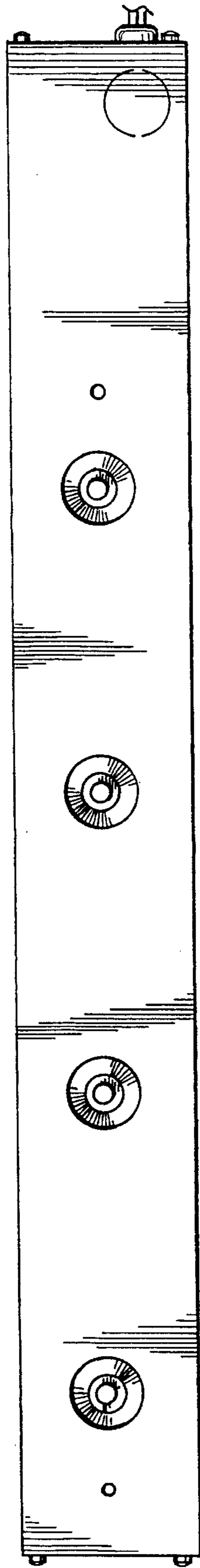


FIG. 4

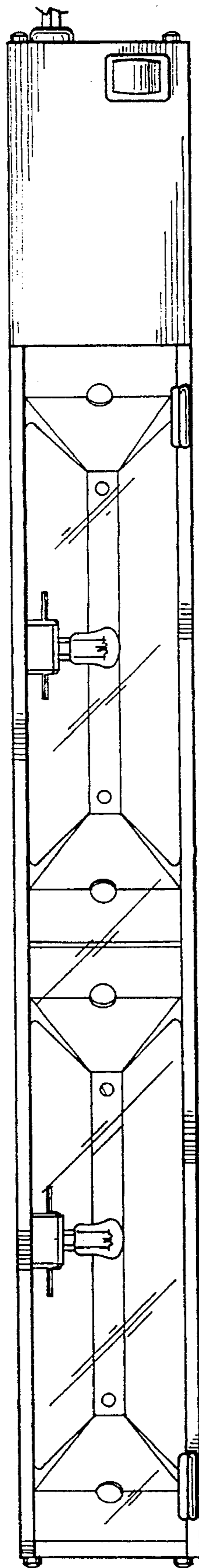


FIG. 5

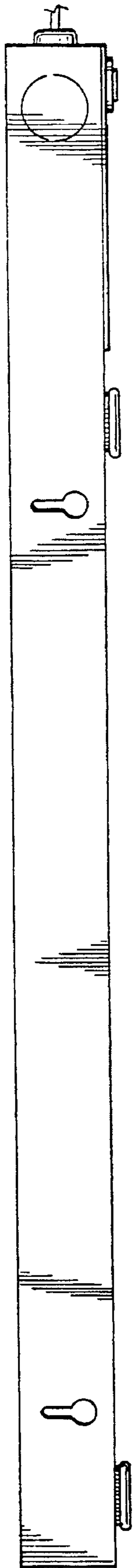


FIG. 6

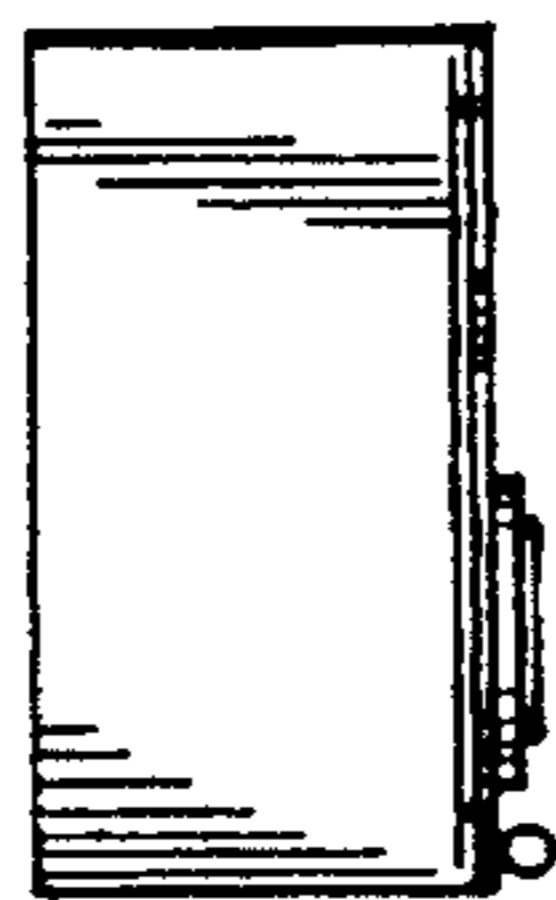


FIG. 7

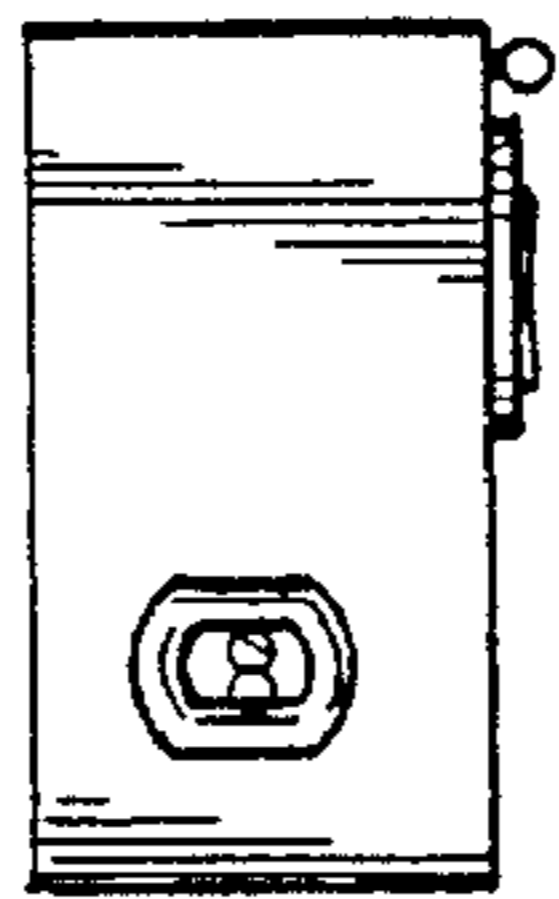


FIG. 8

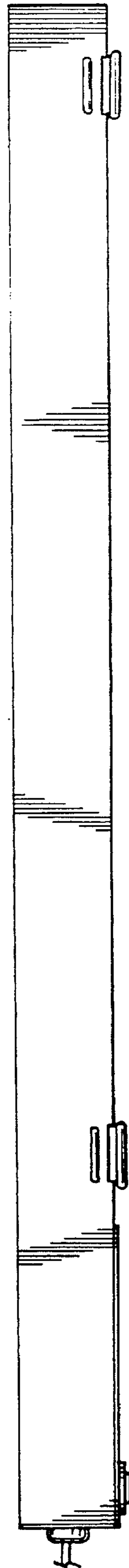


FIG. 9

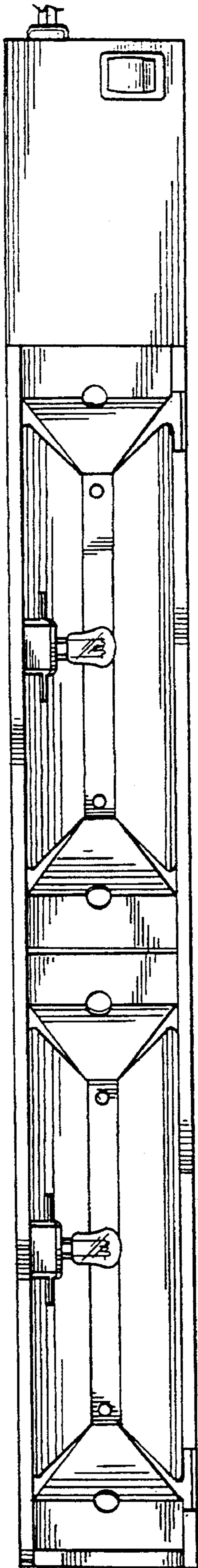


FIG. 10

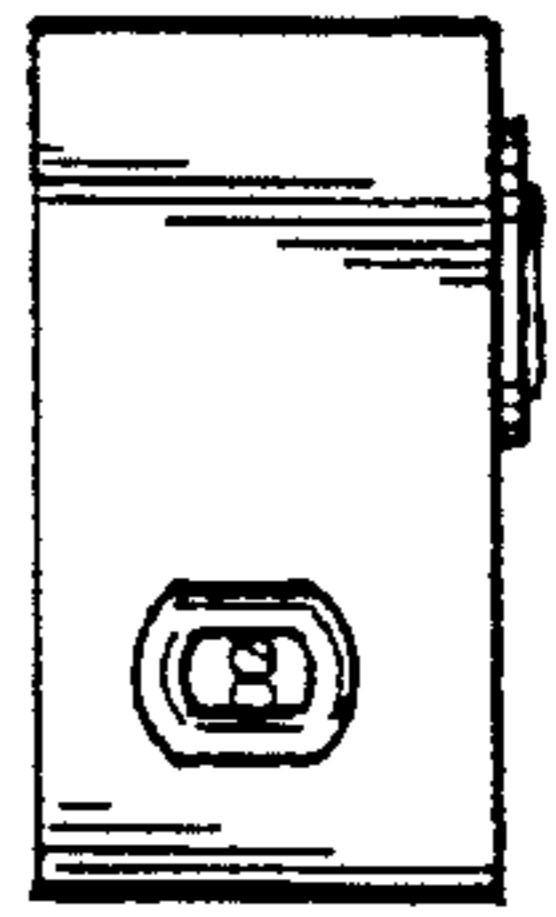
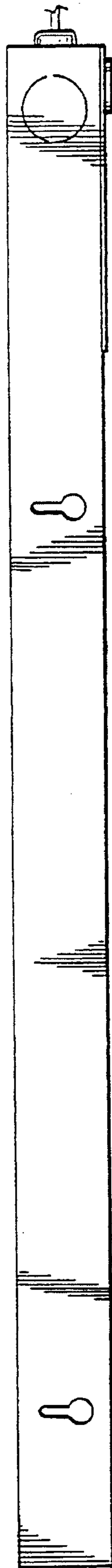


FIG. 11

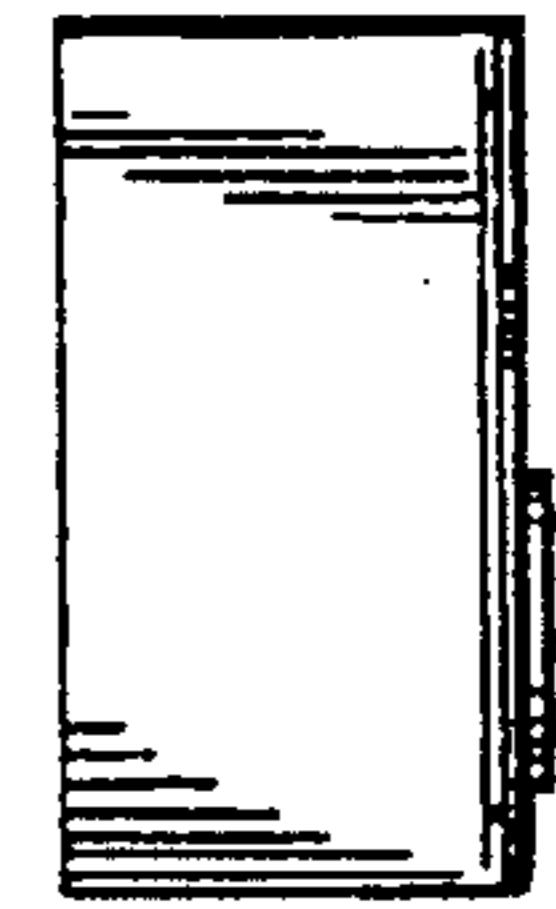


FIG. 12

FIG. 13

