



US00D374735S

United States Patent [19]
Huang

[11] **Patent Number: Des. 374,735**
[45] **Date of Patent: **Oct. 15, 1996**

[54] **DUAL SWING ARM LAMP**

[76] **Inventor: Thomas M. Huang, 5649 N. Peck Rd., Arcadia, Calif. 91006**

[**] **Term: 14 Years**

[21] **Appl. No.: 33,999**

[22] **Filed: Jan. 25, 1995**

[52] **U.S. Cl. D26/65; D26/102**

[58] **Field of Search D26/63, 93, 102-112; 362/12, 18, 418, 419, 427, 269, 431, 410-414**

[56] **References Cited**

U.S. PATENT DOCUMENTS

D. 105,588	8/1937	Korengold	D26/65
D. 347,904	6/1994	Swanson	D26/102
3,089,028	5/1963	Klampferer	D26/63
4,726,552	2/1988	Warsawsky	362/427
5,424,931	6/1995	Wheeler	362/427

OTHER PUBLICATIONS

Stilnovo, ©1983, p. 25, "Bulbo" No. 40052.
Electrix Co. Cat. p. 2, Halogen Swingarm Floor Lamp No. 4505.
Home Lighting & Accessories, Jul. 1993, p. 53, Flex. Floor Lamp.

Primary Examiner—Kay H. Chin
Attorney, Agent, or Firm—Danton K. Mak; Sheldon & Mak, Inc.

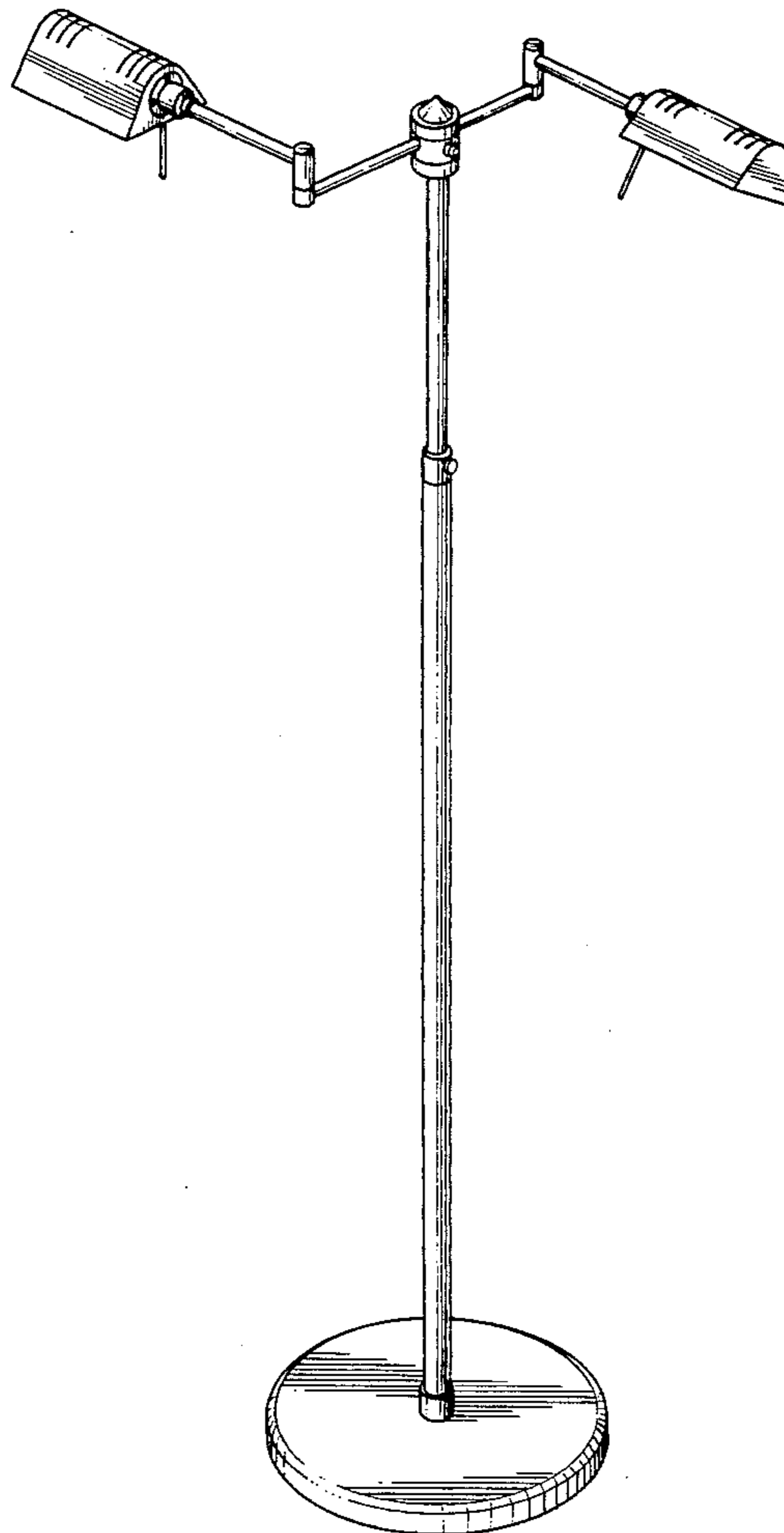
[57] **CLAIM**

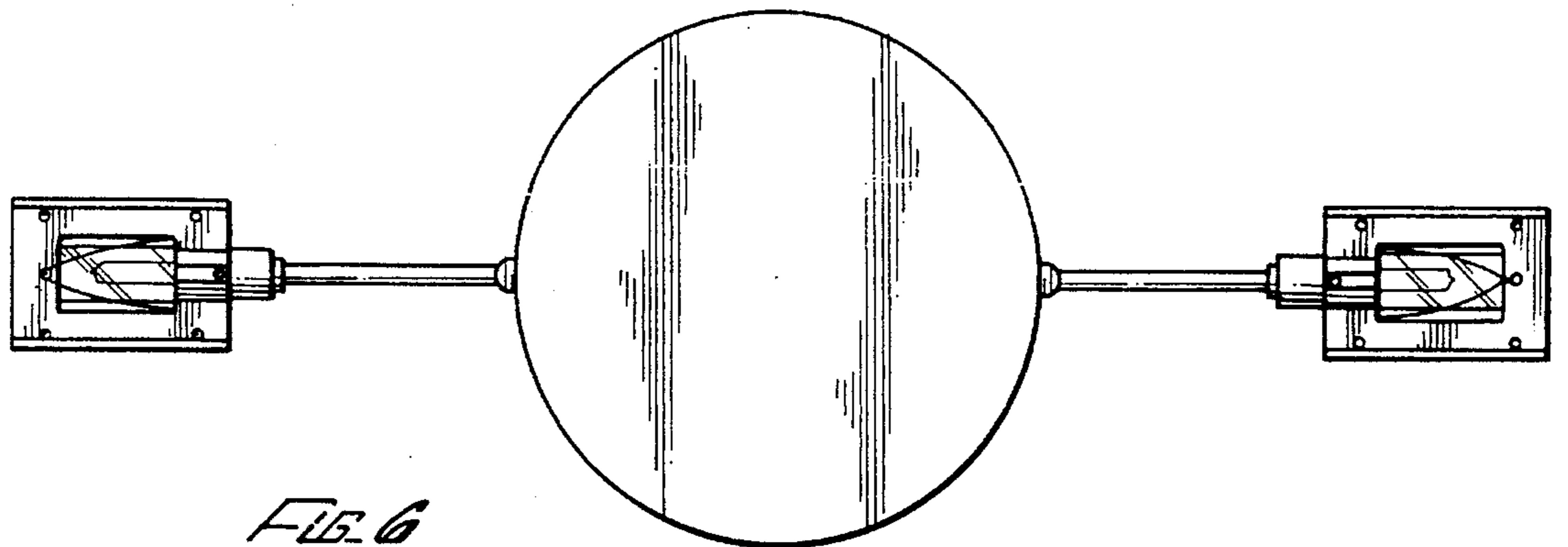
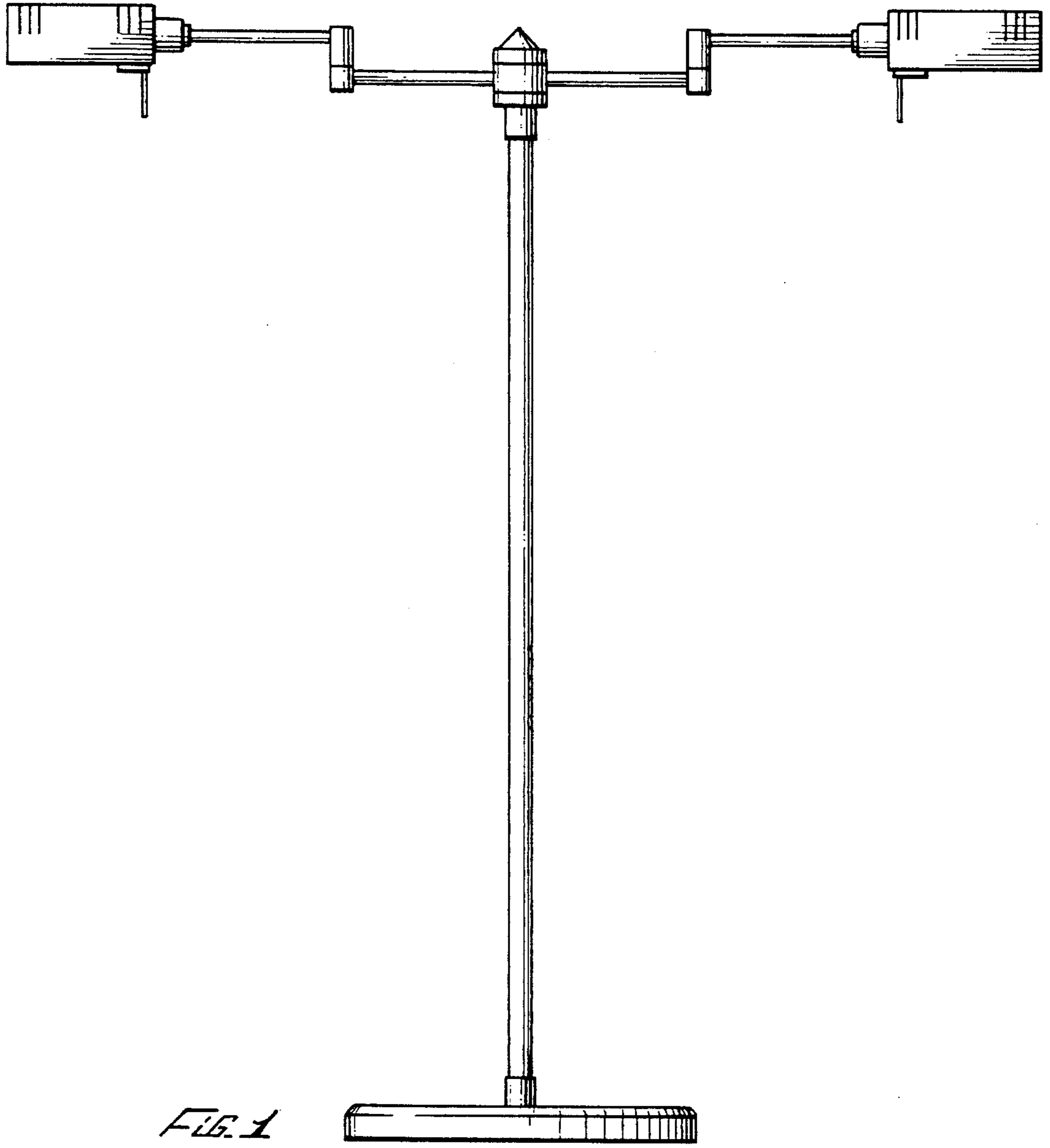
The ornamental design for a dual swing arm lamp, as shown and described.

DESCRIPTION

FIG. 1 is a front elevational view of a dual swing arm lamp of my invention;
FIG. 2 is a rear elevational view thereof, with arms fully extended;
FIG. 3 is a left elevational view thereof, with arms fully extended;
FIG. 4 is a right elevational view thereof, with arms fully extended;
FIG. 5 is a top plan view thereof, with arms fully extended;
FIG. 6 is a bottom view thereof, with arms fully extended; and,
FIG. 7 is a perspective view thereof, showing the swing arms in about right angle juxtaposition with the lamp, one of the two lamp shades swivelled at an angle to the horizontal, and the lamp post in a partially extended position.

1 Claim, 3 Drawing Sheets





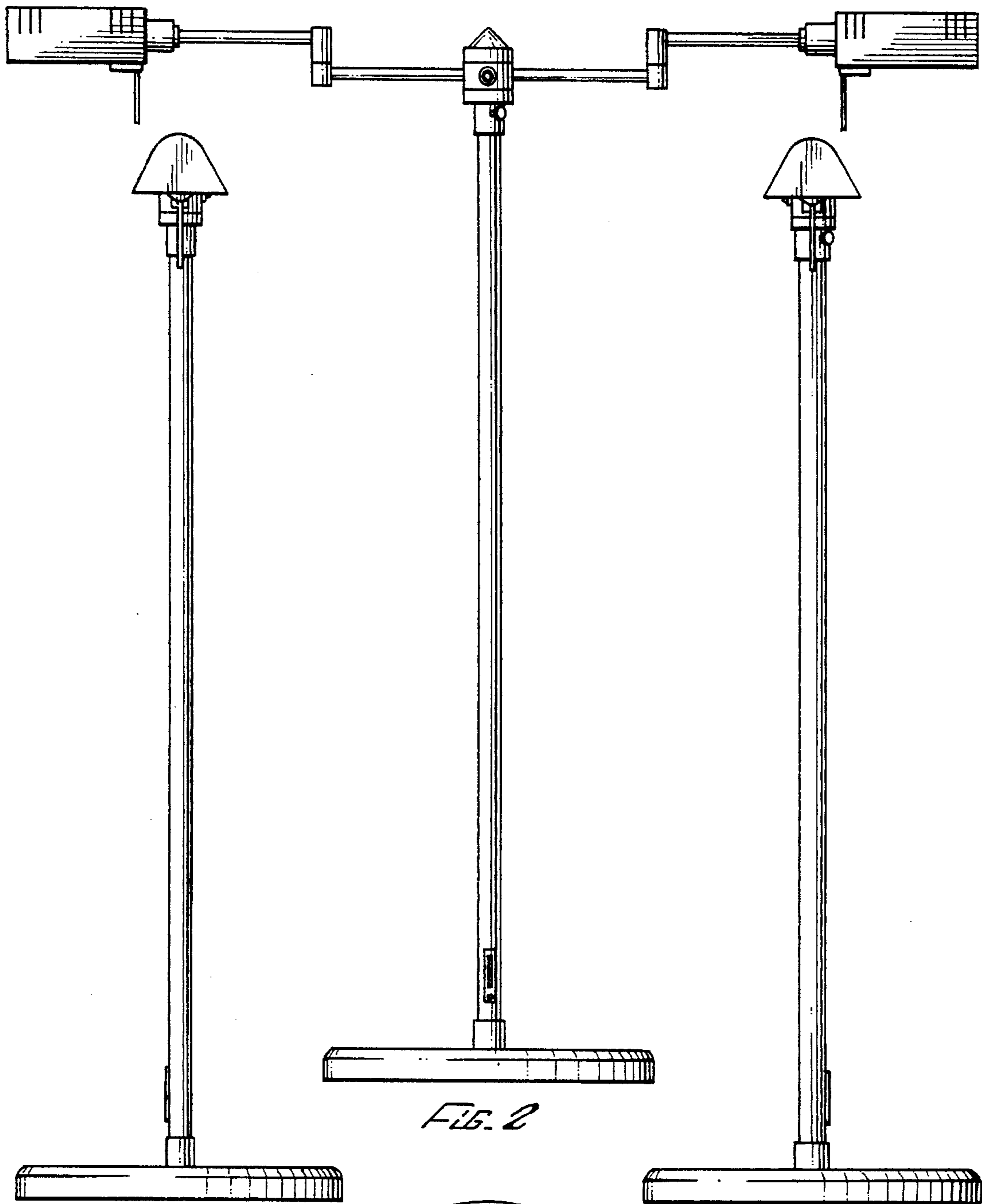


FIG. 2

FIG. 4

FIG. 3

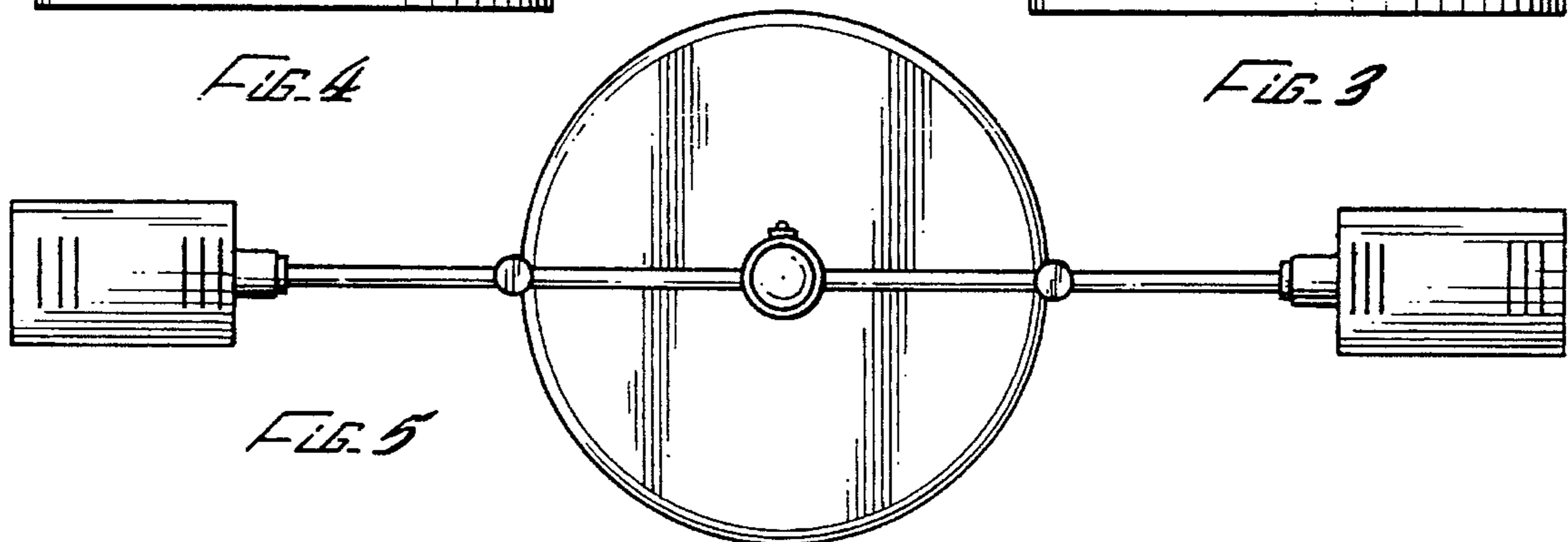


FIG. 5

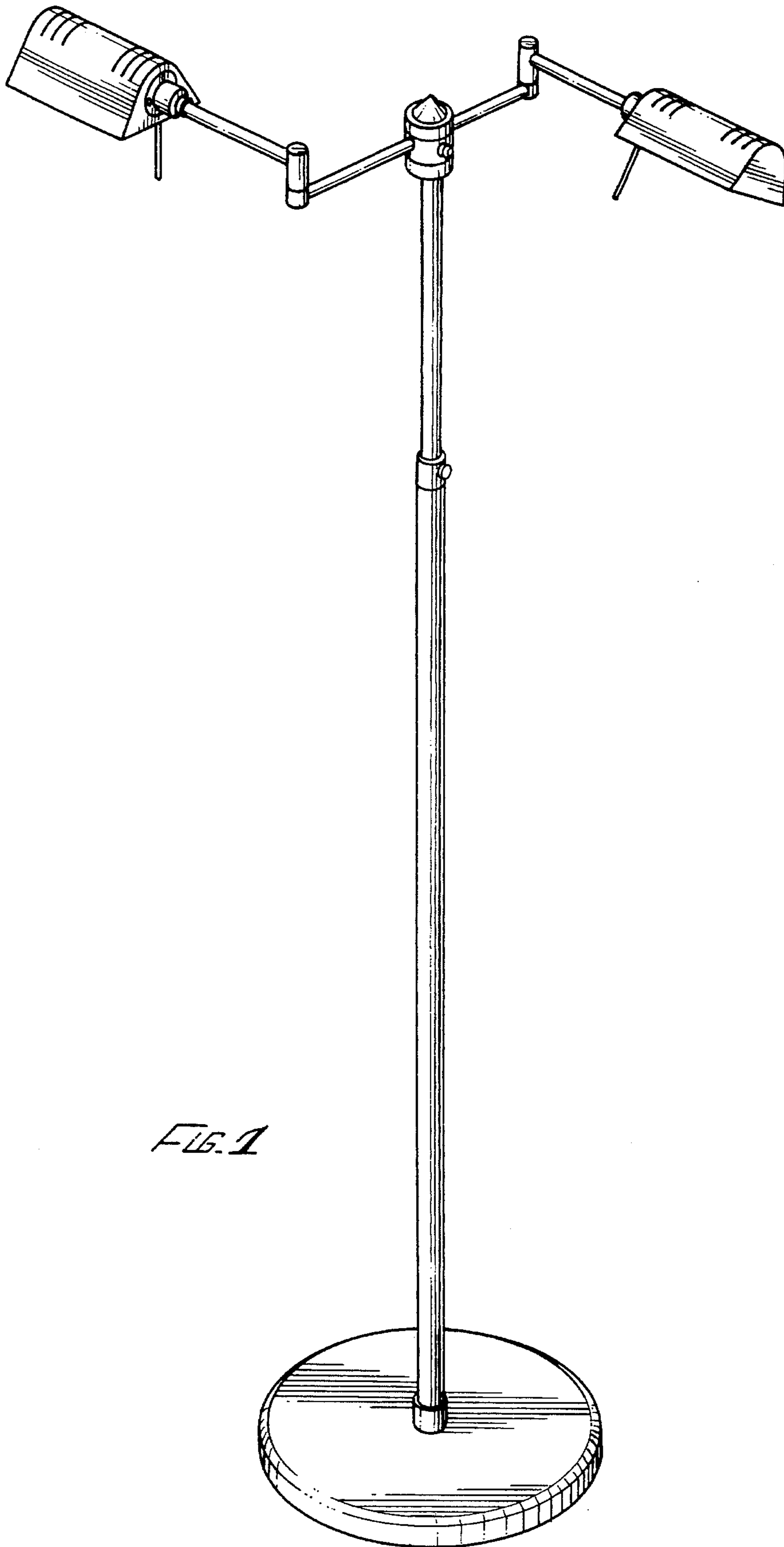


FIG. 1