



US00D374732S

United States Patent [19]
Kaiser

[11] **Patent Number: Des. 374,732**

[45] **Date of Patent: **Oct. 15, 1996**

[54] **HEAD FOR A FLEXIBLE FLASHLIGHT**

[75] Inventor: **David W. Kaiser**, North Haven, Conn.

[73] Assignee: **Black & Decker Inc.**, Newark, Del.

[**] Term: **14 Years**

[21] Appl. No.: **37,606**

[22] Filed: **Apr. 17, 1995**

[52] **U.S. Cl.** **D26/43**

[58] **Field of Search** D26/37, 42, 43,
D26/46, 49, 60; 362/157, 158, 184, 189-191,
196, 198, 202-205, 207, 208

[56] **References Cited**

U.S. PATENT DOCUMENTS

D. 147,258	8/1947	Becker	D26/43
D. 166,073	3/1952	Dunkelberger	D26/43
D. 314,246	1/1991	Bache	D26/62
D. 320,463	10/1991	Petterson et al.	D26/37
D. 363,563	10/1995	Yuen	D26/42

FOREIGN PATENT DOCUMENTS

685931	8/1986	Japan	D26/43
--------	--------	-------	-------	--------

Primary Examiner—A. Hugo Word
Assistant Examiner—Lavone Tabor
Attorney, Agent, or Firm—Barry E. Deutsch

[57] **CLAIM**

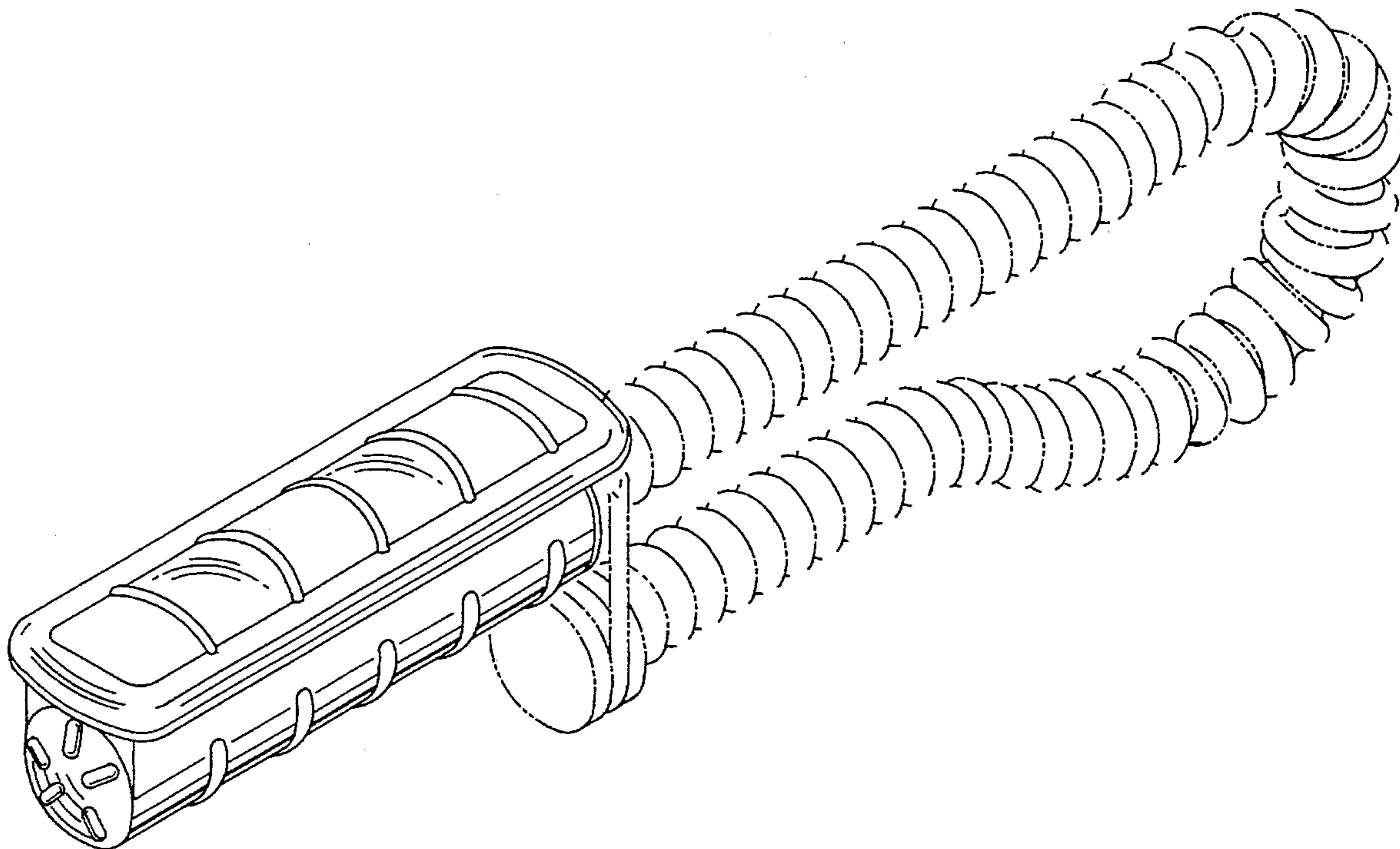
The ornamental design for a head for a flexible flashlight, as shown and described.

DESCRIPTION

FIG. 1 is a perspective view taken from the front, top and right side of a head for a flexible flashlight illustrating my new design, the portion shown in phantom is illustrative of a flexible core to which my new design may be attached; FIG. 2 is a top plan view thereof; FIG. 3 is a bottom plan view thereof; FIG. 4 is a front elevational view thereof; FIG. 5 is a rear elevational view thereof; FIG. 6 is a right side elevational view thereof; and, FIG. 7 is a left side elevational view thereof.

The broken lines are for illustrative purposes only and form no part of the claimed design.

1 Claim, 3 Drawing Sheets



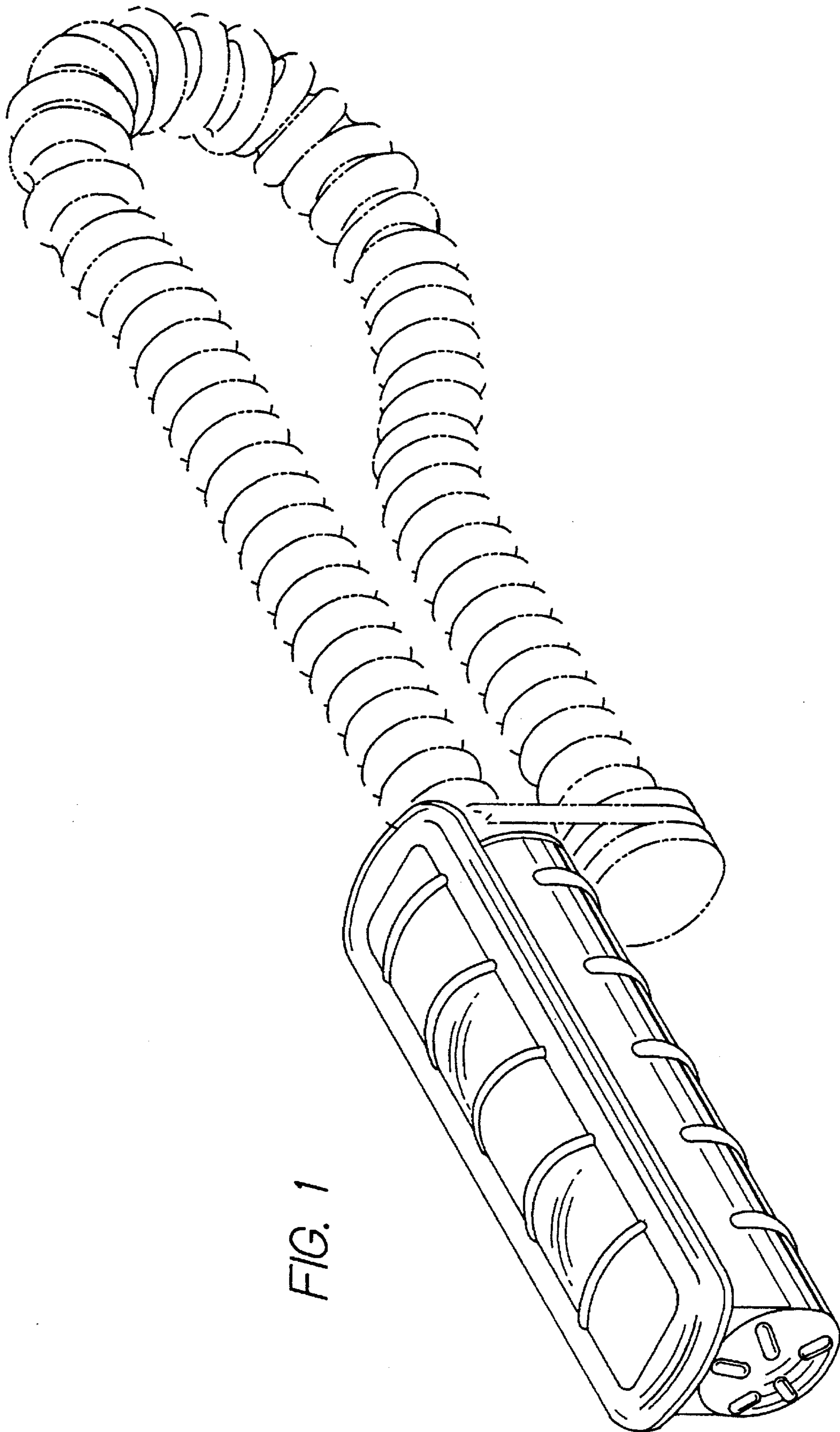


FIG. 1

FIG. 2

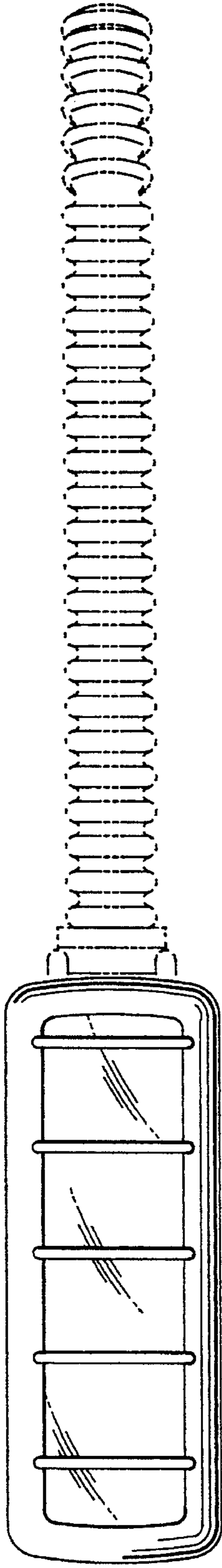


FIG. 3

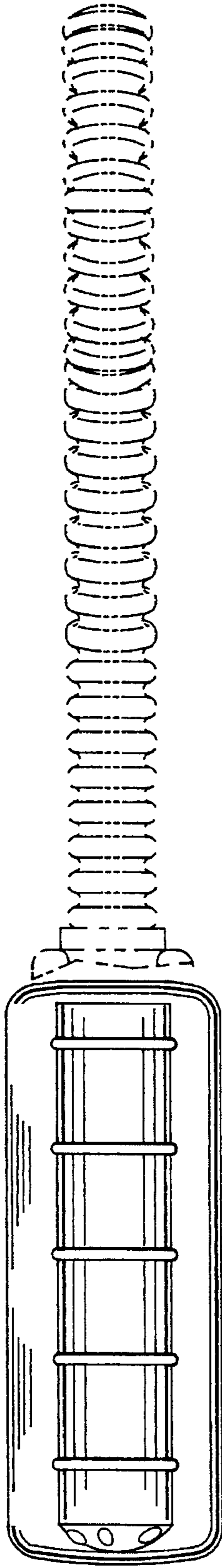


FIG. 4

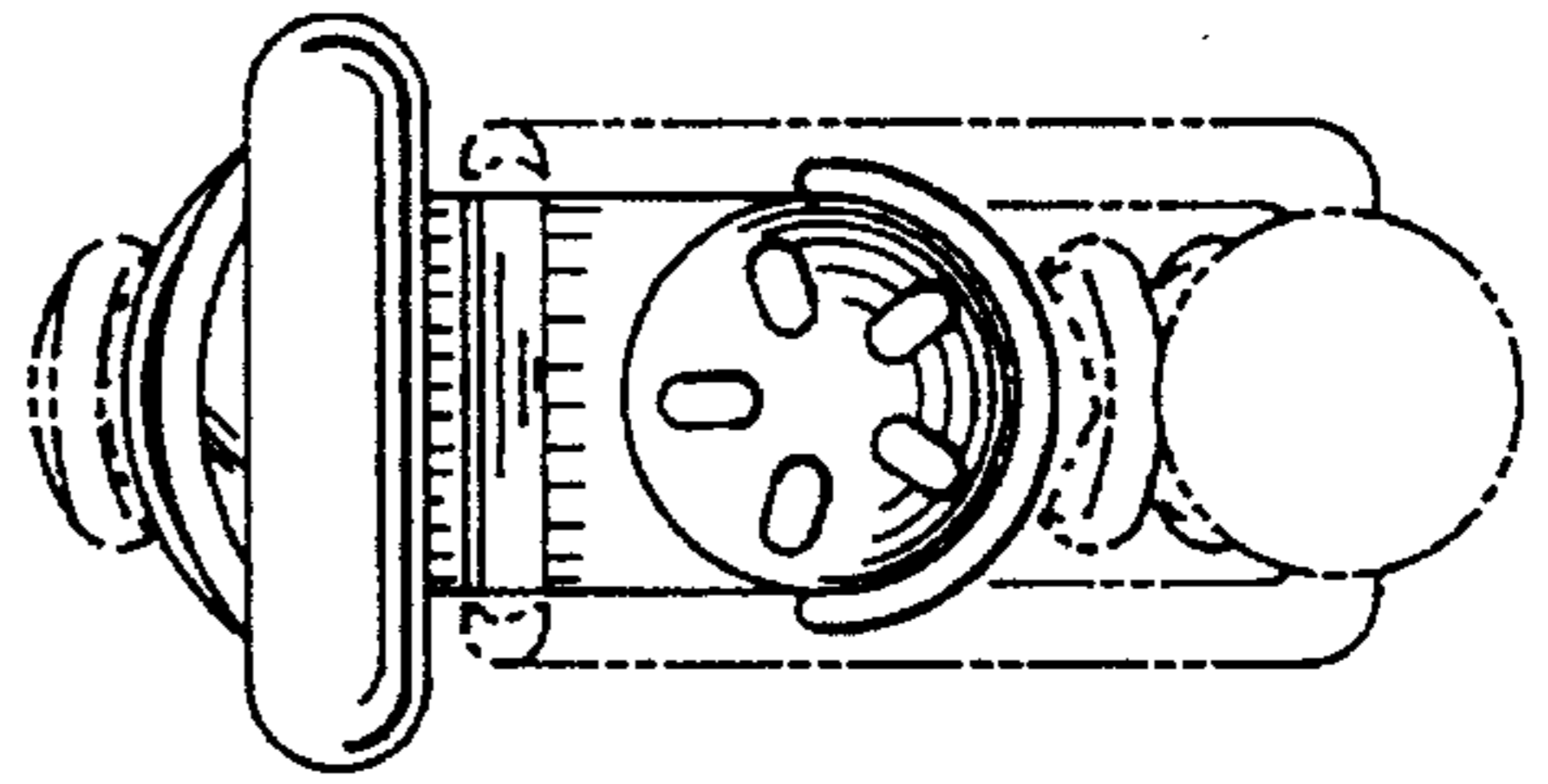


FIG. 5

